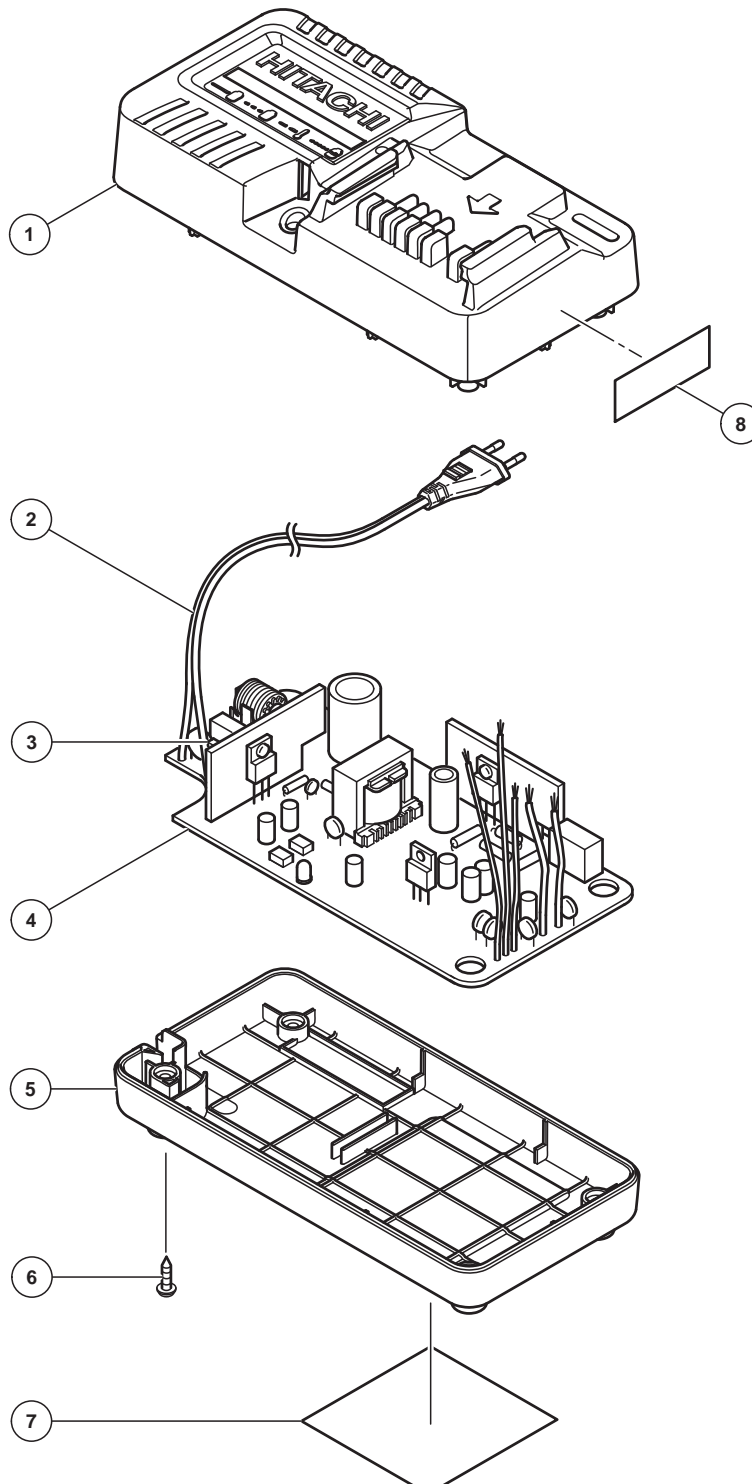


ELECTRIC TOOL PARTS LIST

■ CHARGER
Model UC 18YKSL

2014·1·24
(E1)



PARTS

UC 18YKSL

ITEM NO.	CODE NO.	DESCRIPTION	NO. USED	REMARKS	
1	336591	CASE (A)	1		
* 2	336595	CORD (EUROPE)	1		
* 2	336596	CORD (U.K)	1	FOR GBR,UAE,HKG,SAU	
* 2	336598	CORD (KOREA)	1	FOR SIN,VIE,IND,KOR	
* 2	336597	CORD (N.Z)	1	FOR AUS,NZL	
* 2	336594	CORD (USA)	1	FOR USA,CAN	
* 2	336600	CORD (BRAZIL)	1	FOR BRA	
* 2	336601	CORD (CHINA)	1	FOR CHN	
* 2	336599	CORD (TAIWAN)	1	FOR TPE	
3	332540	FUSE (T3.15A/250V)	1		
* 4	336603	PRINTED CIRCUIT BOARD ASS'Y 100V-110V	1	INCLUD.3	
* 4	336604	PRINTED CIRCUIT BOARD ASS'Y 120V-127V	1	INCLUD.3	
* 4	336605	PRINTED CIRCUIT BOARD ASS'Y 220V-240V	1	INCLUD.3	
* 5	336593	CASE (B)	1		
* 5	336592	CASE (B)	1	FOR USA,CAN	
6	326358	TAPPING SCREW (W/FLANGE) D3 X 18	4		
* 7		NAME PLATE	1	EXCEPT FOR USA,CAN	
* 8		NAME PLATE	1	FOR AUS,NZL	