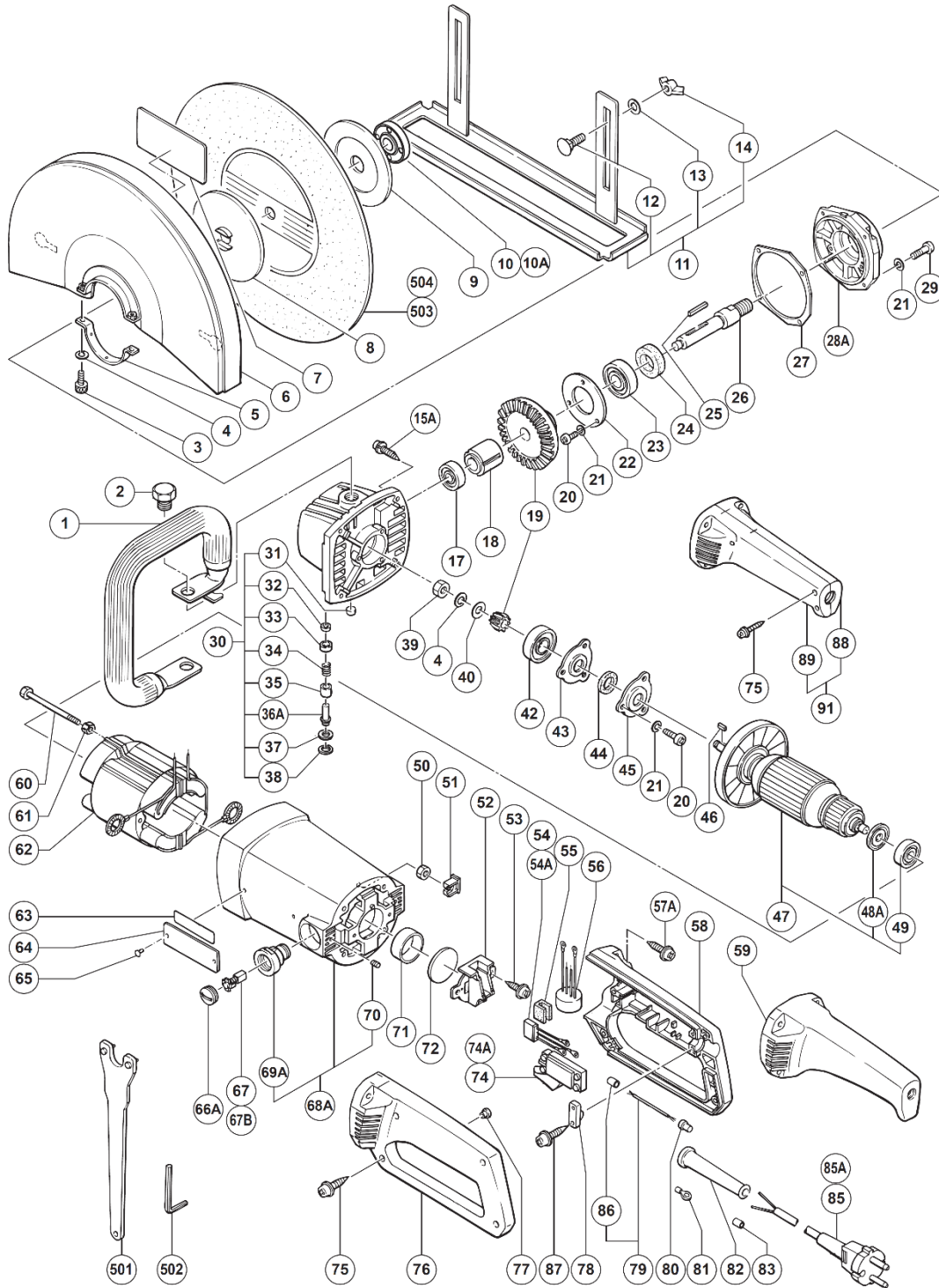


ELECTRIC TOOL PARTS LIST

■ PORTABLE CUT-OFF MACHINE
Model CC 12Y

2019 • 03 • 26
(E4a)



Rev.5
8.3.2019

MODEL CC 12Y

PARTS

CC12Y

ITEM NO.	CODE NO.	DESCRIPTION	NO. USED	REMARKS
1	985598	PIPE HANDLE	1	
2	985597	BOLT M14	2	
3	949656	HEX. SOCKET HD. BOLT M8X20 (10 PCS.)	2	
4	949457	SPRING WASHER M8 (10 PCS.)	3	
5	985599	SET RING (A)	1	
6	985594	WHEEL GUARD	1	
7	985604	LABEL	1	
*8	985600	WHEEL WASHER (D16/25.4)	1	FOR USA.CAN.AUS
9	985593	INNER WASHER	1	
*10	937923P	WHEEL NUT 5/8"-11UNC	1	FOR USA.CAN.AUS
11	985595	BASE ASS'Y	1	INCLUD.12-14
12	985596	BOLT (SQUARE) M8	2	
13	949433	BOLT WASHER M8 (10 PCS.)	2	
14	949312	WING NUT M8 (10 PCS.)	2	
15A	937807	TAPPING SCREW D5X25	4	
17	6200VV	BALL BEARING 6200VVCMP2L	1	
18	938096	SLEEVE	1	
19	985590	GEAR AND PINION ASS'Y	1	
20	949236	MACHINE SCREW M5X10 (10 PCS.)	6	
21	949454	SPRING WASHER M5 (10 PCS.)	10	
22	937035	BEARING COVER (B)	1	
23	6302VV	BALL BEARING 6302VVCMP2L	1	
24	938099	FELT PACKING (B)	1	
25	948920	FEATHER KEY 4X4X30	1	
*26	985615	SPINDLE	1	5/8"-11UNC FOR USA.CAN.AUS
27	937901	SEAL PACKING (B)	1	
28A	937902	PACKING GLAND	1	
29	949239	MACHINE SCREW M5X16 (10 PCS.)	4	
30	938187	GEAR COVER ASS'Y	1	INCLUD.31-38
31	937033	FELT WASHER	1	
32	938599	FELT PACKING (C)	1	
33	938598	BUSHING	1	
34	938597	SPRING	1	
35	938596	RING	1	
36A	938094	LOCK PIN	1	
37	938595	DUST SEAL	1	
38	948011	RETAINING RING FOR D16 HOLE	1	
39	949568	LOCK NUT M8 (10 PCS.)	1	
40	949426	WASHER M8 (10 PCS.)	1	
42	6301VV	BALL BEARING 6301VVCMP2L	2	
43	937940	DISTANCE PLATE	1	
44	936853	FELT PACKING (A)	1	
45	937896	BEARING COVER (A)	1	
46	940533	FEATHER KEY 3X3X10	1	
*47	985602U	ARMATURE ASS'Y 110V-127V	1	INCLUD.42.48A.49
48A	310998	DUST SEAL	1	
49	6200VV	BALL BEARING 6200VVCMP2L	1	
50	949555	NUT M5 (10 PCS.)	2	
51	937892	NUT COVER	2	
*52	937905	BEARING COVER	1	
53	930446	TAPPING SCREW (W/WASHER) D4X16	3	
57A	985620	TAPPING SCREW (W/FLANGE) D5X25	4	
*59	981686P	HANDLE (C)	1	BAR HANDLE TYPE FOR USA.CAN
60	937925	BOLT (+HD.) M5X80	2	
61	956764	SPECIAL WASHER	2	
*62	981682D	STATOR ASS'Y 110V-127V	1	FOR USA.CAN
63		CAUTION PLATE	1	
64		NAME PLATE	1	
65	949510	RIVET D2.5X4.8 (10 PCS.)	2	
*66A	371118	BRUSH CAP	2	
*67	999044	CARBON BRUSH (1 PAIR)	2	
*67B	999086	CARBON BRUSH (AUTO STOP TYPE) (1 PAIR)	2	
*68A	985612	HOUSING ASS'Y	1	INCLUD.69A.70

STANDARD ACCESSORIES

CC12Y

ITEM NO.	CODE NO.	DESCRIPTION	NO. USED	REMARKS
501	985607	WRENCH	1	
502	872422	HEX. BAR WRENCH 6MM	1	
*503	985608	CUT-OFF WHEEL FOR METAL D25.4 (10 PCS.)	1	FOR USA.CAN.AUS
*504	985610	CUT-OFF WHEEL FOR STONE D25.4 (10 PCS.)	1	FOR USA.CAN.AUS

OPTIONAL ACCESSORIES

ITEM NO.	CODE NO.	DESCRIPTION	NO. USED	REMARKS
601	937915	THRUST WASHER (B)	2	
*602	985618	DIAMOND WHEEL (SEGMENT) 305MM-D22.2 HOLE	1	SEGMENT TYPE FOR CONCRETE
*603	985619	DIAMOND WHEEL (SEGMENT) 305MM-D22.2 HOLE	1	WAVE SHAPE TYPE FOR CONCRETE
*604	306433	DIAMOND WHEEL (SEGMENT) 305MM-D25.4 HOLE	1	SEGMENT TYPE FOR CONCRETE
*605	306434	DIAMOND WHEEL (SEGMENT) 305MM-D25.4 HOLE	1	WAVE SHAPE TYPE FOR CONCRETE

