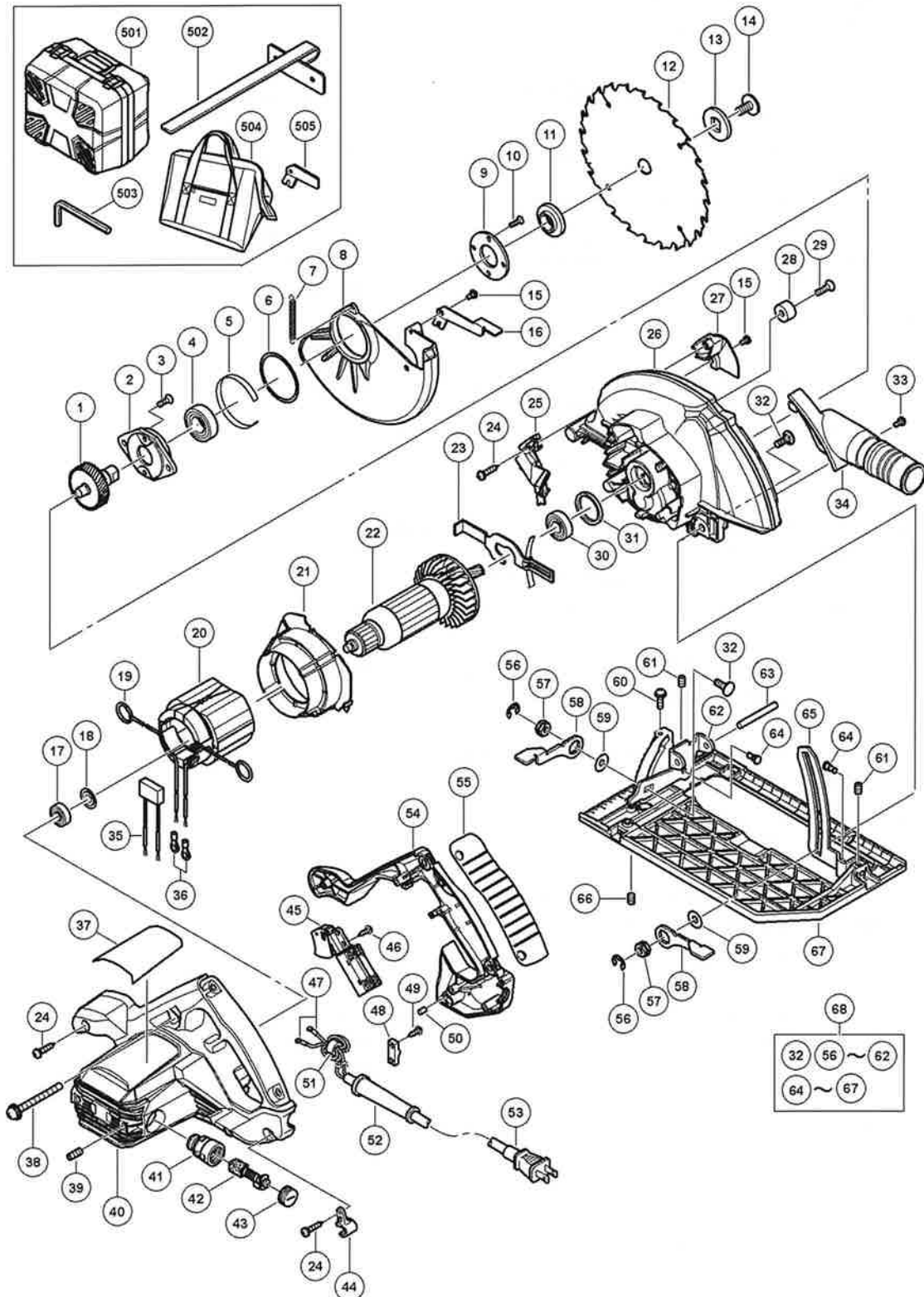


## ELECTRIC TOOL PARTS LIST

**CIRCULAR SAW**  
**Model C 7SB3**

**2017·9·29**  
**(E1)**



## PARTS

C 7SB3

ITEM NO.	CODE NO.	DESCRIPTION	NO. USED	REMARKS
1	372751	SPINDLE AND GEAR SET	1	
2	302433	BEARING HOLDER	1	
3	992013	SEAL LOCK FLAT HD. SCREW M5 X 14	2	
4	6003VV	BALL BEARING 6003VVCMP2L	1	
5	998887	LINER	1	
6	370591	WASHER	1	
7	373011	RETURN SPRING	1	
8	372758	LOWER GUARD	1	
9	302435	BEARING COVER	1	
10	990430	SEAL LOCK FLAT HD. SCREW M4 X 10	2	
*	11	320970	WASHER (A)	1
*	11	321639	WASHER (A)	1 FOR AUS,NZL
*	11	324597	WASHER (A)	1 FOR GBR
*	12		TCT SAW BLADE 184MM-D16 HOLE-NT24	1
*	12	372102	TCT SAW BLADE 185MM-D16 HOLE-NT24	1 FOR MEX,PAN
*	12	302411	TCT SAW BLADE 185MM-D20 HOLE-NT18	1 FOR AUS,NZL
*	12	302412	TCT SAW BLADE 185MM-D30 HOLE-NT18	1 FOR GBR
*	13	333555	WASHER (B)	1
*	13	333556	WASHER (B)	1 FOR GBR
14	324662	HEX. SOCKET HD. BOLT M8 X 15.5	1	
15	935196	MACHINE SCREW (W/WASHERS) M4 X 12 (BLACK)	2	
16	328045	LEVER	1	
17	608VVM	BALL BEARING 608VVC2PS2L	1	
18	982631	WASHER (A)	1	
19	930703	BRUSH TERMINAL	2	
*	20	340982C	STATOR ASS'Y 120V	1 INCLUD.19,36
*	20	340982B	STATOR ASS'Y 110V (W/NOISE SUPPRESSOR)	1 INCLUD.19,35,36
*	20	340982E	STATOR ASS'Y 230-240V (W/NOISE SUPPRESSOR)	1 INCLUD.19,35,36
21	372743	FAN GUIDE	1	
*	22	361073U	ARMATURE ASS'Y 110V-120V	1 INCLUD.17,18,30
*	22	361073E	ARMATURE 230V-240V	1
23	333568	LOCK LEVER	1	
24	301653	TAPPING SCREW (W/FLANGE) D4 X 20 (BLACK)	7	
25	333570	FLOW GUIDE (B)	1	
26	372740	GEAR COVER	1	
27	333569	FLOW GUIDE (A)	1	
28	337080	CUSHION	1	
29	949794	FLAT HD. SCREW M6 X 20 (10 PCS.)	1	
30	6001VV	BALL BEARING 6001VV	1	
31	333566	RUBBER RING	1	
32	372747	BOLT (SQUARE) M6	2	
*	33	935196	MACHINE SCREW (W/WASHERS) M4 X 12 (BLACK)	1 EXCEPT FOR USA,CAN
*	34	372757	DUST COLLECTOR SET	1 INCLUD.33,505 EXCEPT FOR USA,CAN
*	35	930039	NOISE SUPPRESSOR	1 FOR AUS,NZL,GBR
*	36	930804	TERMINAL M4.0 (10 PCS.)	2
*	36	311741	TERMINAL	2 FOR AUS,NZL,GBR
37		NAME PLATE	1	
38	997841	MACHINE SCREW (W/WASHERS) M5 X 50 (BLACK)	3	
39	938477	HEX. SOCKET SET SCREW M5 X 8	2	
40	372738	HOUSING ASS'Y	1	INCLUD.39,41



