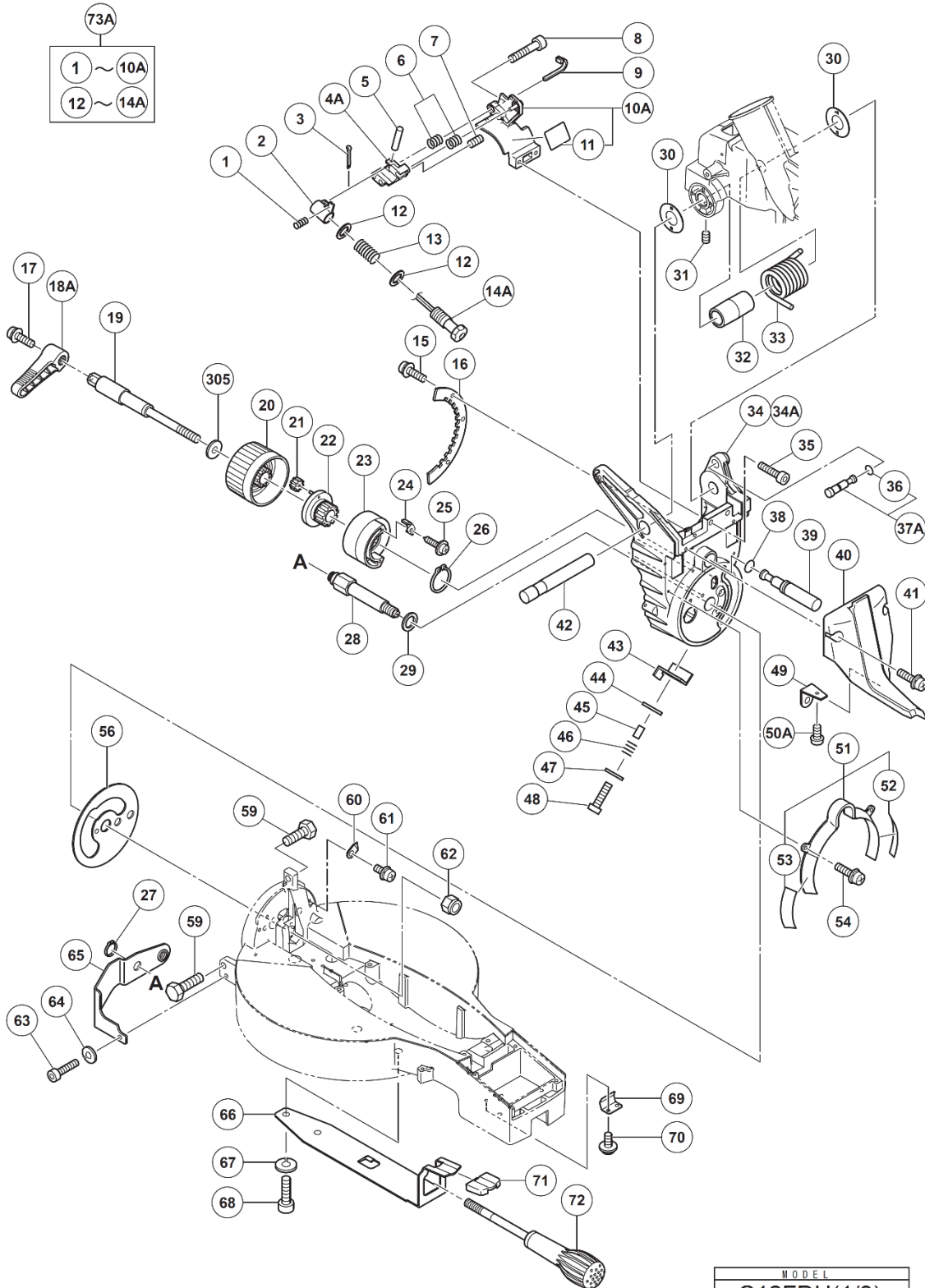
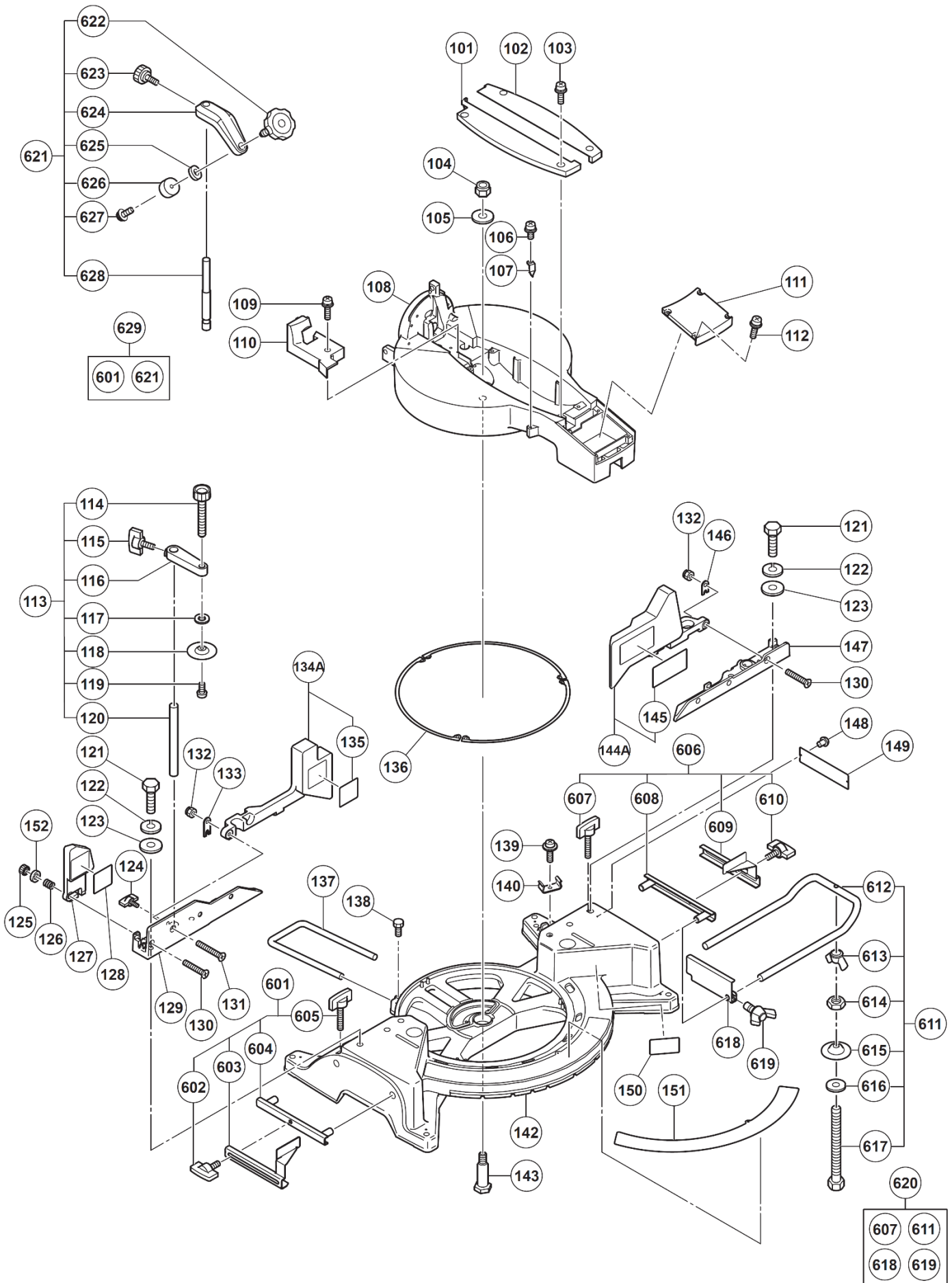


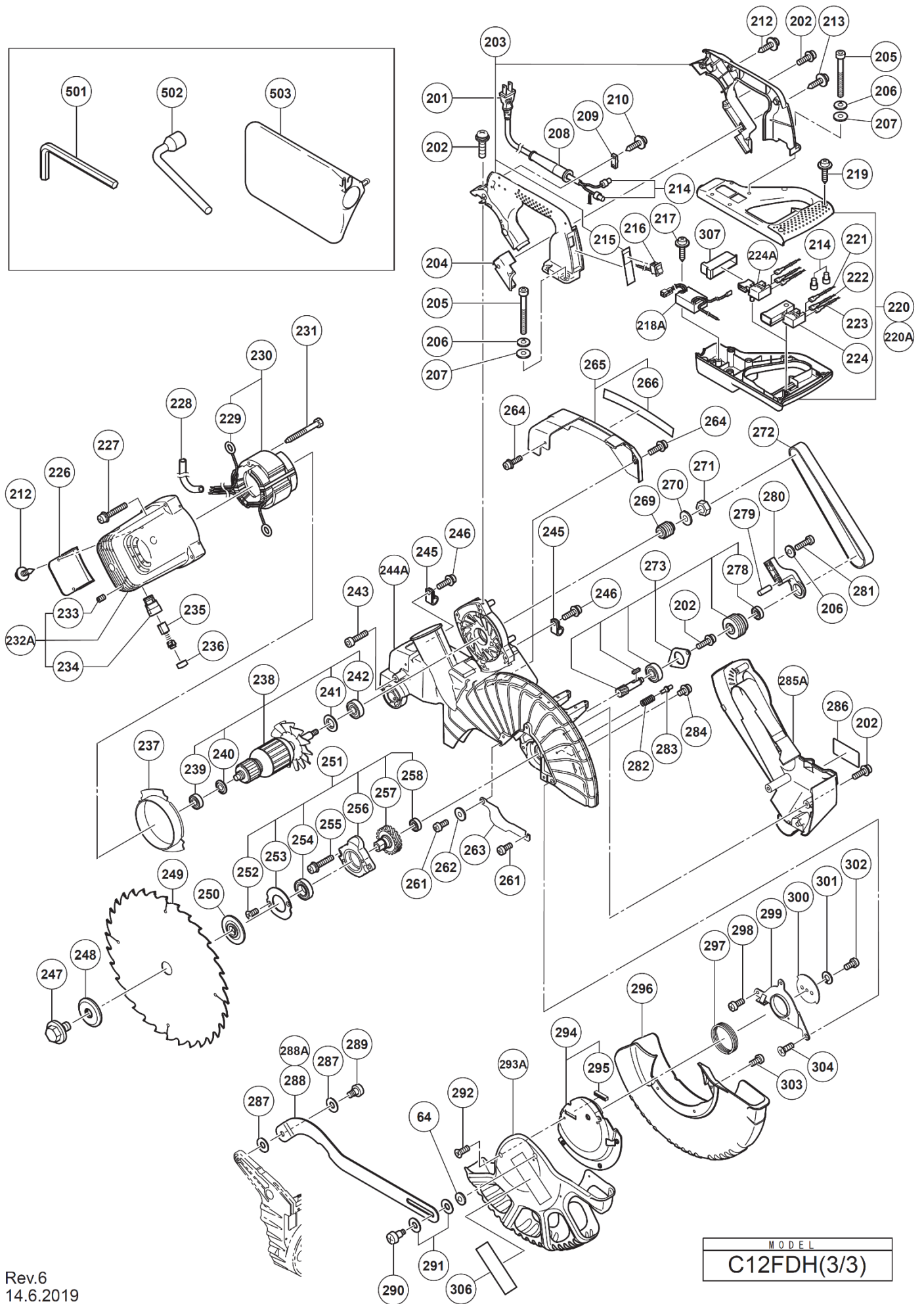
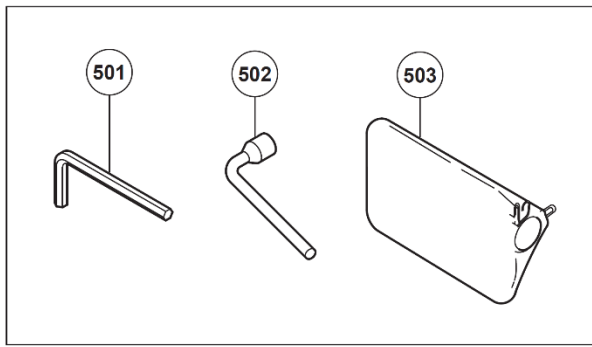
ELECTRIC TOOL PARTS LIST

■ DUAL COMPOUND MITER SAW
Model C 12FDH / S

2019 • 06 • 18
(E1a)







PARTS

C12FDH / S

ITEM NO.	CODE NO.	DESCRIPTION	NO. USED	REMARKS
1	323141	SPRING (B)	1	
2	323137	LASER HOLDER (A)	1	
3	949531	SPLIT PIN D2X12 (10 PCS.)	1	
4A	328943	LASER HOLDER (B)	1	
5	949900	ROLL PIN D3X14 (10 PCS.)	1	
6	323142	SPRING (C)	2	
7	962782	HEX. SOCKET SET SCREW M5X6	1	
8	323144	SPECIAL BOLT M5	1	
9	975144	CABLE TIE	1	
10A	331876	LASER BASE ASS'Y	1	INCLUDE.11
11		CAUTION LABEL (A)	1	
12	323143	WASHER	2	
13	323140	SPRING (A)	1	
14A	331879	LASER MODULE (A) ASS'Y	1	
15	990541	MACHINE SCREW (W/WASHERS) M5X16	3	
16	324971	RACK	1	
17	323208	MACHINE SCREW (W/WASHERS) M6X20 (BLACK)	1	
18A	371742	CLAMP LEVER	1	
19	325032	BOLT (LEFT HAND) M10	1	
20	325033	KNOB (A)	1	
21	325035	PLANET GEAR	3	
22	325036	PINION (A)	1	
23	325034	RING GEAR	1	
24	325037	PLATE (H)	2	
25	307811	TAPPING SCREW (W/FLANGE) D4X16 (BLACK)	2	
26	962553	RETAINING RING FOR D28 SHAFT	1	
27	939542	RETAINING RING FOR D12 SHAFT (10 PCS.)	1	
28	325030	SHAFT (D)	1	
29	322934	WASHER M16	1	
30	323684	LINER (D)	2	
31	307956	SEAL LOCK HEX. SOCKET SET SCREW M6X10	1	
32	323594	SLEEVE	1	
33	323595	SPRING (A)	1	
34	325279	HINGE	1	TILL 12.2018
34A	375124	HINGE	1	SINCE 01.2019
35	949660	HEX. SOCKET HD. BOLT M6X20 (10 PCS.)	2	
36	984528	O-RING (P-6)	1	
37A	375125	STOPPER PIN ASS'Y	1	INCLUD.36
38	996407	O-RING (1AP-12)	1	
39	325028	SET PIN	1	
40	324973	DUST GUIDE ASS'Y	1	INCLUD.49.50A
41	990541	MACHINE SCREW (W/WASHERS) M5X16	2	
42	323593	SHAFT (C)	1	
43	325029	BEVEL PLATE	1	
44	949432	BOLT WASHER M6 (10 PCS.)	1	
45	303006	SPACER D4X10	1	
46	323142	SPRING (C)	1	
47	949423	WASHER M4 (10 PCS.)	1	
48	949221	MACHINE SCREW M4X20 (10 PCS.)	1	
49	322963	DUST GUIDE HOLDER	1	
50A	949215	MACHINE SCREW M4X8 (10 PCS.)	1	
51	324960	SCALE PLATE ASS'Y	1	INCLUD.52.53
52	324961	SCALE (D)	1	
53	324962	SCALE (E)	1	
54	993539	MACHINE SCREW (W/WASHERS) M4X16	2	
56	324978	LINER (B)	1	
59	325019	NYLOCK HEX. SOCKET HD. BOLT M8X20	3	
60	324974	INDICATOR (B)	2	
61	304043	MACHINE SCREW (W/WASHERS) M4X10 (BLACK)	2	
62	680418	NYLON NUT M12	1	
63	949821	HEX. SOCKET HD. BOLT M5X16 (10 PCS.)	1	
64	949454	SPRING WASHER M5 (10 PCS.)	2	
65	325031	HINGE PLATE	1	

PARTS

C12FDH / S

ITEM NO.	CODE NO.	DESCRIPTION	NO. USED	REMARKS
66	323627	SPRING PLATE	1	
67	949457	SPRING WASHER M8 (10 PCS.)	2	
68	949655	HEX. SOCKET HD. BOLT M8X16 (10 PCS.)	2	
69	323609	SPACER (A)	1	
70	307635	MACHINE SCREW (W/SP. WASHER) M4X10	2	
71	324987	PLATE CAP	1	
72	323680	SIDE HANDLE	1	
73A	329314	LASER HOLDER ASS'Y	1	INCLUDE.1-10A.12-14A
101	325046	TABLE INSERT (A)	1	
102	323649	TABLE INSERT (B)	1	
103	990541	MACHINE SCREW (W/WASHERS) M5X16	4	
104	975348	NYLON NUT M8	1	
105	318929	WASHER (F)	1	
106	304043	MACHINE SCREW (W/WASHERS) M4X10 (BLACK)	1	
107	318927	INDICATOR (A)	1	
108	325277	TURN TABLE	1	
109	993539	MACHINE SCREW (W/WASHERS) M4X16	1	
110	325021	CORD COVER (A)	1	
111	323693	MONITOR CASE (B)	1	
112	993539	MACHINE SCREW (W/WASHERS) M4X16	4	
113	323677	WISE ASS'Y	1	INCLUD.114-120
114	323678	KNOB BOLT	1	
115	301806	WING BOLT M6X15	1	
116		SCREW HOLDER	1	
117	949432	BOLT WASHER M6 (10 PCS.)	1	
118	302532	WISE PLATE	1	
119	949216	MACHINE SCREW M4X10 (10 PCS.)	1	
120	322954	WISE SHAFT	1	
121	949678	BOLT M8X35 (10 PCS.)	4	
122	949457	SPRING WASHER M8 (10 PCS.)	4	
123	949433	BOLT WASHER M8 (10 PCS.)	4	
124	301806	WING BOLT M6X15	1	
125	324995	KNOB (B)	1	
126	323142	SPRING (C)	1	
127	324993	SUB FENCE (C) ASS'Y	1	INCLUD.128
128		WARNING LABEL (O)	1	
129	325049	FENCE (B)	1	
130	949342	FLAT HD. SCREW M6X25 (10 PCS.)	2	
131	949795	FLAT HD. SCREW M6X35 (10 PCS.)	1	
132	311144	NYLON NUT M6	2	
133	324994	PLATE (D) 35MM	1	
134A	325271	SUB FENCE (B) ASS'Y	1	INCLUD.135
135		WARNING LABEL (L)	1	
136	323625	LINER (A)	3	
137	322910	HOLDER	1	
138	949610	BOLT M6X10 (10 PCS.)	1	
139	987512	MACHINE SCREW (W/SP. WASHER) M5X16	1	
140	323605	HOOK	1	
142	324965	BASE ASS'Y	1	INCLUD.148-151
143	323626	SHAFT (B)	1	
144A	325270	SUB FENCE (A) ASS'Y	1	INCLUD.145
145		WARNING LABEL (M)	1	
146	324990	PLATE (D) 24.5MM	1	
147	324988	FENCE (A)	1	
148	949510	RIVET D2.5X4.8 (10 PCS.)	2	
149		WARNING LABEL (A)	1	
150		CAUTION LABEL (C)	1	
151	323692	SCALE (A)	1	
152	949432	BOLT WASHER M6 (10 PCS.)	1	
201	325048	CORD	1	(CORD ARMOR D10.7)
202	990541	MACHINE SCREW (W/WASHERS) M5X16	7	
203	324964	HANDLE ASS'Y	1	INCLUD.215
204	325022	CORD COVER (B)	1	
205	949828	HEX. SOCKET HD. BOLT M5X70 (10 PCS.)	4	
206	949431	BOLT WASHER M5 (10 PCS.)	4	

PARTS

C12FDH / S

ITEM NO.	CODE NO.	DESCRIPTION	NO. USED	REMARKS
207	949454	SPRING WASHER M5 (10 PCS.)	6	
208	940778	CORD ARMOR D10.7	1	
209	937631	CORD CLIP	1	
210	984750	TAPPING SCREW (W/FLANGE) D4X16	2	
212	307811	TAPPING SCREW (W/FLANGE) D4X16 (BLACK)	5	
213	307811	TAPPING SCREW (W/FLANGE) D4X16 (BLACK)	1	
214	959141	CONNECTOR 50092 (10 PCS.)	4	
215	324966	SWITCH LABEL (B)	1	
216	323634	SWITCH (A) (1P TYPE)	1	
217	984750	TAPPING SCREW (W/FLANGE) D4X16	1	
218A	371119	SWITCHING POWER SUPPLY	1	
219	301653	TAPPING SCREW (W/FLANGE) D4X20 (BLACK)	3	
220	325043	SWITCH HANDLE (A).(B) SET	1	TILL 12.2018
220A	375122	SWITCH HANDLE (A).(B) SET	1	SINCE 01.2019
221	325261	INTERNAL WIRE (A) (BLUE)	1	
222	325262	INTERNAL WIRE (A) (YELLOW)	1	
223	325263	INTERNAL WIRE (A) (BLACK)	1	
224	324998	SWITCH (3P FASTON TYPE) W/O LOCK	1	TILL 12.2018
224A	375115	SWITCH (3P FASTON TYPE) W/O LOCK	1	SINCE 01.2019
226	325002	HOUSING COVER	1	
227	322123	MACHINE SCREW (W/WASHERS) M5X40 (BLACK)	4	
228	325000	VINYL TUBE	1	
229	937623	BRUSH TERMINAL	2	
230	340648D	STATOR ASS'Y 120V	1	INCLUD.229
231	953174	HEX. HD. TAPPING SCREW D5X55	2	
232A	325045	HOUSING ASS'Y	1	INCLUD.233.234
233	938477	HEX. SOCKET SET SCREW M5X8	2	
234	938241	BRUSH HOLDER	1	
235	999038	CARBON BRUSH (1 PAIR)	1	
236	945161	BRUSH CAP	1	
237	322915	FAN GUIDE	1	
238	360743U	ARMATURE ASS'Y 120V	1	INCLUD.239-242
239	6000VV	BALL BEARING 6000VVCMP2L	1	
240	302428	WASHER (A)	1	
241	325003	DUST WASHER (B)	1	
242	6201VV	BALL BEARING 6201VV	1	
243	949755	HEX. SOCKET HD. BOLT M6X16 (10 PCS.)	1	
244A	325004	GEAR CASE	1	
245	980523	NYLON CLIP	2	
246	935196	MACHINE SCREW (W/WASHERS) M4X12 (BLACK)	2	
247	988101	BOLT (A) M10	1	
248	323652	WASHER (B)	1	
249		TCT SAW BLADE 305MM-D25.4 HOLE-NT32	1	
250	325023	WASHER (A)	1	
251	325005	SPINDLE ASS'Y	1	INCLUD.252-254.256-258
252	318363	FLAT HD. SCREW M4X10 (BLACK)	2	
253	325008	BEARING COVER (A)	1	
254	6904DD	BALL BEARING 6904DDPS2L	1	
255	323208	MACHINE SCREW (W/WASHERS) M6X20 (BLACK)	2	
256	325007	BEARING HOLDER (A)	1	
257	325006	SPINDLE AND GEAR SET	1	
258	608VVM	BALL BEARING 608VVC2PS2L	1	
261	323040	MACHINE SCREW M5X10 (BLACK)	2	
262	949431	BOLT WASHER M5 (10 PCS.)	1	
263	323675	SPINDLE COVER	1	
264	993539	MACHINE SCREW (W/WASHERS) M4X16	2	
265	325047	GEAR CASE COVER ASS'Y	1	INCLUD.266
266	323654	CAUTION LABEL (B)	1	
269	324443	PULLEY (A)	1	
270	961157	SUPER LOCK WASHER	1	
271	949560	NUT M10 (10 PCS.)	1	
272	324427	BELT (200H10) 16X508	1	
273	325009	PINION ASS'Y	1	INCLUD.278
278	608VVM	BALL BEARING 608VVC2PS2L	1	
279	983545	NEEDLE ROLLER	2	

STANDARD ACCESSORIES

C12FDH / S

ITEM NO.	CODE NO.	DESCRIPTION	NO. USED	REMARKS
501	944458	HEX. BAR WRENCH 4MM	1	
502	985051	BOX WRENCH 17MM	1	
*503	322955	DUST BAG (BLACK)	1	
*503	322955M	DUST BAG (BLACK)	1	FOR METABOHPT

OPTIONAL ACCESSORIES

ITEM NO.	CODE NO.	DESCRIPTION	NO. USED	REMARKS
601	323546	CROWN MOLDING STOPPER (L) ASS'Y	1	INCLUD.602-605
602	301806	WING BOLT M6X15	1	
603		CROWN MOLDING STOPPER (L)	1	
604	321390	CROWN MOLDING STOPPER HOLDER	1	
605	323682	WING BOLT M6X85	1	
606	323547	CROWN MOLDING STOPPER (R) ASS'Y	1	INCLUD.607-610
607	323682	WING BOLT M6X85	2	
608	321390	CROWN MOLDING STOPPER HOLDER	1	
609		CROWN MOLDING STOPPER (R)	1	
610	301806	WING BOLT M6X15	1	
611	323657	HOLDER ASS'Y	1	INCLUD.612-617
612	321549	HOLDER	1	
613	949313	WING NUT M6 (10 PCS.)	1	
614	949556	NUT M6 (10 PCS.)	1	
615	322047	WISE PLATE	1	
616	949425	WASHER M6 (10 PCS.)	1	
617	323681	HIGH TENSION BOLT M6X105	1	
618	974561	STOPPER	1	
619	949404	WING BOLT M6X20 (10 PCS.)	1	
620	323523	GUIDE ASS'Y	1	INCLUD.607.611.618.619
621	322957	WISE (B) ASS'Y	1	INCLUD.622-628
622	321551	KNOB BOLT M10X54	1	
623	998836	KNOB BOLT M6X11	1	
624		SCREW HOLDER (B)	1	
625	306985	WASHER (H)	1	
626	964851	BASE RUBBER	1	
627	304043	MACHINE SCREW (W/WASHERS) M4X10 (BLACK)	1	
628	318967	WISE SHAFT	1	
629	323545	CROWN MOLDING VISE ASS'Y	1	INCLUD.601.621
630	323522	TCT SAW BLADE 305MM-D25.4 HOLE-NT32	1	
631	305546	TCT SAW BLADE 305MM-D25.4 HOLE-NT60	1	
632	309418	TCT SAW BLADE 305MM-D25.4 HOLE-NT80	1	
633	301721	TCT SAW BLADE 305MM-D25.4 HOLE-NT90	1	
634	310875	TCT SAW BLADE 305MM-D25.4 HOLE-NT96	1	

