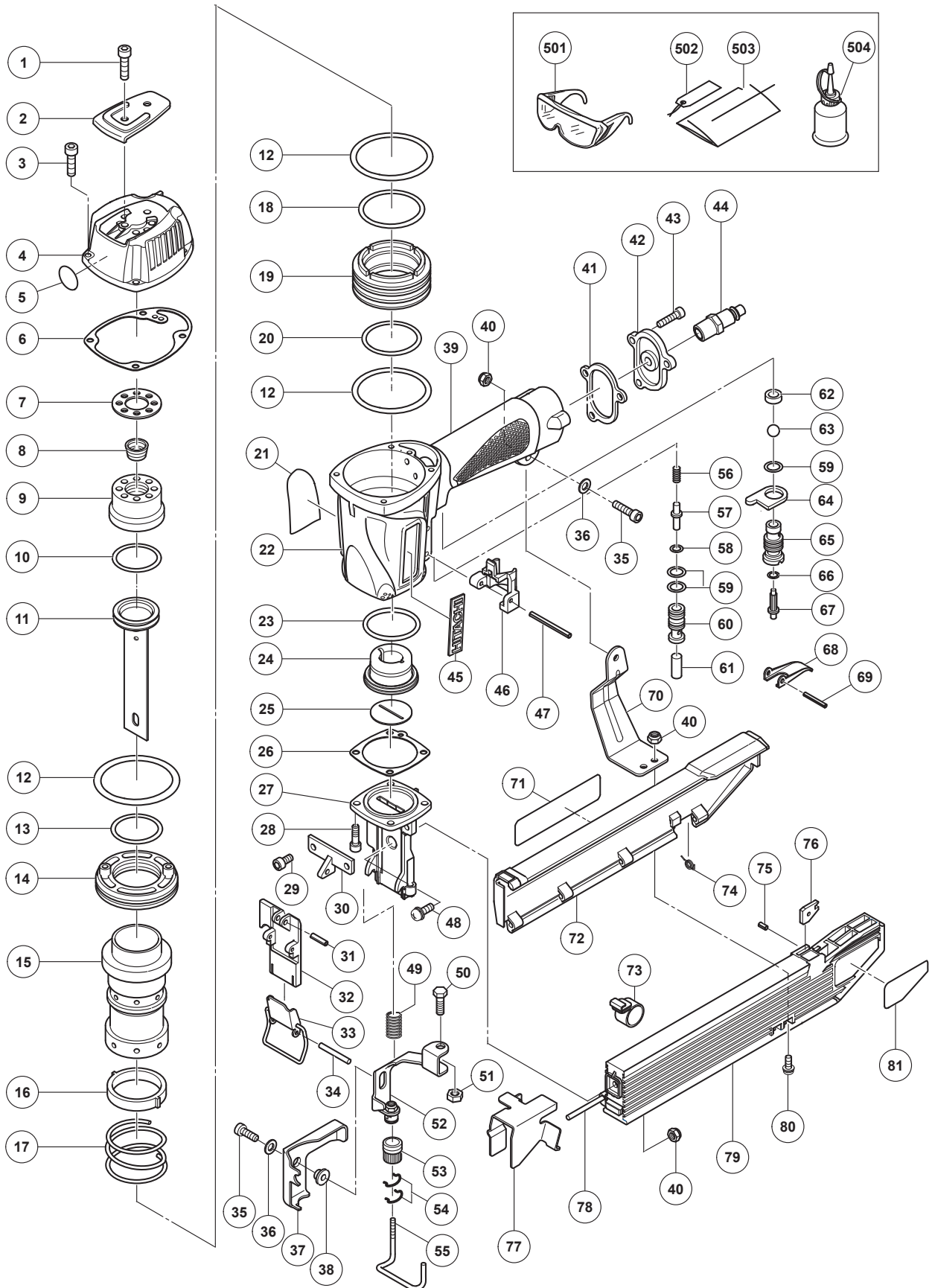


PNEUMATIC TOOL PARTS LIST

■ **STAPLER**
Model N 5024A2

2008·9·11
(E1)



PARTS

N 5024A2

ITEM NO.	CODE NO.	DESCRIPTION	NO. USED	REMARKS
1	949-662	HEX. SOCKET HD. BOLT M5X25 (10 PCS.)	2	
2	876-179	TOP COVER	1	
3	949-757	HEX. SOCKET HD. BOLT M5X20 (10 PCS.)	4	
4	886-444	EXHAUST COVER	1	
* 5	883-513	WARNING LABEL (A)	1	EXCEPT FOR USA, CAN, AUS
6	883-892	GASKET (F)	1	
7	886-466	GASKET (C)	1	
8	878-417	EXHAUST VALVE	1	
9	877-129	HEAD CAP ASS'Y	1	
10	876-174	PISTON O-RING	1	
11	884-357	PISTON	1	
12	885-793	O-RING (I.D. 64.5)	3	
13	877-126	CYLINDER O-RING (D)	1	
14	876-168	CYLINDER PLATE	1	
15	877-486	CYLINDER	1	
16	876-167	CYLINDER RING	1	
17	876-172	CYLINDER SPRING	1	
18	877-123	CYLINDER O-RING (A)	1	
19	877-122	CYLINDER GUIDE	1	
20	877-124	CYLINDER O-RING (B)	1	
21		NAME PLATE	1	
22	886-443	BODY ASS'Y	1	INCLUD. 39
23	877-125	CYLINDER O-RING (C)	1	
24	884-350	PISTON BUMPER	1	
25	884-351	BUMPER SHEET	1	
26	876-673	GASKET (A)	1	
27	886-726	NOSE ASS'Y	1	INCLUD. 55
28	878-181	NYLOCK HEX. SOCKET HD. BOLT M5X16	4	
29	949-819	HEX. SOCKET HD. BOLT M5X10 (10 PCS.)	2	
30	884-360	GUIDE PLATE	1	
31	949-497	ROLL PIN D4X16 (10 PCS.)	1	
32	884-361	BLADE GUIDE	1	
33	884-362	LOCK LEVER	1	
34	949-866	ROLL PIN D3X30 (10 PCS.)	1	
35	949-658	HEX. SOCKET HD. BOLT M5X18 (10 PCS.)	2	
36	876-205	WASHER	2	
37	884-364	GUARD	1	
38	884-366	SLEEVE	1	
39		GRIP RUBBER	1	SUPPLIED WITH ITEM NO. 601, 602
40	877-371	NYLON NUT M5	4	
41	886-719	GASKET (D)	1	
42	885-795	CAP	1	
43	949-821	HEX. SOCKET HD. BOLT M5X16 (10 PCS.)	3	
44		AIR PLUG NPT 1/4	1	
45	886-342	HITACHI PLATE	1	
46	884-356	VALVE GUARD	1	
47	884-025	ROLL PIN D3X45	1	
48	308-386	MACHINE SCREW (W/SP. WASHER) M5X16 (BLACK)	1	
49	877-894	HOLDER SPRING	1	
50	875-650	SAFETY BOLT	1	

