

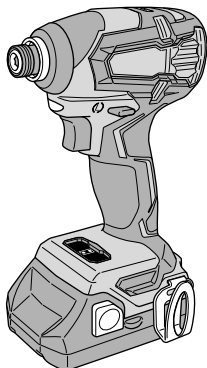
HITACHI

Designed for operating in USA & Canada only.
When this product is used in areas other than the USA & Canada,
we cannot guarantee the product quality and performance.

Model
Modèle
Modelo

WH 18DBFL2

Cordless Impact Driver
Marteau à choc sans fil
Atornillador de impacto inalámbrico



SAFETY INSTRUCTIONS AND INSTRUCTION MANUAL

⚠ WARNING

IMPROPER OR UNSAFE use of this power tool can result in death or serious bodily injury!
This manual contains important information about product safety. Please read and understand this manual **BEFORE** operating the power tool. Please keep this manual available for other users and owners before they use the power tool. This manual should be stored in safe place.

INSTRUCTIONS DE SECURITE ET MODE D'EMPLOI

⚠ AVERTISSEMENT

Une utilisation **INCORRECTE OU DANGEREUSE** de cet outil motorisé peut entraîner la mort ou de sérieuses blessures corporelles!
Ce mode d'emploi contient d'importantes informations à propos de la sécurité de ce produit. Prière de lire et de comprendre ce mode d'emploi **AVANT** d'utiliser l'outil motorisé. Garder ce mode d'emploi à la disponibilité des autres utilisateurs et propriétaires avant qu'ils utilisent l'outil motorisé. Ce mode d'emploi doit être conservé dans un endroit sûr.

INSTRUCCIONES DE SEGURIDAD Y MANUAL DE INSTRUCCIONES

⚠ ADVERTENCIA

¡La utilización **INAPROPIADA O PELIGROSA** de esta herramienta eléctrica puede resultar en lesiones de gravedad o la muerte!
Este manual contiene información importante sobre la seguridad del producto. Lea y comprenda este manual **ANTES** de utilizar la herramienta eléctrica. Guarde este manual para que puedan leerlo otras personas antes de utilizar la herramienta eléctrica. Este manual debe ser guardado en un lugar seguro.

Hitachi Koki

CONTENTS

English	Page	Page	
IMPORTANT SAFETY INFORMATION	3	FUNCTIONAL DESCRIPTION	9
MEANINGS OF SIGNAL WORDS	3	NAME OF PARTS	9
SAFETY	3	SPECIFICATIONS	10
GENERAL POWER TOOL SAFETY WARNINGS	3	ASSEMBLY AND OPERATION	11
SPECIFIC SAFETY RULES AND SYMBOLS	5	APPLICATIONS	11
IMPORTANT SAFETY INSTRUCTIONS		REMOVAL AND INSTALLATION METHOD	
FOR USE OF THE CORDLESS IMPACT		OF BATTERY	11
DRIVER	6	CHARGING METHOD	11
IMPORTANT SAFETY INSTRUCTIONS		BEFORE USE	13
FOR BATTERY CHARGER	6	OPERATION	13
IMPORTANT SAFETY INSTRUCTIONS		OPERATIONAL CAUTIONS	15
FOR USE OF THE BATTERY AND		MAINTENANCE AND INSPECTION	16
BATTERY CHARGER	7	TROUBLESHOOTING GUIDE	17
CAUTION ON LITHIUM-ION BATTERY	7	ACCESSORIES	18
REGARDING LITHIUM-ION BATTERY		STANDARD ACCESSORIES	18
TRANSPORTATION	8	OPTIONAL ACCESSORIES ..sold separately	19
		PARTS LIST	58

TABLE DES MATIÈRES

Français	Page	Page	
INFORMATIONS IMPORTANTES DE SÉCURITÉ ..	20	DESCRIPTION FONCTIONNELLE	27
SIGNIFICATION DES MOTS D'AVERTISSEMENT ..	20	NOM DES PARTIES	27
SECURITE	20	SPECIFICATIONS	28
AVERTISSEMENTS DE SÉCURITÉ GÉNÉRAUX		ASSEMBLAGE ET FONCTIONNEMENT	29
CONCERNANT LES OUTILS ÉLECTRIQUES ..	20	UTILISATIONS	29
REGLES DE SECURITE SPECIFIQUES		MÉTHODE DE RETRAIT ET D'INSTALLATION	
ET SYMBOLES	22	DE LA BATTERIE	29
CONSIGNES DE SÉCURITÉ IMPORTANTES POUR		MÉTHODE DE RECHARGE	29
L'UTILISATION DU MARTEAU À CHOC SANS		AVANT L'UTILISATION	31
FIL	23	UTILISATION	31
CONSIGNES DE SÉCURITÉ IMPORTANTES		PRECAUTIONS D'UTILISATION	34
POUR LE CHARGEUR DE BATTERIE	23	ENTRETIEN ET INSPECTION	35
CONSIGNES DE SÉCURITÉ IMPORTANTES POUR		GUIDE DE DÉPANNAGE	36
L'UTILISATION DE LA BATTERIE ET		ACCESSOIRES	37
DU CHARGEUR DE BATTERIE	24	ACCESSOIRES STANDARD	37
PRÉCAUTIONS RELATIVES A LA BATTERIE AU		ACCESSOIRES EN OPTION ..vendus séparément ..	38
LITHIUM ION	25	LISTE DES PIÈCES	58
À PROPOS DU TRANSPORT DE LA BATTERIE			
LITHIUM-ION	26		

ÍNDICE

Español	Página	Página	
INFORMACIÓN IMPORTANTE SOBRE		DESCRIPCIÓN FUNCIONAL	46
SEGURIDAD	39	NOMENCLATURA	46
SIGNIFICADO DE LAS PALABRAS DE		ESPECIFICACIONES	47
SEÑALIZACIÓN	39	MONTAJE Y OPERACIÓN	48
SEGURIDAD	39	APLICACIONES	48
ADVERTENCIAS DE SEGURIDAD GENERAL		MÉTODO DE EXTRACCIÓN E INSTALACIÓN	
DE LA HERRAMIENTA ELÉCTRICA	39	DE LA BATERIA	48
NORMAS Y SIMBOLOS ESPECÍFICOS DE		MÉTODO DE CARGA	48
SEGURIDAD	41	ANTES DE LA UTILIZACIÓN	50
INSTRUCCIONES IMPORTANTES PARA LA		OPERACIÓN	50
UTILIZACIÓN DEL ATORNILLADOR DE		PRECAUCIONES OPERACIONALES	53
IMPACTO INALÁMBRICO	42	MANTENIMIENTO E INSPECCIÓN	54
INSTRUCCIONES IMPORTANTES DE		GUIA DE IDENTIFICACION DE PROBLEMAS	55
SEGURIDAD PARA EL CARGADOR		ACCESSORIOS	56
DE BATERIAS	43	ACCESSORIOS ESTÁNDAR	56
INSTRUCCIONES IMPORTANTES DE		ACCESSORIOS OPCIONALES ..	
SEGURIDAD PARA LA BATERIA Y		de venta por separado	57
EL CARGADOR DE BATERIAS	44	LISTA DE PIEZAS	58
ADVERTENCIA DE LA BATERIA DE LITIO	44		
A PROPOSITO DEL TRANSPORTE DE LA			
BATERIA DE IONES DE LITIO	45		

IMPORTANT SAFETY INFORMATION

Read and understand all of the safety precautions, warnings and operating instructions in the Instruction Manual before operating or maintaining this power tool.

Most accidents that result from power tool operation and maintenance are caused by the failure to observe basic safety rules or precautions. An accident can often be avoided by recognizing a potentially hazardous situation before it occurs, and by observing appropriate safety procedures.

Basic safety precautions are outlined in the "SAFETY" section of this Instruction Manual and in the sections which contain the operation and maintenance instructions.

Hazards that must be avoided to prevent bodily injury or machine damage are identified by WARNINGS on the power tool and in this Instruction Manual.

NEVER use this power tool in a manner that has not been specifically recommended by HITACHI.

MEANINGS OF SIGNAL WORDS

WARNING indicates a potentially hazardous situations which, if ignored, could result in death or serious injury.

CAUTION indicates a potentially hazardous situations which, if not avoided, may result in minor or moderate injury, or may cause machine damage.

NOTE emphasizes essential information.

SAFETY

GENERAL POWER TOOL SAFETY WARNINGS

WARNING

Read all safety warnings and all instructions.

Failure to follow the warnings and instructions may result in electric shock, fire and/or serious injury.

Save all warnings and instructions for future reference.

The term "power tool" in the warnings refers to your mains-operated (corded) power tool or battery-operated (cordless) power tool.

- 1) **Work area safety**
 - a) **Keep work area clean and well lit.**
Cluttered or dark areas invite accidents.
 - b) **Do not operate power tools in explosive atmospheres, such as in the presence of flammable liquids, gases or dust.**
Power tools create sparks which may ignite the dust or fumes.
 - c) **Keep children and bystanders away while operating a power tool.**
Distractions can cause you to lose control.
- 2) **Electrical safety**
 - a) **Power tool plugs must match the outlet. Never modify the plug in any way. Do not use any adapter plugs with earthed (grounded) power tools.**
Unmodified plugs and matching outlets will reduce risk of electric shock.
 - b) **Avoid body contact with earthed or grounded surfaces such as pipes, radiators, ranges and refrigerators.**
There is an increased risk of electric shock if your body is earthed or grounded.
 - c) **Do not expose power tools to rain or wet conditions.**
Water entering a power tool will increase the risk of electric shock.
 - d) **Do not abuse the cord. Never use the cord for carrying, pulling or unplugging the power tool. Keep cord away from heat, oil, sharp edges or moving parts.**
Damaged or entangled cords increase the risk of electric shock.
 - e) **When operating a power tool outdoors, use an extension cord suitable for outdoor use.**
Use of a cord suitable for outdoor use reduces the risk of electric shock.
 - f) **If operating a power tool in a damp location is unavoidable, use a residual current device (RCD) protected supply.**
Use of an RCD reduces the risk of electric shock.

3) **Personal safety**

- a) **Stay alert, watch what you are doing and use common sense when operating a power tool. Do not use a power tool while you are tired or under the influence of drugs, alcohol or medication.**

A moment of inattention while operating power tools may result in serious personal injury.

- b) **Use personal protective equipment. Always wear eye protection.**

Protective equipment such as dust mask, non-skid safety shoes, hard hat, or hearing protection used for appropriate conditions will reduce personal injuries.

- c) **Prevent unintentional starting. Ensure the switch is in the off-position before connecting to power source and/or battery pack, picking up or carrying the tool.**

Carrying power tools with your finger on the switch or energising power tools that have the switch on invites accidents.

- d) **Remove any adjusting key or wrench before turning the power tool on.**

A wrench or a key left attached to a rotating part of the power tool may result in personal injury.

- e) **Do not overreach. Keep proper footing and balance at all times.**

This enables better control of the power tool in unexpected situations.

- f) **Dress properly. Do not wear loose clothing or jewellery. Keep your hair, clothing and gloves away from moving parts.**

Loose clothes, jewellery or long hair can be caught in moving parts.

- g) **If devices are provided for the connection of dust extraction and collection facilities, ensure these are connected and properly used.**

Use of dust collection can reduce dust-related hazards.

4) **Power tool use and care**

- a) **Do not force the power tool. Use the correct power tool for your application.**

The correct power tool will do the job better and safer at the rate for which it was designed.

- b) **Do not use the power tool if the switch does not turn it on and off.**

Any power tool that cannot be controlled with the switch is dangerous and must be repaired.

- c) **Disconnect the plug from the power source and/or the battery pack from the power tool before making any adjustments, changing accessories, or storing power tools.**

Such preventive safety measures reduce the risk of starting the power tool accidentally.

- d) **Store idle power tools out of the reach of children and do not allow persons unfamiliar with the power tool or these instructions to operate the power tool.**

Power tools are dangerous in the hands of untrained users.

- e) **Maintain power tools. Check for misalignment or binding of moving parts, breakage of parts and any other condition that may affect the power tool's operation.**

If damaged, have the power tool repaired before use.

Many accidents are caused by poorly maintained power tools.

- f) **Keep cutting tools sharp and clean.**

Properly maintained cutting tools with sharp cutting edges are less likely to bind and are easier to control.

- g) **Use the power tool, accessories and tool bits etc. in accordance with these instructions, taking into account the working conditions and the work to be performed.**

Use of the power tool for operations different from those intended could result in a hazardous situation.

5) **Battery tool use and care**

- a) **Recharge only with the charger specified by the manufacturer.**

A charger that is suitable for one type of battery pack may create a risk of fire when used with another battery pack.

- b) **Use power tools only with specifically designated battery packs.**

Use of any other battery packs may create a risk of injury and fire.

- c) **When battery pack is not in use, keep it away from other metal objects like paper clips, coins, keys, nails, screws, or other small metal objects, that can make a connection from one terminal to another.**

Shorting the battery terminals together may cause burns or a fire.

- d) **Under abusive conditions, liquid may be ejected from the battery; avoid contact. If contact accidentally occurs, flush with water. If liquid contacts eyes, additionally seek medical help.**

Liquid ejected from the battery may cause irritation or burns.

6) **Service**

- a) **Have your power tool serviced by a qualified repair person using only identical replacement parts.**

This will ensure that the safety of the power tool is maintained.

– WARNING –

To reduce the risk of injury, user must read instruction manual.

WARNING

Some dust created by power sanding, sawing, grinding, drilling, and other construction activities contains chemicals known to the State of California to cause cancer, birth defects or other reproductive harm. Some examples of these chemicals are:

- Lead from lead-based paints,
- Crystalline silica from bricks and cement and other masonry products, and
- Arsenic and chromium from chemically-treated lumber.

Your risk from these exposures varies, depending on how often you do this type of work. To reduce your exposure to these chemicals: work in a well ventilated area, and work with approved safety equipment, such as those dust masks that are specially designed to filter out microscopic particles.

SPECIFIC SAFETY RULES AND SYMBOLS

1. **Hold power tools by insulated gripping surfaces, when performing an operation where the fastener may contact hidden wiring.**

Fasteners contacting a "live" wire may make exposed metal parts of the power tool "live" and could give the operator an electric shock.

2. **ALWAYS wear ear protectors when using the tool for extended periods.**



Prolonged exposure to high intensity noise can cause hearing loss.

3. **NEVER** place hands or other body parts near the drill bit or chuck during operation. Hold the impact driver by its handle only.
4. Because the cordless impact driver operates by battery power, be aware of the fact that it can begin to operate at any time.
5. When working at elevated locations, clear the area of all other people and be aware of conditions below you.
6. **NEVER touch moving parts.**
NEVER place your hands, fingers or other body parts near the tool's moving parts.
7. **NEVER operate without all guards in place.**

NEVER operate this tool without all guards or safety features in place and in proper working order. If maintenance or servicing requires the removal of a guard or safety feature, be sure to replace the guard or safety feature before resuming operation of the tool.

8. **Use right tool.**
Don't force small tool or attachment to do the job of a heavy-duty tool.

Don't use tool for purpose not intended—for example—don't use circular saw for cutting tree limbs or logs.

9. **NEVER use a power tool for applications other than those specified.**

NEVER use a power tool for applications other than those specified in the Instruction Manual.

10. **Handle tool correctly.**

Operate the tool according to the instructions provided herein. Do not drop or throw the tool. **NEVER** allow the tool to be operated by children, individuals unfamiliar with its operation or unauthorized personnel.

11. **Keep all screws, bolts and covers tightly in place.**

Keep all screws, bolts, and plates tightly mounted. Check their condition periodically.

12. **Do not use power tools if the plastic housing or handle is cracked.**

Cracks in the tool's housing or handle can lead to electric shock. Such tools should not be used until repaired.

13. **Blades and accessories must be securely mounted to the tool.**

Prevent potential injuries to yourself or others. Blades, cutting implements and accessories which have been mounted to the tool should be secure and tight.

14. **NEVER use a tool which is defective or operating abnormally.**

If the tool appears to be operating unusually, making strange noises, or otherwise appears defective, stop using it immediately and arrange for repairs by a Hitachi authorized service center.

15. **Carefully handle power tools.**

Should a power tool be dropped or struck against hard materials inadvertently, it may be deformed, cracked, or damaged.

16. **Do not wipe plastic parts with solvent.**

Solvents such as gasoline, thinner benzine, carbon tetrachloride, and alcohol may damage and crack plastic parts. Do not wipe them with such solvents. Wipe plastic parts with a soft cloth lightly dampened with soapy water and dry thoroughly.

17. **Always** wear eye protection that meets the requirement of the latest revision of ANSI Standard Z87.1.



18. Definitions for symbols used on this tool

V volts

== direct current

No no load speed

---/min revolutions or reciprocation per minute

**IMPORTANT SAFETY INSTRUCTIONS
FOR USE OF THE CORDLESS IMPACT
DRIVER**

⚠ WARNING

Death or serious bodily injury could result from improper or unsafe use of the cordless impact driver. To avoid these risks, follow these basic safety instructions:

1. **NEVER** use this impact driver handle for any application other than those in this manual.
2. **NEVER** place hands or other body parts near the drill bit or chuck during operation. Hold the impact driver by its handle only.
3. When working in high places, **always** make sure that there is no one below before starting to work.
4. **ALWAYS** wear eye and ear protection when you work.
5. **ALWAYS** install the driver bit securely. A loose bit is dangerous because it can come loose while you are working.
6. **ALWAYS** use the driver bit that matches the screw size.
7. **ALWAYS** have the screw you are screwing in and this impact driver in a straight line. Working with this impact driver at an angle to the screw can damage the screw head and will not give the prescribed tightening torque.

**IMPORTANT SAFETY INSTRUCTIONS
FOR BATTERY CHARGER**

⚠ WARNING

Death or serious bodily injury could result from improper or unsafe use of battery chargers. To avoid these risks, follow these basic safety instructions:

READ ALL INSTRUCTIONS

1. This manual contains important safety and operating instructions for battery charger Model UC18YKSL.
2. Before using battery charger, read all instructions and cautionary markings on (1) battery charger, (2) battery, and (3) product using battery.
3. To reduce risk of injury, charge HITACHI rechargeable battery type BSL18 series. Other type of batteries may burst causing personal injury and damage.
4. Do not expose battery charger to rain or snow.
5. Use of an attachment not recommended or sold by the battery charger manufacturer may result in a risk of fire, electric shock, or injury to persons.
6. To reduce risk of damage to electric plug and cord, pull by plug when disconnecting battery charger.
7. Make sure cord is located so that it will not be stepped on, tripped over, or otherwise subjected to damage or stress.
8. An extension cord should not be used unless absolutely necessary. Use of improper extension cord could result in a risk of fire and electric shock. If extension cord must be used make sure:
 - a. That blades of extension cord are the same number, size, and shape as those of plug on battery charger;
 - b. That extension cord is properly wired and in good electrical condition; and
 - c. That wire size is large enough for AC ampere rating of battery charger as specified in Table 1.

Table 1
RECOMMENDED MINIMUM AWG SIZE FOR
EXTENSION CORDS FOR BATTERY CHARGERS

AC Input Rating Amperes*		AWG Size of Cord			
Equal to or greater than	but less than	Length of Cord, Feet (Meter)			
		25 (7.5)	50 (15)	100 (30)	150 (45)
0	2	18	18	18	16
2	3	18	18	16	14
3	4	18	18	16	14

* If the input rating of a battery charger is given in watts rather than in amperes, the corresponding ampere rating is to be determined by dividing the wattage rating by the voltage rating—for example:

$$\frac{1,250 \text{ watts}}{125 \text{ volts}} = 10 \text{ amperes}$$

9. Do not operate battery charger with damaged cord or plug-replace them immediately.
10. Do not operate battery charger if it has received a sharp blow, been dropped, or otherwise damaged in any way; take it to a qualified serviceman.
11. Do not disassemble battery charger; take it to a qualified serviceman when service or repair is required. Incorrect reassembly may result in a risk of electric shock or fire.
12. To reduce risk of electric shock, unplug charger from receptacle before attempting any maintenance or cleaning. Removing the battery will not reduce this risk.
11. **NEVER** store the battery or battery charger in places where the temperature may reach or exceed 104°F (40°C).
12. **ALWAYS** operate charger on standard household electrical power (120 volts). Using the charger on any other voltage may overheat and damage the charger.
13. **ALWAYS** wait at least 15 minutes between charges to avoid overheating the charger.
14. **ALWAYS** disconnect the power cord from its receptacle when the charger is not in use.

CAUTION ON LITHIUM-ION BATTERY

To extend the lifetime, the lithium-ion battery equips with the protection function to stop the output.

In the cases of 1 to 3 described below, when using this product, even if you are pulling the switch, the motor may stop. This is not the trouble but the result of protection function.

1. When the battery power remaining runs out, the motor stops.
In such case, charge it up immediately.
2. If the tool is overloaded, the motor may stop. In this case, release the switch of tool and eliminate causes of overloading. After that, you can use it again.
3. If the battery is overheated under overload work, the battery power may stop.
In this case, stop using the battery and let the battery cool. After that, you can use it again.


Furthermore, please heed the following warning and caution.

WARNING


In order to prevent any battery leakage, heat generation, smoke emission, explosion and ignition beforehand, please be sure to heed the following precautions.

IMPORTANT SAFETY INSTRUCTIONS FOR USE OF THE BATTERY AND BATTERY CHARGER

You must charge the battery before you can use the power tool. Before using the model UC18YKSL battery charger, be sure to read all instructions and cautionary statements on it, the battery and in this manual.

 **CAUTION**
USE ONLY HITACHI BATTERY TYPES BSL18 SERIES. OTHER TYPES OF BATTERIES MAY BURST AND CAUSE INJURY!

Follow these instructions to avoid the risk of injury:

 **WARNING:** Improper use of the battery or battery charger can lead to serious injury. To avoid these injuries:

1. **NEVER** disassemble the battery.
2. **NEVER** incinerate the battery, even if it is damaged or is completely worn out. The battery can explode in a fire.
3. **NEVER** short-circuit the battery.
4. **NEVER** insert any objects into the battery charger's air vents. Electric shock or damage to the battery charger may result.
5. **NEVER** charge outdoors. Keep the battery away from direct sunlight and use only where there is low humidity and good ventilation.
6. **NEVER** charge when the temperature is below 32°F (0°C) or above 104°F (40°C).
7. **NEVER** connect two battery chargers together.
8. **NEVER** insert foreign objects into the hole for the battery or the battery charger.
9. **NEVER** use a booster transformer when charging.
10. **NEVER** use an engine generator or DC power to charge.

1. Make sure that swarf and dust do not collect on the battery.
 - During work make sure that swarf and dust do not fall on the battery.
 - Make sure that any swarf and dust falling on the power tool during work do not collect on the battery.
 - Do not store an unused battery in a location exposed to swarf and dust.
 - Before storing a battery, remove any swarf and dust that may adhere to it and do not store it together with metal parts (screws, nails, etc.).
2. Do not pierce battery with a sharp object such as a nail, strike with a hammer, step on, throw or subject the battery to severe physical shock.
3. Do not use an apparently damaged or deformed battery.
4. Do not use the battery in reverse polarity.
5. Do not connect lighter directly to an electrical outlets or car cigarette lighter sockets.

- Do not use the battery for a purpose other than those specified.
- If the battery charging fails to complete even when a specified recharging time has elapsed, immediately stop further recharging.
- Do not put or subject the battery to high temperatures or high pressure such as into a microwave oven, dryer, or high pressure container.
- Keep away from fire immediately when leakage or foul odor are detected.
- Do not use in a location where strong static electricity generates.
- If there is battery leakage, foul odor, heat generated, discolored or deformed, or in any way appears abnormal during use, recharging or storage, immediately remove it from the equipment or battery charger, and stop use.

⚠ CAUTION

- If liquid leaking from the battery gets into your eyes, do not rub your eyes and wash them well with fresh clean water such as tap water and contact a doctor immediately.
If left untreated, the liquid may cause eye-problems.
- If liquid leaks onto your skin or clothes, wash well with clean water such as tap water immediately.
There is a possibility that this can cause skin irritation.
- If you find rust, foul odor, overheating, discolor, deformation, and/or other irregularities when using the battery for the first time, do not use and return it to your supplier or vendor.

⚠ WARNING

If an electrically conductive foreign object enters the terminals of the lithium ion battery, a short-circuit may occur resulting in the risk of fire. Please observe the following matters when storing the battery.

- Do not place electrically conductive cuttings, nails, steel wire, copper wire or other wire in the storage case.
- Either install the battery in the power tool or store by securely pressing into the battery cover until the ventilation holes are concealed to prevent short-circuits (See Fig. 3).

REGARDING LITHIUM-ION BATTERY TRANSPORTATION

When transporting a lithium-ion battery, please observe the following precautions.

⚠ WARNING

Notify the transporting company that a package contains a lithium-ion battery, inform the company of its power output and follow the instructions of the transportation company when arranging transport.

- Lithium-ion batteries that exceed a power output of 100Wh are considered to be in the freight classification of Dangerous Goods and will require special application procedures.
- For transportation abroad, you must comply with international law and the rules and regulations of the destination country.

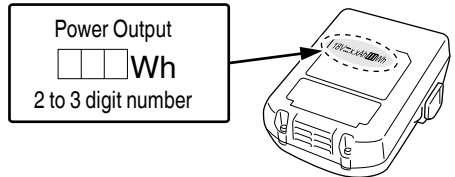


Fig. 1

**SAVE THESE INSTRUCTIONS
AND
MAKE THEM AVAILABLE TO OTHER USERS
AND
OWNERS OF THIS TOOL!**

FUNCTIONAL DESCRIPTION

NOTE

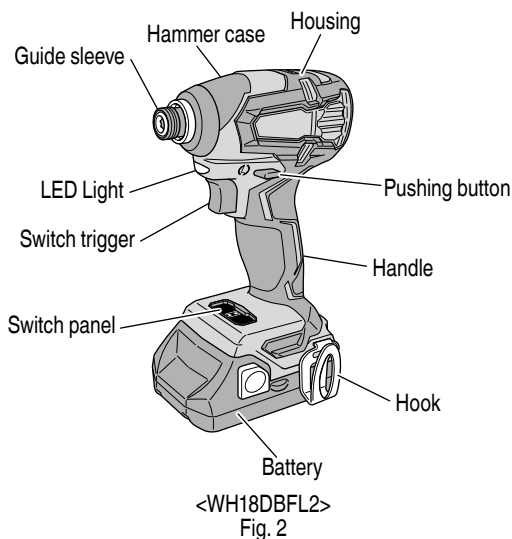
The information contained in this Instruction Manual is designed to assist you in the safe operation and maintenance of the power tool.

NEVER operate, or attempt any maintenance on the tool unless you have first read and understood all safety instructions contained in this manual.

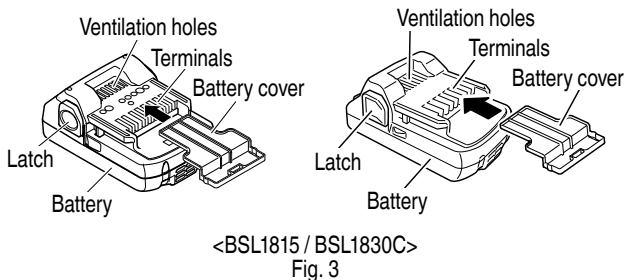
Some illustrations in this Instruction Manual may show details or attachments that differ from those on your own power tool.

NAME OF PARTS

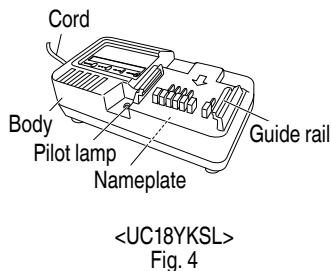
1. Cordless Impact Driver (WH18DBFL2)



2. Battery



3. Battery Charger



SPECIFICATIONS

1. Cordless Impact Driver

Model		WH18DBFL2	
No-load speed		0 – 3,100 /min	
Capacity	Small screw	5/32" (M4) – 5/16" (M8)	
	Ordinary bolt	3/16" (M5) – 5/8" (M16)	
	High tension bolt	3/16" (M5) – 15/32" (M12)	
Tightening torque		Maximum 1,522 in-lbs {172 N·m 1,754 kgf·cm} Tightening is 5/8" (M16) high tension bolt, when fully charged at 68°F (20°C) temp. Tightening time: 3 sec.	
Bit shank size		1/4" (6.35 mm) Hex.	
Battery	Model	BSL1815 (1.5 Ah)	BSL1830C (3.0 Ah)
	Type	Li-ion battery	
	Voltage	DC 18 V	
Weight		2.9 lbs. (1.3 kg)	

2. Battery Charger

Model		UC18YKSL	
Input power source		Single phase: AC 120 V 60 Hz	
Charging time (At a temperature of 68°F (20°C))		BSL1830C : Approx. 90 min BSL1815 : Approx. 40 min	
Charging voltage		DC 14.4 – 18 V	
Charging current		DC 2.0 A	
Weight		0.8 lbs. (0.35 kg)	

NOTE: The charging time may vary according to temperature and power source voltage.

ASSEMBLY AND OPERATION

APPLICATIONS

- Driving and removing of machine screws, wood screws, tapping screws, etc.

REMOVAL AND INSTALLATION METHOD OF BATTERY

1. Battery removal
Hold the handle tightly and push the battery latch to remove the battery (see Fig. 5).

⚠ CAUTION
Never short-circuit the battery.

2. Battery installation
Insert the battery while observing its polarities (see Fig. 5).

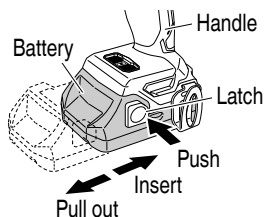


Fig. 5

CHARGING METHOD

NOTE

Before plugging into the receptacle, make sure the following points.

- The power source voltage is stated on the nameplate.
- The cord is not damaged.

⚠ WARNING
Do not charge at voltage higher than indicated on the nameplate.
If charged at voltage higher than indicated on the nameplate, the charger will burn up.

1. Insert the plug of battery charger into the receptacle. When the plug of battery charger has been inserted into the receptacle, pilot lamp will blink in red. (At 1-second intervals)



⚠ WARNING
Do not use the electrical cord if damaged. Have it repaired immediately.

2. Insert the battery to the battery charger. Insert the battery into the battery charger as shown in Fig. 6.

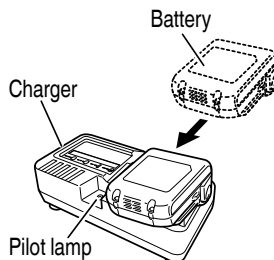


Fig. 6

3. Charging
When the battery is inserted into the battery charger, charging will commence and the pilot lamp will light in red. (See Table 2)

NOTE

If the pilot lamp does not light or blink in red, pull out the plug from the receptacle and check if the battery is properly mounted.

When the battery is fully charged, the pilot lamp will blink in red slowly. (At 1-second intervals) (See Table 2)

- (1) Pilot lamp indication
The indications of the pilot lamp will be as shown in Table 2, according to the condition of the charger or the rechargeable battery.

Table 2

Indications of the pilot lamp				
Pilot lamp (red)	Before charging	Blinks	Lights for 0.5 seconds. Does not light for 0.5 seconds. (off for 0.5 seconds)	
	While charging	Lights	Lights continuously	
	Charging complete	Blinks	Lights for 0.5 seconds. Does not light for 0.5 seconds. (off for 0.5 seconds)	
	Overheat standby	Blinks	Lights for 1 second. Does not light for 0.5 seconds. (off for 0.5 seconds)	Battery overheated. Unable to charge. (Charging will commence when battery cools)
	Charging impossible	Flickers	Lights for 0.1 seconds. Does not light for 0.1 seconds. (off for 0.1 seconds)	Malfunction in the battery or the charger

- (2) Regarding the temperature of the rechargeable battery.
The temperatures for rechargeable batteries are as shown in the Table 3, and batteries that have become hot should be cooled for a while before being recharged.

Table 3 Recharging ranges of batteries

Rechargeable batteries	Temperatures at which the battery can be recharged
BSL1830C, BSL1815	32°F-122°F (0°C-50°C)

- (3) Regarding recharging time (At 68°F (20°C))

Table 4 Charging time

Battery	Charger	UC18YKSL
BSL1830C		Approx. 90 min.
BSL1815		Approx. 40 min.

NOTE

The charging time may vary according to temperature and power source voltage.

Regarding electric discharge in case of new batteries, etc.

As the internal chemical substance of new batteries and batteries that have not been used for an extended period is not activated, the electric discharge might be low when using them the first and second time.

This is a temporary phenomenon, and normal time required for recharging will be restored by recharging the batteries 2 – 3 times.

How to make the batteries perform longer

- Recharge the batteries before they become completely exhausted.
When you feel that the power of the tool becomes weaker, stop using the tool and recharge its battery. If you continue to use the tool and exhaust the electric current, the battery may be damaged and its life will become shorter.
- Avoid recharging at high temperatures.
A rechargeable battery will be hot immediately after use. If such a battery is recharged immediately after use, its internal chemical substance will deteriorate, and the battery life will be shortened. Leave the battery and recharge it after it has cooled for a while.

⚠ CAUTION

- When the battery charger has been continuously used, the battery charger will be heated, thus constituting the cause of the failures. Once the charging has been completed, give 15 minutes rest until the next charging.
- If the battery is charged while it is heated because it has been left for a long time in a location subject to direct sunlight or because the battery has just been used, the pilot lamp of UC18YKSL charger lights for 1 second, does not light for 0.5 seconds (off for 0.5 seconds). The battery will not be recharged. In such a case, let the battery cool before charging.

- When the pilot lamp flickers (at 0.2-second intervals), check for and take out any foreign objects in the charger's battery connector. If there are no foreign objects, it is probable that the battery or charger is malfunctioning. Take it to your authorized Service Center.

BEFORE USE

Check the work area to make sure that it is clear of debris and clutter.

Clear the area of unnecessary personnel. Ensure that lighting and ventilation is adequate.

OPERATION

1. Installing the bit
Always follow the following procedure to install driver bit. (Fig. 7)

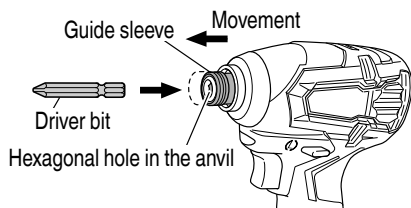


Fig. 7

- (1) Pull the guide sleeve forward.
- (2) Insert the bit into the hexagonal hole in the anvil.
- (3) Release the guide sleeve and it returns to its original position.

- ⚠ **CAUTION**
If the guide sleeve does not return to its original position, then the bit is not installed properly.

2. Removing the bit
Please do the opposite point on the method of installing bit.
3. Confirm that the battery is mounted correctly.
4. Check the rotational direction.
The bit rotates clockwise (viewed from the rear side) by pushing the R-side of the pushing button. The L-side of the pushing button is pushed to turn the bit counterclockwise (See Fig. 8). (The (L) and (R) marks are provided on the body.)

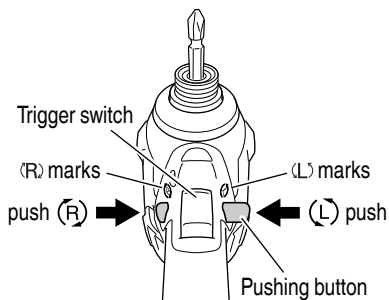


Fig. 8

- ⚠ **CAUTION**
The pushing button can not be switched while the power tool is turning. To switch the pushing button, stop the power tool, then set the pushing button.

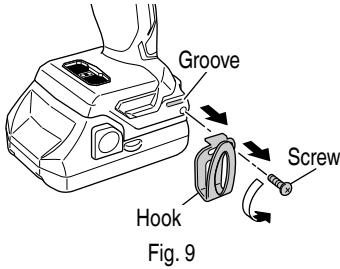
5. Switch operation
 - When the trigger switch is depressed, the tool rotates. When the trigger is released, the tool stops.
 - The rotational speed can be controlled by varying the amount that the trigger switch is pulled. Speed is low when the trigger switch is pulled slightly and increases as the trigger switch is pulled more.
 - When releasing the trigger of the switch, the brake will be applied for immediate stopping.

- NOTE**
A buzzing noise is produced when the motor is about to rotate; this is only a noise, not a machine failure.

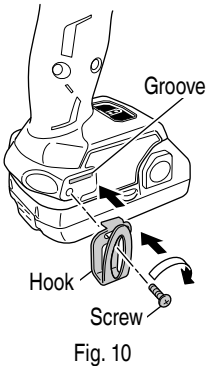
6. Using the hook
The hook is used to hang up the power tool to your waist belt while working.

- ⚠ **CAUTION**
 - When using the hook, hang up the power tool firmly not to drop accidentally. If the power tool is dropped, it may lead to an accident.
 - When electing to carry the tool hooked to your hip belt, make sure to detach the tool bit and side handle. Failure to do so may result in unexpected injury.
 - Install securely the hook. Unless the hook is securely installed, it may cause an injury while using.

- (1) Removing the hook.
Remove the screws fixing the hook with Philips screw driver. (Fig. 9)



- (2) Replacing the hook and tightening the screws.
Install securely the hook in the groove of power tool and tighten the screws to fix the hook firmly. (Fig. 10)

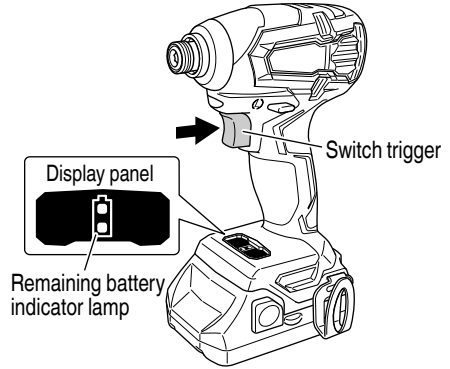


7. About Remaining Battery Indicator
Remaining battery power can be verified by pulling on the switch to light up the remaining battery indicator lamp. (Fig. 11)
The indicator lamp will turn off 10 seconds after the switch is released.
The Table 5 shows the state of remaining battery indicator lamp and the battery remaining power.

Table 5

State of lamp	Battery Remaining Power
	The battery remaining power is enough.
	The battery remaining power is a half.
	The battery remaining power is nearly empty. Re-charge the battery soonest possible.

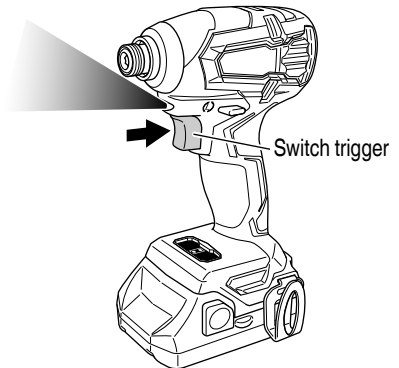
As the remaining battery indicator shows somewhat differently depending on ambient temperature and battery characteristics, read it as a reference.



NOTE

Do not give a strong shock to the display panel or break it. It may lead to a trouble.

8. How to use the LED light
While the switch is pulled, the LED light will automatically light up the tip portion of the tool. (Fig. 12)
The LED light will automatically turn off 10 seconds after the switch is released.



CAUTION

- Do not expose directly your eye to the light by looking into the light.
If your eye is continuously exposed to the light, your eye will be hurt.
- Wipe off any dirt or grime attached to the lens of the LED light with a soft cloth, being careful not to scratch the lens.
Scratches on the lens of the LED light can result in decreased brightness.

6. Confirm the tightening torque
The following factors contribute to a reduction of the tightening torque. So confirm the actual tightening torque needed by screwing up some bolts before the job with a hand torque wrench. Factors affecting the tightening torque are as follows.
 - (1) Voltage
When the discharge margin is reached, voltage decreases and tightening torque is lowered.
 - (2) Operating time
The tightening torque increases when the operating time increases. But the tightening torque does not increase above a certain value even if the tool is driven for a long time.
 - (3) Diameter of bolt
The tightening torque differs with the diameter of the bolt. Generally a larger diameter bolt requires larger tightening torque.
 - (4) Tightening conditions
The tightening torque differs according to the torque ratio; class, and length of bolts even when bolts with the same size threads are used. The tightening torque also differs according to the condition of the surface of workpiece through which the bolts are to be tightened. When the bolt and nut turn together, torque is greatly reduced.
 - (5) Tightening torque varies, depending on the battery's charge level.

MAINTENANCE AND INSPECTION

⚠ CAUTION: Pull out battery before doing any inspection or maintenance.

1. Checking the condition of the bit
The bits should be checked regularly. If worn or broken bits can slip or decrease the efficiency of the motor and burn it out.
Replace worn bits with new ones.

⚠ CAUTION
If you use a driver bit of which point is worn or broken, it will be dangerous since it slips. So replace it with a new one.

2. Check the Screws
Loose screws are dangerous. Regularly inspect them and make sure they are tight.

⚠ CAUTION
Using this power tool with loosened, screws is extremely dangerous.

3. Maintenance of the motor
The motor unit winding is the very "heart" of the power tool.
Exercise due care to ensure the winding does not become damaged and/or wet with oil or water.
4. Check for Dust
Dust may be removed with a soft cloth or a cloth dampened with soapy water.
Do not use bleach, chlorine, gasoline or thinner, for they may damage the plastics.
5. Disposal of the exhausted battery

⚠ WARNING
Do not dispose of the exhausted battery. The battery must explode if it is incinerated. The

product that you have purchased contains a rechargeable battery. The battery is recyclable. At the end of its useful life, under various state and local laws, it may be illegal to dispose of this battery into the municipal waste stream. Check with your local solid waste officials for details in your area for recycling options or proper disposal.

6. Storage
Storing in a place below 104°F (40°C) and out of the reach of children.

NOTE

Storing lithium-ion batteries
Make sure the lithium-ion batteries have been fully charged before storing them.
Prolonged storage (3 months or more) of batteries with a low charge may result in performance deterioration, significantly reducing battery usage time or rendering the batteries incapable of holding a charge.
However, significantly reduced battery usage time may be recovered by repeatedly charging and using the batteries two to five times.
If the battery usage time is extremely short despite repeated charging and use, consider the batteries dead and purchase new batteries.

7. Service and repairs
All quality power tools will eventually require servicing or replacement of parts because of wear from normal use.
To assure that only authorized replacement parts will be used, all service and repairs must be performed by a HITACHI AUTHORIZED SERVICE CENTER, ONLY.

8. Service parts list

⚠ CAUTION

Repair, modification and inspection of Hitachi Power Tools must be carried out by a Hitachi Authorized Service Center.

This Parts List will be helpful if presented with the tool to the Hitachi Authorized Service Center when requesting repair or other maintenance. In the operation and maintenance of power tools, the safety regulations and standards prescribed in each country must be observed.

MODIFICATIONS:

Hitachi Power Tools are constantly being improved and modified to incorporate the latest technological advancements.

Accordingly, some parts may be changed without prior notice.

Important notice on the batteries for the Hitachi cordless power tools

Please always use one of our designated genuine batteries. We cannot guarantee the safety and performance of our cordless power tool when used with batteries other than these designated by us, or when the battery is disassembled and modified (such as disassembly and replacement of cells or other internal parts).

TROUBLESHOOTING GUIDE**⚠ WARNING**

- **To avoid injury from an accidental start, turn the switch OFF and remove the plug from the power source or remove the battery from the main body before making any adjustments.**
- **All electrical or mechanical repairs should be done only by qualified service technicians. Contact Hitachi Authorized Service Center.**

Problem	Possible Cause	Possible Solution
Tool doesn't run	No remaining battery power	Charge the battery.
	The trigger switch was held down while the battery was inserted.	The safety function was activated. If the trigger switch is released once and then pulled again, the tool will run.
Tool suddenly stopped	Tool was overburdened	Get rid of the problem causing the overburden.
	The battery is overheated.	Let the battery cool down.
	The trigger switch was held down for 5 minutes or more.	This is not a malfunction. The motor was automatically stopped to prevent failure of the tool.
Tool bits -can't be attached -fall off	The shape of the attachment portion doesn't match	Use a bit with a hexagonal shaft that has a width across flats of 6.35 mm.
		If you are using an L-type tool bit, replace it with an S-type bit.
Switch can't be pulled	Forward/reverse selector button is positioned halfway	Press the button firmly into position for the desired direction of rotation.
An abnormal high-pitched noise occurs when the trigger switch is pulled.	The trigger switch is being pulled only slightly.	This is not a malfunction. It does not occur if the trigger switch is pulled more fully.
Screw head slips or comes loose.	Bit number doesn't match with the screw size	Install a suitable bit.
	The bit is worn	Replace with a new bit.

ACCESSORIES

⚠ WARNING

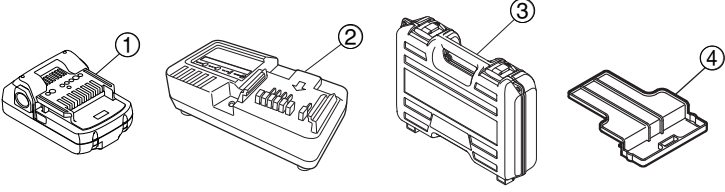
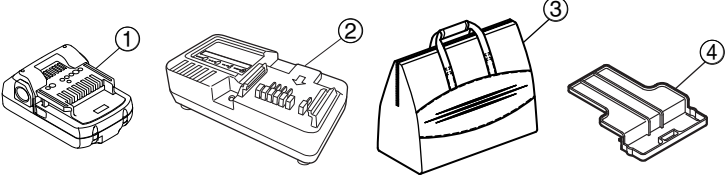
ALWAYS use Only authorized HITACHI replacement parts and accessories. Never use replacement parts or accessories which are not intended for use with this tool. Contact HITACHI if you are not sure whether it is safe to use a particular replacement part or accessory with your tool.

The use of any other attachment or accessory can be dangerous and could cause injury or mechanical damage.

NOTE

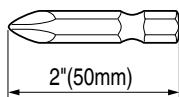
Accessories are subject to change without any obligation on the part of the HITACHI.

STANDARD ACCESSORIES

WH18DBFL2 (2LEGK)	 <p> ① Battery (BSL1815) 2 ② Battery Charger (UC18YKSL) 1 ③ Plastic Case (Code No. 336642) 1 ④ Battery cover (Code No. 329897) 1 </p>
WH18DBFL2 (LMGX)	 <p> ① Battery (BSL1830C) 1 ② Battery Charger (UC18YKSL) 1 ③ Bag (Code No. 331417) 1 ④ Battery cover (Code No. 329897) 1 </p>

OPTIONAL ACCESSORIES.....sold separately

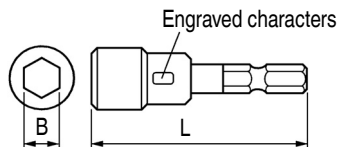
1. Battery (BSL1815 / BSL1830C)
2. Phillips bit



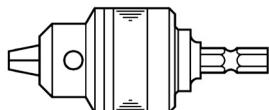
Bit No.	Code No.
No.2	992671
No.3	992672

3. Hexagonal socket

Part Name	Engraved characters	L	B	Code No.
5 mm Hexagonal socket	8	65	8	996177
6 mm Hexagonal socket	10	65	10	985329
5/16" Hexagonal socket	12	65	12	996178
8 mm Hexagonal socket	13	65	13	996179
10 mm Hexagonal socket (small type)	14	65	14	996180
10 mm Hexagonal socket	16	65	16	996181
10 mm Hexagonal socket	17	65	17	996182
1/2" Hexagonal long socket	21	166	21	996197



4. Drill chuck adapter set: Code No. 321823
Use the drill available on the market.

**NOTE**

Specifications are subject to change without any obligation on the part of the HITACHI.

INFORMATIONS IMPORTANTES DE SÉCURITÉ

Lire et comprendre toutes les précautions de sécurité, les avertissements et les instructions de fonctionnement dans ce mode d'emploi avant d'utiliser ou d'entretenir cet outil motorisé.

La plupart des accidents causés lors de l'utilisation ou de l'entretien de l'outil motorisé proviennent d'un non respect des règles ou précautions de base de sécurité. Un accident peut la plupart du temps être évité si l'on reconnaît une situation de danger potentiel avant qu'elle ne se produise, et en observant les procédures de sécurité appropriées.

Les précautions de base de sécurité sont mises en évidence dans la section "SECURITE" de ce mode d'emploi et dans les sections qui contiennent les instructions de fonctionnement et d'entretien.

Les dangers qui doivent être évités pour prévenir des blessures corporelles ou un endommagement de la machine sont identifiés par AVERTISSEMENTS sur l'outil motorisé et dans ce mode d'emploi.

NE JAMAIS utiliser cet outil motorisé d'une manière qui n'est pas spécifiquement recommandée par HITACHI.

SIGNIFICATION DES MOTS D'AVERTISSEMENT

AVERTISSEMENT indique des situations potentiellement dangereuses qui, si elles sont ignorées, pourraient entraîner la mort ou de sérieuses blessures.

PRECAUTION indique des situations dangereuses potentielles qui, si elles ne sont pas évitées, peuvent entraîner de mineures et légères blessures ou endommager la machine.

REMARQUE met en relief des informations essentielles.

SECURITE

AVERTISSEMENTS DE SÉCURITÉ GÉNÉRAUX CONCERNANT LES OUTILS ÉLECTRIQUES

AVERTISSEMENT

Lire tous les avertissements de sécurité et toutes les instructions

Tout manquement à observer ces avertissements et instructions peut engendrer des chocs électriques, des incendies et/ou des blessures graves.

Conservez tous les avertissements et toutes les instructions pour vous y référer ultérieurement.

Le terme "outil électrique", utilisé dans les avertissements, se réfère aux outils électriques (câblé) ou aux outils à piles (sans fil).

1) Sécurité de l'aire de travail

a) Maintenir l'aire de travail propre et bien éclairée.

Les endroits encombrés ou sombres sont propices aux accidents.

b) Ne pas utiliser d'outils électriques en présence de liquides, gaz ou poussière inflammables, au risque de provoquer une explosion.

Les outils électriques créent des étincelles susceptibles d'enflammer la poussière.

c) Ne pas laisser les enfants et les visiteurs s'approcher de vous lorsque vous utiliser un outil électrique.

Les distractions peuvent faire perdre le contrôle.

2) Sécurité électrique

a) Les prises de l'outil électrique doivent correspondre à la prise secteur.

Ne jamais modifier la prise.

Ne pas utiliser d'adaptateurs avec les outils électriques mis à la masse.

Les prises non modifiées et les prises secteurs correspondantes réduisent les risques de choc électrique.

b) Éviter tout contact avec les surfaces mises à la masse telles que les tuyaux, radiateurs, bandes et réfrigérateurs.

Le risque de choc électrique est accru en cas de mise à la masse du corps.

c) Ne pas exposer les outils électriques à la pluie ou à des conditions humides.

Si l'eau pénètre dans l'outil, cela augmente les risques de choc électrique.

d) Ne pas utiliser le cordon à tort. Ne jamais utiliser le cordon pour transporter ou débrancher l'outil électrique.

Maintenir le cordon loin de la chaleur, de l'huile, des bords pointus ou des pièces mobiles.

Les cordons endommagés ou usés augmentent les risques de choc électrique.

- e) **En cas d'utilisation d'un outil électrique à l'extérieur, utiliser un cordon de rallonge adapté à un usage extérieur.**

L'utilisation d'un cordon adapté à l'usage extérieur réduit les risques de choc électrique.

- f) **Si vous devez utiliser un outil électrique dans un endroit humide, utilisez une alimentation protégée contre les courants résiduels.**

L'utilisation d'un dispositif de protection contre les courants résiduels réduit le risque de choc électrique.

3) Sécurité personnelle

- a) **Restez alerte, regarder ce que vous faites et usez de votre bon sens en utilisant un outil électrique.**

Ne pas influencer d'outil électrique si vous êtes sous l'influence de drogues, d'alcool ou de médicaments.

Pendant l'utilisation d'outils électrique, un instant d'inattention peut entraîner des blessures graves.

- b) **Utiliser un équipement de protection individuelle. Toujours porter des verres de protection.**

L'utilisation d'équipements de protection tels que les masques anti-poussière, les chaussures de sécurité anti-dérapantes, les casques ou les protections auditives dans des conditions appropriées réduisent les risques de blessures.

- c) **Empêcher les démarrages intempestifs. Veiller à ce que l'interrupteur soit en position d'arrêt avant de brancher à une source d'alimentation et/ou une batterie, de ramasser l'outil au sol ou de le transporter.**

Transporter les outils électriques avec le doigt sur l'interrupteur ou brancher les outils électriques avec l'interrupteur en position de marche peut entraîner des accidents.

- d) **Retirer toute clé de sécurité ou clé avant de mettre l'outil électrique en marche.**

Laisser une clé ou une clé de sécurité sur une partie mobile de l'outil électrique peut engendrer des blessures.

- e) **Ne pas trop se pencher. Toujours garder une bonne assise et un bon équilibre pendant le travail.**

Cela permet un meilleur contrôle de l'outil électrique dans des situations imprévisibles.

- f) **Porter des vêtements adéquats. Ne pas porter de vêtements amples ni de bijoux. Maintenir les cheveux, les vêtements et les gants loin des pièces mobiles.**

Les vêtements amples ou les cheveux longs peuvent se prendre dans les pièces mobiles.

- g) **En cas de dispositifs destinés au raccordement d'installations d'extraction et de recueil de la poussière, veiller à ce qu'ils soient correctement raccordés et utilisés.**

L'utilisation d'un dispositif de collecte de la poussière peut réduire les dangers associés à la poussière.

4) Utilisation et entretien d'un outil électrique

- a) **Ne pas forcer sur l'outil électrique. Utiliser l'outil électrique adapté à vos travaux.**

Le bon outil électrique fera le travail mieux et en toute sécurité au régime pour lequel il a été conçu.

- b) **Ne pas utiliser l'outil électrique si l'interrupteur ne le met pas en position de marche et d'arrêt.**

Tout outil ne pouvant être contrôlé par l'interrupteur est dangereux et doit être réparé.

- c) **Débrancher la prise ou retirer la batterie avant de procéder à des réglages, au remplacement des accessoires ou au stockage des outils électriques.**

Ces mesures préventives de sécurité réduisent les risques de démarrage accidentel de l'outil électrique.

- d) **Stockez les outils électriques inutilisés hors de la portée des enfants et ne pas laisser des personnes non familiarisées avec l'outil ou ces instructions utiliser l'outil électrique.**

Les outils électriques sont dangereux entre les mains d'utilisateurs non habilités.

- e) **Entretenir les outils électriques. Vérifier l'absence de mauvais alignement ou d'arrêt, d'endommagement de pièces ou toute autre condition susceptible d'affecter l'opération de l'outil.**

Si l'outil est endommagé, le faire réparer avant utilisation.

De nombreux accidents sont dus à des outils mal entretenus.

- f) **Maintenir les outils coupants aiguisés et propres.**

Des outils coupants bien entretenus avec des bords aiguisés sont moins susceptibles de se coincer et plus simples à contrôler.

- g) **Utiliser l'outil électrique, les accessoires et les mèches de l'outil, etc. conformément à ces instructions en tenant compte des conditions d'utilisation et du travail à réaliser.**

L'utilisation de l'outil électrique pour des opérations différentes de celles pour lesquelles il a été conçu est dangereuse.

5) Utilisation et entretien de la batterie

- a) **Recharger la batterie uniquement avec le chargeur recommandé par le fabricant.**

Un chargeur inadéquat pour le type de batterie peut entraîner un risque d'incendie en cas d'utilisation avec une autre batterie.

b) Utiliser les outils électriques uniquement avec les batteries spécifiées.

L'utilisation d'autres batteries peut entraîner un risque de blessures et d'incendie.

c) Lorsque la batterie est inutilisée, la garder à l'écart d'objets métalliques comme des trombones, des pièces de monnaie, des clés, des clous, des vis ou autres petits objets métalliques pouvant raccorder les bornes.

La connexion des bornes peut entraîner des blessures ou un incendie.

d) En cas d'utilisation dans des conditions extrêmes, du liquide peut être émis de la batterie. Éviter tout contact. En cas de contact accidentel, rincer à l'eau. Si le liquide entre en contact avec les yeux, consulter un médecin.

Le liquide émis par la batterie peut entraîner des irritations et des brûlures.

6) Service

a) Faire entretenir l'outil électrique par un technicien habilité à l'aide de pièces de rechange identiques exclusivement.

Cela garantira le maintien de la sécurité de l'outil électrique.

—AVERTISSEMENT—

Pour réduire tout risque de blessure, l'utilisateur doit lire le mode d'emploi.

AVERTISSEMENT

La poussière résultant d'un ponçage, d'un sciage, d'un meulage, d'un perçage ou de toute autre activité de construction renferme des produits chimiques qui sont connus par l'Etat de Californie pour causer des cancers, des défauts de naissance et autres anomalies de reproduction. Nous énumérons ci-dessus certains de ces produits chimiques:

- Plomb des peintres à base de plomb,
- Silice cristalline des briques et du ciment et autres matériaux de maçonnerie, et
- Arsenic et chrome du bois d'œuvre traité chimiquement.

Le risque d'exposition à ces substances varie en fonction de la fréquence d'exécution de ce genre de travail. Pour réduire l'exposition à ces produits chimiques, travailler dans un lieu bien ventilé, et porter un équipement de protection agréé, par exemple un masque anti-poussière spécialement conçu pour filter les particules microscopiques.

REGLES DE SECURITE SPECIFIQUES ET SYMBOLES

1. Tenir l'outil électrique par les surfaces isolées permettant de l'agripper pour effectuer une opération où coupel'attache peut entrer en contact avec des fils électriques masqués.

Le contact de l'attache avec un fil sous tension peut transmettre du courant dans les pièces métalliques exposées de l'outil et communiquer une décharge électrique à l'opérateur.

2. TOUJOURS porter des protecteurs d'oreille lors de l'utilisation de l'outil pendant de longues périodes.



Une exposition prolongée à un son de forte intensité peut endommager l'ouïe de l'utilisateur.

3. NE JAMAIS approcher les mains ni aucune autre partie du corps de la mèche ou du mandrin pendant le travail. Tenir la marteau à choc uniquement par sa poignée.

4. La marteau à choc sans fil, bien avoir conscience qu'elle est constamment prête à fonctionner.

5. Lors d'un travail en position élevée, évacuer tout le monde de l'aire de travail et ne pas oublier qu'on travaille en hauteur.

6. NE JAMAIS toucher les parties mobiles. NE JAMAIS placer ses mains, ses doigts ou toute autre partie de son corps près des parties mobiles de l'outil.

7. NE JAMAIS utiliser l'outil sans que tous les dispositifs de sécurité ne soient en place.

NE JAMAIS faire fonctionner cet outil sans que tous les dispositifs et caractéristiques de sécurité ne soient en place et en état de fonctionnement. Si un entretien ou une réparation nécessite le retrait d'un dispositif ou d'une caractéristique de sécurité, s'assurer de bien remettre en place le dispositif ou la caractéristique de sécurité avant de recommencer à utiliser l'outil.

8. Utiliser l'outil correct
Ne pas forcer sur un petit outil ou accessoire pour faire le travail d'un outil de grande puissance. Ne pas utiliser un outil pour un usage pour lequel il n'a pas été prévu: par exemple, ne pas utiliser une scie circulaire pour couper des branches d'arbre ou des bûches.

9. NE JAMAIS utiliser un outil motorisé pour des applications autres que celles spécifiées.

NE JAMAIS utiliser un outil motorisé pour des applications autres que celles spécifiées dans le mode d'emploi.

10. Manipuler l'outil correctement

Utiliser l'outil de la façon indiquée dans ce mode d'emploi. Ne pas laisser tomber ou lancer l'outil. **NE JAMAIS** permettre que l'outil soit utilisé par des enfants, des personnes non familiarisées avec son fonctionnement ou un personnel non autorisé.

11. Maintenir toutes les vis, tous les boulons et les couvercles fermement en place.

Maintenir toutes les vis, tous les boulons et les couvercles fermement montés. Vérifier leurs conditions périodiquement.

12. Ne pas utiliser les outils motorisés si le revêtement de plastique ou la poignée est fendu.

Des fentes dans le revêtement ou la poignée peuvent entraîner une électrocution. De tels outils ne doivent pas être utilisés avant d'être réparé.

13. Les lames et les accessoires doivent être fermement montés sur l'outil.

Éviter les blessures potentielles personnelles et aux autres. Les lames, les instruments de coupe et les accessoires qui ont été montés sur l'outil doivent être fixés et serrés fermement.

14. NE JAMAIS utiliser un outil défectueux ou qui fonctionne anormalement.

Si l'outil n'a pas l'air de fonctionner normalement, fait des bruits étranges ou sans cela paraît défectueux, arrêter de l'utiliser immédiatement et le faire réparer par un centre de service Hitachi autorisé.

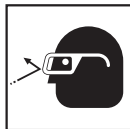
15. Manipuler l'outil motorisé avec précaution.

Si un outil motorisé tombe ou frappe un matériau dur accidentellement, il risque d'être déformé, fendu ou endommagé.

16. Ne pas essuyer les parties en plastique avec du solvant.

Les solvants comme l'essence, les diluants, la benzine, le tétrachlorure de carbone et l'alcool peuvent endommager et fissurer les parties en plastique. Ne pas les essuyer avec de tels solvants.

Essuyer les parties en plastique avec un chiffon doux légèrement imbibé d'une solution d'eau savonneuse et sécher minutieusement.

17. TOUJOURS porter des lunettes des protections conformes aux exigences des dernières révisions du standard ANSI Z87.1.**18. Définitions pour les symboles utilisés sur cet outil**

V volts

== courant continu

No vitesse sans charge

---/min rotations ou mouvements de va-et-vient par minute

**CONSIGNES DE SÉCURITÉ
IMPORTANTES POUR L'UTILISATION DU
MARTEAU À CHOC SANS FIL**

⚠ AVERTISSEMENT

Une utilisation incorrecte ou sans sécurité du marteau à choc sans fil risque d'entraîner la mort ou des blessures graves. Pour éviter ces risques, observer les consignes de sécurité élémentaires suivantes :

- NE JAMAIS** utiliser ce manche de tournevis pour une application autre que celles décrites dans le manuel.
- NE JAMAIS** mettre les mains ni aucune autre partie du corps près du foret ni du mandrin pendant le fonctionnement. Tenir le marteau à choc uniquement par son manche.
- Lors d'un travail en hauteur, **toujours** s'assurer qu'il n'y a personne dessous avant de commencer.
- TOUJOURS** porter des protections pour les yeux et les oreilles pendant le travail.
- TOUJOURS** insérer le foret à fond. Un foret lâche serait dangereux car il pourrait se détacher pendant le travail.
- TOUJOURS** utiliser un foret correspondant à la taille du tournevis.
- TOUJOURS** disposer la vis que l'on veut enfoncer et le marteau à choc en ligne droite. Avec ce marteau à choc, le fait de travailler à angle par rapport à la vis risque d'endommager la tête de la vis et ne permettra pas d'obtenir le couple de serrage spécifié.

**CONSIGNES DE SÉCURITÉ IMPOR-
TANTES POUR LE CHARGEUR DE
BATTERIE**

⚠ AVERTISSEMENT

Une utilisation incorrecte ou dangereuse des chargeurs de batterie peut entraîner la mort ou des blessures graves.

LIRE TOUT CE MODE D'EMPLOI

- Ce manuel renferme des consignes de sécurité et d'utilisation importantes pour le chargeur de batterie modèle UC18YKSL.
- Avant d'utiliser le chargeur de batterie, lire toutes les étiquettes d'instruction et de précaution apposées sur (1) le chargeur de batterie, (2) la batterie, et (3) le produit utilisant la batterie.
- Pour réduire tout risque de blessure, **NE** recharger **QUE** les batteries rechargeables HITACHI utilisées dans le modèle série BSL18. Les autres types de batterie pourraient exploser et provoquer des blessures ou des dommages.

4. Ne pas exposer le chargeur à la pluie ni à la neige.
5. L'utilisation d'un accessoire non recommandé ou non vendu par le fabricant du chargeur de batterie risque de provoquer un feu, une décharge électrique ou des blessures.
6. Pour réduire tout risque de dommage de la fiche et du cordon électrique, débrancher le cordon du chargeur en tirant sur la fiche.
7. Vérifier que le cordon est placé de façon que personne ne puisse marcher dessus, se prendre les pieds dedans, ni l'endommager ou le soumettre à des contraintes.
8. Ne pas utiliser de cordon de rallonge si cela n'est pas absolument nécessaire. L'utilisation d'un cordon de rallonge incorrect pourrait entraîner un feu ou une décharge électrique. Si l'on doit utiliser un cordon de rallonge, s'assurer que:
 - a. Les broches de la rallonge ont les mêmes numéro, taille et forme que celles de la fiche du chargeur ;
 - b. Le cordon de rallonge est correctement raccordé et en bon état électrique ;
 - c. Le calibre du fil doit être au moins suffisant pour l'intensité nominale CA (ampères) du chargeur de batterie spécifiées dans le tableau ci-dessous.

Tableau 1
**CALIBRE MINIMUM RECOMMANDÉ POUR LES CORDONS
 DE RALLONGE DES CHARGEURS DE BATTERIE**

Intensité nominale d'entrée CA (ampères)*		Calibre du cordon			
Egal ou supérieur à	mais non inférieur à	Longueur de cordon en pieds (mètres)			
		25 (7.5)	50 (15)	100 (30)	150 (45)
0	2	18	18	18	16
2	3	18	18	16	14
3	4	18	18	16	14

- * Si l'intensité nominale d'entrée du chargeur de batterie est donnée en watts et non en ampères, calculer la capacité en ampères correspondante en divisant la capacité en ampères par la capacité de tension, par exemple:

$$\frac{1,250 \text{ watts}}{125 \text{ volts}} = 10 \text{ ampères}$$

9. Ne pas utiliser le chargeur si son cordon ou sa fiche sont endommagés - Le remplacer immédiatement.
10. Ne pas utiliser le chargeur s'il a reçu un coup, s'il est tombé ou endommagé de toute autre manière. L'apporter à un réparateur qualifié.
11. Ne pas démonter le chargeur ni le produit qui reçoit la batterie ; si un entretien ou des réparations sont nécessaires, les apporter à un réparateur qualifié. Un remontage incorrect pourrait provoquer une décharge électrique ou un feu.
12. Pour réduire tout risque de décharge électrique, débrancher le chargeur de la prise secteur avant tout entretien ou nettoyage. Il ne suffit pas de sortir la batterie.

CONSIGNES DE SÉCURITÉ IMPORTANTES POUR L'UTILISATION DE LA BATTERIE ET DU CHARGEUR DE BATTERIE

Pour pouvoir utiliser la scie circulaire à batterie, il faudra recharger la batterie. Avant d'utiliser le chargeur de batterie modèle UC18YKSL, bien lire attentivement toutes les consignes et les avertissements signalés sur le chargeur, sur la batterie ou dans ce manuel.

**⚠ PRECAUTION
 UTILISER EXCLUSIVEMENT LE BATTERIE
 HITACHI DE SÉRIE BSL18. LES AUTRES TYPES
 DE BATTERIE POURRAIENT EXPLOSER OU
 PROVOQUER DES BLESSURES.**

Pour éviter tout risque de blessure, observer les consignes suivantes:

**⚠ AVERTISSEMENT
 Une utilisation incorrecte de la batterie ou du
 chargeur de batterie risque de provoquer des
 blessures. Pour éviter tout risque de blessure:**

1. **NE JAMAIS** démonter la batterie.
2. **NE JAMAIS** jeter la batterie au feu, même si elle est endommagée ou complètement usée. La batterie risque d'exploser au feu.
3. **NE JAMAIS** court-circuiter la batterie.

4. **NE JAMAIS** insérer d'objets dans les ouïes d'aération du chargeur. Il pourrait en résulter un choc électrique ou des dommages du chargeur.
5. **NE JAMAIS** effectuer la recharge à l'extérieur. Eloigner la batterie des rayons directs du soleil et utiliser exclusivement dans des endroits à faible humidité et bien aérés.
6. **NE JAMAIS** effectuer la recharge si la température est inférieure à 32°F (0°C) ou supérieure à 104°F (40°C).
7. **NE JAMAIS** raccorder deux chargeurs de batterie ensemble.
8. **NE JAMAIS** insérer de corps étrangers dans l'orifice de la batterie ou du chargeur de batterie.
9. **NE JAMAIS** utiliser de transformateur-élévateur pour la recharge.
10. **NE JAMAIS** utiliser de générateur de moteur ni d'alimentation CC pour la recharge.
11. **NE JAMAIS** ranger la batterie ni le chargeur de batterie dans un lieu où la température peut atteindre ou dépasser 104°F (40°C).
12. **TOUJOURS** alimenter le chargeur sur une prise secteur domestique standard (120 volts). L'utilisation du chargeur à une autre tension peut entraîner une surchauffe et endommager le chargeur.
13. **TOUJOURS** attendre au moins 15 minutes entre deux recharges pour éviter toute surchauffe du chargeur.
14. **TOUJOURS** débrancher le cordon d'alimentation de la prise secteur lorsqu'on ne se sert pas du chargeur.

PRÉCAUTIONS RELATIVES A LA BATTERIE AU LITHIUM ION

Pour prolonger sa durée de vie, la batterie lithium-ion est équipée d'une fonction de protection qui coupe automatiquement l'alimentation.

Dans les cas 1 à 3 décrits ci-dessous, il est possible que le moteur s'arrête lorsque vous utilisez ce produit, même si vous actionnez le commutateur. Il ne s'agit pas d'un dysfonctionnement, mais du fonctionnement normal de la protection.

1. Lorsque la charge restante de la batterie diminue, le moteur s'arrête.
Dans ce cas de figure, chargez immédiatement la batterie.
2. En cas de surcharge de l'outil, actionnez le commutateur de l'outil et éliminez les causes de la surcharge. Vous pouvez ensuite recommencer à utiliser l'outil.
3. En cas de surchauffe due à un travail trop intensif, l'alimentation de la batterie peut se couper.
Dans ce cas, arrêtez toute utilisation de la batterie et laissez-la refroidir. Vous pouvez ensuite recommencer à l'utiliser.

En outre, respectez la précaution et l'avertissement suivants.

⚠ AVERTISSEMENT

Afin d'éviter toute fuite de la batterie, génération de chaleur, émission de fumée, explosion et inflammation, respectez scrupuleusement les précautions suivantes :

1. Assurez-vous que les copeaux et la poussière ne s'accumulent pas sur la batterie.
 - Lorsque vous travaillez, assurez-vous que les copeaux et la poussière ne tombent pas sur la batterie.
 - Assurez-vous que les copeaux et la poussière qui tombent sur l'outil lorsque vous travaillez ne s'accumulent pas sur la batterie.
 - Ne conservez pas une batterie inutilisée dans un endroit qui est exposé aux copeaux et à la poussière.
 - Avant de stocker une batterie, retirez tous les copeaux et la poussière qui ont pu y adhérer et ne la conservez pas avec des pièces métalliques (vis, clous, etc.).
2. Ne percez pas la batterie à l'aide d'un objet pointu tel qu'un clou. Ne la frappez pas à l'aide d'un marteau. Ne marchez pas dessus, ne la lancez pas et ne la soumettez pas un à choc physique important.
3. N'utilisez pas une batterie dont l'extérieur est déformé ou laisse penser qu'elle est défectueuse.
4. N'insérez pas la batterie à l'envers (pôles inversés).
5. Ne raccordez pas directement la batterie à une prise électrique ou à un allume-cigare.
6. N'utilisez pas la batterie à d'autres fins que celle spécifiée.
7. En cas d'échec du chargement d'une batterie, même après un certain délai, arrêtez immédiatement le rechargement.
8. N'exposez pas la batterie à des températures ou à une pression élevées (four à micro-ondes, séchoir, conteneur sous haute pression).
9. Maintenez à la batterie à l'écart de toute flamme en cas de détection d'une fuite ou d'une mauvaise odeur.
10. Ne pas utiliser à proximité d'une source puissante d'électricité statique.
11. En cas de fuite de la batterie, de mauvaise odeur, de génération de chaleur, de décoloration, de déformation ou d'anomalie en cours d'utilisation, de rechargement ou d'entreposage, ôtez immédiatement la batterie de l'équipement ou du chargeur de batterie et ne l'utilisez plus.

⚠ PRECAUTION

1. En cas de projection dans les yeux de liquide ayant fui de la batterie, ne vous frottez pas les yeux, rincez-les à l'eau claire et contactez immédiatement un médecin.

En l'absence de traitement, le liquide peut détériorer l'oeil.

- En cas de projection de liquide ayant fuit de la batterie sur votre peau ou vos vêtements, rincez immédiatement ces derniers à l'eau claire (au robinet). Le liquide peut provoquer une irritation de la peau.
- En cas de détection de rouille, de mauvaise odeur, de surchauffe, de décoloration, de déformation et/ou autres anomalies lors de la première utilisation de la batterie, n'utilisez pas cette dernière et renvoyez-la au fournisseur ou au fabricant.

⚠ AVERTISSEMENT

Un court-circuit risque de se produire et causer un incendie, si un corps étranger conducteur d'électricité passe dans les bornes de la pile au lithium-ion. Veuillez respecter les consignes suivantes pour le rangement de la pile.

- Ne pas mettre d'objet conducteur d'électricité, tels que clous, fil d'acier, de cuivre ou autre fil dans la mallette de rangement.
- Soit ranger le bloc de pile avec l'outil électrique ou de manière sécuritaire en l'enfonçant dans le couvercle jusqu'à ce que les orifices de ventilation soient dissimulés afin d'éviter les courts-circuits. (Voir la Fig. 3)

À PROPOS DU TRANSPORT DE LA BATTERIE LITHIUM-ION

Lors du transport d'une batterie lithium-ion, veuillez observer les précautions suivantes.

⚠ AVERTISSEMENT

Informez la société de transport qu'un paquet contient une batterie lithium-ion, informez la société de sa puissance de sortie et suivez les instructions de la société de transport lors de l'organisation du transport.

- Les batteries lithium-ion qui dépassent une puissance de sortie de 100 Wh font partie de la classification de transport des produits dangereux et nécessitent l'application de procédures spéciales.
- Pour un transport vers l'étranger, vous devez vous conformer aux lois internationales et aux normes et réglementations en vigueur dans le pays de destination.

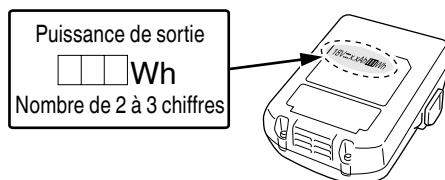


Fig. 1

**CONSERVER CES INSTRUCTIONS
ET
LES METTRE A LA DISPOSITION DES AUTRES
UTILISATEURS
ET
PROPRIETAIRES DE CET OUTIL!**

DESCRIPTION FONCTIONNELLE

REMARQUE

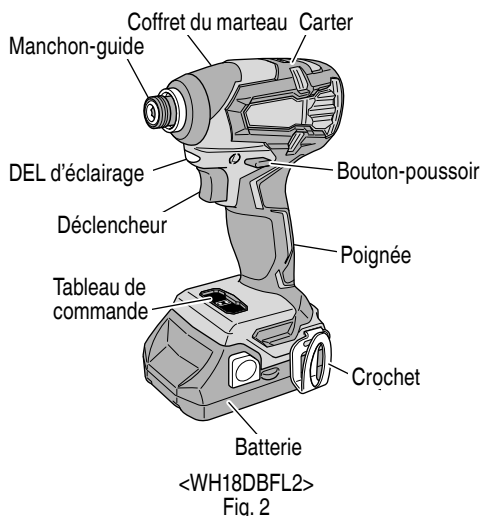
Les informations contenues dans ce mode d'emploi sont conçues pour assister l'utilisateur dans une utilisation sans danger et un entretien de l'outil motorisé.

NE JAMAIS utiliser ni entreprendre une révision de l'outil sans avoir d'abord lu et compris toutes les instructions de sécurité contenues dans ce manuel.

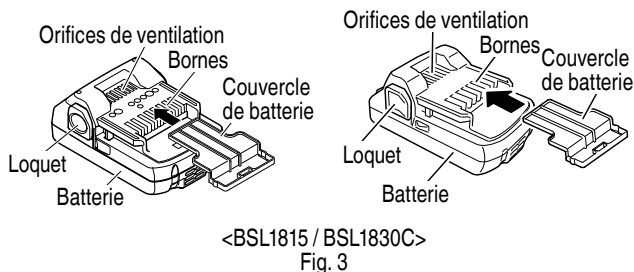
Certaines illustrations dans ce mode d'emploi peuvent montrer des détails ou des accessoires différents de ceux de l'outil motorisé utilisé.

NOM DES PARTIES

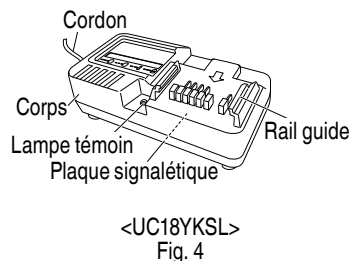
1. Marteau à choc sans fil (WH18DBFL2)



2. Batterie



3. Chargeur de batterie



SPECIFICATIONS

1. Marteau à choc sans fil

Modèle		WH18DBFL2	
Vitessa à vide		0 – 3,100 /min	
Capacité	Petite vis	5/32" (M4) – 5/16" (M8)	
	Boulon ordinaire	3/16" (M5) – 5/8" (M16)	
	Boulon hautement extensible	3/16" (M5) – 15/32" (M12)	
Couple de serrage		Maximum 1,522 in-lbs {172 N·m 1,754 kgf·cm} Le serrage est un boulon hautement extensible 5/8" (M16), complètement chargé à une température de 68°F (20°C). Temps de serrage: 3 sec.	
Taille de queue de foret		Hexagonale, 1/4" (6.35 mm)	
Batterie	Modèle	BSL1815 (1.5 Ah)	BSL1830C (3.0 Ah)
	Type	Batterie au Li-ion	
	Tension	CC 18 V	
Poids		2.9 lbs. (1.3 kg)	

2. Chargeur de batterie

Modèle		UC18YKSL	
Source d'alimentation d'entrée		Monophasée: CA 120 V 60 Hz	
Durée de recharge (à une température de 68°F (20°C))		BSL1830C : Environ 90 min BSL1815 : Environ 40 min	
Tension de charge		CC 14.4 – 18 V	
Courant de charge		CC 2.0 A	
Poids		0.8 lbs. (0.35 kg)	

REMARQUE: La durée de recharge peut varier en fonction de la température et de la tension de la source d'alimentation.

ASSEMBLAGE ET FONCTIONNEMENT

UTILISATIONS

- Enfoncement et extraction de vis mécaniques, vis de bois, vis de taraudage, etc.

MÉTHODE DE RETRAIT ET D'INSTALLATION DE LA BATTERIE

1. Retrait de la batterie
Maintenir fermement la poignée et pousser le taquet de la batterie pour l'enlever (voir Fig. 5).

⚠ PRECAUTION
Ne jamais court-circuiter la batterie.

2. Mise en place de la batterie
Insérer la batterie tout en respectant la polarité (voir Fig. 5).

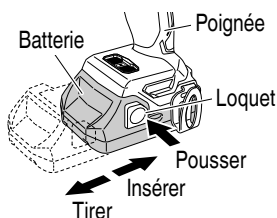


Fig. 5

MÉTHODE DE RECHARGE

REMARQUE

Avant de brancher le chargeur dans la prise, vérifier les points suivants.

- La tension de la source d'alimentation est indiquée sur la plaque signalétique.
- Le cordon n'est pas endommagé.

⚠ AVERTISSEMENT

Ne pas effectuer de recharge à une tension supérieure à la tension indiquée sur la plaque signalétique. Cela brûlerait le chargeur.

1. Insérez la fiche du chargeur de batterie dans la prise. Une fois que la fiche du chargeur de batterie est branchée dans la prise, la lampe témoin clignote rouge. (À intervalles de 1 seconde)



⚠ AVERTISSEMENT
Ne pas utiliser le cordon électrique s'il est endommagé. Le faire réparer immédiatement.

2. Insérer la batterie dans le chargeur de batterie. Insérer la batterie dans le chargeur de batterie comme indiqué à la Fig.6.

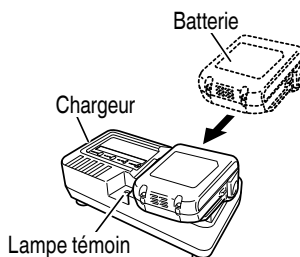


Fig. 6

3. Recharge
Quand la batterie est insérée dans le chargeur de batterie, la charge débute et la lampe témoin s'allume en rouge. (Voir le Tableau 2)






REMARQUE

Si la lampe témoin ne s'allume pas ou clignote rouge, retirez la fiche de la prise et vérifiez si la batterie est correctement montée.

Quand la batterie est rechargée à fond, la lampe témoin clignote lentement en rouge. (À intervalles d'une seconde) (Voir le Tableau 2)

- (1) Indication de la lampe témoin
Les indications de la lampe témoin sont expliquées dans le Tableau 2, selon la condition du chargeur ou de la batterie rechargeable.

Tableau 2

Explications de la lampe témoin				
Lampe témoin (rouge)	Avant la recharge	Clignote	S'allume pendant 0.5 seconde. Ne s'allume pas pendant 0.5 seconde. (Eteint pendant 0.5 seconde) 	
	Pendant la recharge	S'allume	S'allume sans interruption 	
	Recharge terminée	Clignote	S'allume pendant 0.5 seconde. Ne s'allume pas pendant 0.5 seconde. (Eteint pendant 0.5 seconde) 	
	Veille en surchauffe	Clignote	S'allume pendant 1 seconde. Ne s'allume pas pendant 0.5 seconde. (Eteint pendant 0.5 seconde) 	Batterie en surchauffe. Chargement impossible (le chargement commencera une fois que la batterie sera froide).
	Recharge impossible	Clignote	S'allume pendant 0.1 seconde. Ne s'allume pas pendant 0.1 seconde. (Eteint pendant 0.1 seconde) 	Anomalie de la batterie ou du chargeur

- (2) Température admissible d'une batterie rechargeable. La température admissible des batteries rechargeables est indiquée dans le Tableau 3, et les batteries qui ont chauffé devront être laissées à refroidir pendant quelque temps avant de pouvoir être rechargées.

Tableau 3 Plage de recharge des batteries

Batterie rechargeable	Température à laquelle la batterie peut être rechargée
BSL1830C, BSL1815	32°F-122°F (0°C-50°C)

- (3) Durée de recharge (A 68°F (20°C))

Tableau 4 Temps de recharge

Batterie	Chargeur	UC18YKSL
BSL1830C		Env. 90 min.
BSL1815		Env. 40 min.

REMARQUE

La durée de recharge peut varier en fonction de la température et de la tension de la source d'alimentation.

En ce qui concerne le courant de décharge d'une batterie neuve

Etant donné que les substances chimiques internes sont restées inactives dans le cas des batteries neuves ou des batteries qui sont restées longtemps inutilisées, le courant de décharge risque d'être très faible lors des première et deuxième utilisations. Ce phénomène est temporaire et le temps de recharge normal sera rétabli quand les batteries auront été rechargées 2 ou 3 fois.

Comment prolonger la durée de vie des batteries

- Recharger les batteries avant qu'elles ne soient complètement épuisées. Quand la puissance de l'outil utilisé faiblit, l'éteindre et recharger la batterie. Si l'outil continue d'être utilisé jusqu'à épuisement du courant électrique, la batterie risque d'être endommagée et sa durée de vie se raccourcira.
- Eviter d'effectuer la recharge sous des températures élevées. Une batterie est toujours chaude immédiatement après son utilisation. Si la batterie est rechargée immédiatement après utilisation, les substances chimiques internes risquent de se détériorer et la durée de vie de la batterie se raccourcira. Laisser la batterie refroidir un moment avant de l'utiliser.

⚠ PRECAUTION

- Si le chargeur a fonctionné pendant longtemps de suite, il sera chaud, ce qui risque de provoquer des pannes. Lorsque la recharge est terminée, laisser le chargeur refroidir pendant environ 15 minutes avant de passer à la recharge suivante.
- Si la batterie est chargée alors qu'elle est chaude parce qu'elle a été laissée longtemps dans un endroit en plein soleil ou parce qu'elle vient d'être utilisée, la lampe témoin du chargeur UC18YKSL s'allume pendant 1 seconde, ne s'allume pas pendant 0,5 seconde (éteint pendant 0,5 seconde). La batterie ne sera pas rechargée. Le cas échéant, laissez la batterie refroidir avant la charge.
- Lorsque la lampe témoin clignote (à intervalles de 0,2 seconde), vérifier et retirer les corps étrangers dans le connecteur de batterie du chargeur. S'il n'y a pas de corps étrangers, il s'agit probablement d'une anomalie de la batterie ou du chargeur. Les porter au service après-vente agréé.

AVANT L'UTILISATION

Vérifier l'aire de travail pour s'assurer qu'il n'y a ni débris ni désordre.
Evacuer toutes les personnes non nécessaires au travail.
S'assurer que l'éclairage et la ventilation sont satisfaisants.

UTILISATION

1. Mise en place de la mèche
Pour installer la mèche, toujours se reporter aux démarches suivantes. (Fig. 7)

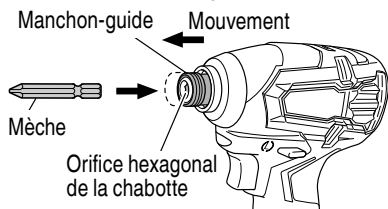


Fig. 7

- (1) Pousser le manchon-guide vers l'avant.
- (2) Insérer la mèche dans l'orifice hexagonal de la chabotte.
- (3) Relâcher le manchon-guide et le replacer à sa position originale.

⚠ PRECAUTION

Si le manchon-guide n'est pas replacé à sa position originale, la mèche n'est pas installée correctement.

2. Retrait de la mèche
Procéder dans le sens inverse de l'installation de la mèche.
3. Vérifiez si la batterie a été correctement installée.
4. Vérifiez le sens de rotation
La mèche tourne dans le sens horaire (vu de l'arrière) quand on appuie sur le côté R du bouton-poussoir. En appuyant sur le côté L du bouton-poussoir, la mèche tourne dans le sens anti-horaire. (Voir Fig. 8). (Les repères «L» et «R» sont marqués sur le corps).

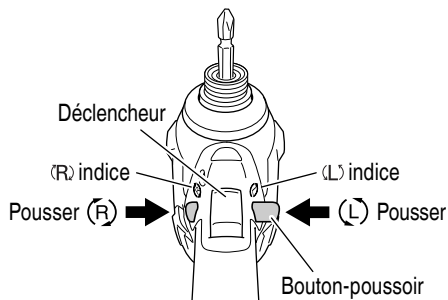


Fig. 8

⚠ PRECAUTION

Il n'est pas possible de commuter le bouton-poussoir pendant que l'outil électrique fonctionne. Pour commuter le bouton-poussoir, arrêter l'outil électrique, puis régler le bouton-poussoir.

5. Fonctionnement de l'interrupteur
 - Quand on tire sur la gâchette de l'interrupteur, l'outil tourne. Quand on relâche la gâchette, l'outil s'arrête.
 - La vitesse de rotation peut être contrôlée en faisant varier la force avec laquelle on appuie sur la gâchette. Quand on appuie légèrement sur la gâchette, la vitesse est lente, et elle augmente quand on appuie plus fort.
 - Lorsque le déclencheur est libéré, le frein arrête immédiatement l'outil.

REMARQUE

Un bruit de vibration se produit quand le moteur est sur le point de tourner ; il ne s'agit que d'un bruit, et non d'une anomalie.

6. Utilisation du crochet
Le crochet sert à suspendre l'outil électrique à votre ceinture pendant le travail.

⚠ PRECAUTION

- Lorsque vous employez le crochet, accrochez fermement l'outil pour en éviter toute chute accidentelle.
En cas de chute de l'outil électrique, un accident pourrait survenir.
- Lorsque vous choisissez de porter l'outil accroché à votre ceinture, assurez-vous de détacher la mèche et la poignée latérale.
Le non-respect de cette consigne peut entraîner des blessures inattendues.
- Installez fermement le crochet. Une mauvaise installation pourrait provoquer des blessures pendant l'utilisation.

- (1) Dépose du crochet.
Enlevez les vis qui maintiennent le crochet, à l'aide d'un tournevis Philips. (Fig. 9)

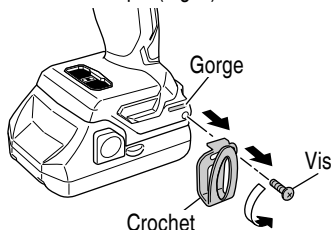


Fig. 9

- (2) Remplacer le crochet et serrer les vis.
Installez le crochet à fond dans la gorge de l'outil électrique et serrez les vis pour le maintenir fermement. (Fig. 10)

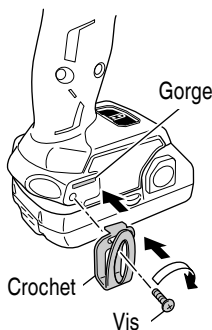


Fig. 10

7. A propos de l'indicateur de puissance résiduelle de la batterie

Vous pouvez vérifier la charge restante de la batterie en tirant sur le commutateur pour allumer le témoin de l'indicateur de charge restante de la batterie. (Fig. 11) Le témoin lumineux s'éteint 10 secondes après avoir relâché le commutateur.

Le tableau 5 présente les conditions d'illumination du témoin et l'état de puissance de la batterie.

Tableau 5

Etat de la lampe	Puissance résiduelle de la batterie
	La puissance résiduelle de la batterie est suffisante.
	La puissance résiduelle de la batterie est à la moitié.
	La puissance résiduelle de la batterie est presque nulle. Rechargez la batterie le plus vite possible.

Le témoin lumineux de puissance batterie résiduelle peut s'allumer différemment selon la température ambiante et les caractéristiques de la batterie. Utilisez donc ce tableau comme référence.

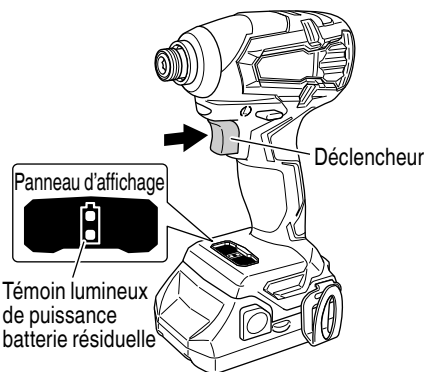


Fig. 11

REMARQUE

Ne pas faire subir de choc violent au panneau d'affichage ou l'endommager. Cela peut provoquer des défaillances.

8. Comment utiliser la DEL d'éclairage
Lorsque le commutateur est activé, la DEL illumine automatiquement la pointe de l'outil. (Fig. 12)
La DEL lumineuse s'éteint automatiquement 10 secondes après avoir relâché le commutateur.

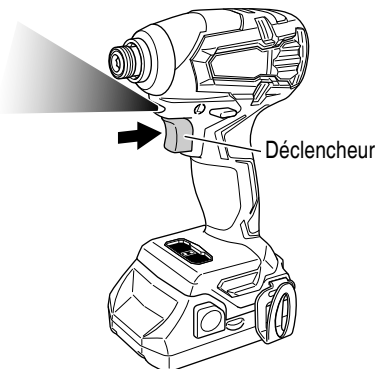


Fig. 12

⚠ PRECAUTION

- **N'exposez pas vos yeux directement à la lampe en la regardant.**
Une exposition continue de vos yeux à la lampe pourrait les blesser.
- **Essuyer toute poussière ou saleté située sur la lentille du témoin DEL avec un chiffon doux, en faisant attention de ne pas rayer la lentille.**
Des rayures sur la lentille du témoin DEL peuvent entraîner une baisse de la luminosité.

9. Serrage et desserrage des vis
Installer une mèche correspondant à la vis, faire coïncider la mèche avec les rainures sur la tête de la vis, puis commencer à serrer.
Appuyer sur la visseuse juste assez pour que la mèche tienne dans les rainures.

⚠ PRECAUTION

- **Si l'on serre trop longtemps une vis, celle-ci peut se briser.**
- **Si l'on serre une vis à un angle inadéquat, la tête de vis peut être endommagée et de plus, il est impossible de transmettre à la vis la force requise.**
Dès lors, toujours aligner la visseuse perpendiculairement aux vis.

10. Serrage et desserrage des boulon
Commencer par sélectionner une douille hexagonale qui convient pour le boulon ou l'écrou. Puis, monter la douille sur le pignon, et saisir l'écrou à serrer avec la douille hexagonale. Tout en calant l'outil sur le boulon, enfoncer l'interrupteur d'alimentation pour frapper l'écrou pendant plusieurs secondes.
Si l'écrou n'est pas serré à fond sur le boulon, le boulon risque de tourner en même temps que l'écrou, empêchant d'obtenir le couple de serrage voulu. Dans ce cas, cesser de percuter l'écrou et tenir la tête du boulon avec une clé avant de recommencer la percussion, ou serrer manuellement le boulon et l'écrou pour les empêcher de glisser.

11. Messages d'alerte par témoin DEL (Fig. 13)
Cet appareil dispose de fonctions qui sont conçues pour protéger l'outil lui-même, ainsi que la batterie. Lorsque le commutateur est tiré, si l'une des fonctions de protection s'active pendant le fonctionnement, le témoin DEL clignote comme décrit dans le Tableau 6. Lorsque l'une des fonctions de protection est enclenchée, enlever immédiatement votre doigt du commutateur et suivre les instructions décrites sous l'action corrective.

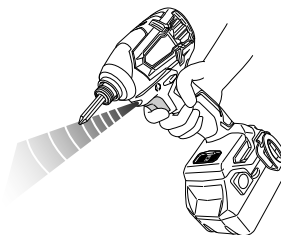


Fig. 13

Tableau 6

Fonction de protection	Affichage du témoin DEL	Action corrective
Protection surcharge	Marche 0.1 seconde/Arrêt 0.1 seconde ■ ■ ■ ■ ■ ■ ■ ■ ■ ■ ■ ■ ■ ■ ■ ■	Éliminer la cause de la surcharge.
Protection température	Marche 0.5 seconde/Arrêt 0.5 seconde ■ ■ ■ ■ ■ ■ ■ ■ ■ ■ ■ ■ ■ ■ ■ ■	Laisser l'outil et la batterie refroidir complètement.

PRECAUTIONS D'UTILISATION

1. Repos de l'appareil après un travail continu
Après un travail de serrage de boulons effectué de façon continue, laisser l'outil reposer pendant environ 15 minutes lors du remplacement de la batterie. La température du moteur, de la gâchette, etc. augmentera si le travail est repris tout de suite après le remplacement de la batterie, ce qui risque de provoquer un grillage.

⚠ PRECAUTION

Ne pas toucher les pièces métalliques, car elles deviennent très chaudes lors d'un travail continu.

2. Précautions d'utilisation du sélecteur de réglage de vitesse
Ce sélecteur comprend un circuit électronique intégré qui fait varier à l'infini la vitesse de rotation. Par conséquent, si la gâchette de sélection n'est tirée que légèrement (faible vitesse de rotation) et le moteur est arrêté tout en vissant des vis en continu, les composants du circuit électronique risquent de chauffer et d'être endommagés.
3. Utiliser le couple de serrage adapté à chaque type de vis
Le couple de serrage approprié varie en fonction du matériau et de la taille de la vis, ainsi que le matériau dans lequel elle est vissée. Par conséquent, utiliser un temps de serrage approprié. Plus particulièrement, si l'on utilise un long temps de serrage dans le cas de vis de taille inférieure à 5/16" (8mm), celles-ci peuvent se briser parce que trop longtemps serrées. Dès lors, vérifier, avant toute chose, le couple et le temps de serrage.
4. Travailler à un couple de serrage convenable pour le boulon percuté
Le couple de serrage optimal pour écrous et boulons diffère en fonction de la matière et de la taille des écrous et des boulons. Un couple de serrage trop important pour un petit boulon risque de déformer ou de fendre le boulon. Le couple augmente proportionnellement au temps de fonctionnement. Utiliser le réglage d'échelle et le temps de fonctionnement appropriés pour le boulon.
5. Maintien de l'outil
Maintenir fermement l'outil des deux mains. Dans ce cas, caler l'outil sur la vis ou le boulon. Il n'est pas nécessaire de pousser l'outil très fort. Maintenir l'outil en exerçant une force suffisante pour neutraliser la force de frappe.

6. Vérifier le couple de serrage
Les facteurs suivants contribuent à une réduction du couple de serrage. Ainsi, vérifier le couple de serrage réel désiré en serrage quelques boulons avec une clé dynamométrique à main avant d'effectuer le travail. Facteurs influençant le couple de serrage.
 - (1) Tension
Si la marge de décharge est atteinte, la tension décroît et le couple de serrage diminue.
 - (2) Temps de fonctionnement
Le couple de serrage augmente quand le temps de fonctionnement augmente. Toutefois, le couple de serrage n'augmente pas au-dessus d'une certaine valeur, ceci même si l'appareil fonctionne pendant longtemps.
 - (3) Diamètre de boulon
Le couple de serrage diffère selon le diamètre du boulon. En règle générale, un boulon de diamètre plus large nécessite un couple de serrage plus important.
 - (4) Conditions de serrage
Le couple de serrage diffère selon le rapport de couple, la classification et la longueur des boulons et ceci même si des boulons ayant des filetages de dimensions identiques sont utilisés. Le couple diffère aussi en fonction de l'état du métal à la surface à travers lequel les boulons doivent être serrés. Quand le boulon et l'écrou tournent ensemble, le couple est réduit de façon importante.
 - (5) Le couple de serrage varie selon l'état de charge de la batterie.

ENTRETIEN ET INSPECTION

⚠ PRECAUTION

Sortir la batterie avant toute opération d'inspection ou d'entretien.

- Vérifier l'état de la mèche.
Les mèches doivent être vérifiées régulièrement. Si elles sont usées ou cassées, elles risquent de glisser ou de réduire le rendement du moteur et de le brûler. Remplacer les mèches usées par des neuves.

⚠ PRECAUTION

Si l'on utilise une mèche dont la pointe est usée ou cassée, elle sera dangereuse car elle risque de glisser. La remplacer par une neuve.

- Vérifier les vis
Des vis mal serrées sont dangereuses. Les inspecter régulièrement et vérifier qu'elles sont serrées à fond.

⚠ PRECAUTION

L'utilisation de l'outil électrique avec des vis desserrées serait extrêmement dangereuse.

- Entretien du moteur
Le bobinage de l'ensemble moteur est le "cœur" même de l'outil électro-portatif. Veiller soigneusement à ce que ce bobinage ne soit pas endommagé et/ou mouillé par de l'huile ou de l'eau.
- Vérifier s'il y a de la poussière
Enlever la poussière avec un chiffon doux ou un chiffon humecté d'eau savonneuse. Ne pas utiliser de décolorant, chlorure, essence ou diluant, car ces produits pourraient endommager le plastique.
- Mise au rebut d'une batterie usée

⚠ AVERTISSEMENT

Ne pas jeter la batterie usée aux ordures ménagères. La batterie risque d'exploser si elle est incinérée. L'appareil que vous avez acheté renferme une batterie rechargeable. La batterie est recyclable. Lorsqu'elle a atteint sa limite de service, selon les lois des états et les lois locales, il peut être illégal de jeter cette batterie aux ordures ménagères. Vérifier auprès de son service de ramassage d'ordures les options de recyclage et la procédure correcte de mise au rebut.

- Rangement
Ranger dans un lieu dont la température est inférieure à 104°F (40°C), et hors de portée des enfants.

REMARQUE

Stockage des batteries au lithium-ion
Assurez-vous que les batteries au lithium-ion ont été entièrement chargées avant de les stocker. Le stockage prolongé (3 mois ou plus) de batteries faiblement chargées peut entraîner une détérioration des performances, réduisant considérablement la durée d'autonomie des batteries alors incapables de tenir une charge.

Il est cependant possible de recouvrer la capacité d'autonomie d'une batterie considérablement endommagée en alternant deux à cinq fois charge et utilisation.

Si la durée d'autonomie de la batterie reste extrêmement courte malgré les charges et utilisations consécutives, considérez la batterie en fin de vie et procurez-vous en une neuve.

- Entretien et réparation

Tous les outils motorisés de qualité auront éventuellement besoin d'une réparation ou du remplacement d'une pièce à cause de l'usure normale de l'outil. Pour assurer que seules des pièces de rechange autorisées seront utilisées, tous les entretiens et les réparations doivent être effectués uniquement par UN CENTRE DE SERVICE HITACHI AUTORISÉ.

- Liste des pièces de rechange

⚠ PRECAUTION

Les réparations, modifications et inspections des outils électriques Hitachi doivent être confiées à un service après-vente Hitachi agréé. Il sera utile de présenter cette liste de pièces au service après-vente Hitachi agréé lorsqu'on apporte un outil nécessitant des réparations ou tout autre entretien.

Lors de l'utilisation et de l'entretien d'un outil électrique, respecter les règlements et les normes de sécurité en vigueur dans le pays en question.

MODIFICATIONS:

Les outils électriques Hitachi sont constamment améliorés et modifiés afin d'incorporer les tous derniers progrès technologiques.

En conséquence, il est possible que certaines pièces soient modifiées sans avis préalable.

Avis important sur les batteries pour outils électriques sans fil Hitachi

Toujours utiliser une de nos batteries originales spécifiées. Nous ne saurions garantir la sécurité et la performance de notre outil électrique sans fil s'il est utilisé avec une batterie autre que celle que nous avons spécifié, ou encore si la batterie est démontée et modifiée (par exemple, le démontage et remplacement des cellules ou autres composants internes).

GUIDE DE DÉPANNAGE

AVERTISSEMENT

- Afin d'éviter un démarrage intempestif, placer l'interrupteur à la position d'arrêt (OFF) et débrancher la fiche de la source d'alimentation avant d'effectuer un quelconque ajustement.
- Toute réparation électrique ou mécanique doit être effectuée par un technicien qualifié. Contacter un centre de service autorisé de Hitachi.

Problème	Origine possible	Solution possible
L'outil ne fonctionne pas	Aucune énergie dans la batterie	Charger la batterie.
	La gâchette était enfoncée pendant l'insertion de la batterie.	La fonction de sécurité a été activée. Si la gâchette est relâchée une fois, puis enclenchée, l'outil démarrera.
L'outil s'est arrêté soudainement	L'outil était en surcharge	Éliminer le problème provoquant la surcharge.
	La batterie a surchauffé.	Laisser la batterie refroidir.
	La gâchette était enfoncée pendant 5 minutes ou plus.	Il ne s'agit pas d'un dysfonctionnement. Le moteur électrique a été automatiquement arrêté pour empêcher une défaillance de l'outil.
Mèches - ne peuvent pas être fixées - tombent	La forme de la partie de fixation ne correspond pas	Utiliser un foret avec une tige hexagonale dont les cotes sur plat sont de 6,35 mm.
		Si un foret de type L est utilisé, le remplacer par un foret de type S.
Le commutateur ne peut pas être tiré	Le bouton de sélection avant/arrière est positionné à mi-hauteur	Appuyer sur le bouton fermement jusqu'à la position correspondant au sens de rotation souhaité.
Un bruit aigu inhabituel est émis lors du déclenchement de la gâchette.	La gâchette n'est enclenchée que légèrement.	Il ne s'agit pas d'un dysfonctionnement. Cela ne se produira pas si la gâchette est enclenchée complètement.
La tête de vis glisse ou se décroche.	Le numéro de mèche ne correspond pas à la taille de la vis	Installer une mèche adaptée.
	La mèche est usée	La remplacer par une nouvelle.

ACCESSOIRES

⚠ AVERTISSEMENT

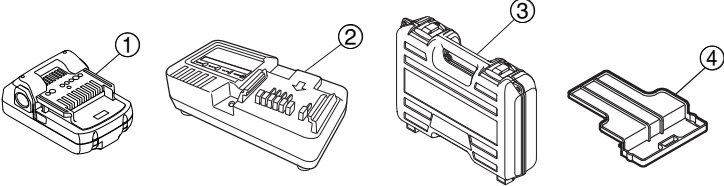
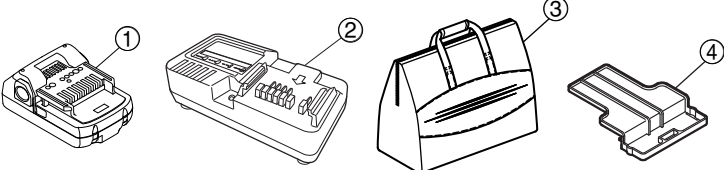
TOUJOURS utiliser **UNIQUEMENT** des pièces de rechange et des accessoires HITACHI. Ne jamais utiliser de pièce de rechange ou d'accessoires qui ne sont pas prévus pour être utilisés avec cet outil. En cas de doute, contacter HITACHI pour savoir si une pièce de rechange ou un accessoire particulier peuvent être utilisés en toute sécurité avec votre outil.

L'utilisation de tout autre attachement ou accessoire peut être dangereux et peut causer des blessures ou des dommages mécaniques.

REMARQUE

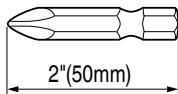
Les accessoires sont sujets à changement sans obligation de la part de HITACHI.

ACCESSOIRES STANDARD

<p>WH18DBFL2 (2LEGK)</p>	 <p>① Batterie (BSL1815) 2 ② Chargeur de batterie (UC18YKSL) 1 ③ Coffret en plastique (N° de code 336642) 1 ④ Couvercle de batterie (N° de code 329897) 1</p>
<p>WH18DBFL2 (LMGX)</p>	 <p>① Batterie (BSL1830C) 1 ② Chargeur de batterie (UC18YKSL) 1 ③ Sac (N° de code 331417) 1 ④ Couvercle de batterie (N° de code 329897) 1</p>

ACCESSOIRES EN OPTION.....vendus séparément

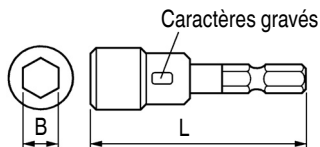
1. Batterie (BSL1815 / BSL1830C)
2. Mèche Phillips



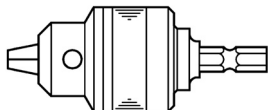
N° de mèche	N° de code
N° 2	992671
N° 3	992672

3. Douille hexagonale

Désignation	Caractères gravés	L	B	N° de code
5 mm Douille hexagonale	8	65	8	996177
6 mm Douille hexagonale	10	65	10	985329
5/16" Douille hexagonale	12	65	12	996178
8 mm Douille hexagonale	13	65	13	996179
10 mm Douille hexagonale (Petits format)	14	65	14	996180
10 mm Douille hexagonale	16	65	16	996181
10 mm Douille hexagonale	17	65	17	996182
1/2" Douille hexagonale longue	21	21	996197	



4. Jeu d'adaptateur de mandrin de foreuse: N° de Code 321823
Utiliser la foreuse en vente.



REMARQUE

Les spécifications sont sujettes à modification sans aucune obligation de la part de HITACHI.

INFORMACIÓN IMPORTANTE SOBRE SEGURIDAD

Antes de utilizar o de realizar cualquier trabajo de mantenimiento de esta herramienta eléctrica, lea y comprenda todas las precauciones de seguridad, advertencias e instrucciones de funcionamiento de este Manual de instrucciones.

La mayoría de los accidentes producidos en la operación y el mantenimiento de una herramienta eléctrica se deben a la falta de observación de las normas o precauciones de seguridad. Los accidentes normalmente podrán evitarse reconociendo una situación potencialmente peligrosa a tiempo y siguiendo los procedimientos de seguridad apropiados.

Las precauciones básicas de seguridad se describen en la sección "SEGURIDAD" de este Manual de instrucciones y en las secciones que contienen las instrucciones de operación y mantenimiento.

Para evitar lesiones o el daño de la herramienta eléctrica, los riesgos están identificados con ADVERTENCIAS en dicha herramienta y en este Manual de instrucciones.

No utilice **NUNCA** esta herramienta eléctrica de ninguna forma que no esté específicamente recomendada por HITACHI.

SIGNIFICADO DE LAS PALABRAS DE SEÑALIZACIÓN

ADVERTENCIA indica situaciones potencialmente peligrosas que, si se ignoran, pueden resultar en la muerte o en lesiones de gravedad.

PRECAUCIÓN indica situaciones potencialmente peligrosas que, de no evitarse, pueden resultar en lesiones menores o moderadas, o causar daños en la herramienta eléctrica.

NOTA acentúa información esencial.

SEGURIDAD

ADVERTENCIAS DE SEGURIDAD GENERAL DE LA HERRAMIENTA ELÉCTRICA

⚠ ADVERTENCIA

Lea todas las instrucciones y todas las advertencias de seguridad.

Si no se siguen las advertencias e instrucciones, podría producirse una descarga eléctrica, un incendio y/o daños graves.

Guarde todas las advertencias e instrucciones para futura referencia.

El término "herramienta eléctrica" en las advertencias hace referencia a la herramienta eléctrica que funciona con la red de suministro (con cable) o a la herramienta eléctrica que funciona con pilas (sin cable).

1) Seguridad en el área de trabajo

a) **Mantenga la zona de trabajo limpia y bien iluminada.**

Las zonas desordenadas o oscuras pueden provocar accidentes.

b) **No utilice las herramientas eléctricas en entornos explosivos como, por ejemplo, en presencia de líquidos inflamables, gases o polvo.**

Las herramientas eléctricas crean chispas que pueden hacer que el polvo desprenda humo.

c) **Mantenga a los niños y transeúntes alejados cuando utilice una herramienta eléctrica.**

Las distracciones pueden hacer que pierda el control.

2) Seguridad eléctrica

a) **Los enchufes de las herramientas eléctricas tienen que ser adecuados a la toma de corriente.**

No modifique el enchufe.

No utilice enchufes adaptadores con herramientas eléctricas conectadas a tierra.

Si no se modifican los enchufes y se utilizan tomas de corriente adecuadas se reducirá el riesgo de descarga eléctrica.

b) **Evite el contacto corporal con superficies conectadas a tierra como tuberías, radiadores y frigoríficos.**

Hay mayor riesgo de descarga eléctrica si su cuerpo está en contacto con el suelo.

c) **No exponga las herramientas eléctricas a la lluvia o a la humedad.**

La entrada de agua en una herramienta eléctrica aumentará el riesgo de descarga eléctrica.

d) **No utilice el cable incorrectamente. No utilice el cable para transportar, tirar de la herramienta eléctrica o desenchufarla.**

Mantenga el cable alejado del calor, del aceite, de bordes afilados o piezas móviles.

Los cables dañados o enredados aumentan el riesgo de descarga eléctrica.

- e) **Cuando utilice una herramienta eléctrica al aire libre, utilice un cable prolongador adecuado para utilizarse al aire libre.**

La utilización de un cable adecuado para usarse al aire libre reduce el riesgo de descarga eléctrica.

- f) **Si no se puede evitar el uso de una herramienta eléctrica en un lugar húmedo, utilice un suministro protegido mediante un dispositivo de corriente residual (RCD).**

El uso de un RCD reduce el riesgo de descarga eléctrica.

3) Seguridad personal

- a) **Esté atento, preste atención a lo que hace y utilice el sentido común cuando utilice una herramienta eléctrica.**

No utilice una herramienta eléctrica cuando esté cansado o esté bajo la influencia de drogas, alcohol o medicación.

La distracción momentánea cuando utiliza herramientas eléctricas puede dar lugar a importantes daños personales.

- b) **Utilice un equipo de protección. Utilice siempre una protección ocular.**

El equipo de protección como máscara para el polvo, zapatos de seguridad antideslizantes, casco o protección para oídos utilizado para condiciones adecuadas reducirá los daños personales.

- c) **Evite un inicio involuntario. Asegúrese de que el interruptor está en "off" antes de conectar la herramienta a una fuente de alimentación y/o batería, cogerla o transportarla.**

El transporte de herramientas eléctricas con el dedo en el interruptor o el encendido de herramientas eléctricas con el interruptor encendido puede provocar accidentes.

- d) **Retire las llaves de ajuste antes de encender la herramienta eléctrica.**

Si se deja una llave en una pieza giratoria de la herramienta eléctrica podrían producirse daños personales.

- e) **No se extralimite. Mantenga un equilibrio adecuado en todo momento.**

Esto permite un mayor control de la herramienta eléctrica en situaciones inesperadas.

- f) **Vístase adecuadamente. No lleve prendas sueltas o joyas. Mantenga el pelo, la ropa y los guantes alejados de las piezas móviles.**

La ropa suelta, las joyas y el pelo largo pueden pillarse en las piezas móviles.

- g) **Si se proporcionan dispositivos para la conexión de extracción de polvo e instalaciones de recogida, asegúrese de que están conectados y se utilizan adecuadamente.**

La utilización de un sistema de recogida de polvo puede reducir los riesgos relacionados con el polvo.

4) Utilización y mantenimiento de las herramientas eléctricas

- a) **No fuerce la herramienta eléctrica. Utilice la herramienta eléctrica correcta para su aplicación.**

La herramienta eléctrica correcta trabajará mejor y de forma más segura si se utiliza a la velocidad para la que fue diseñada.

- b) **No utilice la herramienta eléctrica si el interruptor no la enciende y apaga.**

Las herramientas eléctricas que no pueden controlarse con el interruptor son peligrosas y deben repararse.

- c) **Antes de hacer ajustes, cambiar accesorios o almacenar las herramientas eléctricas, desconecte el enchufe de la fuente eléctrica y/o las baterías de la herramienta.**

Estas medidas de seguridad preventivas reducen el riesgo de que la herramienta eléctrica se ponga en marcha accidentalmente.

- d) **Guarde las herramientas eléctricas que no se utilicen para que no las cojan los niños y no permita que utilicen las herramientas eléctricas personas no familiarizadas con las mismas o con estas instrucciones.**

Las herramientas eléctricas son peligrosas si son utilizadas por usuarios sin formación.

- e) **Mantenimiento de las herramientas eléctricas. Compruebe si las piezas móviles están mal alineadas o unidas, si hay alguna pieza rota u otra condición que pudiera afectar al funcionamiento de las herramientas eléctricas.**

Si la herramienta eléctrica está dañada, llévela a reparar antes de utilizarla.

Se producen muchos accidentes por no realizar un mantenimiento correcto de las herramientas eléctricas.

- f) **Mantenga las herramientas de corte afiladas y limpias.**

Las herramientas de corte correctamente mantenidas con los bordes de corte afilados son más fáciles de controlar.

- g) **Utilice la herramienta eléctrica, los accesorios y las brocas de la herramienta, etc. de acuerdo con estas instrucciones, teniendo en cuenta las condiciones laborales y el trabajo que se va a realizar.**

La utilización de la herramienta eléctrica para operaciones diferentes a pretendidas podría dar lugar a una situación peligrosa.

5) Utilización y cuidado de las herramientas a pilas
a) Recargue sólo con el cargador especificado por el fabricante.

Un cargador que es apto para un tipo de paquete de pilas podría crear un riesgo de incendio cuando se utiliza con otro paquete de pilas.

b) Utilice herramientas eléctricas sólo con paquetes de pilas específicamente diseñados.

La utilización de otros paquetes de pilas podría crear riesgo de daños e incendio.

c) Cuando no se utilice el paquete de pilas, manténgalo alejado de otros objetos metálicos como clips, monedas, llaves, clavos, tornillos u otros objetos metálicos pequeños que puedan hacer una conexión de un terminal a otro.

Si se acortan los terminales de las pilas podrían producirse quemaduras o incendios.

d) Bajos condiciones abusivas, podría expulsarse líquido de la pila; evite todo contacto. En caso de que se produzca contacto accidentalmente, enjuague con agua. Si entra líquido en los ojos, busque ayuda médica.

El líquido expulsado de la pila podría causar irritación o quemaduras.

6) Revisión

a) Lleve su herramienta a que la revise un experto cualificado que utilice sólo piezas de repuesto idénticas.

Esto garantizará el mantenimiento de la seguridad de la herramienta eléctrica.

–ADVERTENCIA–

Para disminuir el riesgo de lesiones, el usuario debe leer el manual de instrucciones.

ADVERTENCIA

Algunos polvos creados por el lijado mecánico, el aserrado, el esmerilado, el taladrado y otras actividades de construcción contienen sustancias químicas conocidas por el Estado de California como agentes cancerígenos, defectos congénitos y otros daños reproductores. Algunos ejemplos de estas sustancias químicas son:

- El plomo de las pinturas a base de plomo,
- El sílice cristalino de los ladrillos y cemento y otros productos de mampostería, y
- El arsénico y el cromo de la madera tratada químicamente.

El riesgo resultante de la exposición varía según la frecuencia con que se realiza este tipo de trabajo. Para reducir la exposición a estas sustancias químicas: trabaje en un lugar bien ventilado y realice el trabajo utilizando el equipamiento apropiado, tal como las máscaras para el polvo especialmente diseñados para eliminar las partículas minúsculas.

NORMAS Y SÍMBOLOS ESPECÍFICOS DE SEGURIDAD

1. Sostenga la herramienta eléctrica por las superficies de agarre aisladas cuando realice una operación en la que el sujetador pueda entrar en contacto con el cableado oculto.

Si el sujetador entra en contacto con un cable con corriente, las partes metálicas expuestas de la herramienta eléctrica pueden transmitir esa corriente y producir una descarga eléctrica al operador.

2. EMPLEE siempre protectores auditivos cuando tenga que utilizar la herramienta durante mucho tiempo.



La exposición prolongada a ruido de gran intensidad puede causar la pérdida del sentido del oído.

3. No coloque las manos ni otras partes del cuerpo cerca de la broca ni del portabrocas durante la operación.

Sujete el atornillador de impacto solamente por su empuñadura.

4. Como el atornillador de impacto inalámbrico funciona con una batería, tenga en cuenta que puede comenzar a funcionar en cualquier momento.

5. Cuando trabaje en lugares elevados, despeje el área de otras personas y tenga en cuenta las condiciones que haya debajo de usted.

6. No toque nunca las piezas móviles.

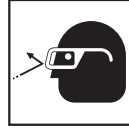
NO coloque **NUNCA** sus manos, dedos, ni demás partes del cuerpo cerca de las piezas móviles de la herramienta.

7. **NO utilice NUNCA la herramienta sin los protectores colocados en su lugar.**
NO utilice **NUNCA** esta herramienta sin los protectores de seguridad correctamente instalados. Si el trabajo de mantenimiento o de reparación requiere el desmontaje de un protector de seguridad, cerciérse de volver a instalarlo antes de utilizar la herramienta.
8. **Utilice la herramienta correcta.**
 No fuerce herramientas ni accesorios pequeños para realizar un trabajo pesado.
 No utilice las herramientas para fines no proyectados, por ejemplo, no utilice esta amoladora angular para cortar madera.
9. **NO utilice NUNCA una herramienta eléctrica para aplicaciones que no sean las especificadas.**
NO utilice **NUNCA** una herramienta eléctrica para aplicaciones no especificadas en este Manual de instrucciones.
10. **Maneje correctamente la herramienta.**
 Maneje la herramienta de acuerdo con las instrucciones ofrecidas aquí. No deje caer ni tire la herramienta. **NO** permita **NUNCA** que los niños ni otras personas no autorizadas ni familiarizadas con la operación de la herramienta utilicen ésta.
11. **Mantenga todos los tornillos, pernos, y cubiertas firmemente fijados en su lugar.**
 Mantenga todos los tornillos, pernos, y cubiertas firmemente montados. Compruebe periódicamente su condición.
12. **No utilice herramientas eléctricas si la carcasa o la empuñadura de plástico está rajada.**
 Las rajaduras en la carcasa o en la empuñadura de plástico pueden conducir a descargas eléctricas. Tales herramientas no deberán utilizarse mientras no se hayan reparado.
13. **Las cuchillas y los accesorios deberán montarse con seguridad en la herramienta.**
 Evite lesiones personales y de otras personas. Las cuchillas, los accesorios de corte, y demás accesorios montados en la herramienta deberán fijarse con seguridad.
14. **NO utilice NUNCA una herramienta defectuosa o que funcione anormalmente.**
 Si la herramienta parece que funciona anormalmente, produciendo ruidos extraños, etc., deje inmediatamente de utilizarla y solicite su arreglo a un centro de reparaciones autorizado por Hitachi.
15. **Maneje con cuidado las herramientas eléctricas.**
 Si una herramienta eléctrica se ha caído o ha chocado inadvertidamente contra materiales duros, es posible que se haya deformado, rajado, o dañado.

16. **No limpie las partes de plástico con disolvente.**
 Los disolventes, como gasolina, diluidor de pintura, bencina, tetracloruro de carbono, y alcohol pueden dañar o rajar las partes de plástico. No las limpie con tales disolventes.

Limpie las partes de plástico con un paño suave ligeramente humedecido en agua jabonosa y después séquelas bien.

17. **SIEMPRE** utilice protección para los ojos que satisfaga los requisitos de la última versión de la norma Z87.1 de ANSI.



18. Definiciones para los símbolos utilizados en esta herramienta
 V voltios
 --- corriente continua
 No velocidad sin carga
 ---/min ... revoluciones o reciprocación por minuto

INSTRUCCIONES IMPORTANTES PARA LA UTILIZACIÓN DEL ATORNILLADOR DE IMPACTO INALÁMBRICO

⚠ ADVERTENCIA

Si utiliza el atornillador de impacto a batería de forma inadecuada o insegura, puede sufrir lesiones serias. Para evitar estos riesgos, siga las instrucciones básicas de seguridad:

1. **NO** utilice nunca este atornillador para aplicaciones que no sean las indicadas en este manual.
2. **NO** coloque nunca las manos ni otras partes del cuerpo cerca de la broca ni del portabrocas durante la operación. Sujete el atornillador a impacto solamente por su empuñadura.
3. Cuando trabaje en lugares elevados, cerciérse **SIEMPRE** de que no haya nadie debajo antes de iniciar el trabajo.
4. Cuando trabaje, utilice **SIEMPRE** protección para sus ojos y oídos.
5. Instale **SIEMPRE** con seguridad la broca del atornillador. Una broca floja podría resultar peligrosa porque podría desprenderse durante el trabajo.
6. Utilice **SIEMPRE** la broca adecuada al tamaño del tornillo.
7. Inserte **SIEMPRE** los tornillos con el atornillador de impacto en línea recta. Si trabajase con el atornillador de impacto inclinado, podría dañar la cabeza de los tornillos y no conseguir el par de apriete prescrito.

INSTRUCCIONES IMPORTANTES DE SEGURIDAD PARA EL CARGADOR DE BATERÍAS

⚠️ ADVERTENCIA

La utilización inadecuada del Atornillador de impacto inalámbrico puede resultar en lesiones serias o en la muerte. Para evitar estos riesgos, siga las instrucciones de seguridad ofrecidas a continuación.

LEA TODAS LAS INSTRUCCIONES

- Este manual contiene instrucciones importantes de seguridad para el cargador de baterías modelo UC18YKSL.
- Antes de utilizar el cargador de baterías, lea todas las instrucciones y tenga en cuenta las marcas de precaución de (1) el cargador de baterías, (2) la batería, y (3) el producto que utiliza la batería.
- Para reducir el riesgo de lesiones, cargue la batería HITACHI de tipo de la serie BSL18. Otros tipos de baterías podrían explotar causando lesiones y daños.
- No exponga el cargador de baterías a la lluvia ni a la nieve.

- La utilización de un accesorio no recomendado o vendido por el fabricante del cargador de baterías puede resultar en el riesgo de incendios, en descargas eléctricas, o en lesiones.
- Para reducir el riesgo de dañar el cable y el enchufe, para desconectar el cable del cargador de baterías, tire del enchufe.
- Cerciórese de que el cable quede situado donde no pueda pisarse, donde nadie pueda tropezar con él, y donde no pueda recibir daños.
- A menos que sea absolutamente necesario, no deberá utilizarse un cable prolongador. La utilización de un cable prolongador inadecuado podría resultar en el riesgo de incendios y descargas eléctricas. Cuando tenga que utilizar un cable prolongador, cerciórese de que:
 - El enchufe del cable prolongador sea igual en tamaño y forma que el del cargador de baterías;
 - El cable prolongador esté adecuadamente conectado y en buenas condiciones eléctricas; y
 - Que el calibre del cable sea suficiente para el amperaje de CA del cargador de baterías, como se especifica en la Tabla 1.

Tabla 1

CALIBRE (AWG) MÍNIMO RECOMENDADO PARA CABLES PROLONGADORES PARA EL CARGADOR DE BATERÍAS

Amperaje nominal de entrada de CA*		Calibre (AWG) del cable			
Igual o superior a	pero inferior a	Longitud del cable, Pies (metros)			
		25 (7.5)	50 (15)	100 (30)	150 (45)
0	2	18	18	18	16
2	3	18	18	16	14
3	4	18	18	16	14

- * Si la entrada nominal del cargador de baterías se indica en vatios en vez de amperios, el amperaje nominal correspondiente se determinará dividiendo el vataje por la tensión, por ejemplo:

$$\frac{1,250 \text{ vatios}}{125 \text{ voltios}} = 10 \text{ amperios}$$

- No utilice el cargador de baterías con un cable o un enchufe dañado. Si están dañados, reemplácelos inmediatamente.
- No utilice el cargador de baterías si ha recibido un golpe, si ha caído, o si está dañado de alguna otra forma. Llévelo a un técnico cualificado.
- No desarme el cargador de baterías. Cuando necesite reparación, llévelo a un técnico cualificado. El reensamblaje incorrecto podría resultar en el riesgo de incendios o descargas eléctricas.
- Para reducir el riesgo de descargas eléctricas, desenchufe el cargador del tomacorriente antes de intentar realizar cualquier operación de mantenimiento o de limpiarlo. La extracción de la batería no reducirá este riesgo.

INSTRUCCIONES IMPORTANTES DE SEGURIDAD PARA LA BATERÍA Y EL CARGADOR DE BATERÍAS

Usted deberá cargar la batería antes de utilizar el atornilladores de percusión inalámbrico. Antes de utilizar el cargador de baterías modelo UC18YKSL, cerciórese de leer todas las instrucciones y precauciones del mismo, de la batería, y de este manual.

⚠ PRECAUCIÓN
¡UTILICE SOLAMENTE BATERÍA HITACHI DEL TIPO DE LA SERIE BSL18. LOS DEMÁS TIPOS DE BATERÍAS PODRÍAN EXPLOTAR Y CAUSAR LESIONES!

Para evitar el riesgo de lesiones, siga las instrucciones ofrecidas a continuación:

⚠ ADVERTENCIA

La utilización inadecuada de la batería o del cargador de baterías puede conducir a lesiones serias. Para evitar estas lesiones:

1. **NUNCA** desarme la batería.
2. **NUNCA** incinere una batería, aunque esté dañada o completamente agotada.
3. **NUNCA** cortocircuite la batería.
4. **NUNCA** inserte ningún objeto en las ranuras de ventilación del cargador. Si lo hiciese podría recibir descargas eléctricas o dañar el cargador de baterías.
5. **NUNCA** cargue en exteriores. Mantenga la batería alejada de la luz solar directa, y utilícela solamente donde haya poca humedad y una buena ventilación.
6. **NUNCA** cargue cuando la temperatura sea inferior a 32°F (0°C) o superior a 104°F (40°C).
7. **NUNCA** conecte dos cargadores de baterías juntos.
8. **NUNCA** inserte objetos extraños en el orificio para la batería ni en el cargador de baterías.
9. **NUNCA** utilice un transformador elevador para cargar.
10. **NUNCA** utilice un motogenerador ni tensión de CC para cargar.
11. **NUNCA** guarde la batería ni el cargador de baterías en lugares en los que la temperatura pueda alcanzar o sobrepasar 104°F (40°C).
12. **SIEMPRE** utilice el cargador con un tomacorriente (120 voltios). La utilización de un cargador con cualquier otra tensión podría hacer que éste se recalentase y dañase.
13. **SIEMPRE** espere 15 minutos por lo menos entre las cargas para evitar que el cargador se recaliente.
14. **SIEMPRE** desconecte el cable de alimentación del tomacorriente cuando no vaya a utilizar el cargador.

ADVERTENCIA DE LA BATERÍA DE LITIO

Para ampliar su duración, la batería de litio está equipada con la función de protección para detener la salida.

En los casos 1 a 3 descritos más abajo, cuando utilice este producto, incluso si tira del interruptor, el motor puede detenerse. No es un problema, sino el resultado de la función de protección.

1. Cuando la batería restante se agota, el motor se detiene.
En este caso, cárguela inmediatamente.
2. Si la herramienta se sobrecarga, el motor puede detenerse. En este caso, suelte el interruptor de la herramienta y elimine las causas de la sobrecarga. A continuación, puede volverla a utilizar.
3. Si la batería se calienta excesivamente al realizar un trabajo de sobrecarga, la potencia de la batería podría pararse.
En este caso, deje de utilizar la batería y deje que se enfríe. Posteriormente puede utilizarla de nuevo.

Asimismo, preste atención a las siguientes advertencias y precauciones.

⚠ ADVERTENCIA

Para evitar fugas de la batería, generación de calor, emisión de humo, explosiones e igniciones, preste atención a las siguientes precauciones.

1. Asegúrese de que no entran virutas o polvo en la batería.
 - Durante el trabajo, asegúrese de que no caen virutas o polvo en la batería.
 - Asegúrese de que las virutas o el polvo que caen sobre la herramienta eléctrica durante el trabajo no entran en la batería.
 - No almacene una batería sin utilizar en un lugar expuesto a virutas y polvo.
 - Antes de almacenar una batería, retire las virutas y el polvo que se haya adherido y no la almacene junto a piezas metálicas (tornillos, clavos, etc.).
2. No agujeree la batería con un objeto afilado como un clavo, no la golpee con un martillo, la pise, la tire o la exponga a fuertes impactos físicos.
3. No utilice una batería que pudiera estar dañada o deformada.
4. No utilice la batería con las polaridades cambiadas.
5. No conecte la batería directamente a salidas eléctricas o a los encendedores de cigarrillos de los coches.
6. No utilice la batería para un fin diferente a los especificados.
7. Si la carga de la batería no finaliza incluso cuando ha transcurrido un determinado tiempo de recarga, detenga inmediatamente la recarga.

8. No coloque o exponga la batería a temperaturas elevadas o alta presión como en un microondas, una secadora o un contenedor de gran presión.
9. Aléjela del fuego inmediatamente cuando se detecte una fuga o un olor raro.
10. No la utilice en un lugar donde se genere gran electricidad estática.
11. Si hay una fuga de la batería, mal olor, se genera color, está descolorida o deformada, o de algún modo funciona de forma anormal durante su utilización, recarga o almacenamiento, retírela inmediatamente del equipo o del cargador de la batería y detenga su utilización.

⚠ PRECAUCIÓN

1. Si el líquido de fuga de la batería entra en contacto con los ojos, no se los frote y lávelos bien con agua limpia como, por ejemplo, agua del grifo y póngase en contacto con un médico inmediatamente. Si no se trata, el líquido podría causar problemas de visión.
2. Si el líquido de fuga entra en contacto con la piel o la ropa, lávela bien con agua limpia como, por ejemplo, agua del grifo inmediatamente. Podría producir irritación de la piel.
3. Si observa óxido, mal olor, recalentamiento, decoloración, deformación y/u otras irregularidades al utilizar la batería por primera vez, no la utilice y devuélvasela a su proveedor o distribuidor.

⚠ ADVERTENCIA

Si un objeto extraño conductor de electricidad entra en los terminales de la batería de litio, podría producirse un cortocircuito, resultando en un riesgo de incendio. Por favor, respete los siguientes consejos cuando almacene la batería.

- No coloque cortes conductivos, clavos, cables de acero, cables de cobre u otros cables en la caja de almacenamiento.
- Instale el paquete de baterías en la herramienta eléctrica o almacénelo presionando la tapa de baterías hasta que se oculten los orificios de ventilación para evitar cortocircuitos. (Ver Fig. 3)

A PROPÓSITO DEL TRANSPORTE DE LA BATERÍA DE IONES DE LITIO

Al transportar una batería de iones de litio, tenga en cuenta las siguientes precauciones.

⚠ ADVERTENCIA

Notifique a la compañía de transporte que un paquete contiene una batería de iones de litio, informe a la compañía eléctrica de su potencia de salida y siga las instrucciones de la compañía de transporte al preparar su transporte.

- Las baterías de iones de litio que superen una potencia de salida de 100 Wh se considera que son materiales peligrosos en la Clasificación de Transporte y requieren procedimientos de aplicación especiales.
- Para el transporte en el extranjero, deberá cumplir con las leyes internacionales y las normas y regulaciones del país de destino.

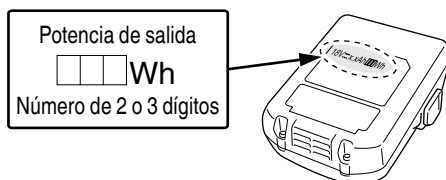


Fig. 1

**¡GUARDE ESTAS INSTRUCCIONES
Y
PÓNGALAS A DISPOSICIÓN DE OTROS USUARIOS
Y
PROPIETARIOS DE ESTA HERRAMIENTA!**

DESCRIPCIÓN FUNCIONAL

NOTA

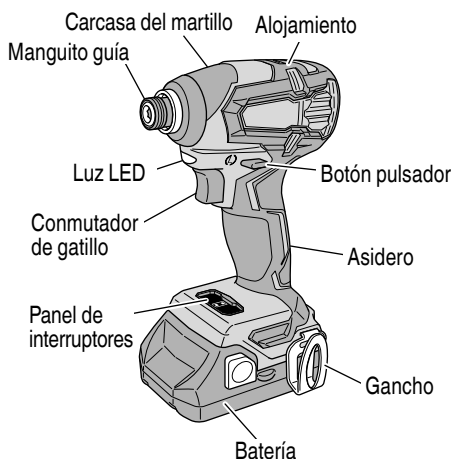
La información contenida en este Manual de instrucciones ha sido diseñada para ayudarle a utilizar con seguridad y mantener esta herramienta eléctrica.

NUNCA haga funcionar ni efectúe el mantenimiento de la herramienta antes de leer y comprender todas las instrucciones de seguridad contenidas en este manual.

Algunas ilustraciones de este Manual de Instrucciones pueden mostrar detalles o accesorios diferentes a los de la propia herramienta eléctrica.

NOMENCLATURA

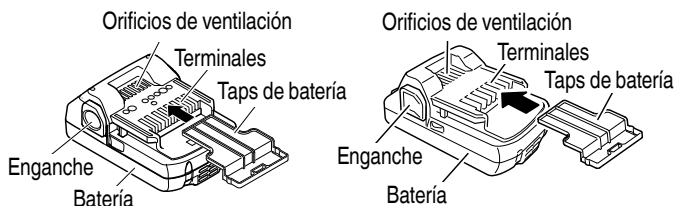
1. Atornillador de impacto inalámbrico (WH18DBFL2)



<WH18DBFL2>

Fig. 2

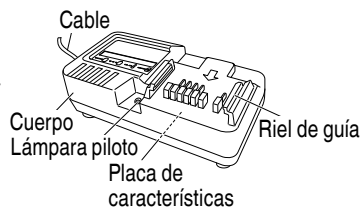
2. Batería



<BSL1815 / BSL1830C>

Fig. 3

3. Cargador de baterías



<UC18YKSL>

Fig. 4

ESPECIFICACIONES

1. Atornillador de impacto inalámbrico

Modelo		WH18DBFL2	
Velocidad sin carga		0 – 3,100 /min	
Capacidad	Tornillo pequeño	5/32" (M4) – 5/16" (M8)	
	Perno ordinario	3/16" (M5) – 5/8" (M16)	
	Pernos de gran resistencia a la tracción	3/16" (M5) – 15/32" (M12)	
Torsión de apriete		<p>Máxima 1,522 in-lbs {172 N·m 1,754 kgf·cm} La torsión es de pernos 5/8" (M16) de gran resistencia a la tracción con la batería completamente cargada a 68°F (20°C) de temperatura. Tiempo de torsión: 3 seg.</p>	
Tamaño de la espiga de broca		1/4" (6.35 mm) Hex.	
Batería	Modelo	BSL1815 (1.5 Ah)	BSL1830C (3.0 Ah)
	Tipo	Batería de Li-ion	
	Tensión	CC 18 V	
Peso		2.9 lbs. (1.3 kg)	

2. Cargador de baterías

Modelo	UC18YKSL
Fuente de alimentación de entrada	Monofásica: 120 V CA, 60 Hz
Tiempo de carga (A una temperatura de 68°F (20°C))	BSL1830C : Aprox. 90 min BSL1815 : Aprox. 40 min
Tensión de carga	CC 14.4 – 18 V
Corriente de carga	CC 2.0 A
Peso	0.8 lbs. (0.35 kg)

NOTA: El tiempo de carga pueda variar de acuerdo con la temperatura y la tensión de la fuente de alimentación.

MONTAJE Y OPERACIÓN

APLICACIONES

- Atornillamiento y desatornillamiento de tornillos para metales, tornillos para madera, tornillos que no necesitan abrir antes su agujero, etc.

MÉTODO DE EXTRACCIÓN E INSTALACIÓN DE LA BATERÍA

1. Desmontaje de la batería
Sujetar firmemente el asidero y presionar el cierre de la batería para desmontarla (Ver la Fig. 5).

⚠ PRECAUCIÓN
No cortocircuitar nunca la batería.

2. Instalación de la batería
Insertar la batería observando sus polaridades (ver la Fig. 5).

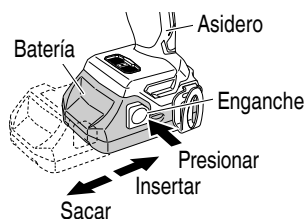


Fig. 5

MÉTODO DE CARGA

NOTA

Antes de enchufar el cargador en un tomacorriente, tenga en cuenta los puntos siguientes.

- La tensión de la fuente de alimentación está indicada en la placa de características.
- El cable no deberá estar dañado.

⚠ ADVERTENCIA

No cargue con una tensión superior a la indicada en la placa de características. Si cargase con una tensión superior a la indicada en la placa de características, el cargador se quemaría.

1. Inserte el conector del cargador de baterías en el receptáculo.

Cuando el conector del cargador de baterías haya sido insertado en el receptáculo, la lámpara piloto parpadeará en rojo (en intervalos de 1 segundo).



⚠ ADVERTENCIA

No utilice el cargador si su cable está dañado. Haga que se lo reparen inmediatamente.

2. Inserte la batería en el cargador de baterías.
Inserte la batería en el cargador de baterías como se muestra en la Fig. 6.

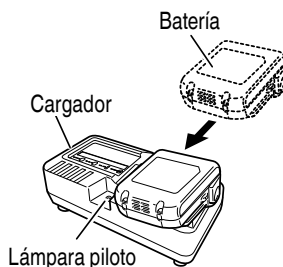


Fig. 6

3. Carga
Cuando la batería se inserte en el cargador de baterías, la carga comenzará y la lámpara piloto se iluminará en rojo. (Consulte la Tabla 2)






NOTA

Si la lámpara piloto no se enciende o parpadea en rojo, saque el conector del receptáculo y compruebe si la batería está correctamente montada.

Cuando la batería se haya cargado completamente, la lámpara parpadeará lentamente en rojo. (A intervalos de 1 segundo) (Consulte la Tabla 2)

- (1) Indicaciones de la lámpara piloto
Las indicaciones de la lámpara piloto mostradas en la Tabla 2, se producirán de acuerdo con la condición del cargador o de la batería.

Tabla 2

Indicaciones de la lámpara indicadora				
Lámpara piloto (rojo)	Antes de la carga	Parpadeo	Se encenderá durante 0.5 segundos. No se encenderá durante 0.5 segundos. (Apagada durante 0.5 segundos) 	
	Durante la carga	Iluminación	Iluminación permanente 	
	Carga completa	Parpadeo	Se encenderá durante 0.5 segundos. No se encenderá durante 0.5 segundos. (Apagada durante 0.5 segundos) 	
	Espera por recalentamiento	Parpadeo	Se encenderá durante 1 segundo. No se encenderá durante 0.5 segundos. (Apagada durante 0.5 segundos) 	Batería recalentada. No puede cargarse (la carga comenzará cuando la batería se enfríe)
	Carga imposible	Destello	Se encenderá durante 0.1 segundos. No se encenderá durante 0.1 segundos. (Apagada durante 0.1 segundos) 	Mal funcionamiento de la batería o del cargador

(2) Temperatura de la batería

La temperatura de la batería recargable se muestra en la Tabla 3 y, si la batería se ha calentado, habrá que dejar que se enfríe durante cierto tiempo antes de recargarla.

Tabla 3 Márgenes de carga de las baterías

Batería recargable recharg	Temperatura a la que podrá recargarse la batería
BSL1830C, BSL1815	32°F - 122°F (0°C - 50°C)

(3) Tiempo de carga (A 68°F (20°C))

Tabla 4 Tiempo de carga

Batería	Cargador	UC18YKSL
BSL1830C		Aprox. 90 min.
BSL1815		Aprox. 40 min.

NOTA

El tiempo de carga pueda variar de acuerdo con la temperatura y la tensión de la fuente de alimentación.

Descarga eléctrica en caso de baterías nuevas, etc.

Como la substancia química interna de las baterías nuevas o las que no se hayan utilizado durante mucho tiempo no está activada, la descarga eléctrica puede ser inferior cuando se utilicen por primera y segunda vez. Este fenómeno es temporal, y el tiempo normal requerido para la recarga se restablecerá recargando las baterías 2 - 3 veces.

Forma de hacer que las baterías duren más

- Recargue las baterías antes de que se hayan agotado completamente.
Si siente que la potencia de la herramienta eléctrica se debilita, deje de utilizarla y recargue su batería. Si continuase utilizando la herramienta hasta agotar la capacidad de la batería, ésta podría dañarse y su duración útil podría acortarse.
- Evite realizar la recarga a altas temperaturas.
Una batería se calentará inmediatamente después de haberla utilizado. Si recargase tal batería inmediatamente después de haberla utilizado, su substancia química interna se deterioraría, y la duración útil de la batería se acortaría. Deje la batería y recárguela después de que se haya enfriado durante cierto tiempo.

⚠ PRECAUCIÓN

- Si utiliza continuamente el cargador de baterías, éste se calentará, lo que puede causar averías. Después de haber finalizado la carga, espere 15 minutos antes de realizar la carga siguiente.
- Si la batería se carga mientras está caliente debido a que se ha dejado durante mucho tiempo en un lugar expuesto a la luz solar directa o porque la batería acaba de utilizarse, la lámpara piloto del cargador UC18YKSL se iluminará durante 1 segundo y no se iluminará durante 0,5 segundos (permanecerá apagado durante 0,5 segundos). La batería no se cargará. En tal caso, deje que la batería se enfríe antes de cargarla.
- Cuando la lámpara piloto testigo de carga parpadee (a intervalos de 0,2 segundos), compruebe si hay objetos extraños en el conector de la batería del cargador. Si no hay objetos extraños, es probable que la batería o que el cargador de baterías esté funcionando mal. Líévelos a un centro de reparaciones autorizado.

ANTES DE LA UTILIZACIÓN

Compruebe el área de trabajo para cerciorarse de que esté libre de escombros y bien ordenada. Despeje el área de personal innecesario. Cerciérese de que la iluminación y la ventilación sean adecuadas.

OPERACIÓN

1. Instalación de la punta del atornillador
Para instalar la punta del atornillador, realice siempre el procedimiento siguiente. (Fig. 7)

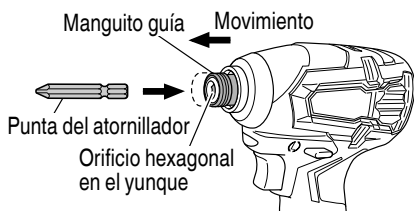


Fig. 7

- (1) Tire del manguito guía hacia delante.
- (2) Inserte la punta del atornillador en el orificio hexagonal en el yunque.
- (3) Suelte el manguito guía y devuélvalo a su posición original.

⚠ PRECAUCIÓN

Si el manguito guía no vuelve a su posición original, significará que la punta del atornillador no está correctamente instalada.

2. Extracción de la broca
Realice la operación contraria a la de instalación de la broca.
3. Confirmar que la batería está puesta correctamente.
4. Examinar la dirección de rotación
El manguito girará hacia la derecha (mirándola desde atrás) al oprimir el lado R (der.) del botón pulsador. El lado L (izq.) del botón pulsador se usa para hacer girar el manguito hacia la izquierda. (Vea la Fig. 8). (Las marcas «L» y «R» están en el cuerpo del taladro.)

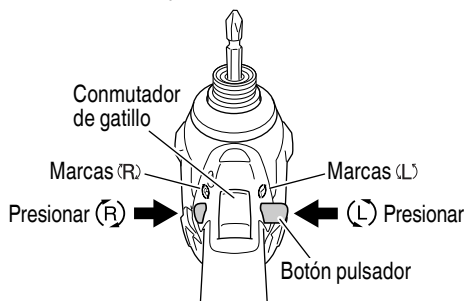


Fig. 8

⚠ PRECAUCIÓN

El botón pulsador no podrá utilizarse mientras la herramienta eléctrica esté girando. Para accionarlo, pare en primer lugar la herramienta eléctrica y, después, ajuste el botón pulsador.

5. Operación de conmutación
 - Cuando tire del gatillo del interruptor, la herramienta girará.
 - Cuando suelte el gatillo, la herramienta se detendrá.
 - La velocidad de rotación podrá controlarse variando la presión con la que tire del interruptor del gatillo. La velocidad será baja cuando se tire ligeramente del gatillo, y aumentará a medida que se tire más de él.
 - Cuando presione el disparado, el freno se aplicará inmediatamente.

NOTA

Se produce un ruido de zumbido antes de que el motor empiece a girar, lo cual no indica problema alguno de la máquina.

6. Uso del gancho
El gancho se usa para colgarse la herramienta con alimentación eléctrica del cinturón mientras se trabaja.

⚠ PRECAUCIÓN

- Cuando se utiliza el gancho, se debe sujetar la herramienta con firmeza para que no se caiga por accidente.

Al caer, puede provocar un accidente.

- Cuando elija transportar la herramienta enganchada a su cinturón, asegúrese de desensamblar el taladro de la herramienta y el asa lateral.

De lo contrario podrían producirse lesiones imprevistas.

- Instale el gancho de forma segura. Si no está correctamente colocado, puede provocar lesiones durante su uso.

- (1) Retirada del gancho.

Extraiga los tornillos que sujetan el gancho con un destornillador Philips. (Fig. 9)

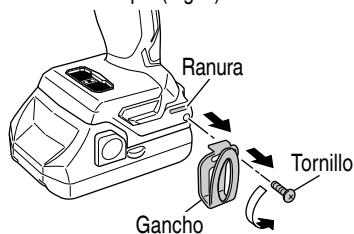


Fig. 9

- (2) Colocación del gancho y ajuste de los tornillos.

Instale el gancho en la ranura de la herramienta de alimentación eléctrica de forma segura y apriete los tornillos de manera que el gancho quede firmemente sujeto. (Fig. 10)

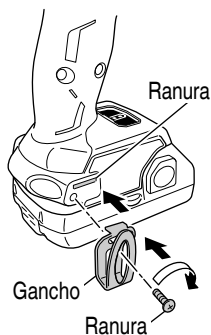


Fig. 10

7. Acerca del indicador de batería restante

Se puede verificar la carga restante de la batería tirando del interruptor para iluminar el indicador de carga restante de la batería. (Fig. 11)

El indicador se apagará 10 segundos después de liberar el interruptor. La Tabla 5 muestra el estado del indicador luminoso de batería restante y la potencia de batería restante.

Tabla 5

Estado del indicador	Potencia de batería restante
	La potencia restante de la batería es suficiente.
	La potencia restante de la batería se encuentra a la mitad.
	La potencia restante de la batería está prácticamente agotada. Recargue la batería cuanto antes.

Dado que el indicador de batería restante muestra resultados ligeramente diferentes según la temperatura ambiental y las características de la batería, utilice su lectura como referencia.

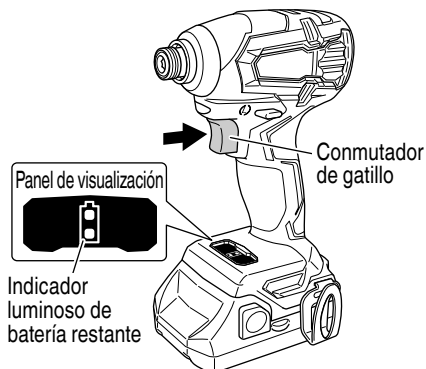


Fig. 11

NOTA

Tenga cuidado de no dar sacudidas fuertes al panel de la pantalla o romperlo. Pueden producirse problemas.

8. Uso de la luz LED

Cuando se tira del interruptor, la luz LED iluminará automáticamente la parte de la punta de la herramienta. (Fig. 12)

La luz LED se apagará automáticamente 10 segundos después de liberar el interruptor.

PRECAUCIONES OPERACIONALES

1. Reposo de la herramienta después de un funcionamiento prolongado
Tras una tarea de apriete de pernos de larga duración, deje la unidad en reposo durante unos 15 minutos al reemplazar la batería. Si reinicia la tarea inmediatamente después de reemplazar la batería, aumentaría la temperatura del motor, del interruptor, etc., con los consiguientes riesgos de quemadura.

⚠ PRECAUCIÓN

No toque las partes metálicas, debido a que pueden alcanzar altas temperaturas durante el trabajo continuo.

2. Precauciones sobre el empleo del interruptor de control de velocidad
Este interruptor posee un circuito electrónico incorporado que varía la velocidad de rotación. Por consiguiente, cuando apriete el gatillo sólo ligeramente (baja velocidad de rotación) y el motor se pare mientras esté insertando continuamente tornillos, los componentes de dicho circuito electrónico pueden recalentar y dañarse.
3. Emplee el tiempo de apriete adecuado al tornillo
El par adecuado a un tornillo difiere de acuerdo con el material y el tamaño del mismo, el material en el que se esté atornillando, etc. Por lo tanto, emplee el tiempo de apriete adecuado al tornillo. En especial, en caso de tornillos menores a 5/16" (8 mm) si utiliza un tiempo de apriete largo, existe el peligro de rotura de los tornillos, motivo por el que se le aconseja confirmar con antelación el tiempo y el par de apriete.
4. Tensión de apriete apropiada para los pernos y tuercas
La tensión de apriete óptima para pernos y tuercas difiere según su material y tamaño.
Una tensión de apriete excesiva para un perno pequeño podría deformarlo o romperlo. La tensión de apriete aumenta proporcionalmente al tiempo de operación. Utilice la indicación de la escala y el tiempo de operación adecuados a cada perno.
5. Sujetar la herramienta
Sujete la herramienta con firmeza con ambas manos. En este caso, sujete la herramienta en línea con el tornillo o el perno.
No es necesario presionar la herramienta con demasiada fuerza. Sujete la herramienta con la fuerza suficiente para contrarrestar la fuerza del impacto.

6. Confirmación de la tensión de apriete
Los factores que se mencionen a continuación contribuyen a reducir la tensión de apriete.
Comprobar por ello la tensión de apriete necesaria atornillando previamente algunos tornillos con una llave de tuercas manual. Factores que afectan a la tensión de apriete.
 - (1) Tensión
Cuando se alcance el margen de descarga, la tensión se reducirá y la torsión de apriete disminuirá.
 - (2) Tiempo de operación
La tensión de apriete aumenta al aumentar el tiempo de operación. La tensión de apriete sin embargo no supera cierto valor a pesar de que la herramienta funcione durante un largo periodo de tiempo.
 - (3) Diámetro del perno
La tensión de apriete difiere según el diámetro del perno. Generalmente, cuanto mayor sea el diámetro del perno, mayor será la tensión de apriete.
 - (4) Condiciones de apriete
El par de apriete difiere según la relación de par, la clase y el largo de los pernos, a pesar de que se utilicen pernos con roscas del mismo tamaño. El par de apriete difiere también según las condiciones de la superficie de la pieza de trabajo sobre la cual se van a apretar los pernos. Cuando el perno y la tuerca giran conjuntamente, el par se reduce considerablemente.
 - (5) La torsión de apriete variará de acuerdo con el nivel de carga de la batería.

MANTENIMIENTO E INSPECCIÓN

⚠ PRECAUCIÓN

Extraiga la batería antes de realizar cualquier trabajo de inspección o de mantenimiento.

1. Comprobación de las condiciones de la broca.
Las brocas deberán comprobarse regularmente. Si una broca está desgastada o rota, puede patinar o reducir la eficacia del motor, o hacer que se queme. Reemplace las brocas gastadas por otras nuevas.

⚠ PRECAUCIÓN

Si utiliza una broca de destornillador con su punta desgastada o rota, puede resultar peligroso, porque patinará. Por lo tanto reemplácela por otra nueva.

2. Comprobación de los tornillos
Los tornillos son peligrosos. Inspecciónelos regularmente y cerciórese de que estén bien apretados.

⚠ PRECAUCIÓN

La utilización de esta herramienta eléctrica con tornillos flojos es extremadamente peligroso.

3. Mantenimiento de motor
La unidad de bobinado del motor es el verdadero "corazón" de las herramientas eléctricas. Prestar el mayor cuidado a asegurarse de que el bobinado no se dañe y/o se humedezca con aceite o agua.
4. Comprobación del polvo
El polvo podrá eliminarse con un paño suave y seco o ligeramente humedecido en agua jabonosa. No utilice lejía, cloro, gasolina, ni diluidor de pintura, porque podrían dañar el plástico.
5. Eliminación de las baterías agotadas

⚠ ADVERTENCIA

No tire las baterías agotadas. Las baterías pueden explotar si se incineran. El producto que ha adquirido contiene una batería. La batería es reciclable. Cuando se agote su duración útil, de acuerdo con las leyes estatales y locales, puede ser ilegal tirar esta batería a la basura. Solicite a las autoridades locales los detalles sobre las opciones de reciclado o de la forma de deshacerse apropiadamente de la batería.

6. Almacenamiento
Guarde la herramienta en un lugar con menos de 104°F (40°C) y fuera del alcance de niños.

NOTA

Almacenar baterías de ion-litio
Compruebe que las baterías de ion-litio se han cargado completamente antes de almacenarlas. Un almacenamiento prolongado de las baterías (3 meses o más) con carga baja podría deteriorar su funcionamiento, reduciendo en gran medida el tiempo de uso de la batería o haciendo que las baterías no puedan mantener una carga. No obstante, la reducción en gran medida del tiempo de uso de la batería puede recuperarse si se carga y utiliza de dos a cinco veces. Si el tiempo de uso de la batería es extremadamente corto a pesar de haber cargado y utilizado la batería varias veces, deberá considerarla agotada y comprar una nueva.

7. Mantenimiento y reparación
Todas las herramientas eléctricas de calidad requieren de vez en cuando el servicio de mantenimiento o el reemplazo de piezas debido al desgaste producido durante la utilización normal. Para asegurarse de que solamente se utilicen piezas de reemplazo autorizadas, todos los servicios de mantenimiento y reparación deberán realizarse **SOLAMENTE EN UN CENTRO DE REPARACIONES AUTORIZADO POR HITACHI.**
8. Lista de repuestos

⚠ PRECAUCIÓN

La reparación, modificación e inspección de las herramientas eléctricas Hitachi deben ser realizadas por un Centro de Servicio Autorizado de Hitachi.

Esta lista de repuestos será de utilidad si es presentada junto con la herramienta al Centro de Servicio Autorizado de Hitachi para solicitar la reparación o cualquier otro tipo de mantenimiento.

En el manejo y el mantenimiento de las herramientas eléctricas, se deberán observar las normas y reglamentos vigentes en cada país.

MODIFICACIONES:

Hitachi Power Tools introduce constantemente mejoras y modificaciones para incorporar los últimos avances tecnológicos.

Por consiguiente, algunas partes pueden ser modificadas sin previo aviso.

Aviso importante sobre las pilas de las herramientas inalámbricas de Hitachi

Utilice siempre una de nuestras pilas genuinas. No podemos garantizar la seguridad y el funcionamiento de nuestra herramienta eléctrica inalámbrica cuando se utiliza con pilas diferentes a las indicadas por nosotros o cuando la pila se desmonta y modifica (como cuando se desmontan y sustituyen celdas u otras piezas internas).

GUIA DE IDENTIFICACION DE PROBLEMAS

ADVERTENCIA

- Para evitar sufrir lesiones debido a un arranque accidental, ponga el interruptor en la posición OFF (apagado) y retire el enchufe de la lijadora de la fuente de alimentación antes de hacer cualquier ajuste.
- Todas las reparaciones eléctricas o mecánicas deberán ser realizadas únicamente por técnicos de servicio calificados. Póngase en contacto con un Centro de Servicio Autorizado de Hitachi.

Problema	Posible Causa	Posible Solución
La herramienta no funciona	No hay carga restante en la batería	Cargue la batería.
	El interruptor disparador se mantuvo presionado mientras la batería estaba insertada.	La función de seguridad estaba activada. Si el interruptor disparador se suelta una vez y se vuelve a presionar, la herramienta funcionará.
La herramienta se ha detenido repentinamente	La herramienta se ha sobrecargado	Solucione el problema provocando la sobrecarga.
	La batería se ha sobrecalentado.	Deje que se enfríe.
	El interruptor disparador se mantuvo presionado durante 5 minutos o más.	Esto no es un fallo de funcionamiento. El motor se paró automáticamente para evitar fallos en la herramienta.
Las brocas de la herramienta -no se pueden ensamblar -se caen	La forma de la parte a ensamblar no coincide	Utilice una broca con un eje hexagonal que tenga un ancho de llave de 6,35 mm.
		Si utiliza una broca de tipo L, sustitúyala por una de tipo S.
No se puede tirar del interruptor	El botón de selección hacia adelante/atrás está situado en la mitad	Pulse el botón firmemente en la posición de dirección de rotación deseada.
Cuando se presiona el interruptor disparador se produce un ruido extraño de tono alto.	El interruptor disparador se está presionando ligeramente.	Esto no es un fallo de funcionamiento. Esto no ocurrirá si el interruptor disparador se presiona con más fuerza.
La cabeza del tornillo se cae o se afloja.	El número de broca no coincide con el tamaño del tornillo	Instale una broca adecuada.
	La broca está gastada	Sustitúyala por una nueva.

ACCESORIOS

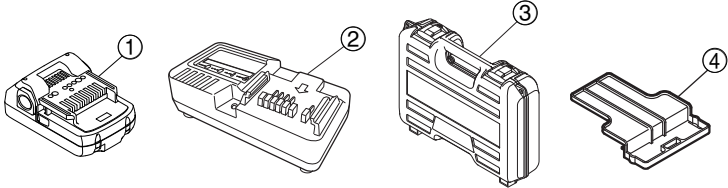
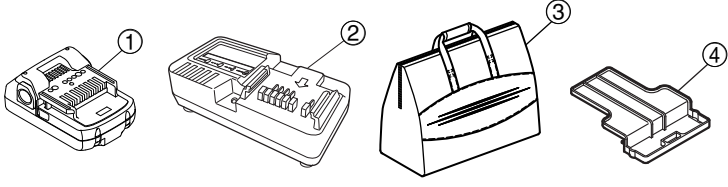
⚠ ADVERTENCIA

UTILICE únicamente repuestos y accesorios autorizados por HITACHI. No utilice nunca repuestos o accesorios no previstos para usar con esta herramienta. Si tiene dudas en cuanto a la seguridad de usar determinado repuesto o accesorio junto con su herramienta, póngase en contacto con HITACHI. La utilización de otros accesorios puede resultar peligrosa y causar lesiones o daños mecánicos.

NOTA

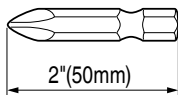
Las especificaciones están sujetas a cambio sin ninguna obligación por parte de HITACHI.

ACCESORIOS ESTÁNDAR

WH18DBFL2 (2LEGK)	 <p>① Batería (BSL1815) 2 ② Cargador de baterías (UC18YKSL) 1 ③ Caja de plástico (Nº de código 336642) 1 ④ Taps de batería (Nº de código 329897) 1</p>
WH18DBFL2 (LMGX)	 <p>① Batería (BSL1830C) 1 ② Cargador de baterías (UC18YKSL) 1 ③ Bolsa (Nº de código 331417) 1 ④ Taps de batería (Nº de código 329897) 1</p>

ACCESORIOS OPCIONALES.....de venta por separado

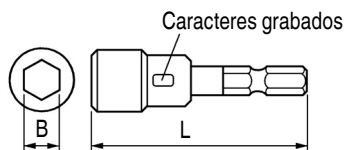
1. Batería (BSL1815 / BSL1830C)
2. Broca Phillips



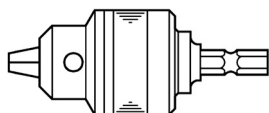
No. de destornillador	No. de código
No.2	992671
No.3	992672

3. Receptáculo hexagonal para tuercas y pernos

Nombre de la pieza	Caracteres grabados	L	B	No. de código
5 mm Receptáculo hexagonal	8	65	8	996177
6 mm Receptáculo hexagonal	10	65	10	985329
5/16" Receptáculo hexagonal	12	65	12	996178
8 mm Receptáculo hexagonal	13	65	13	996179
10 mm Receptáculo hexagonal (Tamaño pequeño)	14	65	14	996180
10 mm Receptáculo hexagonal	16	65	16	996181
10 mm Receptáculo hexagonal	17	65	17	996182
1/2" Receptáculo hexagonal largo	21	21	996197	

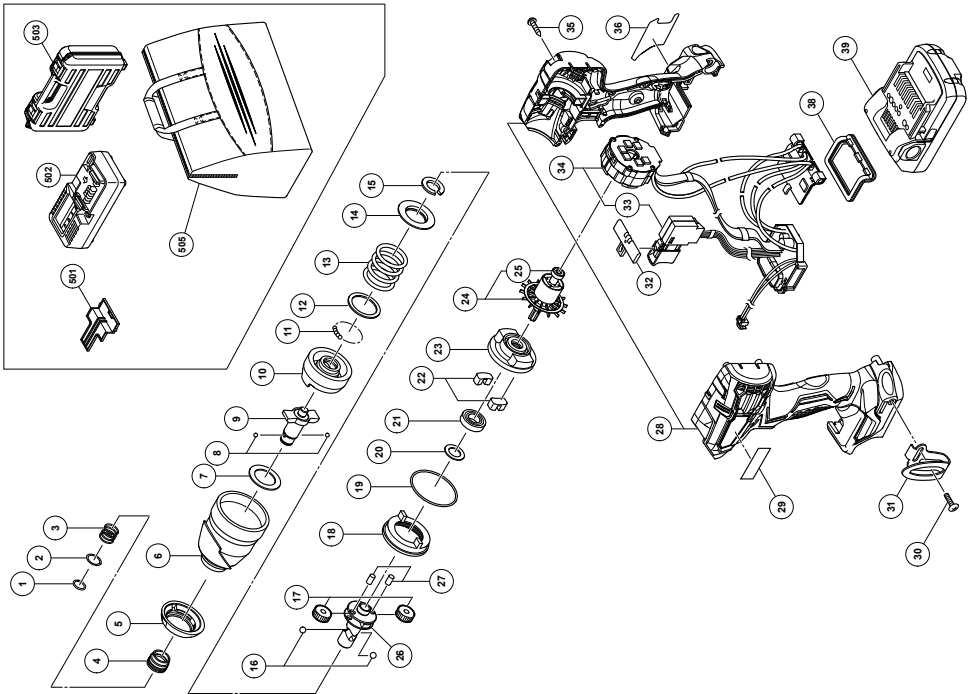


4. Juego adaptador de portabrocas: No. de código 321823
Monte las brocas que se venden en el mercado para perforar orificios.

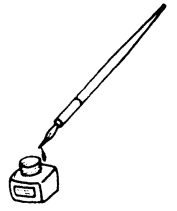


NOTA

Las especificaciones están sujetas a cambio sin ninguna obligación por parte de HITACHI.



Item No.	Part Name	QTY
1	RETAINING RING	1
2	WASHER (D)	1
3	GUIDE SPRING (D)	1
4	GUIDE SLEEVE	1
5	FRONT CAP	1
6	HAMMER CASE	1
7	WASHER (F)	1
8	STEEL BALL D3.5	2
9	ANVIL (S)	1
10	HAMMER	1
11	STEEL BALL D3.175	28
12	WASHER (J)	1
13	HAMMER SPRING (K)	1
14	WASHER (S)	1
15	STOPPER (C)	1
16	STEEL BALL D5.556	2
17	IDLE GEAR SET	2
18	RING GEAR (E)	1
19	O-RING (S-42)	1
20	WASHER (E)	1
21	BALL BEARING 6901VV	1
22	DUMPER (A)	2
23	INNER COVER (E)	1
24	ROTOR PINION ASSY	1
25	BALL BEARING 604DD	1
26	SPINDLE	1
27	NEEDLE ROLLER	2
28	HOUSING (A),(B) SET	1
29	LABEL	1
30	TRUSS HD. SCREW M4	1
31	HOOK	1
32	PUSHING BUTTON (B)	1
33	DC-SPEED CONTROL SWITCH	1
34	WIRING ASSY	1
35	TAPPING SCREW (W/FLANGE) D3x16	9
36	NAME PLATE	1
38	TERMINAL RUBBER (A)	1
39	BATTERY BSL1815 / BSL1830C	2/1
501	BATTERY COVER	1
502	CHARGER (MODEL UC18YKSL)	1
503	CASE	1
505	BAG	1





Please contact HITACHI KOKI U.S.A. LTD. at 1-800-59-TOOLS (toll free), or HITACHI AUTHORIZED POWER TOOL SERVICE CENTER regarding COLLECTION.



Pour le RAMASSAGE, contacter HITACHI KOKI U.S.A. LTD. au 1-800-59-TOOLS (appel gratuit), ou UN SERVICE APRÈS-VENTE D'OUTILS ÉLECTRIQUE AGRÉÉ PAR HITACHI.



Con respecto a la RECOLECCIÓN de baterías, póngase en contacto con HITACHI KOKI U.S.A. LTD. número 1-800-59-TOOLS (llamada gratis), o con HITACHI AUTHORIZED POWER TOOL SERVICE CENTER.

Issued by



Hitachi Koki Co., Ltd.

Sinagawa Intercity Tower A, 15-1, Konan 2-chome,
Minato-ku, Tokyo 108-6020, Japan

Distributed by



Hitachi Koki U.S.A., Ltd.

1111 Broadway Ave,
Braselton, Georgia, 30517



Hitachi Koki Canada Corp.

450 Export Blvd. Unit B,
Mississauga ON L5S 2A4