

HITACHI

Instruction and safety manual

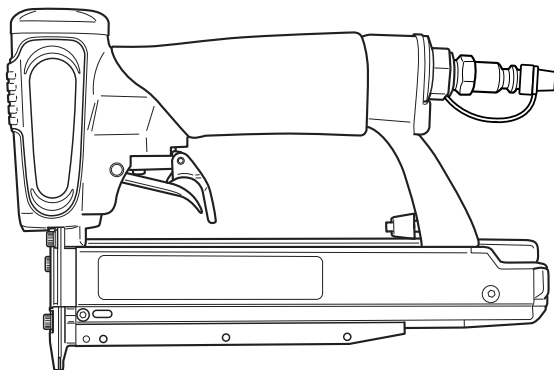
Manuel d'instructions et de sécurité

Instrucciones y manual de seguridad

Model
Modèle
Modelo

NP 35A

Pin Nailer
Micro pinnel
Clavadora pequeña



⚠ DANGER

Improper use of this Nailer can result in death or serious injury!
This Manual contains important information about product safety.
Read and understand this Manual before operating the Nailer.
Never allow anyone who has not reviewed this manual to use the tool.
This manual should be stored in safe place.

⚠ DANGER

Une utilisation incorrecte et sans respecter la sécurité de ce cloueur risque d'entraîner la mort ou des blessures graves !
Ce manuel renferme des instructions importantes sur la sécurité de l'outil.
Lire et bien assimiler ce manuel avant d'utiliser le cloueur.
Cet outil ne doit jamais être utilisé par une personne n'ayant pas pris connaissance du manuel.
Ce mode d'emploi doit être conservé dans un endroit sûr.

⚠ PELIGRO

¡La utilización inadecuada e insegura de este clavador puede resultar en lesiones serias o en la muerte!
Este manual contiene información importante sobre la seguridad del producto.
Lea y entienda este manual antes de utilizar el martillo neumático.
La herramienta no deberá utilizarse sin haber leído previamente este manual.
Este manual debe ser guardado en un lugar seguro.

Hitachi Koki

CONTENTS

English	Page		Page
IMPORTANT INFORMATION	3	WORKING ENVIRONMENT	10
DEFINITIONS OF SIGNAL WORDS	3	AIR SUPPLY	10
SAFETY		LUBRICATION.....	11
IMPORTANT SAFETY INSTRUCTIONS -		COLD WEATHER CARE	11
FOR USING NAILERS.....	4	TESTING THE NAILER	12
RESPONSIBILITIES OF EMPLOYER, TOOL		ADJUSTING AIR PRESSURE.....	13
OWNER AND TOOL OPERATOR.....	8	LOADING NAILS	13
OPERATION		NAILER OPERATION.....	14
NAME OF PARTS.....	9	METHODS OF OPERATION.....	14
SPECIFICATIONS	9	ADJUSTING THE NAILING DEPTH	15
NAIL SELECTION	10	USING THE NOSE CAP	15
ACCESSORIES.....	10	REMOVING THE NAILS.....	16
STANDARD ACCESSORIES	10	HANDLING THE NAILS	16
OPTIONAL ACCESSORIES	10	MAINTENANCE	
APPLICATIONS.....	10	MAINTENANCE AND INSPECTION.....	17
BEFORE OPERATION	10	SERVICE AND REPAIRS	18
		PARTS LIST.....	54

TABLE DES MATIÈRES

Français	Page		Page
INFORMATION IMPORTANTE	20	ENVIRONNEMENT DE TRAVAIL	27
DEFINITION DES MOTS DE SIGNALISATION	20	ALIMENTATION D'AIR	27
SÉCURITÉ		GRAISSAGE	28
CONSIGNES DE SÉCURITÉ IMPORTANTES		ENTRETIEN PAR TEMPS FROID.....	28
POUR L'UTILISATION DU CLOUEUR.....	21	ESSAI DU CLOUEUR.....	29
RESPONSABILITÉS DE L'EMPLOYEUR,		RÉGLAGE DE LA PRESSION D'AIR	30
DU PROPRIÉTAIRE DE L'OUTIL ET DE		CHARGEMENT DES CLOUS	30
L'OPÉRATEUR DE L'OUTIL.....	25	UTILISATION DU CLOUEUR	31
UTILISATION		METHODES D'UTILISATION.....	31
NOM DES PIÈCES	26	RÉGLAGE DE LA PROFONDEUR	
SPECIFICATIONS	26	DE CLOUAGE.....	32
SELECTION DES CLOUS.....	27	UTILISATION DU CAPUCHON DE BEC.....	33
ACCESSOIRES.....	27	RETIRER LES CLOUS	33
ACCESSOIRES STANDARD	27	MANIPULATION DES CLOUS.....	33
ACCESSOIRES EN OPTION	27	ENTRETIEN	
APPLICATIONS.....	27	ENTRETIEN ET INSPECTION.....	34
AVANT L'UTILISATION.....	27	ENTRETIEN ET REPARATIONS	35
		LISTE DES PIÈCES.....	54

ÍNDICE

Español	Página		Página
INFORMACIÓN IMPORTANTE.....	37	ENTORNO DE TRABAJO	44
DEFINICIÓN DE LAS PALABRAS CLAVE.....	37	SUMINISTRO DE AIRE	44
SEGURIDAD		LUBRICACIÓN	45
INSTRUCCIONES IMPORTANTES DE		CUIDADOS PARA CLIMAS FRÍOS.....	46
SEGURIDAD PARA LA UTILIZACIÓN DEL		PRUEBA DEL CLAVADOR	46
CLAVADOR	38	AJUSTE DE LA PRESIÓN DE AIRE	47
RESPONSABILIDADES DEL EMPLEADOR, EL		CARGA DE CLAVOS.....	47
PROPIETARIO DE LA HERRAMIENTA Y EL		OPERACIÓN DEL CLAVADOR.....	48
OPERADOR DE LA HERRAMIENTA.....	42	MÉTODOS DE OPERACIÓN	48
OPERACIÓN		AJUSTE DE LA PROFUNDIDAD	
NOMENCLATURA	43	DE CLAVADO	49
ESPECIFICACIONES.....	43	UTILIZACIÓN DE LA TAPA PARA	
SELECCIÓN DE CLAVOS.....	44	EL MORRO.....	50
ACCESORIOS	44	EXTRAIGA LOS CLAVOS.....	50
ACCESORIOS ESTÁNDAR	44	MANEJO DE LOS CLAVOS	50
ACCESORIOS OPCIONALES	44	MANTENIMIENTO	
APLICACIONES	44	MANTENIMIENTO E INSPECCIÓN.....	51
ANTES DE LA OPERACIÓN.....	44	SERVICIO Y REPARACIONES	52
		LISTA DE PIEZAS	54

IMPORTANT INFORMATION



Read and understand tool labels and all of the operating instructions, safety precautions and warnings in this manual before operating or maintaining this Nailer.
Failure to follow warnings could result in DEATH or SERIOUS INJURY

Most accidents that result from the operation and maintenance of Nailers are caused by the failure to observe basic safety rules or precautions. An accident can often be avoided by recognizing a potentially hazardous situation before it occurs, and by observing appropriate safety procedures.

Basic safety precautions are outlined in the "SAFETY" section of this Manual and in the sections which contain the operation and maintenance instructions.

Hazards that must be avoided to prevent bodily injury or machine damage are identified by DANGERS and WARNINGS on the Nailer and in this Manual.

NEVER use this Nailer for applications other than those specified in this Manual.

DEFINITIONS OF SIGNAL WORDS

DANGER indicates an imminently hazardous situation which, if not avoided, will result in death or serious injury.

WARNING indicates a potentially hazardous situation which, if not avoided, could result in death or serious injury.

CAUTION indicates a potentially hazardous situation which, if not avoided, may result in minor or moderate injury, or may cause machine damage.

NOTE emphasizes essential information.

SAFETY

IMPORTANT SAFETY INSTRUCTIONS - FOR USING NAILERS

INSTRUCTIONS PERTAINING TO A RISK OF FIRE, ELECTRIC SHOCK, OR INJURY TO PERSONS

● General

To reduce the risks of electric shock, fire, and injury to persons, **READ ALL THE INSTRUCTIONS BEFORE USING THE TOOL.**

⚠ DANGER

1. OPERATORS AND OTHERS IN WORK AREA MUST WEAR EYE PROTECTION (SAFETY GLASSES WITH SIDE SHIELDS).



When operating the Nailer, always wear safety glasses with side shields, and make sure others in work area wear safety glasses, too.

Safety glasses must conform to the requirements of American National Standards Institute, ANSI Z87.1 and provide protection against flying particles both from the front and side.

Ordinary eyeglasses do not provide adequate protection.

The employer must enforce the use of safety glasses by the Nailer operator and others in work area.

2. NEVER USE REACTIVE GASES OR OTHER BOTTLED GASES. EXPLOSION MAY OCCUR.



Never use reactive gases such as oxygen, combustible gases or any other bottled gases as a power source for the Nailer.

Use of the above gases is dangerous, as the Nailer will explode.

Use only clean, dry, regulated compressed air.

⚠ WARNING

3. NEVER POINT TOOL AT YOURSELF OR OTHERS IN WORK AREA.



Always assume that the Nailer contains fasteners.

Never point the Nailer toward yourself or others, whether it contains fasteners or not.

If fasteners are mistakenly driven, it can lead to severe injuries.

Never engage in horseplay with the Nailer. Respect the Nailer as a working implement.

4. DO NOT PLACE FINGER ON DOUBLE TRIGGER (TRIGGER AND LOCK LEVER) AND KEEP FINGERS AWAY FROM DOUBLE TRIGGER WHEN NOT DRIVING FASTENERS TO AVOID ACCIDENTAL DISCHARGE.

Never carry the Nailer with finger on double trigger since you could drive a fastener unintentionally and injure yourself or someone else.

Always carry the Nailer by the handle only.

5. KNOW AND UNDERSTAND WHAT TRIGGER SYSTEM YOU ARE USING.

Read and understand section titled "METHODS OF OPERATION." (page 14)

6. DO NOT MAKE CONTACT WITH SAFETY TIP (PUSH LEVER) WHEN NOT DRIVING FASTENERS.

SAFETY — Continued

WARNING

When using tools, basic precautions should always be followed, including the following:

1. Work area

(1) **Keep the work area clean and well lighted.**

Cluttered benches and dark areas increase the risks of electric shock, fire, and injury to persons.

(2) **Do not operate the Nailer in explosive atmospheres, such as in the presence of flammable liquids, gases, or combustible dust.**

The Nailer is able to create sparks resulting in the ignition of the dust or fumes.

(3) **Keep bystanders, children, and visitors away while operating the Nailer.** Distractions are able to result in the loss of control of the Nailer.

2. Personal safety


(1) **Stay alert. Focus on your work and use common sense when working with the Nailer. Do not use the Nailer while tired, after having consumed drugs or alcohol, or while under the influence of medication.**

A moment of inattention while operating the Nailer increases the risk of injury to persons.

(2) **Dress properly. Do not wear loose clothing or jewelry. Contain long hair. Keep hair, clothing, and gloves away from moving parts.**

Loose clothes, jewelry, or long hair increases the risk of injury to persons as a result of being caught in moving parts.

(3) **Avoid unintentional starting. Be sure the switch is off before connecting to the air supply.** Do not carry the Nailer with your finger on the switch or connect the Nailer to the air supply with the switch on.

(4)  **WARNING** – **Disconnect the Nailer from the air source before making adjustments, doing Nailer maintenance, clearing jams, attaching or removing the nose cap, when not in use, leaving work area, leaving the Nailer outside of the operator's supervision or control, loading, or unloading the Nailer, handing it to another person, elevating, lowering or otherwise moving the Nailer to a new location.** Never attempt to clear a jam or repair the Nailer unless you have disconnected air hose from the Nailer and removed all remaining fasteners from the Nailer. The Nailer should never be left unattended since people who are not familiar with the Nailer might handle it and injure the themselves.

Such precautionary measures reduce the risk of injury to persons.

(5) **Do not overreach. Keep proper footing and balance at all times.** Proper footing and balance enables better control of the Nailer in unexpected situations.

(6) **Use safety equipment.** A dust mask, non-skid safety shoes and a hard hat must be used for the applicable conditions.


(7)  **WARNING** – **Risk of hearing loss. Wear hearing protection.**

Hearing protection shall have a Noise Reduction Rating (NRR) determined in accordance with US Environmental Protection Agency rules that is appropriate for noise exposure.

(8) **Always wear head protection. Always wear head protection to protect your head from flying objects.**

(9) **Do not attach the hose or Nailer to your body.**

Attach the hose to the structure to reduce the risk of loss of balance if the hose shifts.

(10)  **WARNING** – **Drive Nails into proper work surface only.** Do not drive nail into other nails. This is able to cause the fastener to be deflected and hit someone, or cause the Nailer to react and result in a risk of injury to persons.

3. Nailer use and care

(1) **Use clamps or another practical way to secure and support the workpiece to a stable platform.**

Holding the work by hand or against the body is unstable and is able to lead to loss of control.

(2) **Do not force the Nailer.** Use the correct Nailer for the application. The correct Nailer will do the job better and safer at the rate for which the Nailer is designed.

(3) **Do not use the Nailer if the switch does not turn the Nailer on or off.** Any Nailer that cannot be controlled with the switch is dangerous and must be repaired.

Never use Nailer which is defective or operating abnormally. If the Nailer appears to be operating unusually, making strange noises, or otherwise appears defective, stop using it immediately and arrange for repairs by a Hitachi authorized service center.

SAFETY — Continued

⚠ WARNING

(4) **Disconnect the Nailer from the air source before making any adjustments, changing accessories, or storing the Nailer.** Such preventive safety measures reduce the risk of starting the Nailer unintentionally.

(5) **Store the Nailer when it is idle out of reach of children and other untrained persons.** A Nailer is dangerous in the hands of untrained users.

(6) **Maintain the Nailer with care.** Keep the Nailer Clean and lubricated for better and safer performance.

(7) **Check for misalignment or binding of moving parts, breakage of parts, and any other condition that may affect the Nailer's operation.**

If damaged, have the Nailer serviced before using. Because of high air pressure in the Nailer, cracks in the surface are dangerous. To avoid this, do not drop the Nailer or strike the Nailer against hard surfaces; and do not scratch or engrave signs on the Nailer. Many accidents are caused by poorly maintained Nailers. There is a risk of bursting if the Nailer is damaged.

(8) **Do not use the Nailer that is not in proper working order. Tags and physical segregation shall be used for control.**

(9) **Use only accessories that are identified by Hitachi for the specific Nailer.** Use of an accessory not intended for use with the specific Nailer , increases the risk of injury to persons.

(10) **Use only those fasteners listed in the Accessories section of this manual.** Fasteners not identified for use with this Nailer by Hitachi are able to result in a risk of injury to persons or Nailer damage when used in this Nailer.

4. Service

(1) **Tool service must be performed only by qualified repair personnel.**

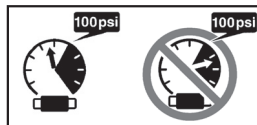
(2) **When servicing a Nailer, use only identical replacement parts. Use only authorized parts.**

(3) **Use only the lubricants supplied with the Nailer or specified by Hitachi.**

5. Air source

(1) **Never connect to an air source that is capable of exceeding 200 psi (13.7 bar 14 kgf/cm²) if a regulator fails.**

Over pressurizing the Nailer is able to result in bursting, abnormal operation, breakage of the Nailer or serious injury to persons.



DO NOT EXCEED 100 psi (6.9 bar 7 kgf/cm²).

Use only clean, dry, regulated compressed air at the rated pressure or within the rated pressure range as marked on the Nailer.

Always verify prior to using the Nailer that the air source has been adjusted to the rated air pressure or within the rated air-pressure range.

(2) **Never use reactive gases such as oxygen, carbon dioxide, combustible gases or any bottled gas as an air source for the Nailer.** Such gases are capable of explosion and serious injury to persons.

6. Others

(1) **Be careful of unwanted ejection or being hit by the Nailer due to spring back (“recoil”).**

After driving a nail, the Nailer may recoil causing it to move away from the work surface.

To reduce risk of injury always manage recoil by:

- 1) always maintaining control of the Nailer.
- 2) allowing recoil to move the Nailer away from work surface.
- 3) not resisting recoil such that the Nailer will be forced back into the work surface.
- 4) pulling the trigger rapidly and firmly, and releasing it QUICKLY.
- 5) keeping face and body parts away from the Nailer.

(2) **Never Use NON relieving coupler on Nailer.** If a non relieving coupler is used on the Nailer, the Nailer can remain charged with air after disconnecting and thus will be able to drive a fastener even after disconnecting. The Nailer and air hose must have a hose coupling such that all pressure is removed from the Nailer when the coupling joint is disconnected.

(3) **Check double trigger before use.** The Nailer will not operate unless you pull the lock lever before you pull the trigger.

SAFETY — Continued

WARNING

Make sure the lock lever operates properly, and is not inoperable, disconnected, or altered. (The lock lever may be called “Safety”.) Never use the Nailer unless the lock lever is operating properly, otherwise the Nailer could drive a fastener unexpectedly. Do not tamper with or remove the lock lever, or otherwise cause the lock lever to become inoperable.

With no nails loaded in the Nailer, connect the air hose and check the following.

- There is no operating noise from the piston inside the Nailer when the trigger is pulled without first pulling the lock lever.

Using the Nailer when it is not operating normally may lead to injury. If any abnormality occurs, contact the dealer where the Nailer was purchased or your nearest Hitachi authorized service center and arrange for repairs.

- (4) **Keep all screws and covers tightly in place.** Keep all screws and covers tightly mounted. Check their condition periodically. Never use the Nailer if parts are missing or damaged.
- (5) **Do not load fasteners with trigger or lock lever pulled.** When loading fasteners into the Nailer or when connecting the air hose,
 - 1) do not pull the trigger;
 - 2) do not pull the lock lever; and
 - 3) keep the Nailer pointed downward.
- (6) **Keep hands and body away from firing head during use.** Never place your hands or feet closer than 8 inches (200 mm) from the firing head. A serious injury can result if the fasteners are deflected by the workpiece, or are driven away from the point of entry.
- (7) **When working close to an edge of a workpiece or at steep angles, or driving fasteners into thin workpiece use care to minimize chipping, splitting or splintering, or free flight, ricochet or piercing of fasteners, which may cause injury.**
- (8) **Never drive fasteners from both sides of a wall at the same time.** The fasteners can be driven into and through the wall and hit a person on the opposite side.
- (9) **Use extra caution when driving the Nailer into existing walls or other blind areas to prevent contact with hidden objects or persons on other side (eg., wires, pipes).**
- (10) **Check for live wires.** Avoid the risk of severe electrical shock by checking for live electrical wires that may be hidden by walls, floors or ceilings. Turn off the breaker switch to ensure there are no live wires.
- (11) **Do not lift, pull or lower the Nailer by the hose.**
- (12) **Do not disconnect air hose from Nailer with finger on Trigger.** The Nailer can fire when re-connected to An air supply.
- (13) **Handle Nailer correctly.** Operate the Nailer according to this Manual. Never allow the Nailer to be operated by children, individuals unfamiliar with its operation or unauthorized personnel.
- (14) **Never use Nailer for applications other than those specified in this manual.**
- (15) **Never modify or alter a Nailer.** Doing so may cause it to malfunction and personal injuries may result.

SAFETY — Continued

WARNING

RESPONSIBILITIES OF EMPLOYER, TOOL OWNER AND TOOL OPERATOR

1. Ensure that this MANUAL is available to operators and personnel performing maintenance.
2. Train the operator in the safe use of the Nailer as described in this MANUAL.
3. Ensure that only persons who have read and understand this MANUAL operate the Nailer.
4. Ensure that Nailers are used only when operators and others in work area are wearing EYE PROTECTION, and other appropriate personal protective equipment such as HEAD, HEARING, FOOT PROTECTION.
5. Enforce the use of EYE PROTECTION by operators and others in work area.
6. Ensure that Nailers are kept in safe working order as described in this MANUAL.
7. Maintain Nailers properly.
8. Ensure that only qualified personnel shall repair Nailers.
9. Ensure that Nailers that require repair are removed from service and that tags and physical segregation are used as a means of control.

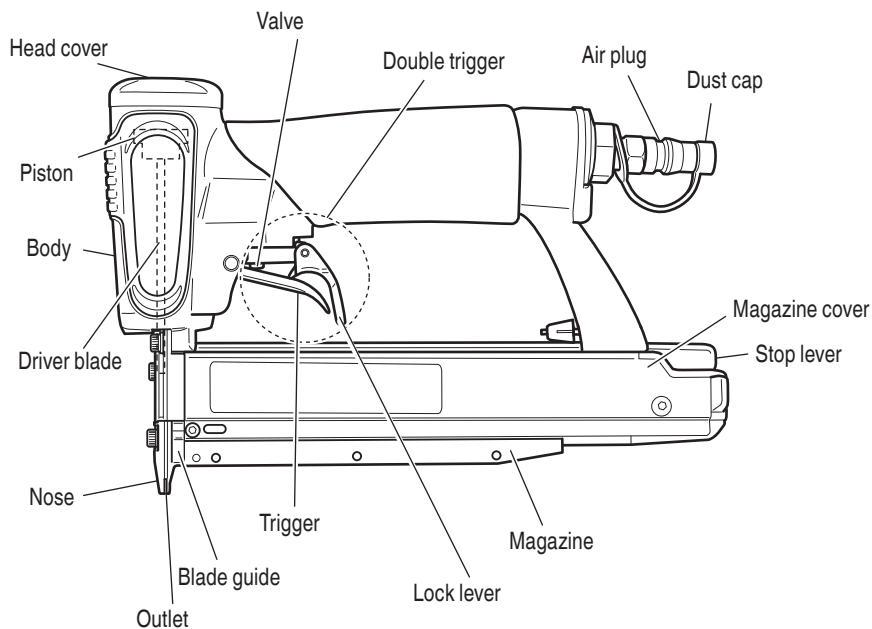
**SAVE THIS MANUAL AND
KEEP IT AVAILABLE FOR OTHERS!**

OPERATION

NOTE: The information contained in this Manual is designed to assist you in the safe operation of the Nailer.

Some illustrations in this Manual may show details or attachments that differ from those on your own Nailer.

NAME OF PARTS



SPECIFICATIONS

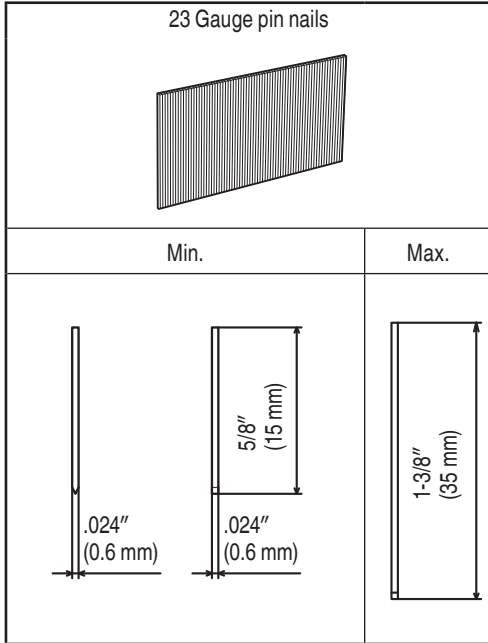
Operating pressure	64 – 100 psi (4.4 – 6.9 bar 4.5 – 7 kgf/cm ²)
Dimensions Length x Height x Width	9-3/8" x 6-3/8" x 1-27/32" (238 mm x 162 mm x 47 mm)
Weight	2.0 lbs. (0.9 kg)
Nail capacity	100 nails
Air consumption	.018 ft ³ /cycle at 100 psi (.5 ltr/cycle at 6.9 bar) (.5 ltr/cycle at 7 kgf/cm ²)
Air inlet	1/4 NPT Thread

NAIL SELECTION

⚠ WARNING

- Be sure to use only the genuine HITACHI nails for the NP35A. The use of any other nails can result in tool malfunction and/or nail breakdown, leading to serious injuries.

Only nails shown in the Table below can be driven with this Nailer.

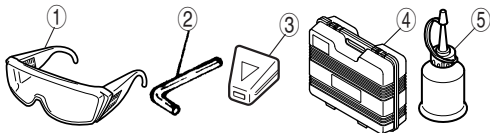


ACCESSORIES

⚠ WARNING

- Accessories other than those shown below can lead to malfunction and resulting injuries.

STANDARD ACCESSORIES



① Eye protection	1
② Allen wrench for M4 screw	1
③ Nose cap (A)	2
④ Case	1
⑤ Lubricant oiler	1

OPTIONAL ACCESSORIES ... sold separately

- Pneumatic tool lubricant
 - 1 oz. (30 cc) oil feeder (Code No. 877153)
 - 4 oz. (120 cc) oil feeder (Code No. 874042)
 - 1 quart (1 ltr) can (Code No. 876212)

NOTE

Accessories are subject to change without any obligation on the part of HITACHI.

APPLICATIONS

- Installation of decorated plywood such as baseboards and edgings in interiors of buildings.

BEFORE OPERATION

Read section titled "SAFETY" (pages 4 - 8).

Make sure of the followings before operation.

WORKING ENVIRONMENT

⚠ WARNING

- No flammable gas, liquid or other flammable objects at worksite.
- Clear the area of children or unauthorized personnel.

AIR SUPPLY

⚠ DANGER



- NEVER use reactive gases or other bottled gases. Explosion may occur.

⚠ WARNING

- Never connect Nailer to pressure which potentially exceeds 200 psi (13.7 bar 14 kgf/cm²) if a regulator fails.
- Never use non relieving coupler on Nailer.

1. Power source
 - Use only clean, dry, regulated compressed air as a power source for this Nailer.
 - Air compressors used to supply compressed air to this Nailer must comply with the requirements of the latest version of ANSI Standard B 19.3 "Safety Standard For Compressors For Process Industries".
 - Moisture or oil in the air compressor may accelerate wear and corrosion in the Nailer.

Drain daily.

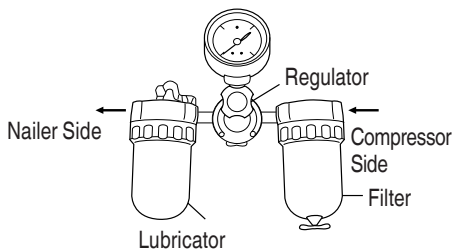
2. Filter-Regulator-Lubricator
 - Use a regulator with a pressure range of 0 – 100 psi (0 – 6.9 bar 0 – 7 kgf/cm²).
 - Filter-regulator-lubricator units supply an optimum condition for the Nailer and extend the Nailer life.

These units should always be used.

Filter The filter removes moisture and dirt mixed in compressed air.
 Drain daily unless fitted with an automatic drain.
 Keep the filter clean by regular maintenance.

Regulator..... The regulator controls the operating pressure for safe operation of the Nailer.
 Inspect the regulator before operation to be sure it operates properly.

Lubricator The lubricator supplies an oil mist to the Nailer.
 Inspect the lubricator before operation to be sure the supply of lubricant is adequate.
 Use Hitachi pneumatic tool lubricant.



3. Air hose

Compressed air supply hoses shall have a minimum working pressure rating equal to or greater than the pressure from the power source if a regulator fails, or 150 psi (10.4 bar 10.6 kgf/cm²), whichever is greater.

4. Air consumption

Using the Air consumption table and the Air compressor size formula, find a correct compressor size.

Air consumption table

	psi	80	90	100
Operating pressure	(bar)	(5.5)	(6.2)	(6.9)
	(kgf/cm ²)	(5.6)	(6.3)	(7)
Air consumption	ft ³ /cycle	.011	.015	.018
	(ltr/cycle)	(.3)	(.4)	(.5)

Air compressor size formula

$$\begin{aligned} &\text{Amount of air required} \\ &= \text{number of Nailers} \\ &\quad \times \text{average nails driven each minute per Nailer} \\ &\quad \times \text{air consumption at given air pressure} \\ &\quad \times \text{safety factor (always 1.2)} \end{aligned}$$

Example: 3 Nailers operating at 100 psi driving 30 nails per minute

$$\begin{aligned} &\text{Amount of air required} \\ &= 3 \times 30 \times .018 (.5) \times 1.2 \\ &= 1.9 \text{ CFM (ft}^3\text{/min) (94 ltr/min)} \end{aligned}$$

After making the calculations as shown above, you should find a compressor providing 1.9 CFM of air that is required.

LUBRICATION

It is important that the Nailer be properly lubricated. Without proper lubrication, the Nailer will not work properly and parts will wear prematurely.

- Use Hitachi pneumatic tool lubricant.
Do not use detergent oil or additives. These lubricants will harm the O-rings and other rubber parts. This will cause the Nailer to malfunction.
- Filter-regulator-lubricator units should always be used. Keep the lubricator filled with Hitachi pneumatic tool lubricant.
- If a lubricator is not available, supply 5 – 10 drops of Hitachi pneumatic tool lubricant into the air plug on the Nailer twice a day.

COLD WEATHER CARE

- Do not store the Nailer in a cold weather environment. Keep the Nailer in a warm area until beginning the work.
- If the Nailer is already cold, bring it in a warm area and allow the Nailer to warm up before use.
 - ① Reduce the air pressure to 64 psi (4.4 bar 4.5 kgf/cm²).
 - ② Remove all nails from the Nailer.
 - ③ Connect the air hose and free-fire (blank-fire) the Nailer.
The lowered air pressure will be enough to free-fire the Nailer.
Slow speed operation tends to warm up the moving part.

⚠ CAUTION

- Do not free-fire the Nailer at high pressure.

TESTING THE NAILER

⚠ DANGER



- Operators and others in work area must wear safety glapsses with side shields which conforms to ANSI Z87.1 specifications.

Ordinary eyeglasses do not provide adequate protection.

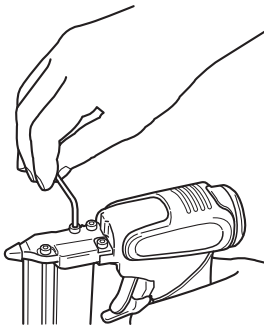
⚠ WARNING

- Never use Nailer unless lock lever is operating properly.

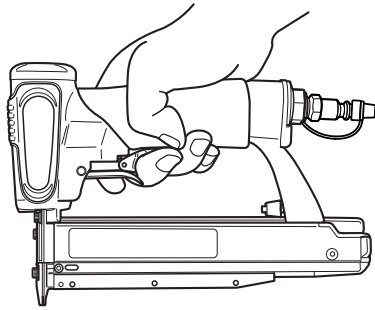
Before actually beginning the nailing work, test the Nailer by using the checklist below. Conduct the tests in the following order.


If abnormal operation occurs, stop using the Nailer and contact a Hitachi authorized service center immediately.

- (1) Disconnect air hose from Nailer.
Remove all nails from Nailer.
 - All crews must be tightened.
If any screws are loose, tighten them.



- The lock lever and trigger must move smoothly.



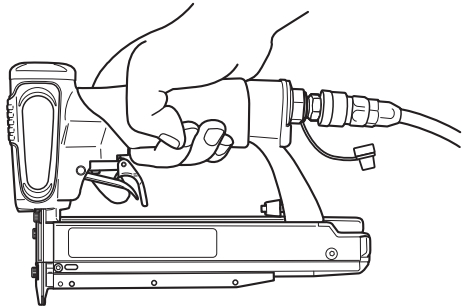
Do not connect air hose
↓


- (2) Adjust the air pressure to 64 psi (4.4 bars 4.5 kgf/cm²).
Connect the air hose.
Do not load any nails in the Nailer.

- The Nailer must not leak air.

Hold the Nailer downward, without touching the lock lever and pull the trigger.

- The Nailer must not operate.

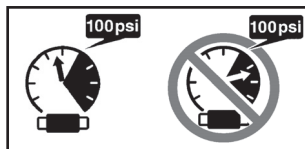


- (3) If no abnormal operation is observed, you may load nails in the Nailer.
Drive nails into the workpiece that is the same type to be used in the actual application.

- The Nailer must operate properly.

ADJUSTING AIR PRESSURE

⚠ WARNING



- Do not exceed 100 psi (6.9 bars 7 kgf/cm²).

Adjust the air pressure at recommended operating pressure 64 – 100 psi (4.4 – 6.9 bar 4.5 – 7 kgf/cm²) according to the length of nails and the hardness of workpiece.

The correct air pressure is the lowest pressure which will do the job. Using the Nailer at a higher than required air pressure unnecessarily over stresses the Nailer.

LOADING NAILS

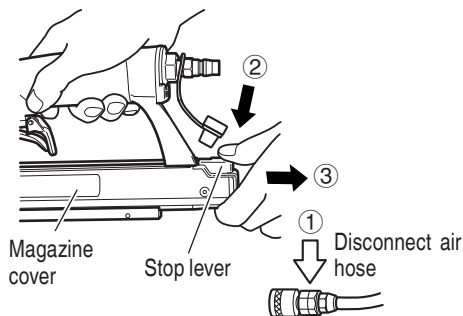
⚠ WARNING

- When loading nails into Nailer,
 - 1) disconnect air hose
 - 2) do not pull trigger and lock lever; and
 - 3) keep Nailer pointed downward.

NOTE

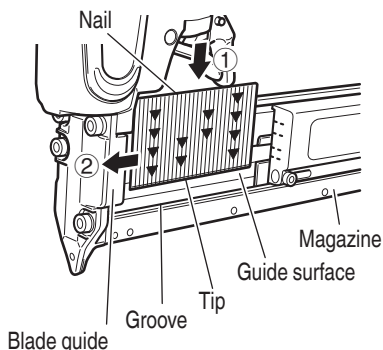
Use 5 or more connected nails.

- (1) ① Disconnect air hose from Nailer.
- (2) ② Lightly depress the stop lever.
- (3) ③ Pull out the magazine cover slowly.



- (2) ① Place the nails against the magazine guide surface and insert the tips of the nails as far as they will go into the groove in the magazine.

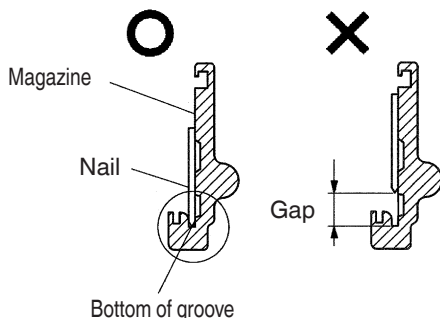
- ② Feed the nails in the magazine into the blade guide with your fingers.



- (3) Push the back-end of the magazine cover forward and check that the nails do not protrude from the magazine guide surface before closing the magazine.

NOTE

- Load the nails with the tips facing toward the groove in the magazine.
- Do not load nails of different lengths.
- Nails between 15 mm and 35 mm long can be used in this Nailer without any adjustment, but whatever length they are, make sure that the tips of the nails are inserted as far as they will go into the groove in the magazine.



The Nailer is now ready to operate.

NAILER OPERATION

Read section titled "SAFETY" (pages 4 – 8).

⚠ DANGER



- Operators and others in work area must wear safety glasses with side shields which conforms to ANSI Z87.1 specifications.

Ordinary eyeglasses do not provide adequate protection.

⚠ WARNING



- Only person who have read and understand this MANUAL should operate the Nailer.
- Never point tool at yourself or others in work area.

- Keep fingers AWAY from trigger and lock lever when not driving nails to avoid accidental discharge.
- Know and understand what trigger system you are using.
Please read and understand "Methods of operation" found below.
- Never place your hands or body closer than 8 inches (200 mm) from firing head when using.
- Do not drive nails into other nails; nails can ricochet and hurt someone.
- Do not actuate Nailer unless Nailer is placed firmly against the workpiece.
- In order to avoid unwanted ejection of a nail due to bouncing of the Nailer,
 - 1) release trigger quickly when performing trigger fire.
- When working close to an edge of a workpiece or at steep angles, or driving fasteners into thin workpiece use care to minimize chipping, splitting or splintering, or free flight, ricochet or piercing of fasteners, which may cause injury.
- Never drive nails from both sides of a wall at the same time. Nails can be driven into and through the wall and hit a person on the opposite side.

- Never use Nailer which is defective or operating abnormally.
- Do not use Nailer as hammer.
- Disconnect air hose from Nailer when:
 - 1) it is not in use;
 - 2) leaving work area;
 - 3) elevating, lowering or otherwise moving it to another location;
 - 4) handing it to another person;
 - 5) performing any maintenance or repairs;
 - 6) clearing a jam;
 - 7) Nailer is outside of the operator's supervision or control;
 - 8) removing nails from the magazine;
 - 9) adjusting nailing depth; and
 - 10) attaching or removing the nose cap.

METHODS OF OPERATION

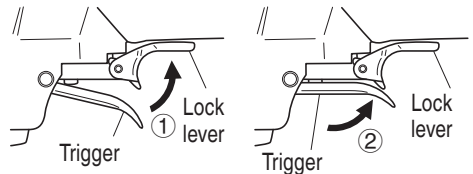
⚠ WARNING

- After the lock lever has been pulled, nails can be driven simply by pulling the trigger. Do not touch the trigger or the lock lever other than when driving nails.
- Do not drive one nail on top of another.

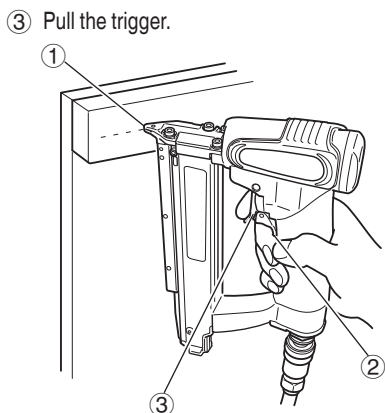
NOTE

When using the Nailer in low temperatures, operation may be affected.

1. Using the trigger and lock lever
In addition to the usual trigger, this Nailer is equipped with a lock lever that acts as a safety device. Nails are driven by pulling the lock lever and then pulling the trigger.



2. Driving nails
 - ① Press the nail exit lightly against the position where you want to drive the nail.
 - ② Pull the lock lever.



ADJUSTING THE NAILING DEPTH

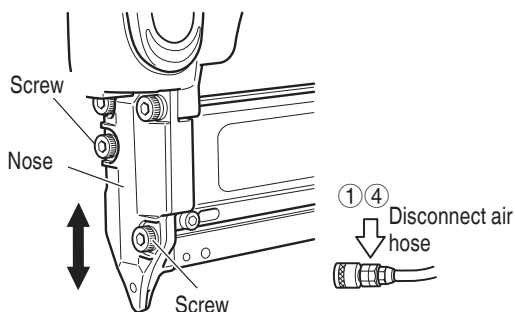
⚠ WARNING

- When adjusting the nose, be sure to remove your finger from the trigger and lock lever, and disconnect the air hose from the Nailer.

To assure that each nail penetrates to the same depth, be sure that:

- 1) the air pressure to the Nailer remains constant (regulator is installed and working properly), and
 - 2) the Nailer is always held firmly against the workpiece.
- If nails are driven too deep or shallow into the workpiece, adjust the nailing in the following order.

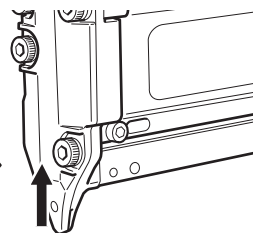
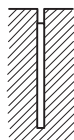
- ① Disconnect air hose from Nailer.



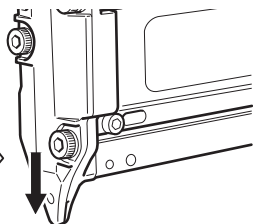
- ② To adjust the driven-in depth of a nail, loosen the screw that secures a nose.

If the nail is driven in deeply, adjust the nose to “up”, and if it’s driven in shallowly, adjust the nose to “down”.

Too deep



Too shallow



- ③ Tighten the screw to fasten the nose when a suitable position is reached for a nailing test.
- ④ Connect the air hose. Always wear eye protector. Perform a nailing test.
- ⑤ Disconnect air hose from Nailer.
- ⑥ Choose a suitable position for the nose.

USING THE NOSE CAP

⚠ WARNING

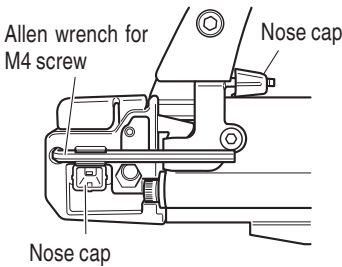
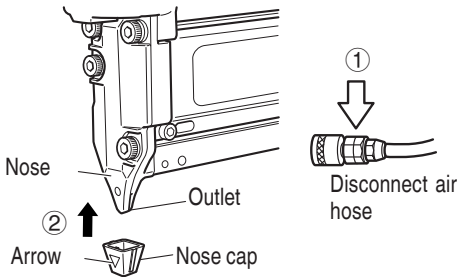
- When attaching or detaching the nose cap, be sure to remove your finger from the trigger and lock lever, and disconnect the air hose from the Nailer.

If you like to protect the surface of workpiece against scratches or markings made by the nose, attach the accessory nose cap to the nose.

- ① Disconnect air hose from Nailer.
- ② Attach the nose cap to the nose with the arrow mark on the cap facing toward the front.
- ③ When not using the nose cap, secure in the storage compartment located on the reverse side of the magazine.

NOTE

The nose cap may reduce nailing depth due to its thickness. Re-adjustment of nailing depth is required.



REMOVING THE NAILS

⚠ WARNING

- Before removing the nails, be sure to remove your finger from the trigger and lock lever, and disconnect the air hose.

- (1) When 15 or more nails remain
 - Depress the stop lever and pull out the magazine cover.
 - Remove the nails from the magazine.
- (2) When fewer than 15 nails remain
 - Remove the nose using the 3 mm Allen wrench stored in the back-end of the magazine.
 - Remove the nails from the guide surface of the blade guide.
(See section 1 of "MAINTENANCE AND INSPECTION" on page 17)

NOTE

When fewer than 15 nails remain, use caution as it is hard to see the remaining nails in the blade guide.

HANDLING THE NAILS

NOTE

- Handle the nails carefully.
If nails are dropped, the connection may break. Using nails in this condition may cause mis-feeding and jamming.
- Do not expose the nails to the outside air or to direct sunlight for long periods as this may lead to rusting or faulty connection of the nails. When not in use, keep the nails in the box.

MAINTENANCE

NOTE: The information contained in this Manual is designed to assist you in the safe maintenance of the Nailer.

Some illustrations in this Manual may show details or attachments that differ from those on your own Nailer.

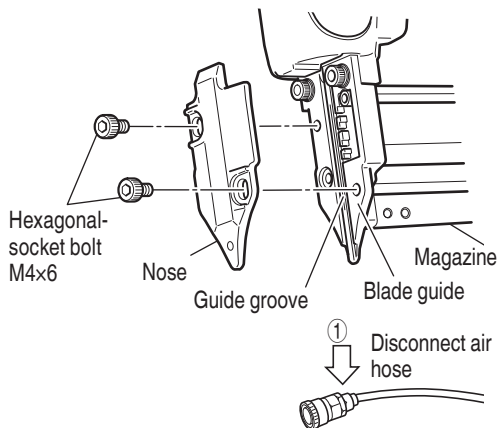
MAINTENANCE AND INSPECTION

Read section titled "SAFETY" (pages 4 – 8).

⚠ WARNING

- **Disconnect air hose, remove your finger from the trigger and lock lever, and remove all nails from Nailer when:**
 - 1) **doing maintenance and inspection; and**
 - 2) **clearing a jam.**

1. **Clearing a jam**
Remove a jammed nail in the following order:
 - ① Disconnect air hose.
 - ② Remove all nails.
 - ③ Remove the nose with the Allen wrench stored in the rear of the magazine.



- ④ Remove the jammed nail with a slotted-head screwdriver.
- ⑤ Install the nose.
- ⑥ In case of frequent jam, contact a Hitachi authorized service center.

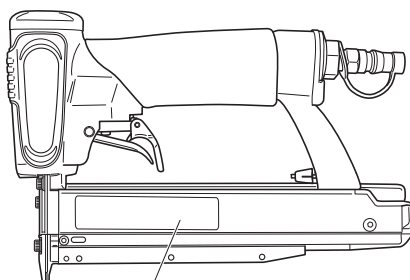
2. Storing

- When not in use for an extended period, apply a thin coat of the lubricant to the steel parts to avoid rust.
- Do not store the Nailer in a cold weather environment. Keep the Nailer in a warm area.

- When not in use, the Nailer should be stored in a warm and dry place.
Keep out of reach children.

3. Warning label

Do not use the Nailer with missing or damaged WARNING LABEL.
A new warning label is available from a Hitachi authorized service center.



Warning label

4. Maintenance chart (page 18)
5. Operator troubleshooting (page 19)
6. Service parts list

⚠ CAUTION

Repair, modification and inspection of Hitachi Power Tools must be carried out by a Hitachi Authorized Service Center.

This Parts List will be helpful if presented with the tool to the Hitachi Authorized Service Center when requesting repair or other maintenance. In the operation and maintenance of power tools, the safety regulations and standards prescribed in each country must be observed.

MODIFICATIONS

Hitachi Power Tools are constantly being improved and modified to incorporate the latest technological advancements.
Accordingly, some parts may be changed without prior notice.

SERVICE AND REPAIRS

 **WARNING**

- Only service personnel trained by Hitachi, distributor or employer shall repair the Nailer.
- Use only parts supplied or recommended by Hitachi for repair.

All quality Nailers will eventually require servicing or replacement of parts because of wear from normal use.

NOTE

Specifications are subject to change without any obligation on the part of HITACHI.

Maintenance chart

ACTION	WHY	HOW
Drain air line filter daily.	Prevent accumulation of moisture and dirt.	Open manual petcock.
Keep lubricator filled.	Keep the Nailer lubricated.	Fill with Hitachi pneumatic tool lubricant.
Clean filter element and blow air through filter in direction opposite to normal flow daily.	Prevent clogging of filter with dirt.	Follow manufacturer's instructions.
Clean magazine and feeder mechanism.	Prevent a jam.	Blow clean daily.
Keep lock lever working properly.	Promote operator safety and efficient Nailer operation.	Blow clean daily.
Lubricate the Nailer after nailing.	Extend the Nailer life.	Supply 5 – 10 drops of lubricant into the Nailer.
Drain air compressor daily.	Keep the Nailer operated properly.	Open petcock on air compressor tank.

Operator troubleshooting

Most minor problems can be resolved quickly and easily using the table below.

If problems persist, contact a Hitachi authorized service center for assistance.

PROBLEM	CHECK METHOD	CORRECTION
Nailer operates, but no nail is driven.	Check for a jam.	Clear a jam page 17.
	Nailer feeder damaged?	Replace nail feeder.
	Pushing spring weakend or damaged?	Replace pushing spring.
	Check for proper nails.	Use only recommended nails.
Weak drive. Slow to cycle.	Check air pressure.	Increase air pressure. (Do not exceed 100 psi (6.9 bar 7 kgf/cm ²))
	Check position of nailing depth adjuster.	Readjust per page 15.
	—————	Use Hitachi pneumatic tool lubricant.
	Driver blade worn?	Contact Hitachi for replacement.
	Piston O-ring worm or damaged?	
Drives too deep.	Check air pressure.	Reduce air pressure. (Adjust 64 – 100 psi (4.4 – 6.9 bar 4.5 – 7 kgf/cm ²))
	Check position of nailing depth adjuster.	Readjust per page 15.
Skipping nails Intermittent feed.	Check for proper nails.	Use only recommended nails.
	Nailer feeder damaged?	Replace nail feeder.
	Pushing spring weakend or damaged?	Replace pushing spring.
	Piston O-ring worn or damaged?	Contact Hitachi for replacement.
Nails jam. Driven nail is bent.	Check for proper nails.	Use only recommended nails.
	Driven blade worn?	Contact Hitachi for replacement.
Drives properly during normal operation, but does not drive fully at faster nailing speeds.	Check inside diameter of air hose.	Use larger air hose.

INFORMATION IMPORTANTE



Lire et bien assimiler toutes les étiquettes de l'outil ainsi que toutes les instructions de fonctionnement, les consignes de sécurité et les avertissements de ce mode d'emploi avant d'utiliser ou d'entretenir ce cloueur.

Le non respect des avertissements pourrait entraîner la MORT ou des BLESSURES GRAVES.

la plupart des accidents résultant de l'utilisation ou de l'entretien des cloueurs sont dus au non respect de certaines consignes et précautions de sécurité élémentaires. Un accident peut souvent être évité en reconnaissant une situation potentiellement dangereuse avant qu'elle ne se produise, et en respectant les procédures de sécurité applicables.

Les consignes de sécurité élémentaires sont données dans la section "SECURITE" du manuel et dans les sections relatives aux instructions d'utilisation et d'entretien.

Les dangers à éviter pour empêcher tout risque de blessures ou de dommage de l'outil sont identifiés par les mots DANGER et AVERTISSEMENT, sur le cloueur et dans ce manuel.

NE JAMAIS utiliser ce cloueur pour des applications autres que celles qui sont spécifiées dans ce manuel.

DEFINITION DES MOTS DE SIGNALISATION

DANGER indique une situation imminente dangereuse qui, si elle n'est pas évitée, entraînera la mort ou des blessures graves.

AVERTISSEMENT indique une situation potentiellement dangereuse qui, si elle n'est pas évitée, risque d'entraîner la mort ou des blessures graves.

ATTENTION indique une situation potentiellement dangereuse qui, si elle n'est pas évitée, risque d'entraîner des blessures légères ou modérées, ou d'endommager l'outil.

REMARQUE met en relief les informations essentielles.

SECURITE

CONSIGNES DE SÉCURITÉ IMPORTANTES POUR L'UTILISATION DU CLOUEUR

CONSIGNES RELATIVES À UN RISQUE D'INCENDIE, DE CHOC ÉLECTRIQUE OU DE BLESSURES CORPORELLES

● Généralités

Afin de réduire les risques de choc électrique, d'incendie et de blessures physiques, **LIRE TOUTES LES INSTRUCTIONS AVANT D'UTILISER L'OUTIL.**

⚠ DANGER

1. LES OPÉRATEURS ET LES AUTRES PERSONNES DANS L'AIRE DE TRAVAIL DOIVENT PORTER UNE PROTECTION OCULAIRE (LUNETTES DE PROTECTION AVEC ÉCRANS LATÉRAUX).



Quand on utilise le cloueur, toujours porter des lunettes de protection avec visières latérales, et veiller à ce que les autres personnes dans la zone de travail en portent également.

Les lunettes de protection devront respecter les exigences de l'ANSI (American National Standards Institute) Z87.1 et assurer la protection contre les projections de particules arrivant par l'avant et par le côté.

Les lunettes ordinaires ne fournissent pas une protection adéquate.

L'employeur doit veiller à ce que la personne qui utilise le cloueur et les autres personnes dans l'aire de travail portent des lunettes de protection.

2. NE JAMAIS UTILISER DE GAZ RÉACTIFS NI AUCUN AUTRE GAZ EN BOUTEILLE. IL POURRAIT SE PRODUIRE UNE EXPLOSION.



Ne jamais utiliser de gaz réactifs (tels que l'oxygène), de gaz combustibles ni aucun autre gaz en bouteille comme source d'alimentation du cloueur.

L'utilisation de ces gaz serait dangereuse, car le cloueur exploserait.

Utiliser exclusivement de l'air comprimé propre, sec et régulé.

⚠ AVERTISSEMENT

3. NE JAMAIS DIRIGER L'OUTIL VERS SOI NI VERS QUELQU'UN D'AUTRE DANS L'AIRE DE TRAVAIL.



Toujours supposer que le cloueur renferme des clous.

Ne jamais diriger le cloueur vers soi, ni vers quelqu'un d'autre, qu'il renferme des clous ou non.

Si l'on enfonce des clous par erreur, cela risque de provoquer des blessures graves.

Ne jamais s'amuser avec le cloueur.

Le cloueur est un instrument de travail. Le respecter.

Ne jamais transporter le cloueur avec le doigt sur la double gâchette, car on risquerait d'enfoncer accidentellement un clou et de se blesser ou de blesser quelqu'un d'autre.

Toujours transporter le cloueur exclusivement par sa poignée.

5. CONNAÎTRE ET COMPRENDRE LE SYSTÈME DE GÂCHETTE UTILISÉ.

Lire et bien assimiler la section intitulée "MÉTHODES D'UTILISATION". (pages 31– 32)

4. NE PAS POSITIONNER LES DOIGTS SUR LA DOUBLE GÂCHETTE (GÂCHETTE ET LEVIER DE VERROUILLAGE) ET MAINTENIR LES DOIGTS ÉLOIGNÉS DE CELLE-CI QUAND ON N'EFFECTUE PAS DE CLOUAGE POUR ÉVITER TOUT RISQUE DE CLOUAGE ACCIDENTEL.

6. NE PAS ENTRER EN CONTACT AVEC L'EMBOUT DE SÉCURITÉ (LEVIER-POUSOIR) QUAND ON N'EFFECTUE PAS DE CLOUAGE.

SECURITE — Suite

⚠ AVERTISSEMENT

Lors de l'utilisation de ces outils, des précautions de base doivent être respectées, notamment:

1. Zone de travail

- (1) **Maintenir la zone de travail propre et bien éclairée.**

Les zones sombres et encombrées augmentent les risques de choc électrique, d'incendie ou blessures physiques.

- (2) **Ne pas utiliser le cloueur dans un endroit présentant un risque d'explosion, par exemple en présence de liquides inflammables, de gaz ou de poussières combustibles.**

Le cloueur peut provoquer des étincelles susceptibles d'enflammer la poussière ou les vapeurs.

- (3) **Maintenir les passants, enfants et visiteurs à l'écart pendant l'utilisation du cloueur.** Toute distraction peut provoquer la perte de contrôle du cloueur.

2. Sécurité personnelle

- (1) **Rester sur ses gardes. Se concentrer sur la tâche et faire preuve de bon sens quand on travaille avec le cloueur. Ne pas utiliser le cloueur si on est fatigué, après avoir consommé des drogues ou de l'alcool, ou sous l'influence de médicaments.**

Tout moment d'inattention pendant l'utilisation du cloueur augmente le risque de blessures physiques.

- (2) **Porter des vêtements appropriés. Ne pas porter de vêtements amples ou de bijoux. Si l'on a les cheveux longs, les maintenir sous un couvre-chef. Maintenir les cheveux, vêtements et gants à l'écart des pièces mobiles.**

Les vêtements amples, les bijoux et les cheveux longs augmentent le risque de blessures physiques car ils peuvent être entraînés par les pièces mobiles.

- (3) **Éviter toute mise en marche accidentelle. Vérifier que le commutateur est sur arrêt avant de brancher le tuyau d'air.** Ne pas transporter le cloueur en gardant le doigt sur le commutateur ou raccorder le tuyau d'air quand le commutateur est sur marche.

- (4) **⚠ AVERTISSEMENT** – **Débrancher le tuyau d'air du cloueur quand on effectue des réglages ou l'entretien, on retire des clous coincés, fixation et retrait du capuchon avant, on ne s'en sert pas, on quitte l'aire de**

travail, on le laisse hors de la supervision ou du contrôle de l'opérateur, on le charge ou le décharge, on le passe à quelqu'un d'autre, on le soulève ou l'abaisse, ou on le déplace dans un autre endroit. Ne jamais essayer de retirer des clous coincés ou de réparer le cloueur si le tuyau d'air n'est pas débranché et que les clous restants n'ont pas été retirés du cloueur. Le cloueur ne doit jamais rester sans surveillance car des personnes non familiarisées avec ce type d'outil pourraient le manipuler et se blesser.

Ces mesures de précaution réduisent le risque de blessures physiques.

- (5) **Ne pas trop se pencher. Conserver une bonne assise et un bon équilibre en permanence.** Une bonne assise et un bon équilibre favorisent un meilleur contrôle du cloueur dans des situations inattendues.

- (6) **Utiliser des équipements de sécurité.** Utiliser un masque anti-poussière, des chaussures de sécurité antidérapantes et un casque de sécurité lorsque les conditions l'exigent.

- (7) **⚠ AVERTISSEMENT** – **Risque de perte auditive. Porter une protection auditive.**

La protection auditive doit avoir un CAS (coefficient d'atténuation sonore) déterminé selon les règles de l'Agence américaine de la protection de l'environnement, approprié pour l'exposition au bruit.

- (8) **Toujours porter un casque.** **Toujours porter un casque pour se protéger la tête contre les projectiles.**

- (9) **Ne pas attacher le tuyau ou le cloueur à votre corps.**

Attacher le tuyau à la structure pour réduire le risque de perte d'équilibre en cas de mouvements brusques du tuyau.

- (10) **⚠ AVERTISSEMENT** – **Enfoncer les clous uniquement dans une surface de travail appropriée.** Ne pas enfoncer les clous dans d'autres clous. Celui-ci pourrait ricocher et blesser quelqu'un, ou provoquer une réaction inattendue du cloueur susceptible d'entraîner une blessure physique.

SECURITE — Suite

⚠ AVERTISSEMENT

3. Utilisation et entretien du cloueur

- (1) **Utiliser des serre-joints ou tout autre moyen pratique pour maintenir la pièce sur une surface stable en toute sécurité.**

Maintenir la pièce à la main ou contre soi est une technique instable et peut provoquer une perte de contrôle.

- (2) **Ne pas forcer sur le cloueur.** Utiliser le cloueur approprié à votre usage. Le cloueur approprié effectuera la tâche en toute sécurité selon les spécifications pour lesquelles il est destiné.

- (3) **Ne pas utiliser le cloueur si le commutateur ne permet pas de le mettre sur marche ou arrêt.** Tout cloueur ne pouvant pas être contrôlé par le commutateur est dangereux et doit être réparé.

Ne jamais utiliser un cloueur défectueux ou qui ne fonctionne pas normalement. Si le cloueur semble ne pas fonctionner comme d'habitude, qu'il émet des bruits bizarres ou qu'il semble défectueux, cesser immédiatement de l'utiliser et le faire réparer par un service après-vente Hitachi agréé.

- (4) **Débrancher le tuyau d'air du cloueur avant de procéder à des réglages, de changer des accessoires ou de le remiser.** Ces mesures de sécurité préventives réduisent le risque de déclenchement accidentel du cloueur.

- (5) **Remiser le cloueur, lorsqu'il est inutilisé, hors de portée des enfants et de toute personne non formée à son utilisation.** Un cloueur s'avère dangereux entre les mains de personnes non formées à son utilisation.

- (6) **Entretenir soigneusement le cloueur.** Veiller à ce que le cloueur soit toujours propre et graissé pour obtenir un fonctionnement optimal et en toute sécurité.

- (7) **Contrôler tout mauvais alignement ou grippage des pièces mobiles, toute rupture de pièces et toute autre situation pouvant affecter le fonctionnement du cloueur.**

S'il est endommagé, faire réparer le cloueur avant toute nouvelle utilisation. En raison de la pression d'air élevée à l'intérieur du cloueur, les fissures en surface sont dangereuses. Pour éviter tout risque, ne pas faire tomber le cloueur ni le heurter contre des surfaces dures ; et ne pas le rayer ni y graver d'inscriptions. De nombreux accidents sont provoqués par des cloueurs mal entretenus. Il y a un risque d'éclatement si le cloueur est endommagé.

- (8) **Ne pas utiliser un cloueur en mauvais état de marche. Des étiquettes et une séparation physique doivent être utilisées pour contrôle.**

- (9) **Utiliser exclusivement des accessoires fournis ou recommandés par Hitachi pour ce cloueur spécifique.** L'utilisation d'un accessoire non destiné à ce cloueur spécifique augmente le risque de blessures physiques.

- (10) **Utiliser exclusivement les clous mentionnés dans la section Accessoires du présent manuel.** Les clous non recommandés par Hitachi en vue d'une utilisation avec ce cloueur augmentent le risque de blessures physiques ou peuvent endommager le cloueur.

4. Entretien

- (1) **L'entretien de cet outil doit être confié exclusivement au personnel d'entretien qualifié.**

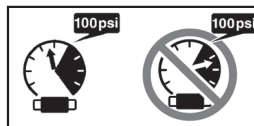
- (2) **Pour les réparations, utiliser exclusivement des pièces de rechange identiques. Utiliser exclusivement des pièces agréées.**

- (3) **Utiliser exclusivement la graisse fournie avec le cloueur ou recommandée par Hitachi.**

5. Alimentation d'air

- (1) **Ne jamais raccorder le cloueur à une source d'alimentation qui risque de dépasser 200 psi (13.7 bars 14 kgf/cm²) si une défaillance du régulateur se produit.**

Une pression excessive à l'intérieur du cloueur peut provoquer son éclatement, un fonctionnement anormal, la panne du cloueur ou des blessures physiques graves.



NE PAS DÉPASSER 100 psi (6.9 bars 7 kgf/cm²).

Utiliser exclusivement de l'air comprimé propre, sec et régulé à la pression nominale ou dans la plage de pression nominale indiquée sur le cloueur.

Toujours vérifier, avant d'utiliser le cloueur, que l'alimentation d'air a été ajustée en fonction de la pression d'air nominale ou dans la plage de pression d'air nominale stipulée.

SECURITE — Suite

⚠ AVERTISSEMENT

- (2) **Ne jamais utiliser de gaz réactifs (tels que l'oxygène), de dioxyde de carbone, de gaz combustibles ou tout autre gaz en bouteille comme source d'alimentation du cloueur.** L'utilisation de ces gaz pourrait provoquer une explosion et causer de graves blessures physiques.

6. Autres

- (1) **Faire attention aux éjections indésirables ou aux coups par le cloueur suite au retour brutal (« rappel »).**

Après avoir enfoncé un clou, le cloueur peut effectuer un rappel causant son éloignement de la surface de travail.

Pour réduire le risque de blessure, toujours gérer le rappel en :

- 1) maintenant toujours le contrôle du cloueur.
 - 2) laissant le rappel éloigner le cloueur de la surface de travail.
 - 3) ne résistant pas au rappel de sorte que le cloueur sera refoulé contre la surface de travail.
 - 4) tirer sur la gâchette rapidement et fermement, et la relâcher RAPIDEMENT.
 - 5) éloignant le visage et les parties du corps du cloueur.
- (2) **Ne jamais utiliser de coupleur NON dégaugeant sur le cloueur.** Si l'on utilise un coupleur non dégaugeant sur le cloueur, celui-ci risque de rester chargé d'air après le débranchement et, par conséquent, d'enfoncer un clou même après avoir été débranché. Le cloueur et le tuyau d'air doivent avoir un coupleur de tuyau de façon à ce que toute la pression soit évacuée du cloueur quand on débranche le joint de couplage.
- (3) **Vérifier la double gâchette avant l'utilisation.**

Le cloueur ne fonctionnera pas si le levier de verrouillage n'est pas tiré avant la gâchette.

S'assurer que le levier de verrouillage fonctionne correctement, et qu'il ne soit pas inutilisable, déconnecté, ou modifié. (Le levier de verrouillage est parfois appelé "sécurité.") Ne jamais utiliser le cloueur si le levier de verrouillage ne fonctionne pas correctement. Un clou pourrait s'enfoncer accidentellement. Ne pas toucher au levier de verrouillage ni le retirer, car sinon il pourrait devenir inutilisable.

Alors qu'aucun clou n'est chargé dans le cloueur, connecter le tuyau d'air et vérifier les points suivants.

- Aucun bruit de fonctionnement n'est émis par le piston à l'intérieur du cloueur lorsque la gâchette est tirée avant de commencer par tirer sur le levier de verrouillage.
- L'utilisation du cloueur alors qu'il ne fonctionne pas normalement présente un risque de blessure. En cas d'anomalie, contacter le lieu d'achat du cloueur ou le service après-vente Hitachi agréé le plus proche pour le faire réparer.
- (4) **Veiller à ce que toutes les vis et les couvercles soient en place et bien serrés.** Veiller à ce que les vis et les couvercles soient solidement fixés. Les vérifier périodiquement. Ne jamais utiliser le cloueur si des pièces sont manquantes ou sont endommagées.
- (5) **Ne pas charger de clous si la gâchette ou le levier de verrouillage sont tirés.** Quand on charge des clous dans le cloueur ou qu'on raccorde le tuyau d'air,
- 1) ne pas tirer sur la gâchette;
 - 2) ne pas tirer sur le levier de verrouillage; et
 - 3) diriger le cloueur vers le bas.
- (6) **Éloigner les mains et le corps de la tête de clouage pendant l'utilisation.** Ne jamais approcher les mains ni les pieds à moins de 8 pouces (200 mm) de la tête de clouage. Il y a un risque de blessure grave si les clous sont déviés par la pièce ou qu'ils sont déportés au-delà du point d'entrée.
- (7) **Quand on travaille près du bord d'une pièce ou à un angle prononcé, ou quand on enfonce des clous dans une pièce fine, prendre soin de minimiser le déchiquetage, le fractionnement ou l'éclatement, ou le vol libre, le ricochet ou le perçage des clous, pouvant provoquer des blessures.**
- (8) **Ne jamais enfoncer de clous des deux côtés d'un mur en même temps.** Les clous pourraient traverser le mur et blesser quelqu'un de l'autre côté.
- (9) **Redoubler de précaution quand on cloue dans des murs existants ou d'autres zones mortes pour prévenir le contact avec des objets cachés ou des personnes de l'autre côté (par ex., câbles, tuyaux).**

SECURITE — Suite

AVERTISSEMENT

- (10) **Vérifier s'il y a des fils sous tension.** Pour éviter tout risque d'électrocution grave, vérifier s'il y a des fils sous tension dissimulés dans le mur, le plancher ou le plafond. Couper le disjoncteur pour s'assurer qu'il n'y a pas de fils sous tension.
- (11) **Ne pas lever, tirer ou abaisser le cloueur par le tuyau.**
- (12) **Ne pas débrancher le tuyau d'air du cloueur avec le doigt sur la gâchette.** Le pourrait se déclencher lorsque l'alimentation d'air sera à nouveau raccordée.
- (13) **Manipuler le cloueur correctement.** Utiliser le cloueur en suivant les instructions du manuel. Ne jamais permettre que le cloueur soit utilisé par des enfants, des personnes non familiarisées avec son fonctionnement ou du personnel non autorisé.
- (14) **Ne jamais utiliser le cloueur pour des applications autres que celles spécifiées dans le présent manuel.**
- (15) **Ne jamais modifier ni altérer un cloueur.** Cela pourrait provoquer un mauvais fonctionnement et entraîner des blessures physiques.

RESPONSABILITÉS DE L'EMPLOYEUR, DU PROPRIÉTAIRE DE L'OUTIL ET DE L'OPÉRATEUR DE L'OUTIL

1. Veiller à ce que ce MANUEL reste à la disposition des personnes qui doivent utiliser ou entretenir le cloueur.
2. Former l'opérateur à l'utilisation sécuritaire du cloueur comme décrit dans ce MANUEL.
3. Veiller à ce que seules les personnes qui ont lu et compris ce MANUEL utilisent le cloueur.
4. Veiller à ce que les cloueurs soient utilisés exclusivement lorsque les opérateurs et les autres personnes présentes dans l'aire de travail portent des LUNETTES DE PROTECTION et un autre équipement de protection individuelle approprié comme une PROTECTION POUR LA TÊTE, LES OREILLES ET LES PIEDS.
5. Obliger les opérateurs et les autres personnes présentes dans l'aire de travail à porter des LUNETTES DE PROTECTION.
6. Veiller à ce que les cloueurs soient conservés en bon état de marche comme décrit dans ce MANUEL.
7. Entretenir les cloueurs correctement.
8. Veiller à ce que seul le personnel qualifié répare les cloueurs.
9. Veiller à ce que les cloueurs qui ont besoin d'être réparés soient retirés du service et que des étiquettes et une séparation physique soient utilisées comme moyen de contrôle.

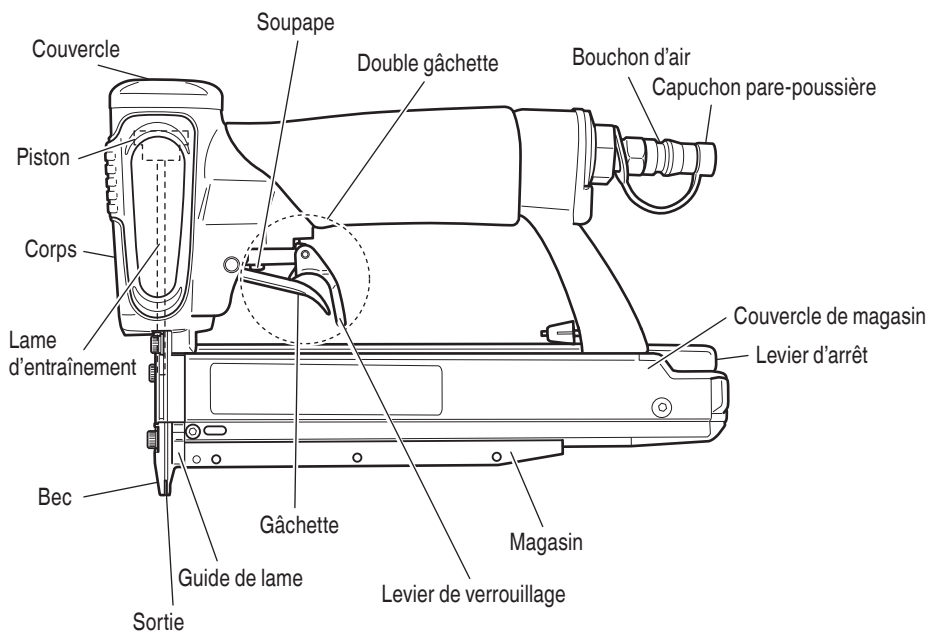
**CONSERVER CE MANUEL ET
LE METTRE A LA DISPOSITION DES
UTILISATEURS!**

UTILISATION

REMARQUE: Les informations contenues dans ce manuel ont pour but d'aider l'opérateur à utiliser le cloueur en toute sécurité.

Certaines des illustrations du manuel peuvent montrer des détails ou des accessoires qui diffèrent de ceux de votre cloueur.

NOM DES PIECES



SPECIFICATIONS

Pression d'utilisation	64 – 100 psi (4.4 – 6.9 bar 4.5 – 7 kgf/cm ²)
Dimensions Longueur x Hauteur x Largeur	9-3/8" x 6-3/8" x 1-27/32" (238 mm x 162 mm x 47 mm)
Poids	2.0 lbs. (0.9 kg)
Contenance de clous	100 clous
Consommation d'air	.018 ft ³ /cycle à 100 psi (.5 ltr/cycle à 6.9 bars) (.5 ltr/cycle à 7 kgf/cm ²)
Arrivée d'air	Filetage 1/4 NPT

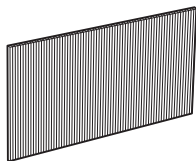
SELECTION DES CLOUS

⚠ AVERTISSEMENT

- Bien utiliser exclusivement les clous HITACHI d'origine avec le NP35A. L'utilisation d'autres clous risque de provoquer un mauvais fonctionnement de l'outil et/ou une rupture des clous, et d'entraîner des blessures.

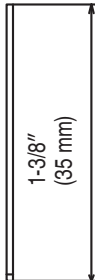
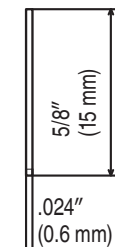
Seuls les clous indiqués dans le tableau ci-dessous pourront être utilisés avec ce cloueur.

Clous d'épingle de calibre 23



Min.

Max.

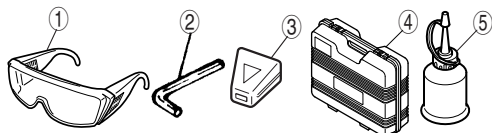


ACCESSOIRES

⚠ AVERTISSEMENT

- Les accessoires autres que ceux indiqués ci-dessous risquent de mal fonctionner et de provoquer des blessures.

ACCESSOIRES STANDARD



① Lunettes de protection	1
② Clé Allen pour vis M4	1
③ Chapuchon de bec (A)	2
④ Boîte	1
⑤ Huileur de lubrification	1

ACCESSOIRES EN OPTION

... vendus séparément

- Huile de machine pneumatique
- Alimenteur d'huile 1 oz (30 cc) (Code No. 877153)
- Alimenteur d'huile 4 oz (120 cc) (Code No. 874042)
- Alimenteur d'huile 1 quart (1 l) (Code No. 876212)

REMARQUE

Les accessoires sont sujets à modification sans préavis et sans aucune obligation de la part de HITACHI.

APPLICATIONS

- Installation de contreplaqués décoratifs, comme des plinthes et des bordurettes à l'intérieur de bâtiments.

AVANT L'UTILISATION

Lire la section intitulée "SECURITE" (pages 21 – 25). Bien vérifier les points suivants avant de travailler.

ENVIRONNEMENT DE TRAVAIL

⚠ AVERTISSEMENT

- Pas de gaz ou liquides inflammables, ni aucun autre objet inflammable sur le chantier.
- Evacuer les enfants et les personnes non autorisées de l'aire de travail.

ALIMENTATION D'AIR

⚠ DANGER



- NE JAMAIS utiliser de gaz réactifs ni aucun autre gaz en bouteille. Il pourrait se produire une explosion.

⚠ AVERTISSEMENT

- Ne jamais raccorder le cloueur à une pression qui risque de dépasser 200 psi (13.7 bars 14 kgf/cm²) si une défaillance du régulateur se produit.
- Ne jamais utiliser de coupleur non dégageant sur le cloueur.

1. Alimentation

- Utiliser exclusivement de l'air comprimé propre, sec et régulé avec ce cloueur.
- Les compresseurs d'air utilisés pour alimenter l'air comprimé au cloueur devront respecter les exigences ANSI B19.3 "Normes de sécurité pour les compresseurs des industries de transformation".
- L'humidité ou l'huile dans le compresseur d'air peuvent accélérer l'usure et la corrosion du cloueur. Purger tous les jours.

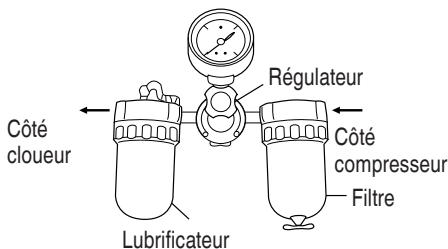
2. Filtre-régulateur-lubrificateur

- Utiliser un régulateur d'une pression comprise entre 0 - 100 psi (0 - 6.9 bars 0 - 7 kgf/cm²).
- Les unités filtre-régulateur-lubrificateur procureront les conditions optimales du cloueur et accroîtront sa durée de service. Toujours les utiliser.

Filtre Le filtre enlève l'humidité et la saleté mélangées à l'air comprimé. Purger tous les jours, sauf si l'outil possède une purge automatique. Nettoyer régulièrement le filtre.

Régulateur..... Le régulateur contrôle la pression de fonctionnement afin d'assurer la sécurité du cloueur. Inspecter le régulateur avant le travail pour s'assurer qu'il fonctionne correctement.

Lubrificateur Le lubrificateur alimente de l'huile vaporisée au cloueur. Inspecter le lubrificateur avant le travail pour s'assurer que l'alimentation d'huile est adéquate. Utiliser une huile de machine pneumatique Hitachi.



3. Tuyau d'air

Les tuyaux d'alimentation d'air comprimé doivent avoir une pression de travail minimum égale ou supérieure à la pression de la source d'alimentation si une défaillance du régulateur se produit, ou égale ou supérieure à 150 psi (10.4 bar 10.6 kgf/cm²), à savoir la plus élevée.

4. Consommation d'air

Sélectionner la taille du compresseur en se reportant au tableau de consommation d'air et aux formules de taille du compresseur.

Tableau de consommation d'air

	psi	80	90	100
Pression de fonctionnement	(bar)	(5.5)	(6.2)	(6.9)
	(kgf/cm ²)	(5.6)	(6.3)	(7)
Consommation d'air	ft ³ /cycle	.011	.015	.018
	(l/cycle)	(.3)	(.4)	(.5)

Formules de taille du compresseur d'air

Quantité d'air requise

= nombre de clous

× clous moyens enfoncés par minute par le cloueur

× consommation d'air à une pression donnée

× facteur de sécurité (toujours 1.2)

Exemple: 3 cloueurs fonctionnant à 100 psi et enfonçant 30 clous par minute

Quantité d'air requise

= 3 × 30 × .018 (.5) × 1.2

= 1.9 CFM (ft³/min) (94 ltr/min)

Effectuer le calcul ci-dessus pour obtenir un compresseur fournissant les 1.9 CFM d'air nécessaires.

GRAISSAGE

Il est essentiel que le cloueur soit graissé correctement. Si le cloueur est mal graissé, il ne fonctionnera pas correctement et les pièces s'useront prématurément.

- Utiliser une huile de machine Hitachi.

Ne pas utiliser d'huile détergente ni d'additifs. Ces lubrifiants endommageraient les joints toriques et les autres pièces en caoutchouc. Cela provoquerait un mauvais fonctionnement du cloueur.

- Toujours utiliser des unités filtre-régulateur-lubrificateur.

Veiller à ce que le régulateur soit toujours plein d'huile de machine pneumatique Hitachi.

- Si l'on ne possède pas de lubrificateur, mettre 5 à 10 gouttes d'huile de machine pneumatique Hitachi dans le bouchon d'air du cloueur deux fois par jour.

ENTRETIEN PAR TEMPS FROID

- Ne pas ranger le cloueur dans un environnement froid. Le laisser dans un endroit chaud jusqu'à ce que l'on soit prêt à travailler.
- Si le cloueur est déjà froid, l'amener dans un endroit chaud et le laisser réchauffer avant de l'utiliser.

- ① Réduire la pression d'air à 64 psi (4.4 bars 4.5 kgf/cm²).

- ② Sortir tous les clous du cloueur.
- ③ Raccorder le tuyau d'air et faire un essai de clouage (clouage à blanc).
La pression d'air inférieure sera suffisante pour le clouage à blanc.
Les opérations à vitesse lente ont tendance à chauffer les pièces mobiles.

⚠ ATTENTION

- Ne pas faire un essai de clouage à blanc à haute pression.

ESSAI DU CLOUEUR

⚠ DANGER



- Les opérateurs et les autres personnes dans l'aire de travail doivent porter des lunettes de protection avec visières latérales respectant les exigences ANSI Z87.1.

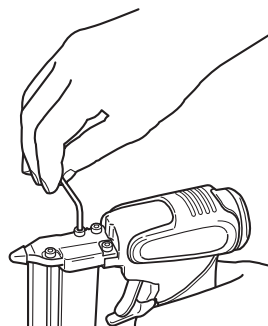
Les lunettes ordinaires ne fournissent pas une protection adéquate.

⚠ AVERTISSEMENT

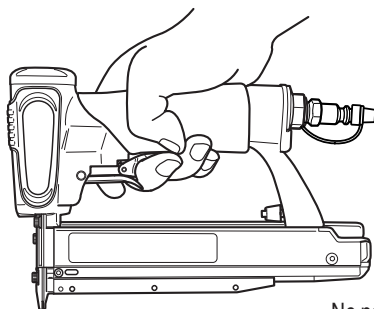
- Ne jamais utiliser le cloueur si le levier de verrouillage ne fonctionne pas correctement.

Avant de commencer le travail proprement dit, faire un essai de clouage en vérifiant les points ci-dessous. Effectuer les essais dans l'ordre indiqué. S'il se produit un fonctionnement anormal, cesser immédiatement d'utiliser le cloueur et contacter un service après-vente agréé Hitachi.

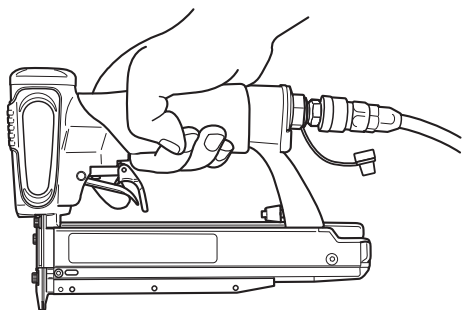
- (1) Debrancher le tuyau d'air du cloueur.
Sortir tous les clous du cloueur.
- Toutes les vis doivent être serrées à fond.
Si certaines vis sont relâchées, les revisser.



- Le levier de verrouillage et la gâchette doivent fonctionner avec souplesse.



- (2) Régler la pression d'air sur 64 psi (4.4 bars 4.5 kgf/cm²).
Raccorder le tuyau d'air.
Ne pas mettre de clous dans le cloueur.
- Le cloueur ne doit pas avoir de fuite d'air.
- Diriger le cloueur vers le bas, sans toucher le levier de verrouillage et tirer sur la gâchette.
- Le cloueur ne doit pas fonctionner.

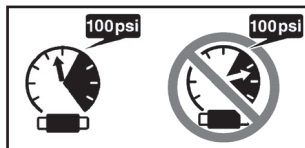


- (3) Si l'on ne remarque aucun fonctionnement anormal, on pourra mettre des clous dans le cloueur. Enfoncer les clous dans un matériau du même type que celui du travail proprement dit.

□ Le cloueur doit fonctionner correctement.

RÉGLAGE DE LA PRESSON D'AIR

⚠ AVERTISSEMENT



- Ne pas dépasser 100 psi (6.9 bars 7 kgf/cm²).

Régler la pression d'air à la pression de travail recommandée de 64 – 100 psi (4.4 – 6.9 bars 4.5 – 7 kgf/cm²) en fonction de la longueur des clous et de la dureté du matériau.

La pression d'air correcte est la pression la plus basse capable d'effectuer le travail. L'utilisation d'une pression d'air supérieure à la pression nécessaire fatiguera inutilement le cloueur.

CHARGEMENT DES CLOUS

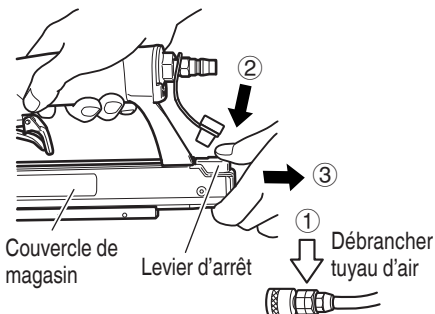
⚠ AVERTISSEMENT

- Lors du chargement des clous dans le cloueur,
 - 1) débrancher le tuyau d'air ;
 - 2) ne pas tirer sur la gâchette, ni sur le levier de verrouillage ; et
 - 3) diriger le cloueur vers le bas.

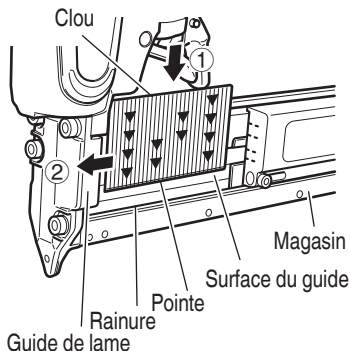
REMARQUE

Utiliser au moins 5 clous connectés.

- (1) Débrancher le tuyau d'air du cloueur.
- (2) Abaisser légèrement le levier d'arrêt.
- (3) Extraire lentement le couvercle du magasin.



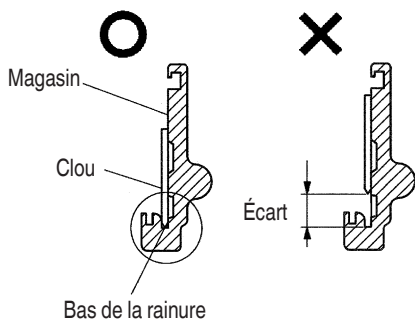
- (2) (1) Placer les clous contre la surface du guide du magasin et insérer la pointe des clous aussi loin que possible dans la rainure sur le magasin.
- (2) Charger les clous manuellement dans le magasin via le guide de lame.



- (3) Pousser le dos du couvercle du magasin vers l'avant et vérifier que les clous ne dépassent pas de la surface du guide du magasin avant de le refermer.

REMARQUE

- Charger les clous avec les pointes tournées vers la rainure sur le magasin.
- Ne pas charger de clous de longueurs différentes.
- Des clous entre 15 et 35 mm de long peuvent être utilisés avec ce cloueur sans aucun réglage, mais quel que soit leur longueur, veiller à ce que les pointes soient insérées aussi loin que possible dans la rainure du magasin.



Le cloueur est maintenant prêt à fonctionner.

UTILISATION DU CLOUEUR

Lire la section intitulée "SECURITE" (pages 21 - 25).

⚠ DANGER



- Les opérateurs et les autres personnes dans l'aire de travail doivent porter des lunettes de protection avec visières latérales respectant les exigences ANSI Z87.1.

Les lunettes ordinaires ne fournissent pas une protection adéquate.

⚠ AVERTISSEMENT



- Seules les personnes qui ont lu et compris ce MANUEL doivent utiliser le cloueur.
- Ne jamais diriger l'outil vers soi ni vers quelqu'un d'autre dans l'aire de travail.

- Maintenir les doigts ÉLOIGNÉS de la gâchette et du levier de verrouillage quand on n'enfonce pas de clous pour éviter un clouage accidentel.
- Connaître et comprendre le système de gâchette utilisé.
Lire et bien assimiler les "Methodes d'utilisation" présentées ci-dessous.
- Ne jamais approcher les mains ni les pieds à moins de 8 pouces (200 mm) de la tête de clouage lors de l'utilisation.

- Ne pas enfoncer de clous sur d'autres clous; les clous pourraient ricocher et blesser quelqu'un.
- Ne pas actionner le cloueur à moins qu'il ne soit placé fermement contre la pièce de travail.
- Pour éviter tout risque d'éjection inadvertente d'un clou du à un bondissement du cloueur,
 - 1) relâcher la gâchette rapidement lorsqu'on effectue un clouage par gâchette.
- Quand on travaille près du bord d'une pièce ou à un angle prononcé, ou quand on enfonce des clous dans une pièce fine, prendre soin de minimiser le déchetage, le fractionnement ou l'éclatement, ou le vol libre, le ricochet ou le perçage des clous, pouvant provoquer des blessures.
- Ne jamais enfoncer de clous des deux côtés d'un mur en même temps. Les clous pourraient traverser le mur et blesser quelqu'un de l'autre côté.
- Ne jamais utiliser le cloueur s'il est défectueux ou qu'il ne fonctionne pas normalement.
- Ne pas se servir du cloueur comme d'un marteau.
- Débrancher le tuyau d'air du cloueur Quand :
 - 1) on ne s'en sert pas;
 - 2) on quitte l'aire de travail;
 - 3) on le soulève ou l'abaisse, ou on le déplace dans un autre endroit;
 - 4) on le passe à quelqu'un d'autre;
 - 5) on effectue tout entretien ou réparation;
 - 6) on retire les clous bloqués;
 - 7) le cloueur n'est pas sous la supervision ou le contrôle de l'opérateur;
 - 8) on retire les clous du chargeur;
 - 9) on règle la profondeur de clouage; et
 - 10) on fixe ou retire le capuchon avant.

METHODES D'UTILISATION

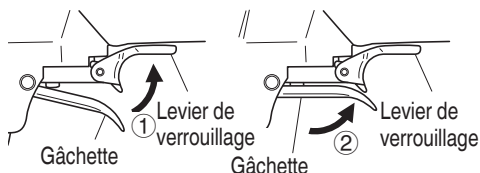
⚠ AVERTISSEMENT

- Après avoir tiré sur le levier de verrouillage, il est possible d'enfoncer les clous en tirant simplement sur la gâchette. Ne toucher la gâchette ni le levier de verrouillage que lorsqu'on enfonce les clous.
- Ne pas enfoncer un clou sur un autre clou.

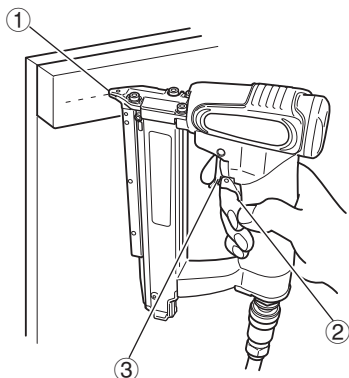
REMARQUE

Le fonctionnement du cloueur peut être perturbé à basse température.

- Utilisation de la gâchette et du levier de verrouillage
Outre la gâchette habituelle, ce cloueur est équipé d'un levier de verrouillage faisant office de dispositif de sécurité. Les clous sont enfoncés en tirant sur le levier de verrouillage, puis sur la gâchette.



- Pour enfoncer les clous
 - Appuyer légèrement la sortie du clou contre la position où l'on souhaite enfoncer le clou.
 - Tirer sur le levier de verrouillage.
 - Tirer sur la gâchette.



RÉGLAGE DE LA PROFONDEUR DE CLOUAGE

⚠ AVERTISSEMENT

- Lors de l'ajustement du bec, s'assurer de retirer son doigt de la gâchette et du levier de verrouillage, et débrancher le tuyau d'air du cloueur.

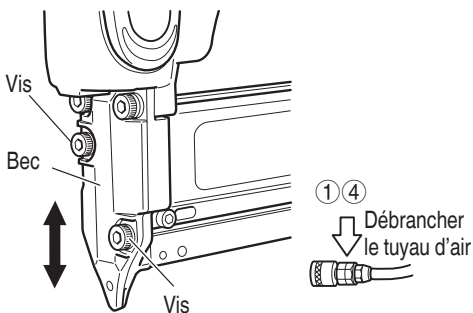
Pour que les agrafes s'enfoncent tous à la même profondeur, s'assurer que:

- la pression d'air du cloueur reste constante (le régulateur est installé et il fonctionne normalement), et

- le cloueur est toujours maintenue fermement contre la pièce;

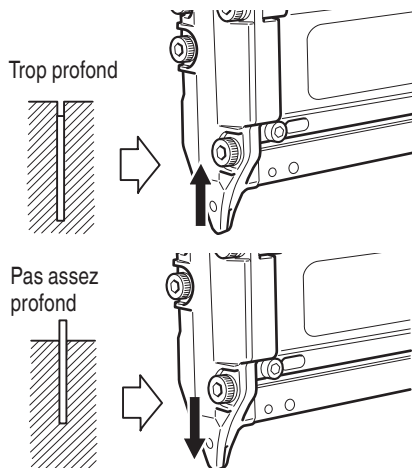
Si les clous sont enfoncés trop loin ou pas assez dans la pièce, régler le clouage dans l'ordre suivant.

- Débrancher le tuyau d'air du cloueur.



- Pour régler la profondeur de clouage, desserrer la vis de bec.

Si le clou doit être cloué profondément, régler le bec sur « haut », et si elle doit être clouée peu profondément, régler le bec sur « bas ».



- Serre la vis pour fixer le bec une fois la position de clouage d'essai adéquate atteinte.
- Brancher le tuyau d'air.
Toujours porter des lunettes de protection. Effectuer un clouage d'essai.
- Débrancher le tuyau d'air du cloueur.
- Sélectionner la position du bec qui convient.

UTILISATION DU CAPUCHON DE BEC

⚠ AVERTISSEMENT

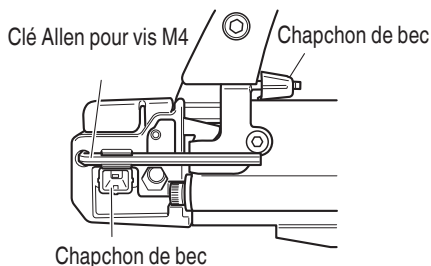
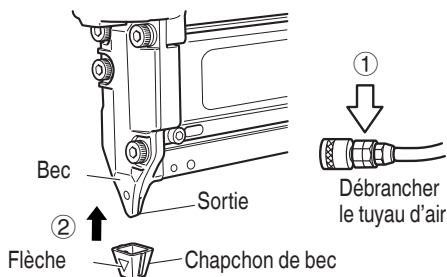
- Lors de la fixation ou du retrait du capuchon de bec, s'assurer de retirer son doigt de la gâchette et du levier de verrouillage, et débrancher le tuyau d'air du cloueur.

Pour protéger la surface de la pièce de toute éraflure et de toutes les marques laissées par le bec, fixer le capuchon de bec sur le bec.

- ① Disancher le tuyau d'air du cloueur.
- ② Fixer le capuchon de bec au bec avec le repère fléché sur le bec tourné vers l'avant.
- ③ Lorsqu'on ne se sert pas du capuchon avant, le ranger dans le compartiment de rangement situé sur le dessous du magasin.

REMARQUE

Du fait de son épaisseur, le capuchon de bec peut réduire la profondeur de clouage. Rerégler la profondeur de clouage.



RETIRER LES CLOUS

⚠ AVERTISSEMENT

- Avant de retirer les clous, bien retirer le doigt de la gâchette et du levier de verrouillage, et débrancher le tuyau d'air.

- (1) Lorsqu'il reste 15 clous ou plus
 - Abaisser le levier d'arrêt et extraire le couvercle du magasin.
 - Retirer les clous du magasin.
- (2) Lorsqu'il reste moins de 15 clous
 - Retirer le bec au moyen de la clé hexagonale de 3 mm placée au dos du magasin.
 - Retirer les clous de la surface du guide de lame. (Voir la section 1 de « ENTRETIEN ET INSPECTION » à la page 34)

REMARQUE

Lorsqu'il reste moins de 15 clous, prendre garde car il est difficile de voir les clous restants dans le guide de lame.

MANIPULATION DES CLOUS

REMARQUE

- Manipuler soigneusement les clous. Si des clous tombent, la connexion peut se rompre. L'utilisation de clous dans ces conditions peut entraîner une mauvaise alimentation et un bourrage.
- Ne pas exposer les clous à l'air extérieur ou aux rayons directs du soleil pendant des périodes prolongées sous peine de les rouiller ou d'altérer la connexion des clous. Conserver les clous non utilisés dans une boîte.

ENTRETIEN

REMARQUE: Les informations contenues dans ce manuel ont pour but d'aider l'opérateur à utiliser le cloueur en toute sécurité.

Certaines des illustrations du manuel peuvent montrer des détails ou des accessoires qui diffèrent de ceux de votre cloueur.

ENTRETIEN ET INSPECTION

Lire la section intitulée "SECURITE" (pages 21 - 25).

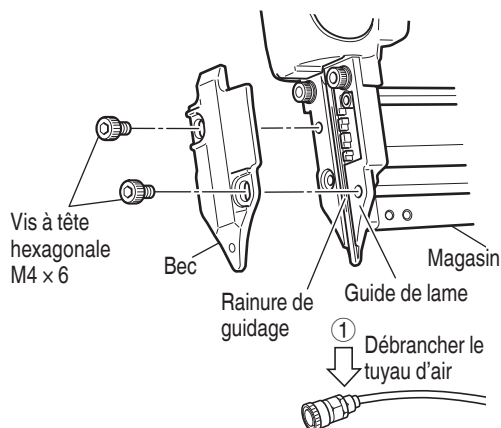
AVERTISSEMENT

- **Débrancher le tuyau d'air, retirer le doigt de la gâchette et du levier de verrouillage, et sortir tous les clous du cloueur quand :**
 - 1) on entretient ou on inspecte le cloueur ; et
 - 2) on retire des clous coincés.

1. Elimination d'un blocage

Retirer un clou bloqué dans l'ordre suivant :

- ① Débrancher le tuyau d'air.
- ② Retirer tous les clous.
- ③ Retirer le bec au moyen de la clé hexagonale placée au dos du magasin.



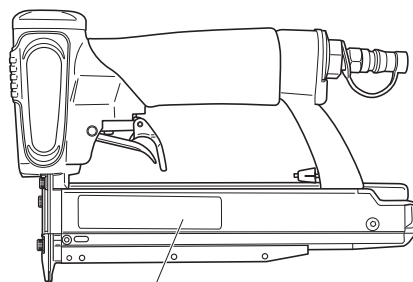
- ④ Retirer le clou coincé avec untournevis pour écrou à fente.
- ⑤ Installer le bec.
- ⑥ Si les clous se coincent fréquemment, contacter un service après-vente Hitachi agréé.

2. Remisage

- Si l'on ne se sert pas du cloueur pendant un certain temps, enduire ses pièces en acier d'une mince couche de graisse pour éviter toute corrosion.
- Ne pas remiser le cloueur dans un environnement froid. Le laisser dans un endroit chaud.
- Lorsqu'on ne se sert pas du cloueur, le remiser dans un endroit chaud et sec.
Le ranger hors de portée des enfants.

3. Etiquette d'avertissement

Ne pas utiliser le cloueur si l'ÉTIQUETTE D'AVERTISSEMENT manque ou est endommagée. Se procurer une nouvelle étiquette d'avertissement auprès d'un service après-vente Hitachi agréé.



Etiquette d'avertissement

4. Tableau d'entretien (page 35)
5. Guide de dépannage de l'opérateur (page 36)
6. Liste des pièces de rechange

ATTENTION

Les réparations, modifications et inspections des outils électriques Hitachi doivent être confiées à un service après-vente Hitachi agréé. Il sera utile de présenter cette liste de pièces au service après-vente Hitachi agréé lorsqu'on apporte un outil nécessitant des réparations ou tout autre entretien.

Lors de l'utilisation et de l'entretien d'un outil électrique, respecter les règlements et les normes de sécurité en vigueur dans le pays en question.

Du fait de l'usure normale, les cloueurs de qualité finissent toujours par avoir besoin d'un entretien ou d'un remplacement de pièce.

MODIFICATIONS

Les outils électriques Hitachi sont constamment améliorés et modifiés afin d'incorporer les tous derniers progrès technologiques.

En conséquence, il est possible que certaines pièces soient modifiées sans avis préalable.

REMARQUE

Les spécifications sont sujettes à modification sans préavis et sans aucune obligation de la part de HITACHI.

ENTRETIEN ET REPARATIONS

AVERTISSEMENT

- **Les réparations du cloueur seront confiées exclusivement au personnel d'entretien formé par Hitachi, au distributeur ou à l'employeur.**
- **Pour les réparations, utiliser exclusivement des pièces fournies ou recommandées par Hitachi.**

Tableau d'entretien

ACTION	POURQUOI	COMMENT
Purger le filtre de la ligne d'air tous les jours.	Eviter l'accumulation d'humidité et de poussière.	Ouvrir le robinet de purge manuel.
Veiller à ce que le lubrificateur soit toujours plein.	Maintenir le cloueur bien graissé.	Remplir d'huile de machine pneumatique Hitachi.
Nettoyer l'élément du filtre et souffler de l'air à travers le filtre dans le sens opposé au flux normal tous les jours.	Eviter le colmatage du filtre par la saleté.	Suivre les instructions du fabricant.
Nettoyer le magasin et le mécanisme de l'alimenteur de clous.	Eviter que les clous ne se coincent.	Nettoyer en soufflant de l'air tous les jours.
Veiller à ce que le levier de verrouillage fonctionne toujours correctement.	Assurer la sécurité de l'opérateur et un fonctionnement efficace du cloueur.	Nettoyer en soufflant de l'air tous les jours.
Graisser le cloueur après l'utilisation.	Rallonger la durée de service du cloueur.	Mettre 5 ou 10 gouttes de graisse dans le cloueur.
Purger le compresseur d'air tous les jours.	Maintenir le cloueur en bon ordre de marche.	Ouvrir le robinet de purge du réservoir du compresseur d'air.

Guide de dépannage de l'opérateur

En suivant le tableau ci-dessous, la plupart des problèmes mineurs pourront être corrigés rapidement et en toute facilité.

Si le problème persiste, contacter un service après-vente Hitachi agréé.

PROBLEME	VERIFICATION	CORRECTION
Le cloueur fonctionne, mais les clous ne s'enfoncent pas.	Vérifier si une agrafe est coincée.	Dégager l'agrafe coincée page 34.
	L'alimenteur des cloueurs est-il endommagé?	Remonter l' alimenteur des cloueurs.
	Le ressort de poussée est-il distendu ou endommagé?	Remplacer le ressort de poussée.
	Vérifier si l'on utilise les bons clous.	Utiliser uniquement les clous recommandés.
Entraînement faible. Cycle lent.	Vérifier la pression d'air.	Augmenter la pression d'air. (Ne pas dépasser 100 psi (6.9 bar 7 kgf/cm ²))
	Vérifier la position du dispositif de réglage de profondeur de clouage.	Refaire le réglage selon les indications de la page 32.
	—————	Utiliser une hile de machine pneumatique Hitachi.
	La lame d'entraînement est-elle usée ?	Contacter Hitachi pour remplacement.
	La joint torique du piston est-il usé ou endommagé?	
Les clous s'enfoncent trop profondément.	Vérifier la pression d'air.	Réduire la pression d'air. (Régler sur 64 – 100 psi (4.4 – 6.9 bar 4.5 – 7 kgf/cm ²))
	Vérifier la position du dispositif de réglage de profondeur de clouages	Refaire le réglage selon les indications de la page 32.
Certaines clous sont sautées. Alimentation intermittente.	Vérifier si l'on utilise les bons clouages.	Utiliser uniquement les clous recommandés.
	L'cloueur d'agrafes est-il endommagé?	Nettoyer et graisser.
	Le ressort de poussée est-il distendu ou endommagé?	Remplacer le ressort de poussée.
	Le joint torique du piston est-il usé ou endommagé?	Contacter Hitachi pour le remplacement.
Des clous se coincent. Les clous enfoncés sont tordus.	Vérifier si l'on utilise les bons clous.	Utiliser uniquement les clous recommandés.
	La lame d'entraînement est-elle usée?	Contacter Hitachi pour le remplacement.
Les clouages fonctionnent bien normalement, mais pas complètement à des vitesses supérieures.	Vérifier la diamètre intérieur du tuyau d'air.	Utiliser un tuyau d'air plus large.

INFORMACIÓN IMPORTANTE



Lea y comprenda el significado de las etiquetas de la herramienta y todas las instrucciones de funcionamiento, las precauciones de seguridad y las advertencias de este manual antes de realizar la operación o el mantenimiento de este clavador.

La negligencia en la observación de las advertencias puede producir la MUERTE o LESIONES DE GRAVEDAD.

La mayoría de los accidentes ocurridos al utilizar o mantener este clavador se deben a la falta de tener en cuenta las normas de seguridad y precauciones básicas. Los accidentes podrán evitarse en muchos casos dándose cuenta de una situación peligrosa antes de que se produzca, y siguiendo fielmente los procedimientos de seguridad apropiados.

Las precauciones básicas de seguridad se describen en la sección "SEGURIDAD" de este manual, y en las secciones que contienen las instrucciones sobre operación y mantenimiento.

Los riesgos que habrá que eludir para evitar lesiones o el daño de la máquina se identifican mediante PELIGRO y ADVERTENCIA en el clavador y en este manual.

No utilice NUNCA este clavador para aplicaciones que no sean las especificadas en este manual.

DEFINICIÓN DE LAS PALABRAS CLAVE

PELIGRO indica una situación inminentemente peligrosa que, si no se evita, puede resultar en lesiones serias o en la muerte.

ADVERTENCIA indica una situación potencialmente peligrosa que, si no se evita, puede resultar en lesiones serias o en la muerte.

PRECAUCIÓN indica una situación potencialmente peligrosa que, si no se evita, puede resultar en lesiones menores, o en el daño de la máquina.

NOTA enfatiza información esencial.

SEGURIDAD

INSTRUCCIONES IMPORTANTES DE SEGURIDAD PARA LA UTILIZACIÓN DEL CLAVADOR

INSTRUCCIONES PARA EVITAR UN RIESGO DE INCENDIO, UNA DESCARGA ELÉCTRICA O LESIONES

● General

Para reducir el riesgo de descarga eléctrica, incendio o lesiones, **LEA TODAS LAS INSTRUCCIONES ANTES DE UTILIZAR LA HERRAMIENTA.**

⚠ PELIGRO

- 1. LOS OPERADORES Y DEMÁS PERSONAS QUE SE ENCUENTREN EN EL ÁREA DE TRABAJO DEBEN USAR PROTECCIÓN PARA LOS OJOS (GAFAS DE SEGURIDAD CON BLINDAJES LATERALES).**



Antes de utilizar el clavador, utilice siempre gafas protectoras con blindajes laterales, y asegúrese de que también sea utilizada por todas las personas que se encuentren en el área de trabajo.

Las gafas protectoras deberán estar de acuerdo con los requisitos del Instituto de Normas Nacionales Americanas, ANSI Z87.1 y proporcionar protección contra las partículas despedidas desde la parte frontal y posterior.

Las gafas ordinarias no brindan una protección adecuada.

El empresario deberá hacer que el operador del clavador y demás personas que se encuentren en el área de trabajo utilicen en todo momento gafas protectoras.

- 2. NO UTILICE GASES REACTIVOS NI OTROS GASES EMBOTELLADOS. PODRÍA PRODUCIRSE UNA EXPLOSIÓN.**



No utilice nunca gases reactivos, como oxígeno, gases combustibles, etc. como fuente de propulsión de este clavador.

La utilización de estos gases, o de otros gases embotellados, es peligrosa, ya que el clavador podría explotar.

Utilice solamente aire comprimido limpio, seco, y regulado.

⚠ ADVERTENCIA

- 3. NO DIRIJA NUNCA LA HERRAMIENTA HACIA SÍ MISMO O HACIA OTRAS PERSONAS DEL ÁREA DE TRABAJO.**



Piense siempre que el clavador puede tener clavos cargados.

No dirija nunca el clavador hacia sí mismo o hacia otras personas, independiente de que contenga o no clavos.

Si utilizase los clavos incorrectamente, podrían producirse lesiones serias.

No juegue nunca con el clavador.

Trate el clavador como herramienta de trabajo.

- 4. NO COLOQUE EL DEDO EN EL GATILLO DOBLE (GATILLO Y PALANCA DE BLOQUEO)**

Y MANTENGA LOS DEDOS ALEJADOS DEL GATILLO DOBLE CUANDO NO CLAVE CLAVOS PARA EVITAR UNA DESCARGA ACCIDENTAL.

No transporte nunca el clavador con el dedo en el gatillo doble, porque podría lanzar un clavo y lesionarse usted mismo o a otra persona.

Transporte siempre el clavador por la empuñadura.

- 5. CONOZCA Y COMPRENDA EL SISTEMA DE CLAVADOR QUE ESTÁ UTILIZANDO.**

Lea y comprenda la sección titulada "MÉTODOS DE OPERACIÓN". (páginas 48 – 49)

- 6. NO REALICE NINGÚN CONTACTO CON EL EXTREMO DE SEGURIDAD (PALANCA DE EMPUJE) CUANDO NO CLAVE.**

SEGURIDAD — Continuación

⚠ ADVERTENCIA

Quando utilice herramientas, deberán tomarse siempre precauciones básicas, incluidas las siguientes:

1. Zona de trabajo

- (1) **Mantenga la zona de trabajo limpia y bien iluminada.**

Los bancos llenos de cosas y las zonas oscuras aumentan el riesgo de descarga eléctrica, incendio y lesiones.

- (2) **No utilice el clavador en atmósferas explosivas, como por ejemplo en presencia de líquidos inflamables, gases inflamables o polvo combustible.**

El clavador puede crear chispas que podrían incendiar el polvo o los gases.

- (3) **Mantenga a los viandantes, los niños y los visitantes alejados mientras utiliza el clavador.**

Las distracciones podrían causar la pérdida de control del clavador.

2. Seguridad personal

- (1) **Permanezca alerta. Céntrese en su trabajo y utilice el sentido común cuando trabaje con el clavador. No utilice el clavador cuando esté cansado, después de haber consumido drogas o alcohol, o mientras esté bajo la influencia de medicamentos.**

Un momento de despiste cuando se utiliza el clavador aumenta el riesgo de lesiones.

- (2) **Utilice ropa adecuada. No utilice ropa suelta o joyas. Recójase el pelo. Mantenga el pelo, la ropa y los guantes alejados de las partes móviles.**

La ropa suelta, las joyas o el pelo largo aumentan el riesgo de lesiones, ya que podrían pillarse con las partes móviles.

- (3) **Evite una puesta en marcha involuntaria. Asegúrese de que el interruptor está apagado antes de conectar el aparato al suministro de aire. No transporte el clavador con el dedo colocado en el interruptor o lo conecte al suministro de aire con el interruptor encendido.**

- (4) **⚠ ADVERTENCIA** – Desconecte el clavador del suministro de aire antes de realizar ajustes, realizar el mantenimiento del clavador, eliminar atascos, fije o quite la tapa del morro, cuando no lo esté usando, al salir del

área de trabajo, al dejar el clavador fuera de la supervisión o el control del operador, al cargar o descargar el clavador, al entregárselo a otra persona, al elevar, bajar o mover en cualquier otra forma el clavador a una nueva ubicación. No trate de desatascar o reparar el clavador salvo que haya desconectado el conducto de aire del clavador y retirado todos los clavos que queden en el mismo. El clavador no deberá dejarse nunca desatendido, ya que podría ser utilizado por personas no familiarizadas con el mismo, pudiéndose lesionar. Dichas medidas de precaución reducen el riesgo de lesiones.

- (5) **No estire el cuerpo. Mantenga los pies bien colocados y el equilibrio en todo momento.** El mantener los pies bien colocados y el equilibrio permite un mayor control del clavador en situaciones inesperadas.
- (6) **Utilice equipo de seguridad.** Deberán utilizarse una máscara para el polvo, zapatos de seguridad anti-deslizamiento y un casco para las condiciones aplicables.

- (7) **⚠ ADVERTENCIA** – Riesgo de pérdida auditiva. Lleve protección auditiva.

La protección auditiva deberá tener una Calificación de reducción de ruido (NRR) determinada de acuerdo con las reglas de la Agencia de Protección Medioambiental de los Estados Unidos que sea adecuada para la exposición al ruido.

- (8) **Utilice siempre protección para la cabeza.**
- (9) **Utilice siempre protección para la cabeza para protegerse de objetos que salgan despedidos.**
- (9) **No coloque la manguera o el clavador en su cuerpo.**

Coloque la manguera en la estructura para reducir el riesgo de pérdida de equilibrio en caso de que la manguera se mueva.

- (10) **⚠ ADVERTENCIA** – Clave clavos solo en una superficie de trabajo adecuada. No clave los clavos en otros clavos. Esto podría hacer que los clavos se desvíen y golpeen a alguna persona, o hagan que el clavador reaccione y provoque lesiones.

SEGURIDAD — Continuación

⚠ ADVERTENCIA

3. Uso y cuidado del clavador

- (1) **Utilice agarraderas u otra forma práctica de fijación y apoye la pieza de trabajo sobre una plataforma estable.**

Sujetar el trabajo con las manos o contra el cuerpo es inestable y podría causar una pérdida de control.

- (2) **No fuerce el clavador.** Utilice el clavador correcto para la aplicación. El clavador correcto hará el trabajo mejor y de forma más segura a la velocidad a la que el clavador está diseñado.

- (3) **No utilice el clavador si el interruptor no enciende o apaga el clavador.** Los clavadores que no pueden controlarse con el interruptor son peligrosos y deberán repararse.

No utilice clavadores defectuosos o que funcionen de forma anormal. Si el clavador funciona de forma anormal, hace ruidos extraños o parece estar defectuoso, deje de utilizarlo inmediatamente y llévelo a un centro de servicio autorizado de Hitachi para su reparación.

- (4) **Desconecte el clavador de la fuente de aire antes de realizar cualquier ajuste, cambiar accesorios o guardar el clavador.** Dichas medidas de seguridad preventivas reducen el riesgo de que el clavador se ponga en marcha involuntariamente.

- (5) **Guarde el clavador fuera del alcance de los niños y de las personas no capacitadas para su uso cuando no se utilice.** Los clavadores son peligrosos en manos de usuarios no capacitados.

- (6) **Mantenga el clavador con cuidado.** Mantenga el clavador limpio y lubricado para un funcionamiento mejor y más seguro.

- (7) **Verifique el fallo de alineación o de unión de las partes móviles, la rotura de las partes y otras condiciones que puedan afectar a la operación del clavador.**

Si el clavador está dañado, llévelo a reparar antes de utilizarlo. Debido a la alta presión de aire en el clavador, las grietas en la superficie son peligrosas. Para evitarlo, no deje que se caiga el clavador ni lo golpee contra superficies duras, y no arañe o haga grabaciones en el mismo. Muchos accidentes se producen por un mantenimiento incorrecto de los clavadores. Existe riesgo de explosión si el clavador está dañado.

- (8) **No utilice el clavador si no está en orden de operación adecuado.** Etiquetas y divisiones físicas deberán ser usadas para el control.

- (9) **Utilice solo accesorios identificados por Hitachi para el clavador específico.** El uso de accesorios con el clavador no previstos aumenta el riesgo de lesiones.

- (10) **Utilice solo los clavos indicados en la sección Accesorios de este manual.** Los clavos que Hitachi no identifique para su utilización con este clavador podrían producir un riesgo de lesiones o podrían dañar el clavador cuando se utilicen en el mismo.

4. Mantenimiento

- (1) **El mantenimiento de la herramienta deberá ser realizado sólo por personal de reparación cualificado.**

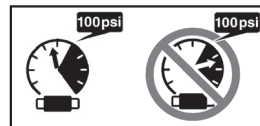
- (2) **Cuando realice el mantenimiento de un clavador, utilice sólo piezas de repuesto idénticas. Utilice solo piezas autorizadas.**

- (3) **Utilice solo los lubricantes suministrados con el clavador o especificados por Hitachi.**

5. Fuente de aire

- (1) **No realice la conexión nunca a una fuente de aire que pueda superar 200 psi (13.7 bar 14 kgf/cm²) si un regulador falla.**

El exceso de presión en el clavador podría provocar una explosión, un funcionamiento anormal, una rotura del clavador o lesiones graves.



NO SUPERE 100 psi (6.9 bars 7 kgf/cm²).

Utilice solo aire comprimido limpio, seco y regulado a la presión nominal o dentro del rango de presión nominal tal como se indique en el clavador.

Antes de utilizar el clavador, compruebe siempre que la fuente de aire se ha ajustado a la presión de aire nominal o dentro del rango aire-presión nominal.

- (2) **No utilice nunca gases reactivos, como oxígeno, dióxido de carbono, gases combustibles o botellas de gas como fuente de aire para el clavador.** Dichos gases podrían explotar y producir lesiones graves.

SEGURIDAD — Continuación

⚠ ADVERTENCIA

6. Otros

(1) Tenga cuidado con el rechazo no deseado y con ser golpeado por el clavador debido al retroceso.

Luego de clavar un clavo, el clavador podría retroceder causando que se aleje de la superficie de trabajo.

Para reducir el riesgo de lesión, controle el retroceso:

- 1) Manteniendo siempre el control del clavador.
- 2) Permitiendo que el retroceso aleje el clavador de la superficie de trabajo.
- 3) No resistiéndose al retroceso de forma que el clavador se fuerce de nuevo hacia la superficie de trabajo.
- 4) jalando el gatillo rápida y firmemente, y soltándolo RÁPIDAMENTE.
- 5) Manteniendo la cara y las partes del cuerpo alejadas del clavador.

(2) No utilice nunca un acoplador sin descarga con el clavador. Si utiliza un acoplador sin descarga en el clavador, éste podría permanecer cargado con aire después de haberlo desconectado y, por lo tanto, disparar un clavo incluso después de haberlo desconectado. El clavador y la manguera de aire deben contar con un acople de manguera, de manera que se pueda remover toda la presión del clavador al desconectar la junta de acoplamiento.

(3) Compruebe el gatillo doble antes de la utilización.

El clavador no funcionará si no tira de la palanca de bloqueo antes de accionar el gatillo.

Cerciórese de que la palanca de bloqueo funcione adecuadamente y de que no está inutilizada, desconectada o modificada. (La palanca de bloqueo puede denominarse "Seguridad".) No utilice nunca el clavador a menos que la palanca de bloqueo funcione adecuadamente, ya que de lo contrario el clavador podría disparar inesperadamente un clavo. No cambie ni quite la palanca de bloqueo, ya que de lo contrario la palanca de bloqueo se volverá inoperable.

Con el clavador vacío, conecte la manguera de aire y compruebe lo siguiente:

- Que no se oiga ningún ruido procedente del pistón que hay dentro del clavador al accionar el gatillo sin tirar primero de la palanca de bloqueo.

Si se usa el clavador cuando no funcione normalmente, se pueden producir lesiones. Si se produce cualquier problema, póngase en contacto con la tienda donde adquirió el clavador o con el centro de asistencia autorizado más cercano de Hitachi y solicite su reparación.

(4) Mantenga todos los tornillos y cubiertas bien apretados en su lugar. Mantenga todos los tornillos y cubiertas firmemente apretados. Compruebe periódicamente su condición.

No utilice nunca el clavador si hay piezas perdidas o dañadas.

(5) No cargue clavos con el gatillo o la palanca de bloqueo accionados. Cuando cargue clavos en el clavador, o cuando conecte la manguera de aire:

- 1) no accione el gatillo;
- 2) no tire de la palanca de bloqueo; ni
- 3) mantenga el clavador apuntando hacia abajo.

(6) Mantenga las manos y el cuerpo alejados del cabezal de disparo durante su uso. No coloque las manos ni los pies a menos de 6 pulgadas (200 mm) de la cabeza de salida de clavos. Si la pieza de trabajo desvía los clavos o si éstos salen del punto de introducción puede sufrir lesiones serias.

(7) Cuando trabaje cerca del borde de una pieza de trabajo o en ángulos muy agudos, o al clavar clavos en una pieza de trabajo fina, tenga cuidado para minimizar la aparición de virutas, astillas y divisiones, o el vuelo libre, el rebote o la perforación de los clavos, ya que podrían causar lesiones.

(8) No clave nunca clavos desde ambos lados de una pared al mismo tiempo. Los clavos podrían traspasar el panel y lesionar a la persona que se encuentra en el lado opuesto.

(9) Tenga cuidado adicional cuando clave clavos con el clavador en paredes existentes y otras áreas ciegas, para evitar el contacto con objetos (p. ej. cables, tuberías, etc.) o personas ocultas que se encuentren en el otro lado.

(10) Compruebe si hay cables activos. Evite el riesgo de descargas eléctricas comprobando si hay cables activos escondidos en paredes, suelos o techos. Abra el disyuntor para asegurarse de que no quedan cables activos.

(11) No levante, tire del clavador ni lo baje jalando de la manguera.

SEGURIDAD — Continuación

ADVERTENCIA

- (12) **No desconecte la manguera de aire del clavador con el dedo puesto en el gatillo.** El clavador podría disparar un clavo cuando reconectase el suministro de aire.
- (13) **MANEJE CORRECTAMENTE EL CLAVADOR.** Maneje el clavador de acuerdo con las instrucciones de este manual. No permita que el clavador sea utilizado por niños, personal no autorizado o personas que no estén familiarizadas con su funcionamiento.
- (14) **No utilice nunca el clavador para aplicaciones que no sean las especificadas en este manual.**
- (15) **No modifique ni altere nunca el clavador.** Si lo hiciera podría funcionar mal y provocar lesiones.

RESPONSABILIDADES DEL EMPLEADOR, EL PROPIETARIO DE LA HERRAMIENTA Y EL OPERADOR DE LA HERRAMIENTA

1. Asegúrese de que este MANUAL esté al alcance de los operadores y del personal de mantenimiento.
2. Capacite al operador en el uso seguro del clavador, como se describe en este MANUAL.
3. Asegúrese de que solo las personas que hayan leído y comprenden este MANUAL utilizan el clavador.
4. Asegúrese de que los clavadores son usados únicamente cuando los operadores y otras personas que se encuentran en el área de trabajo llevan PROTECCIÓN OCULAR y otro equipo de protección personal apropiado, como PROTECCIÓN DE CABEZA, OÍDOS Y PIES.
5. Recalque que el operador y las demás personas que se encuentren en el área de trabajo necesitan utilizar GAFAS PROTECTORAS PARA LOS OJOS.
6. Asegúrese de que los clavos son conservados en estado de operación seguro según se describe en este MANUAL.
7. Mantenga adecuadamente el clavador.
8. Asegúrese de que solo el personal cualificado repara el clavador.
9. Asegúrese de que los clavadores que requieren reparación se remueven del servicio, y de que son utilizadas etiquetas y división física como método de control.

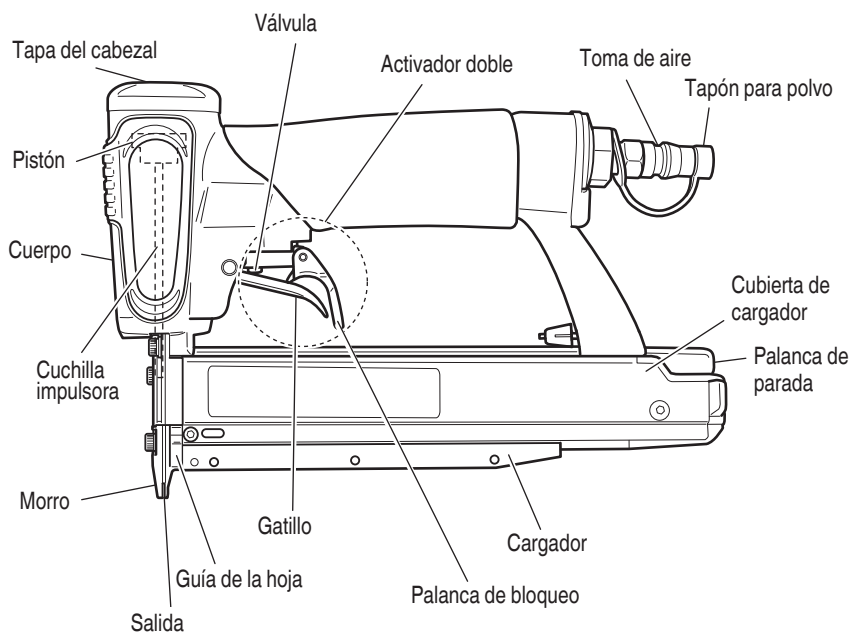
**¡GUARDE ESTE MANUAL
AL ALCANCE DE CUALQUIERA!**

OPERACIÓN

NOTA: La información contenida en este manual ha sido diseñada para ayudarle a utilizar con seguridad este clavador.

Algunas de las ilustraciones de este manual pueden mostrar detalles o accesorios diferentes a los de su propio clavador.

NOMENCLATURA



ESPECIFICACIONES

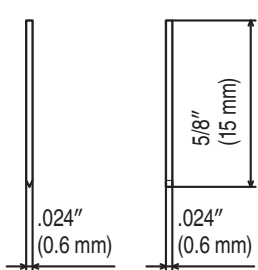
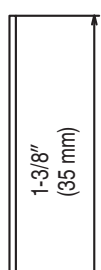
Presión de operación	64 – 100 psi (4.4 – 6.9 barías 4.5 – 7 kgf/cm ²)
Dimensiones Longitud x Altura x Anchura	9-3/8" x 6-3/8" x 1-27/32" (238 mm x 162 mm x 47 mm)
Peso	2.0 libras (0.9 kg)
Capacidad de clavos	100 clavos
Consumo de aire	.018 ft ³ /ciclo a 100 psi (.5 ltr/ciclo a 6.9 barías) (.5 ltr/ciclo a 7 kgf/cm ²)
Entrada de aire	Rosca 1/4 NPT

SELECCIÓN DE CLAVOS

⚠ ADVERTENCIA

- Asegúrese de usar únicamente clavos legítimos Hitachi para el NP35A. El uso de otros clavos puede producir un fallo de funcionamiento de la herramienta y/o la rotura del clavo, lo que provocaría a su vez lesiones de gravedad.

Con este clavador solamente podrán utilizarse los clavos indicados en la tabla siguiente.

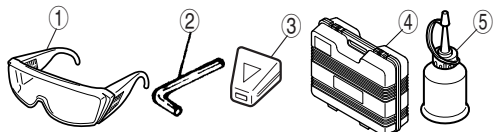
Clavos pequeños de calibre 23	
Mín.	Máx.
 <p>.024" (0.6 mm)</p> <p>.024" (0.6 mm)</p> <p>5/8" (15 mm)</p>	 <p>1-3/8" (35 mm)</p>

ACCESORIOS

⚠ ADVERTENCIA

- Los accesorios que no sean los mostrados a continuación pueden provocar el mal funcionamiento del clavador y resultar en lesiones.

ACCESORIOS ESTÁNDAR



①	Gafas protectoras para los ojos	1
②	Llave Allen para tornillos M4	1
③	Tapa para el morro (A)	2
④	Estuche	1
⑤	Aceite lubricante	1

ACCESORIOS OPCIONALES ... vendido a parte

- Lubricante para herramientas neumáticas
Aceitador de 1 onzas (30 cc) (Núm. de código 877153)
Aceitador de 4 onzas (120 cc) (Núm. de código 874042)
Lata de 1 cuarto de galón (1 litro) (Núm. de código 876212)

NOTA

Los accesorios están sujetos a cambios sin ninguna obligación por parte de Hitachi.

APLICACIONES

- Instalación de madera contrachapada decorada, como rodapiés y ribetes en interiores de edificios.

ANTES DE LA OPERACIÓN

Lea la sección titulada "SEGURIDAD" (páginas 38 - 42).

Antes de la utilización, cerciórese de lo siguiente.

ENTORNO DE TRABAJO

⚠ ADVERTENCIA

- En el lugar de trabajo no deberá haber gases, líquidos, ni demás objetos inflamables.
- No permita que en el área de trabajo haya niños ni demás personas no autorizadas.

SUMINISTRO DE AIRE

⚠ PELIGRO

- No utilice gases reactivos ni otros gases embotellados. Podría producirse una explosión.

⚠ ADVERTENCIA

- No conecte nunca el clavador a una presión que pueda sobrepasar potencialmente 200 psi (13.7 bares 14 kgf/cm²) si un regulador falla.
- No utilice nunca un acoplador sin descarga con el clavador.

1. Fuente de propulsión

- Utilice solamente aire comprimido limpio, seco, y regulado como fuente de propulsión para este clavador.
- Los compresores de aire para suministrar aire comprimido a este clavador deberán cumplir los requisitos de la última versión de la norma B 19.3 ANSI "Normas de Seguridad para Compresores para Industrias de Procesos".
- La humedad o el aceite en el compresor de aire puede acelerar el desgaste y la corrosión del clavador. Drénelo diariamente.

2. Filtro-Regulador-Lubricador

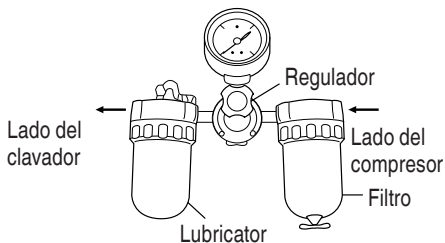
- Utilice un regulador con una presión de 0 – 100 psi (0 – 6.9 barías 0 – 7 kgf/cm²).
- Las unidades de filtro-regulador-lubricador ofrecen la condición óptima para el clavador y prolongan su duración útil.

Estas unidades deberán utilizarse siempre.

Filtro.....El filtro elimina la humedad y la suciedad del aire comprimido. Drene diariamente el clavador a menos que tenga instalado un dispositivo de drenado automático. Mantenga limpio el filtro realizando regularmente su mantenimiento.

Regulador.....El regulador controla la presión de operación para poder utilizar con seguridad el clavador. Inspeccione el regulador antes de la operación a fin de asegurarse de que funcione adecuadamente.

Lubricador.....El lubricador rocía aceite al clavador. Inspeccione el lubricador antes de utilizarlo para comprobar si el suministro de lubricante es adecuado. Utilice lubricante para herramientas neumáticas Hitachi.



3. Manguera de aire

Las mangueras de suministro de aire comprimido deben tener una presión operativa mínima igual o mayor que la presión procedente de la fuente de potencia si un regulador falla, o 150 psi (10.4 bares 10.6 kgf/cm²), el valor que sea mayor.

4. Consumo de aire

Utilizando la tabla de consumo de aire y la fórmula de tamaño del compresor de aire, busque el tamaño de compresor correcto.

Tabla de consumo de aire

	psi	80	90	100
Presión de operación	(barías)	(5.5)	(6.2)	(6.9)
	(kgf/cm ²)	(5.6)	(6.3)	(7)
Consumo de aire	pies ³ /ciclo	.011	.015	.018
	(litros/ciclo)	(.3)	(.4)	(.5)

Fórmula de tamaño del compresor

Cantidad de aire requerida

= número de clavadores

× promedio de clavos clavados cada minuto por clavador

× consumo de aire a la presión dada

× factor de seguridad (siempre 1.2)

Ejemplo: 3 clavadores funcionando a 100 psi para clavar 30 clavos por minuto

Cantidad de aire requerida

= 3 × 30 × .018 (.5) × 1.2

= 1.9 CFM (pies³/min) (94 litros/min)

Después de haber realizado los cálculos indicados arriba, tendrá que buscar un compresor que proporcione 1.9 CFM de aire, que es el valor requerido.

LUBRICACIÓN

Es muy importante que el clavador esté adecuadamente lubricado. Sin la lubricación apropiada, el clavador no trabajará correctamente y las piezas se desgastarán prematuramente.

- Utilice lubricante para herramientas neumáticas Hitachi.

No utilice aceite detergente ni aditivos. Estos lubricantes dañarían las juntas tóricas y demás piezas de caucho. Esto haría que el clavador funcionase mal.

- Habrá que utilizar siempre unidades de filtro-regulador-lubricador. Mantenga el lubricador lleno con lubricante para herramientas neumáticas Hitachi.

- Si no dispone de lubricador, aplique 5 – 10 gotas de lubricante para herramientas neumáticas Hitachi a la entrada de aire del clavador dos veces al día.

CUIDADOS PARA CLIMAS FRÍOS

- No guarde el clavador en un lugar frío. Déjelo en un lugar cálido antes de comenzar a trabajar.
- Si el clavador está frío, póngalo en un lugar cálido y deje que se caliente antes de utilizarlo.
 - ① Reduzca la presión de aire a 64 psi (4.4 barías 4.5 kgf/cm²).
 - ② Quite todas los clavos del clavador.
 - ③ Conecte la manguera de aire y dispare (disparo en vacío) el clavador.
La reducción de la presión de aire será suficiente para disparar en vacío el clavador.
La operación a baja velocidad tiende a calentar las partes móviles.

⚠ PRECAUCIÓN

- No dispare en vacío el clavador a alta presión.

PRUEBA DEL CLAVADOR

⚠ PELIGRO



- Los operadores y demás personas que se encuentren en el área de trabajo deben usar gafas protectoras con blindajes laterales que cumplan con las especificaciones ANSI Z87.1.

Las gafas ordinarias no brindan una protección adecuada.

⚠ ADVERTENCIA

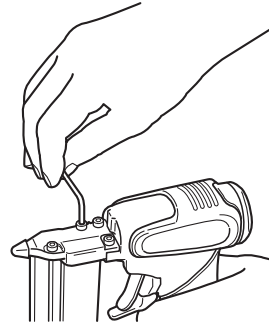
- No utilice nunca el clavador a menos que la palanca de bloqueo funcione adecuadamente.

Antes de comenzar el trabajo, pruebe el clavador utilizando la lista de comprobaciones siguiente. Realice las comprobaciones en el orden indicado.

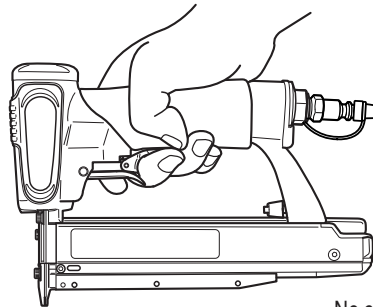
Si se produce alguna operación anormal, deje de utilizar el clavador y póngase inmediatamente en contacto con un centro de reparaciones autorizado por Hitachi.

- (1) Desconecte la manguera de aire del clavador. Quite todas las puntas del clavador.

- Todos los tornillos deberán estar apretados. Si hay algún tornillo flojo, apriételo.



- La palanca de bloqueo y el gatillo deben poder accionarse sin dificultad.]



No conecte la manguera de aire

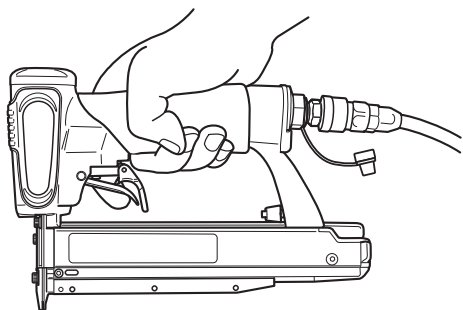
- (2) Ajuste la presión del aire a 64 psi (4.4 barías 4.5 kgf/cm²).

Conecte la manguera de aire. No cargue clavos en el clavador.

- El clavador no deberá tener fugas de aire.

Sujete el clavador hacia abajo, sin tocar la palanca de bloqueo y accione el gatillo.

- El clavador no deberá funcionar.



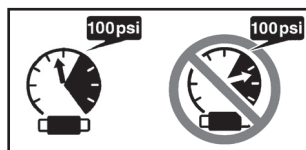
(3) Si no observa nada anormal, cargue clavos en el clavador.

Clave en la pieza de trabajo los mismos clavos que vaya a utilizar en la aplicación real.

□ El clavador deberá funcionar adecuadamente.

AJUSTE DE LA PRESIÓN DE AIRE

⚠ ADVERTENCIA



● No sobrepase 100 psi (6.9 barías 7 kgf/cm²).

Ajuste la presión del aire al valor recomendado, 64 – 100 psi (4.4 – 6.9 barías 4.5 – 7 kgf/cm²) de acuerdo con la longitud de las puntas y la dureza de la pieza de trabajo. La presión de aire correcta es la más baja con la que pueda realizarse el trabajo. La utilización del clavador con una presión de aire más alta de la requerida lo forzarán innecesariamente.

CARGA DE CLAVOS

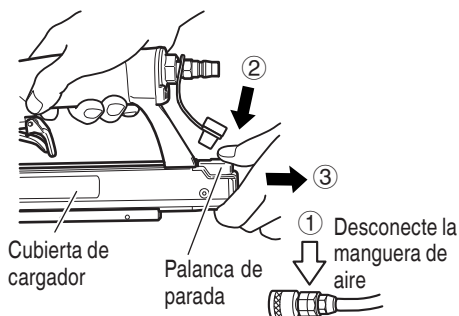
⚠ ADVERTENCIA

- Cuando cargue los clavos en el clavador:
 - 1) desconecte la manguera de aire
 - 2) no accione el gatillo ni la palanca de bloqueo; y
 - 3) mantenga el clavador apuntando hacia abajo.

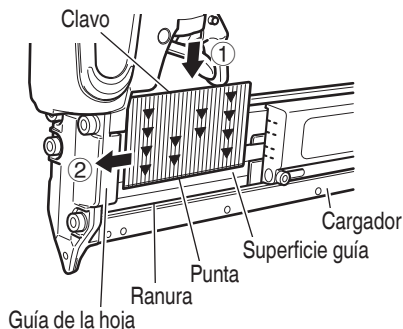
NOTA

Utilice 5 o más clavos conectados.

- (1) ① Desconecte la manguera de aire del clavador.
- (2) ② Presione ligeramente la palanca de parada.
- (3) ③ Retire lentamente la tapa del cargador.



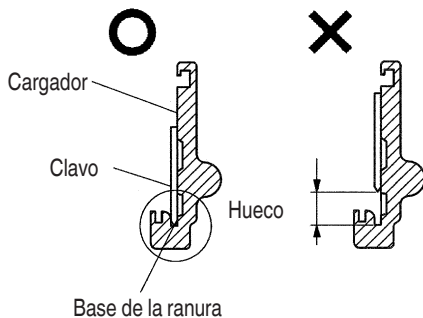
- (2) ① Coloque los clavos contra la superficie guía del cargador e inserte las puntas de los clavos todo lo posible en la ranura del cargador.
- ② Inserte los clavos en el cargador a través de la guía de la hoja con los dedos.



- (3) ③ Empuje la extremo posterior de la tapa del cargador hacia delante y compruebe que los clavos no sobresalen de la superficie guía del cargador antes de cerrar el cargador.

NOTA

- Cargue los clavos con las puntas mirando hacia la ranura del cargador.
- No cargue clavos de distintas longitudes.
- Los clavos que midan entre 15 mm y 35 mm de largo se pueden usar en este clavador sin realizar ningún ajuste, pero, sea cual sea su longitud, debe asegurarse de que las puntas de los clavos se inserten lo más posible en la ranura del cargador.



El clavador habrá quedado listo para funcionar.

OPERACIÓN DEL CLAVADOR

Lea la sección titulada “SEGURIDAD” (páginas 38 – 42).

⚠ PELIGRO



- Los operadores y demás personas que se encuentren en el área de trabajo deben usar gafas protectoras con blindajes laterales que cumplan con las especificaciones ANSI Z87.1.

Las gafas ordinarias no brindan una protección adecuada.

⚠ ADVERTENCIA



- Solo las personas que hayan leído y comprenden este MANUAL pueden utilizar el clavador.

- No dirija nunca la herramienta hacia sí mismo o hacia otras personas del área de trabajo.
- Mantenga los dedos ALEJADOS del gatillo y la palanca de bloqueo cuando no clave clavos, para evitar descargas accidentales.
- Conozca y comprenda el sistema de clavador que está utilizando.
Por favor, lea y comprenda la sección “Métodos de operación” incluida más abajo.
- Nunca coloque las manos o el cuerpo a menos de 8 pulgadas (200 mm) del cabezal de disparo cuando lo use.

- No clave clavos en otros clavos, los clavos pueden rebotar y herir a alguien.
- No accione el clavador a menos que esté firmemente colocado contra la pieza de trabajo.
- Para evitar el doble disparo o la expulsión inesperada de un clavo debido al rebote del clavador.
 - 1) suelte el gatillo rápidamente después del disparo.
- Cuando trabaje cerca del borde de una pieza de trabajo o en ángulos muy agudos, o al clavar clavos en una pieza de trabajo fina, tenga cuidado para minimizar la aparición de virutas, astillas y divisiones, o el vuelo libre, el rebote o la perforación de los clavos, ya que podrían causar lesiones.
- No clave nunca clavos desde ambos lados de una pared al mismo tiempo. Los clavos podrían traspasar la pared y lesionar a la persona de la otra parte.
- No utilice nunca un clavador defectuoso o que funcione anormalmente.
- No utilice el clavador a modo de martillo normal.
- Desconecte la manguera de aire del clavador cuando:
 - 1) no vaya a utilizarlo;
 - 2) vaya a abandonar el área de trabajo;
 - 3) lo eleve, lo descienda o de otra manera vaya a trasladarlo a otro lugar;
 - 4) vaya a entregárselo a otra persona;
 - 5) realice mantenimientos o reparaciones;
 - 6) desatasque el clavador;
 - 7) el clavador está fuera de la supervisión o el control del operador;
 - 8) remueve clavos del cartucho;
 - 9) ajuste la profundidad de clavamiento; y
 - 10) acople o quite el tapón del pico.

MÉTODOS DE OPERACIÓN

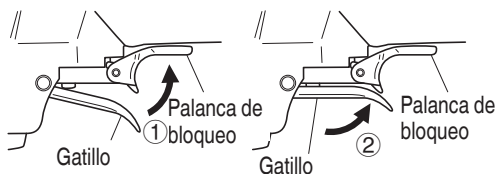
⚠ ADVERTENCIA

- Una vez que se ha tirado de la palanca de bloqueo, los clavos se pueden clavar accionando el gatillo. No toque el gatillo ni la palanca de bloqueo si no va a clavar clavos.
- No clave un clavo encima de otro.

NOTA

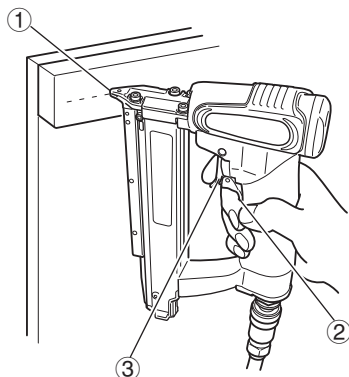
Cuando utilice el clavador a bajas temperaturas, el funcionamiento puede verse afectado.

1. Uso del gatillo y la palanca de bloqueo
Además de usar el gatillo habitual, el clavador está equipado con una palanca de bloqueo que actúa como un dispositivo de seguridad. Los clavos se clavan tirando de la palanca de bloqueo y accionando el gatillo.



2. Cómo clavar clavos

- ① Coloque la salida del clavo sobre el lugar donde desee clavar el clavo y presione ligeramente.
- ② Tire de la palanca de bloqueo.
- ③ Accione el gatillo.



AJUSTE DE LA PROFUNDIDAD DE CLAVADO

⚠ ADVERTENCIA

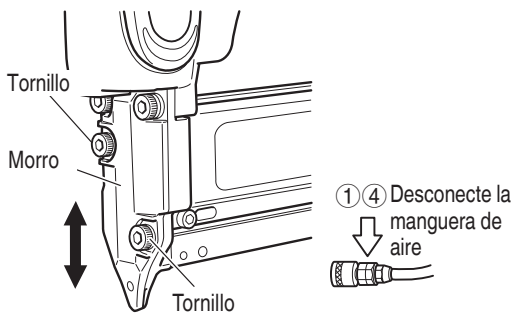
- Al efectuar el ajuste del morro, asegúrese de retirar su dedo del gatillo y de la palanca de bloqueo, y de desconectar la manguera de aire del clavador.

Para asegurar que cada clavo penetre con la misma profundidad, cerciórese de que:

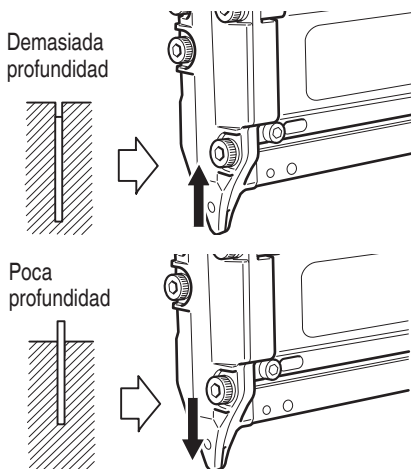
- 1) la presión de aire suministrada al clavador permanezca constante (regulador instalado y trabajando adecuadamente), y
- 2) esté sujetando firmemente el clavador contra la pieza de trabajo.

Si los clavos penetran demasiado o demasiado poco en la pieza de trabajo, realice el ajuste del clavador en el orden siguiente.

- ① Desconecte la manguera de aire del clavador.



- ② Para ajustar la profundidad de penetración del clavador, afloje el tornillo que asegura el morro. Para introducir el clavo profundamente, ajuste el morro a "up" (arriba), y para introducirla superficialmente, ajuste a "down" (abajo).



- ③ Apriete el tornillo que sujeta el morro cuando se alcance la posición adecuada para una prueba de clavo.
- ④ Conecte la manguera de aire. Utilice siempre gafas protectoras para los ojos. Realice una prueba de clavo.
- ⑤ Desconecte la manguera de aire del clavador.
- ⑥ Elija la posición adecuada para ajustar el morro.

UTILIZACIÓN DE LA TAPA PARA EL MORRO

⚠ ADVERTENCIA

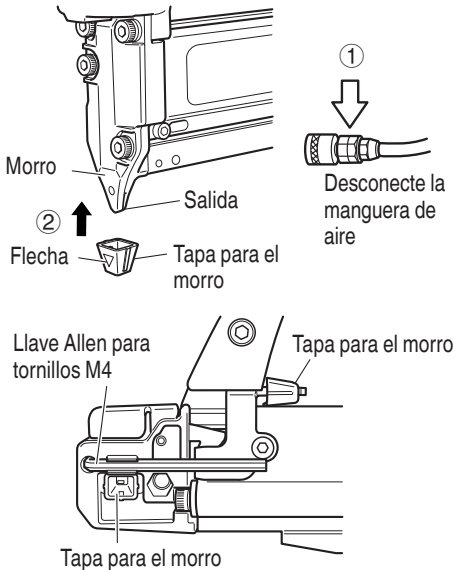
- Al fijar o remover la tapa del morro, asegúrese de retirar su dedo del gatillo y de la palanca de bloqueo, y de desconectar la manguera de aire del clavador.

Si desea proteger la superficie de la pieza de trabajo contra rascaduras o marcas del morro, instale la tapa para el morro accesoria en el morro.

- ① Desconecte la manguera de aire del clavador.
- ② Fije la tapa del morro al morro con la marca de flecha de la tapa mirando hacia delante.
- ③ Si no se utiliza la tapa de la nariz, asegúrela en el compartimiento provisto en el lado trasero del cargador.

NOTA

La tapa para el morro puede reducir la profundidad de penetración de los clavos debido a su grosor. Cuando haya instalado la tapa, reajuste la profundidad de penetración de los clavos.



EXTRAIGA LOS CLAVOS

⚠ ADVERTENCIA

- Antes de quitar los clavos, asegúrese de retirar el dedo del gatillo y de la palanca de bloqueo, y de desconectar la manguera de aire.

- (1) Cuando queden 15 clavos o más
 - Presione la palanca de parada y quite la tapa del cargador.
 - Saque los clavos del cargador.
 - (2) Cuando queden menos de 15 clavos
 - Retire el morro con la llave Allen de 3 mm que se encuentra en el extremo posterior del cargador.
 - Extraiga los clavos de la superficie guía de la guía de la hoja.
- (Consulte la sección 1 de "MANTENIMIENTO E INSPECCIÓN" en la página 51)

NOTA

Cuando queden menos de 15 clavos, tenga cuidado, porque es difícil ver los clavos que quedan en la guía de la hoja.

MANEJO DE LOS CLAVOS

NOTA

- Maneje los clavos con cuidado. Si se caen los clavos, la conexión puede romperse. El uso de clavos en este estado puede causar problemas y atascos.
- No deje los clavos a la intemperie ni expuestos a la luz solar directa durante largos periodos de tiempo, ya que pueden oxidarse o perder la conexión. Cuando no los utilice, mantenga los clavos en la caja.

MANTENIMIENTO

NOTA: La información contenida en este manual ha sido diseñada para ayudarle a mantener con seguridad este clavador.

Algunas ilustraciones de este manual pueden mostrar detalles o dispositivos diferentes a los de su propio clavador.

MANTENIMIENTO E INSPECCIÓN

Lea la sección titulada “SEGURIDAD” (páginas 38 - 42).

⚠ ADVERTENCIA

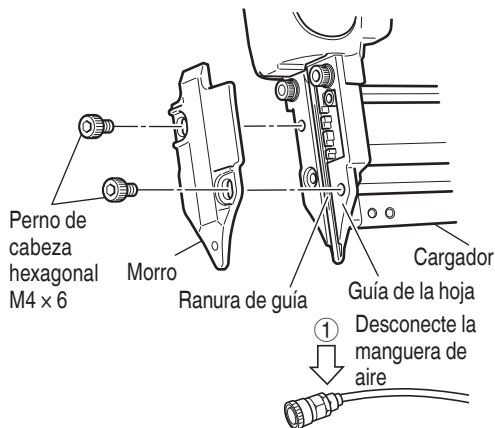
- **Desconecte la manguera de aire, quite el dedo del gatillo y de la palanca de bloqueo, y extraiga todos los clavos del clavador antes de:**

- 1) realizar trabajos de mantenimiento e inspección, y
- 2) desatascar el clavador.

1. Desatascado

Desatasque los clavos en el orden siguiente:

- ① Desconecte la manguera de aire.
- ② Extraiga todos los clavos.
- ③ Quite el morro con la llave Allen que se encuentra en la parte posterior del cargador.



- ④ Extraiga el clavo atascado con un destornillador de clavo plana.
- ⑤ Instale el morro.

- ⑥ En caso de atasco frecuente, póngase en contacto con un centro de servicio autorizado por Hitachi.

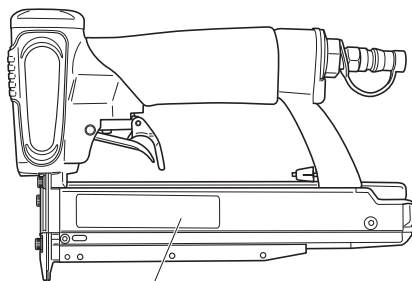
2. Almacenamiento

- Cuando no vaya a utilizar el clavador durante mucho tiempo, aplique una capa fina de lubricante a las piezas de acero para evitar que se oxiden.
- No guarde el clavador en un lugar frío. Guarde el clavador en un lugar cálido.
- Cuando no vaya a utilizar el clavador, deberá guardarlo en un lugar cálido y fresco. Mantenga el clavador fuera del alcance de los niños.

3. Etiqueta de precaución

No utilice el clavador si la ETIQUETA DE ADVERTENCIA falta o está dañada.

Solicite la nueva etiqueta de precaución a un centro de reparaciones autorizado por Hitachi.



Etiqueta de precaución

4. Tabla de mantenimiento (página 52)
5. Solución de problemas por parte del operador (página 53)
6. Lista de repuestos

⚠ PRECAUCIÓN

La reparación, modificación e inspección de las herramientas eléctricas Hitachi deben ser realizadas por un Centro de Servicio Autorizado de Hitachi.

Esta lista de repuestos será de utilidad si es presentada junto con la herramienta al Centro de Servicio Autorizado de Hitachi para solicitar la reparación o cualquier otro tipo de mantenimiento.

En el manejo y el mantenimiento de las herramientas eléctricas, se deberán observar las normas y reglamentos vigentes en cada país.

MODIFICACIONES

Hitachi Power Tools introduce constantemente mejoras y modificaciones para incorporar los últimos avances tecnológicos.

Por consiguiente, algunas partes pueden ser modificadas sin previo aviso.

SERVICIO Y REPARACIONES

ADVERTENCIA

- Este clavador solamente deberá repararlo personal entrenado por Hitachi, un distribuidor, o el empresario.
- Para la reparación, utilice solamente las piezas suministradas o recomendadas por Hitachi.

Todos los clavadores de calidad requerirán el servicio de mantenimiento o de reemplazo de piezas debido al desgaste con la utilización normal.

NOTA

Las especificaciones están sujetas a cambio sin previo aviso sin ninguna obligación por parte de Hitachi.

Tabla de mantenimiento

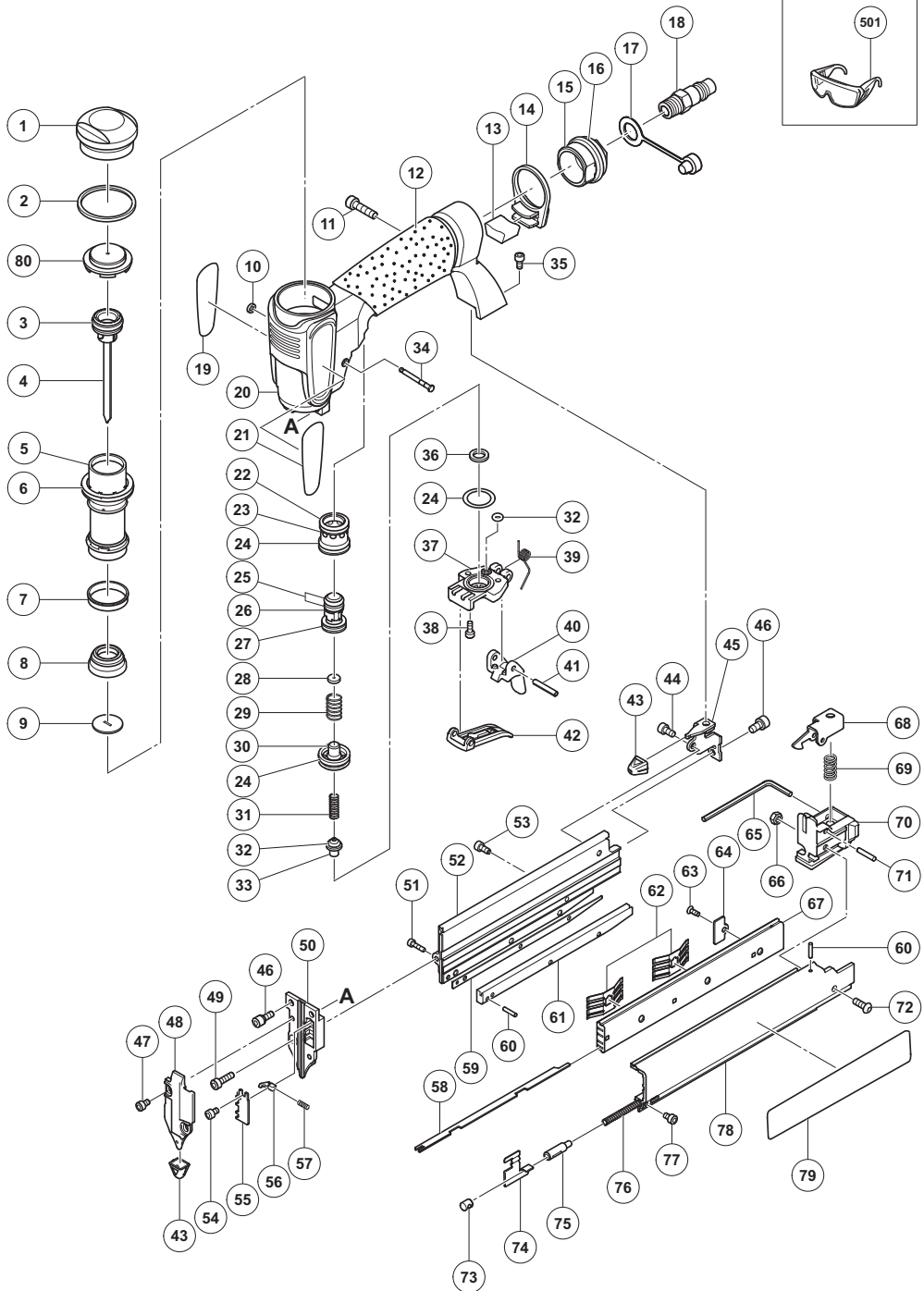
ACCIÓN	PARA	CÓMO
Drenaje diario del filtro de la línea de aire.	Evitar la acumulación de humedad y suciedad.	Abra la llave de escape manual.
Mantenimiento del lubricador lleno.	Mantener el clavador lubricado.	Rellene con lubricante para herramientas neumáticas Hitachi.
Limpie el elemento de filtrado y sople aire a través del filtro en dirección opuesta al flujo normal diario.	Evitar que el filtro se atasque con suciedad.	Siga las instrucciones del fabricante.
Limpieza del cargador y del mecanismo del alimentador.	Evitar atascos.	Sople diariamente.
Mantenimiento de la palanca de bloqueo en perfectas condiciones.	Garantizar la seguridad del operador y la operación eficaz del clavador.	Sople diariamente.
Lubricación del clavador después de haberlo utilizado.	Prolongar la duración del clavador.	Aplique 5 – 10 gotas de lubricante al clavador.
Drene el compresor de aire todos los días.	Mantener el clavador en buenas condiciones de operación.	Abra la llave de escape.

Solución de problemas por parte del operador

La mayoría de los problemas sin importancia podrán resolverse fácilmente utilizando la tabla siguiente.

Si el problema persiste, póngase en contacto con un centro de reparaciones autorizado por Hitachi.

PROBLEMA	MÉTODO DE COMPROBACIÓN	SOLUCIÓN
El clavador funciona pero los clavos no se introducen.	Compruebe si está atascado.	Desatasque como se indica en la página 51.
	¿Está dañado el alimentador de clavos?	Reemplace el alimentador de clavos.
	¿Está flojo o dañado el resorte de empuje?	Reemplace el resorte de empuje.
	Compruebe si los clavos son los apropiados.	Utilice solamente los clavos recomendados.
Poca fuerza. Reciclado lento.	Compruebe la presión de aire.	Aumente la presión de aire. (No sobrepase 100 psi (6.9 barías, 7 kgf/cm ²))
	Controle la posición del ajustador de profundidad de clavado.	Reajuste de acuerdo a la página 49.
	—————	Utilice lubricante para neumáticos Hitachi.
	¿Está gastada la cuchilla impulsora? ¿Está desgastada o dañada la junta tórica del pusón?	Solicite otra de reemplazo a Hitachi.
Los clavos penetran demasiado.	Compruebe la presión de aire.	Reduzca la presión de aire. (Ajustela a 64 – 100 psi (4.4 – 6.9 barías, 4.5 – 7 kgf/cm ²))
	Controle la posición del ajustador de profundidad de clavado.	Reajuste de acuerdo a la página 49.
Salto de clavos. Alimentación intermitente.	Compruebe si los clavos son los apropiados.	Utilice solamente los clavos recomendados.
	¿Está dañado el alimentador de clavos?	Reemplace el alimentador de clavos.
	¿Está flojo o dañado el resorte de empuje?	Reemplace el resorte de empuje.
	¿Está desgastada o dañada la junta tórica del pistón?	Póngase en contacto con Hitachi para reemplazarlo.
Clavos atascadas. Los clavos se clavan doblados.	Compruebe si los clavos son apropiados.	Utilice solamente los clavos recomendados.
	¿Está gastada la cuchilla impulsora?	Póngase en contacto con Hitachi para reemplazarlo.
El funcionamiento es normal, pero no es posible clavar a gran velocidad.	Compruebe el diámetro interior de la manguera de aire.	Utilice otra manguera de aire de mayor diámetro.



Item No.	Part Name	Q'TY
1	HEAD COVER	1
2	PACKING	1
3	O-RING (I.D 16)	1
4	DRIVER UNIT	1
5	CYLINDER	1
6	O-RING (I.D 31.2)	1
7	CYLINDER RING	1
8	BUMPER	1
9	DRIVER GUIDE	1
10	RETAINING RING	1
11	HEX. SOCKET HD. BOLT M5x20	1
12	GRIP RUBBER	1
13	MUFFLER	1
14	GUIDE PLATE	1
15	END CAP	1
16	O-RING (I.D 27)	1
17	DUST CAP	1
18	AIR PLUG PT 1/4	1
19	HITACHI LABEL (B)	1
20	BODY ASS'Y	1
21	HITACHI LABEL (A)	1
22	O-RING (S-14)	1
23	TRIGGER VALVE HEAD	1
24	O-RING (I.D 15)	3
25	O-RING (I.D 6.02)	2
26	VALVE PLUNGER	1
27	O-RING (I.D 12)	1
28	CUSHION	1
29	SPRING (D0.6xL16.8)	1
30	PLUNGER CAP	1
31	SPRING (D0.4xL13.3)	1
32	O-RING (I.D 2.57)	2
33	PLUNGER	1
34	TRIGGER PIVOT PIN	1
35	SEAL LOCK HEX. SOCKET HD. BOLT M4x8	1
36	COLLAR	1
37	VALVE COVER	1
38	HEX. SOCKET HD. BOLT M3x8	2
39	LOCK SPRING	1
40	LOCK LEVER	1
41	ROLL PIN D3x18	1
42	TRIGGER	1
43	NOSE CAP (A)	2
44	HEX. SOCKET HD. BOLT (W/SP. WASHER) M4x8	1
45	BRACKET UNIT	1
46	BOLT (W/WASHER) M4x12	3
47	HEX. SOCKET HD. BOLT M4x6	2
48	NOSE	1
49	SEAL LOCK HEX. SOCKET HD. BOLT M4x14	1
50	BLADE GUIDE	1
51	SEAL LOCK HEX. SOCKET HD. BOLT M3x10	3
52	MAGAZINE (A)	1
53	SCREW M4	1
54	HEX. SOCKET HD. BOLT M3x4	1
55	STOPPER	1
56	GUIDE LOCATING	4
57	GUIDE LOCATING SPRING	4

Item No.	Part Name	Q'TY
58	SPACER	4
59	FLAT BAR	1
60	ROLL PIN D2x10	2
61	MAGAZINE (B)	1
62	SPRING PLATE	2
63	TAP BOLT M3x8	1
64	SPACER SAFETY COVER	1
65	HEX. BAR WRENCH 3MM	1
66	NYLON NUT M4	1
67	MAGAZINE COVER (B)	1
68	STOP LEVER	1
69	SAFETY SPRING	1
70	MAGAZINE COVER (C)	1
71	ROLL PIN D3x16	1
72	HEX. SOCKET HD. BOLT (W/BUTTON) M4x12	1
73	ANCHOR BLOCK	1
74	PUSHER	1
75	SHAFT	1
76	PUSHING SPRING	1
77	SEAL LOCK HEX. SOCKET HD. BOLT M3x6	1
78	MAGAZINE COVER (A)	1
79	NAME PLATE	1
80	SEAL	1
501	SAFETY COBVER	1
502	LUBRICANT OILER	1
503	CASE	1

Issued by

 **Hitachi Koki Co., Ltd.**

Shinagawa Intercity Tower A, 15-1, Konan 2-chome,
Minato-ku, Tokyo 108-6020, Japan

Distributed by

 **Hitachi Koki U.S.A., Ltd.**

PO Box 970
Braselton, GA 30517

 **Hitachi Koki Canada Corp.**

450 Export Blvd. Unit B,
Mississauga ON L5S 2A4

603

Code No. C99127163 O

Printed in Taiwan