

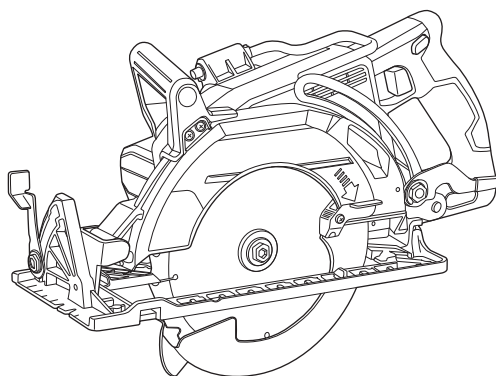
metabo **HPT**

Designed for operating in USA & Canada only.
When this product is used in areas other than the USA & Canada,
we cannot guarantee the product quality and performance.

Model
Modèle
Modelo

C 3607DWA

Cordless Rear Handle Circular Saw
Scie circulaire sans fil à poignée arrière
Sierra Circular Inalámbrica con Mango Posterior



SAFETY INSTRUCTIONS AND INSTRUCTION MANUAL

⚠ WARNING

IMPROPER OR UNSAFE use of this power tool can result in death or serious bodily injury! This manual contains important information about product safety. Please read and understand this manual **BEFORE** operating the power tool. Please keep this manual available for other users and owners before they use the power tool. This manual should be stored in safe place.

INSTRUCTIONS DE SECURITE ET MODE D'EMPLOI

⚠ AVERTISSEMENT

Une utilisation **INCORRECTE OU DANGEREUSE** de cet outil motorisé peut entraîner la mort ou de sérieuses blessures corporelles!
Ce mode d'emploi contient d'importantes informations à propos de la sécurité de ce produit. Prière de lire et de comprendre ce mode d'emploi **AVANT** d'utiliser l'outil motorisé. Garder ce mode d'emploi à la disponibilité des autres utilisateurs et propriétaires avant qu'ils utilisent l'outil motorisé. Ce mode d'emploi doit être conservé dans un endroit sûr.

INSTRUCCIONES DE SEGURIDAD Y MANUAL DE INSTRUCCIONES

⚠ ADVERTENCIA

¡La utilización **INAPROPIADA O PELIGROSA** de esta herramienta eléctrica puede resultar en lesiones de gravedad o la muerte!
Este manual contiene información importante sobre la seguridad del producto. Lea y comprenda este manual **ANTES** de utilizar la herramienta eléctrica. Guarde este manual para que puedan leerlo otras personas antes de utilizar la herramienta eléctrica. Este manual debe ser guardado en un lugar seguro.

IMPORTANT SAFETY INFORMATION

Read and understand all of the safety precautions, warnings and operating instructions in the Instruction Manual before operating or maintaining this power tool.

Most accidents that result from power tool operation and maintenance are caused by the failure to observe basic safety rules or precautions. An accident can often be avoided by recognizing a potentially hazardous situation before it occurs, and by observing appropriate safety procedures.

Basic safety precautions are outlined in the "SAFETY" section of this Instruction Manual and in the sections which contain the operation and maintenance instructions.

Hazards that must be avoided to prevent bodily injury or machine damage are identified by WARNINGS on the power tool and in this Instruction Manual.

NEVER use this power tool in a manner that has not been specifically recommended by metabo HPT.

MEANINGS OF SIGNAL WORDS

WARNING indicates a potentially hazardous situations which, if ignored, could result in death or serious injury.

CAUTION indicates a potentially hazardous situations which, if not avoided, may result in minor or moderate injury, or may cause machine damage.

NOTE emphasizes essential information.

SAFETY

GENERAL POWER TOOL SAFETY WARNINGS

⚠ WARNING

Read all safety warnings, instructions, illustrations and specifications provided with this power tool.
Failure to follow all instructions listed below may result in electric shock, fire and/or serious injury.

Save all warnings and instructions for future reference.

The term "power tool" in the warnings refers to your mains-operated (corded) power tool or battery-operated (cordless) power tool.

- 1) **Work area safety**
 - a) **Keep work area clean and well lit.**
Cluttered or dark areas invite accidents.
 - b) **Do not operate power tools in explosive atmospheres, such as in the presence of flammable liquids, gases or dust.**
Power tools create sparks which may ignite the dust or fumes.
 - c) **Keep children and bystanders away while operating a power tool.**
Distractions can cause you to lose control.
- 2) **Electrical safety**
 - a) **Power tool plugs must match the outlet. Never modify the plug in any way. Do not use any adapter plugs with earthed (grounded) power tools.**
Unmodified plugs and matching outlets will reduce risk of electric shock.
 - b) **Avoid body contact with earthed or grounded surfaces such as pipes, radiators, ranges and refrigerators.**
There is an increased risk of electric shock if your body is earthed or grounded.
 - c) **Do not expose power tools to rain or wet conditions.**
Water entering a power tool will increase the risk of electric shock.
 - d) **Do not abuse the cord. Never use the cord for carrying, pulling or unplugging the power tool. Keep cord away from heat, oil, sharp edges or moving parts.**
Damaged or entangled cords increase the risk of electric shock.
 - e) **When operating a power tool outdoors, use an extension cord suitable for outdoor use.**
Use of a cord suitable for outdoor use reduces the risk of electric shock.
 - f) **If operating a power tool in a damp location is unavoidable, use a residual current device (RCD) protected supply.**
Use of an RCD reduces the risk of electric shock.

- 3) **Personal safety**
- a) **Stay alert, watch what you are doing and use common sense when operating a power tool. Do not use a power tool while you are tired or under the influence of drugs, alcohol or medication.**
A moment of inattention while operating power tools may result in serious personal injury.
- b) **Use personal protective equipment. Always wear eye protection.**
Protective equipment such as a dust mask, non-skid safety shoes, hard hat or hearing protection used for appropriate conditions will reduce personal injuries.
- c) **Prevent unintentional starting. Ensure the switch is in the off-position before connecting to power source and/or battery pack, picking up or carrying the tool.**
Carrying power tools with your finger on the switch or energising power tools that have the switch on invites accidents.
- d) **Remove any adjusting key or wrench before turning the power tool on.**
A wrench or a key left attached to a rotating part of the power tool may result in personal injury.
- e) **Do not overreach. Keep proper footing and balance at all times.**
This enables better control of the power tool in unexpected situations.
- f) **Dress properly. Do not wear loose clothing or jewellery. Keep your hair and clothing away from moving parts.**
Loose clothes, jewellery or long hair can be caught in moving parts.
- g) **If devices are provided for the connection of dust extraction and collection facilities, ensure these are connected and properly used.**
Use of dust collection can reduce dust-related hazards.
- h) **Do not let familiarity gained from frequent use of tools allow you to become complacent and ignore tool safety principles.**
A careless action can cause severe injury within a fraction of a second.
- 4) **Power tool use and care**
- a) **Do not force the power tool. Use the correct power tool for your application.**
The correct power tool will do the job better and safer at the rate for which it was designed.
- b) **Do not use the power tool if the switch does not turn it on and off.**
Any power tool that cannot be controlled with the switch is dangerous and must be repaired.
- c) **Disconnect the plug from the power source and/or remove the battery pack, if detachable, from the power tool before making any adjustments, changing accessories, or storing power tools.**
Such preventive safety measures reduce the risk of starting the power tool accidentally.
- d) **Store idle power tools out of the reach of children and do not allow persons unfamiliar with the power tool or these instructions to operate the power tool.**
Power tools are dangerous in the hands of untrained users.
- e) **Maintain power tools and accessories. Check for misalignment or binding of moving parts, breakage of parts and any other condition that may affect the power tool's operation. If damaged, have the power tool repaired before use.**
Many accidents are caused by poorly maintained power tools.
- f) **Keep cutting tools sharp and clean.**
Properly maintained cutting tools with sharp cutting edges are less likely to bind and are easier to control.
- g) **Use the power tool, accessories and tool bits etc. in accordance with these instructions, taking into account the working conditions and the work to be performed.**
Use of the power tool for operations different from those intended could result in a hazardous situation.
- h) **Keep handles and grasping surfaces dry, clean and free from oil and grease.**
Slippery handles and grasping surfaces do not allow for safe handling and control of the tool in unexpected situations.
- 5) **Battery tool use and care**
- a) **Recharge only with the charger specified by the manufacturer.**
A charger that is suitable for one type of battery pack may create a risk of fire when used with another battery pack.
- b) **Use power tools only with specifically designated battery packs.**
Use of any other battery packs may create a risk of injury and fire.
- c) **When battery pack is not in use, keep it away from other metal objects, like paper clips, coins, keys, nails, screws or other small metal objects, that can make a connection from one terminal to another.**
Shorting the battery terminals together may cause burns or a fire.

- d) **Under abusive conditions, liquid may be ejected from the battery; avoid contact. If contact accidentally occurs, flush with water. If liquid contacts eyes, additionally seek medical help.**
Liquid ejected from the battery may cause irritation or burns.
- e) **Do not use a battery pack or tool that is damaged or modified.**
Damaged or modified batteries may exhibit unpredictable behaviour resulting in fire, explosion or risk of injury.
- f) **Do not expose a battery pack or tool to fire or excessive temperature.**
Exposure to fire or temperature above 265 °F may cause explosion.
- g) **Follow all charging instructions and do not charge the battery pack or tool outside the temperature range specified in the instructions.**
Charging improperly or at temperatures outside the specified range may damage the battery and increase the risk of fire.
- 6) **Service**
- a) **Have your power tool serviced by a qualified repair person using only identical replacement parts.**
This will ensure that the safety of the power tool is maintained.
- b) **Never service damaged battery packs.**
Service of battery packs should only be performed by the manufacturer or authorized service providers.

– WARNING –

To reduce the risk of injury, user must read instruction manual.

CORDLESS REAR HANDLE CIRCULAR SAW SAFETY WARNINGS

Cutting procedures

- a) **⚠ DANGER: Keep hands away from cutting area and the blade. Keep your second hand on sub handle.**
If both hands are holding the saw, they cannot be cut by the blade.
- b) **Do not reach underneath the workpiece.**
The guard cannot protect you from the blade below the workpiece.
- c) **Adjust the cutting depth to the thickness of the workpiece.**
Less than a full tooth of the blade teeth should be visible below the workpiece.
- d) **Never hold the workpiece in your hands or across your leg while cutting. Secure the workpiece to a stable platform.**

4

- It is important to support the work properly to minimise body exposure, blade binding, or loss of control.*
- e) **Hold the power tool by insulated gripping surfaces, when performing an operation where the cutting tool may contact hidden wiring.**
Contact with a "live" wire will also make exposed metal parts of the power tool "live" and could give the operator an electric shock.
- f) **When ripping, always use a rip fence or straight edge guide.**
This improves the accuracy of cut and reduces the chance of blade binding.
- g) **Always use blades with correct size and shape (diamond versus round) of arbour holes.**
Blades that do not match the mounting hardware of the saw will run off-centre, causing loss of control.
- h) **Never use damaged or incorrect blade washers or bolt.**
The blade washers and bolt were specially designed for your saw, for optimum performance and safety of operation.

Kickback causes and related warnings

- kickback is a sudden reaction to a pinched, jammed or misaligned saw blade, causing an uncontrolled saw to lift up and out of the workpiece toward the operator;
- when the blade is pinched or jammed tightly by the kerf closing down, the blade stalls and the motor reaction drives the unit rapidly back toward the operator;
- if the blade becomes twisted or misaligned in the cut, the teeth at the back edge of the blade can dig into the top surface of the wood causing the blade to climb out of the kerf and jump back toward the operator.

Kickback is the result of saw misuse and/or incorrect operating procedures or conditions and can be avoided by taking proper precautions as given below.

- a) **Maintain a firm grip with both hands on the saw and position your arms to resist kickback forces. Position your body to either side of the blade, but not in line with the blade.**
Kickback could cause the saw to jump backwards, but kickback forces can be controlled by the operator, if proper precautions are taken.
- b) **When blade is binding, or when interrupting a cut for any reason, release the trigger and hold the saw motionless in the material until the blade comes to a complete stop. Never attempt to remove the saw from the work or pull the saw backward while the blade is in motion or kickback may occur.**
Investigate and take corrective actions to eliminate the cause of blade binding.

- c) **When restarting a saw in the workpiece, centre the saw blade in the kerf so that saw teeth are not engaged into the material.**

If a saw blade binds, it may walk up or kickback from the workpiece as the saw is restarted.

- d) **Support large panels to minimise the risk of blade pinching and kickback.**

Large panels tend to sag under their own weight.

Supports must be placed under the panel on both sides, near the line of cut and near the edge of the panel.

- e) **Do not use dull or damaged blades.**

Unsharpened or improperly set blades produce narrow kerf causing excessive friction, blade binding and kickback.

- f) **Blade depth and bevel adjusting locking levers must be tight and secure before making the cut.**

If blade adjustment shifts while cutting, it may cause binding and kickback.

- g) **Use extra caution when sawing into existing walls or other blind areas.**

The protruding blade may cut objects that can cause kickback.

Lower guard function

- a) **Check the lower guard for proper closing before each use. Do not operate the saw if the lower guard does not move freely and close instantly. Never clamp or tie the lower guard into the open position.**

If the saw is accidentally dropped, the lower guard may be bent.

Raise the lower guard with the retracting handle and make sure it moves freely and does not touch the blade or any other part, in all angles and depths of cut.

- b) **Check the operation of the lower guard spring. If the guard and the spring are not operating properly, they must be serviced before use.**

Lower guard may operate sluggishly due to damaged parts, gummy deposits, or a build-up of debris.

- c) **The lower guard may be retracted manually only for special cuts such as "plunge cuts" and "compound cuts".**

Raise the lower guard by the retracting handle and as soon as the blade enters the material, the lower guard must be released.

For all other sawing, the lower guard should operate automatically.

- d) **Always observe that the lower guard is covering the blade before placing the saw down on bench or floor.**

An unprotected, coasting blade will cause the saw to walk backwards, cutting whatever is in its path.

Be aware of the time it takes for the blade to stop after switch is released.

Others

1. ALWAYS wear proper apparel. Do not wear loose clothing, gloves, neckties, rings, bracelets or other jewelry which may get caught in moving parts to lead personal injury. Wear protective hair covering to contain long hair.
2. ALWAYS wear eye protection. Any power tool can throw foreign objects into eyes and could cause permanent eye damage. ALWAYS wear Safety Goggles (not glasses) that comply with ANSI Safety standard Z87.1. Everyday eyeglasses have only impact-resistant lenses. They ARE NOT safety glasses.
3. Wear suitable personal protective equipment when necessary, this could include:
 - hearing protection to reduce the risk of induced hearing loss;
 - eye protection;
 - respiratory protection which are approved by NIOSH/OSHA to reduce the risk of inhalation of harmful dust;
 - gloves for handling saw blades (saw blades shall be carried in a holder wherever practicable) and rough material.
4. Keep alert. Never operate the saw when you feel tired or when you are under the influence of any drugs, alcohol or medication that could affect your ability to use the tool properly.
5. Keep the working environment well ventilated. Some dust created by power sanding, sawing, grinding, drilling and other construction activities contains chemicals to cause cancer, birth defects or other reproductive harm. Therefore, work in a well ventilated area, and work with approved safety equipment, such as those dust masks that are specially designed to filter out microscopic particles.
6. Avoid prolonged contact with dust from power sanding, sawing, grinding, drilling, and other construction activities. Wear protective clothing and wash exposed areas with soap and water. Allowing dust to get into your mouth, eyes, or lay on the skin may promote absorption of harmful chemicals.
7. To prevent from fire or toxic reactio, never use gasoline, naphtha acetone, lacquer thinner or similar highly volatile solvents to clean the saw.

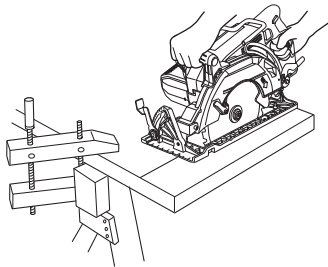
SPECIFIC SAFETY RULES

1. **Adjustments. Before cutting be sure depth and bevel adjustments are tight.**
2. **Avoid cutting nails. Inspect for and remove all nails from work piece before cutting.**
3. **When operating the saw, keep the cord away from the cutting area and position it so that it will not be caught on the workpiece during the cutting operation.**

Operate with proper hand support, proper workpiece support, and supply cord routing away from the work area.

⚠ WARNING

It is important to support the work piece properly and to hold the saw firmly to prevent loss of control which could cause personal injury. Fig. 1 illustrates typical hand support of the saw.



A TYPICAL ILLUSTRATION OF PROPER HAND SUPPORT WORKPIECE SUPPORT.

Fig. 1

4. **Place the wider portion of the base on that part of the work piece which is solidly supported, not on the section that will fall off when the cut is made.** As examples, Fig. 2 illustrates the RIGHT way to cut off the end of board, and Fig. 3 the WRONG way. If the work piece is short or small, clamp it down. **DON'T TRY TO HOLD SHORT PLACES BY HAND!**

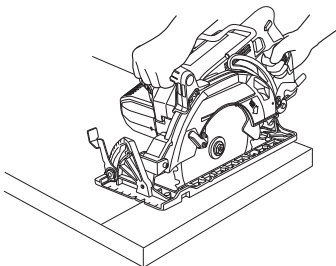


Fig. 2

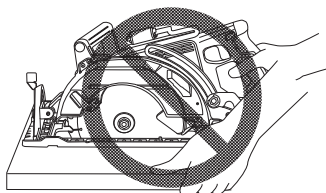


Fig. 3

5. **Never attempt to saw with the circular saw held upside down in a vise.**

This is extremely dangerous and can lead to serious accidents. (Fig. 4)

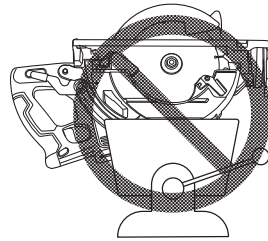


Fig. 4

6. **Before setting the tool down after completing a cut, be sure that the lower (telescoping) guard has closed and the blade has come to a complete stop.**

7. **Never touch moving parts.**

Never place your hands, fingers or other body parts near the tool's moving parts.

8. **Never operate without all guards in place.**

Never operate this tool without all guards or safety features in place and in proper working order. If maintenance or servicing requires the removal of a guard or safety feature, be sure to replace the guard or safety feature before resuming operation of the tool.

9. **Use right tool.**

Don't force small tool or attachment to do the job of a heavy-duty tool.

Don't use tool for purpose not intended—for example— don't use circular saw for cutting tree limbs or logs.

10. **Never use a power tool for applications other than those specified.**

Never use a power tool for applications other than those specified in the Instruction Manual.

11. **Handle tool correctly.**

Operate the tool according to the instructions provided herein. Do not drop or throw the tool. Never allow the tool to be operated by children, individuals unfamiliar with its operation or unauthorized personnel.

12. **Definitions for symbols.**

- V volts
- direct current
- No no load speed
- /min revolutions or reciprocation per minute
- Hz hertz
- A amperes

13. **Do not run the saw while carrying it at your side.**

14. **Keep all screws, bolts and covers tightly in place.**

Keep all screws, bolts, and plates tightly mounted. Check their condition periodically.

15. Do not use power tools if the plastic housing or handle is cracked.

Cracks in the tool's housing or handle can lead to electric shock. Such tools should not be used until repaired.

16. Blades and accessories must be securely mounted to the tool.

Prevent potential injuries to yourself or others. Blades, cutting implements and accessories which have been mounted to the tool should be secure and tight.

17. Never use a tool which is defective or operating abnormally.

If the tool appears to be operating unusually, making strange noises, or otherwise appears defective, stop using it immediately and arrange for repairs by a metabo HPT authorized service center.

18. Carefully handle power tools.

Should a power tool be dropped or struck against hard materials inadvertently, it may be deformed, cracked, or damaged.

19. Do not wipe plastic parts with solvent.

Solvents such as gasoline, thinner benzine, carbon tetrachloride, and alcohol may damage and crack plastic parts. Do not wipe them with such solvents. Wipe plastic parts with a soft cloth lightly dampened with soapy water and dried thoroughly.

20. Never wear gloves made of material liable to roll up such as cotton, wool, cloth or string, etc.**21. Keep motor air vent clean.**

The tool's motor air vent must be kept clean so that air can freely flow at all times. Check for dust build-up frequently.

22. NEVER leave tool running unattended. Turn power off.

Don't leave tool until it comes to a complete stop.

23. NEVER touch the blade with bare hands after operation.**24. Because the cordless circular saw operates by battery power, be aware of the fact that it can begin to operate at any time.****25. When working at elevated locations, clear the area of other people and aware of conditions below you.****26. Do not give a strong shock to the switch panel or break it. It may lead to a trouble.****27. Do not use the product if the tool or the battery terminals (battery mount) are deformed.**

Installing the battery could cause a short circuit that could result in smoke emission or ignition.

28. Keep the tool's terminals (battery mount) free of swarf and dust.

- Prior to use, make sure that swarf and dust have not collected in the area of the terminals.
- During use, try to avoid swarf or dust on the tool from falling on the battery.

- When suspending operation or after use, do not leave the tool in an area where it may be exposed to falling swarf or dust. Doing so could cause a short circuit that could result in smoke emission or ignition.

IMPORTANT SAFETY INSTRUCTIONS FOR CHARGER OR ADAPTER

The term "charger or adapter" in the safety instructions refers to your battery charger or AC/DC adapter.

⚠ WARNING

Death or serious bodily injury could result from improper or unsafe use of charger or adapter. To avoid these risks, follow these basic safety instructions:

READ ALL INSTRUCTIONS

1. This manual contains important safety and operating instructions for battery charger Model UC18YSL3 or AC/DC adapter Model ET36A.
2. Before using charger or adapter, read all instructions and cautionary markings on (1) charger or adapter, (2) battery, and (3) product using battery.
3. When charging the battery with a battery charger, reduce the risk of injury by charging metabo HPT rechargeable battery multi volt type series and BSL18 series. Other type of batteries may burst causing personal injury and damage.
4. Do not expose charger or adapter to rain or snow.
5. Use of an attachment not recommended or sold by the charger or adapter manufacturer may result in a risk of fire, electric shock, or injury to persons.
6. To reduce risk of damage to electric plug and cord, pull by plug when disconnecting charger or adapter.
7. Make sure cord is located so that it will not be stepped on, tripped over, or otherwise subjected to damage or stress.
8. An extension cord should not be used unless absolutely necessary. Use of improper extension cord could result in a risk of fire and electric shock.
 - If extension cord must be used make sure:
 - a. That blades of extension cord are the same number, size, and shape as those of plug on charger or adapter:
 - b. That extension cord is properly wired and in good electrical condition; and
 - c. That wire size is large enough for AC ampere rating of charger or adapter as specified in Table 1.

Table 1
RECOMMENDED MINIMUM AWG SIZE FOR
EXTENSION CORDS FOR CHARGER OR ADAPTER

AC Input Rating Amperes*		AWG Size of Cord			
Equal to or greater than	but less than	Length of Cord, Feet (Meter)			
		25 (7.5)	50 (15)	100 (30)	150 (45)
0	2	18	18	18	16
2	3	18	18	16	14
3	4	18	18	16	14

* If the input rating of a charger or adapter is given in watts rather than in amperes, the corresponding ampere rating is to be determined by dividing the wattage rating by the voltage rating—for example:

$$\frac{1,250 \text{ watts}}{125 \text{ volts}} = 10 \text{ amperes}$$

9. Do not operate charger or adapter with damaged cord or plug-replace them immediately.
10. Do not operate charger or adapter if it has received a sharp blow, been dropped, or otherwise damaged in any way; take it to a qualified serviceman.
11. Do not disassemble charger or adapter; take it to a qualified serviceman when service or repair is required. Incorrect reassembly may result in a risk of electric shock or fire.
12. To reduce risk of electric shock, unplug charger or adapter from receptacle before attempting any maintenance or cleaning. Removing the battery will not reduce this risk.
13. This AC/DC adapter is for use only with specific tools, including C3607DWA. The adapter might be suitable for use with other metabo HPT battery operated tools. It is necessary to confirm suitability by referencing the instruction manual of the specific tool or by consulting our web site <https://www.metabo-hpt.com/>. Failure to confirm suitability before using the adapter with specific tools could result in fire hazard.

IMPORTANT SAFETY INSTRUCTIONS FOR USE OF THE BATTERY AND CHARGER OR ADAPTER

You must charge the battery before you can use the power tool. Before using the model UC18YSL3 battery charger, be sure to read all instructions and cautionary statements on it, the battery and in this manual.

⚠ CAUTION
USE ONLY metabo HPT BATTERY MODELS OF THE MULTI VOLT SERIES. OTHER MODELS OF BATTERIES MAY BURST AND CAUSE INJURY!

Follow these instructions to avoid the risk of injury:

⚠ WARNING

Improper use of the battery or battery charger can lead to serious injury. To avoid these injuries:

1. **NEVER** disassemble the battery or AC/DC adapter.
2. **NEVER** incinerate the battery or AC/DC adapter, even if it is damaged or is completely worn out. The battery can explode in a fire.
3. **NEVER** short-circuit the battery or AC/DC adapter.
4. **NEVER** insert any objects into the charger or adapter's air vents. Electric shock or damage to the charger or adapter may result.
5. **NEVER** use outdoors. Keep the battery or AC/DC adapter away from direct sunlight and use only where there is low humidity and good ventilation.
6. **NEVER** charge when the temperature is below 32°F (0°C) or above 104°F (40°C). (UC18YSL3)
NEVER use when the temperature is below 14°F (-10°C) or above 104°F (40°C). (ET36A)
7. **NEVER** connect two charger or adapter together.
8. **NEVER** insert foreign objects into the hole for the battery or the charger or adapter.
9. **NEVER** use a booster transformer.
10. **NEVER** use DC power.
11. **NEVER** store the battery or charger or adapter in places where the temperature may reach or exceed 104°F (40°C) such as inside metal box or car.
12. **NEVER** expose the battery or charger or adapter to rain or wet conditions.
13. **ALWAYS** operate charger or adapter on standard household electrical power (120 volts). Using the charger or adapter on any other voltage may overheat and damage the charger.
14. **ALWAYS** wait at least 15 minutes between charges to avoid overheating the charger. (UC18YSL3)
15. **ALWAYS** disconnect the power cord from its receptacle when the charger or adapter is not in use.

[The information below applies only to ET36A]

16. Do not use the product if the tool or the AC/DC adapter terminals (AC/DC adapter mount) are deformed. Installing the AC/DC adapter could cause a short circuit that could result in smoke emission or ignition.
17. Keep the tool's terminals (AC/DC adapter mount) free of swarf and dust.
 - Prior to use, make sure that swarf and dust have not collected in the area of the terminals.
 - During use, try to avoid swarf or dust on the tool from falling on the AC/DC adapter.
 - When suspending operation or after use, do not leave the tool in an area where it may be exposed to falling swarf or dust. Doing so could cause a short circuit that could result in smoke emission or ignition.
18. The product is intended for Use in Pollution Degree 2 or PD2 environments. Operate only in areas of non-conductive pollution. A temporary conductivity caused by condensation is normally expected.
19. This is a precision machine so do not drop or expose to impact.
20. Do not use this product near a pacemaker or other similar implanted device, which may be affected by a magnetic field produced by this product.
21. The adapter, power supply box and the inside of the DC cord generates a boosted high voltage of 380 V so please be careful of the following.
 - Do not disassemble the product.
 - Do not drop or expose to impact. In the event the product is damaged from strong impact, do not use the product.
 - Do not use the product in areas exposed to rain, snow, iron powder or wet condition.
 - Do not touch the product with wet hands.
 - Do not spill or pour liquid onto the product.
 - Do not pull the cord with excessive force.
 - Use the product in a well-ordered work environment.
4. During use, do not pull the cord to move the Box. Doing so may result in damage.
5. Do not use more than a single cord reel of 30 meters. Doing so may result in damage.
6. During use, if the machine stops running after the Box's LED lamp blinks, confirm the power supply environment.
7. Do not drag the cord when using or carrying the machine. Doing so may tear the cord insulation or break the cord which could result in electric shock.
8. Do not stretch the cord out any more than required. When using tools such as gardening clippers or circular saws, always make sure of the power cord's position to avoid cutting the cord during operation.
9. To use the AC/DC adapter after it shuts down due to high temperature, disconnect the box's power plug, wait for the LED lamp to go out and then reconnect the box's power plug. If the machine cuts off even after sufficiently cooling it off with the built-in fan, discontinue use as there may be a problem with the machine.
10. Do not use this product near a radio. Doing so could cause noise from the radio, making it difficult to listen to a broadcast.
11. This is a power source for multi volt products. Do not use with 18 V products or chargers. Doing so could result in damage.
12. Overload behavior may differ when compared with BSL36B18 battery use. With the battery where the LED should blink on the main unit, the LED on the AC/DC adapter may blink instead.

PRECAUTIONS FOR AC/DC ADAPTER

The adapter equips with the protection function to stop the output. In the cases of 1 to 2 described below, when using this product, even if you are pulling the switch, the motor may stop. This is not the trouble but the result of protection function.

1. When the mesh of the vent is plugged by objects such as wood shavings, try to keep the objects out when you clear the mesh. (If not properly maintained, the temperature protective feature could shut the product off)
2. When the temperature protective feature frequently cuts the power off, do not overload the machine with continued work, but let the machine rest for a little before continuing operation.
3. The machine does get hot. However, this does not indicate an abnormality. Keep the electricity running and operate the internal fan to cool the machine before carrying it elsewhere. When carrying the product, make sure to use the cord armor. The case may be hot so please be careful.
1. If the tool is overloaded, output may stop. In this case, release the switch of tool and eliminate causes of overloading.
2. If the adapter is overheated under overload work, output may stop. In situations like this, discontinue use of the adapter and detach it from the tool. Allow the adapter to cool in a location such as a shaded area with good air circulation.

CAUTION ON LITHIUM-ION BATTERY

To extend the lifetime, the lithium-ion battery equips with the protection function to stop the output.

In the cases of 1 to 3 described below, when using this product, even if you are pulling the switch, the motor may stop. This is not the trouble but the result of protection function.

1. When the battery power remaining runs out, the motor stops.
In such case, charge it up immediately.
2. If the tool is overloaded, the motor may stop. In this case, release the switch of tool and eliminate causes of overloading. After that, you can use it again.
3. If the battery is overheated under overload work, the battery power may stop.
In this case, stop using the battery and let the battery cool. After that, you can use it again.

Furthermore, please heed the following warning and caution.

⚠ WARNING

In order to prevent any battery leakage, heat generation, smoke emission, explosion and ignition beforehand, please be sure to heed the following precautions.

1. Make sure that swarf and dust do not collect on the battery.
 - During work make sure that swarf and dust do not fall on the battery.
 - Make sure that any swarf and dust falling on the power tool during work do not collect on the battery.
 - Do not store an unused battery in a location exposed to swarf and dust.
 - Before storing a battery, remove any swarf and dust that may adhere to it and do not store it together with metal parts (screws, nails, etc.).
2. Do not pierce battery with a sharp object such as a nail, strike with a hammer, step on, throw or subject the battery to severe physical shock.
3. Do not use an apparently damaged or deformed battery.
4. Do not use the battery in reverse polarity.
5. Do not connect directly to an electrical outlets or car cigarette lighter sockets.
6. Do not use the battery for a purpose other than those specified.
7. If the battery charging fails to complete even when a specified recharging time has elapsed, immediately stop further recharging.
8. Do not put or subject the battery to high temperatures or high pressure such as into a microwave oven, dryer, or high pressure container.
9. Keep away from fire immediately when leakage or foul odor are detected.
10. Do not use in a location where strong static electricity generates.

11. If there is battery leakage, foul odor, heat generated, discolored or deformed, or in any way appears abnormal during use, recharging or storage, immediately remove it from the equipment or battery charger, and stop use.
12. Do not immerse the battery or allow any fluids to flow inside. Conductive liquid ingress, such as water, can cause damage resulting in fire or explosion. Store your battery in a cool, dry place, away from combustible and flammable items. Corrosive gas atmospheres must be avoided.

⚠ CAUTION

1. If liquid leaking from the battery gets into your eyes, do not rub your eyes and wash them well with fresh clean water such as tap water and contact a doctor immediately.
If left untreated, the liquid may cause eye-problems.
2. If liquid leaks onto your skin or clothes, wash well with clean water such as tap water immediately.
There is a possibility that this can cause skin irritation.
3. If you find rust, foul odor, overheating, discolor, deformation, and/or other irregularities when using the battery for the first time, do not use and return it to your supplier or vendor.

⚠ WARNING

If an electrically conductive foreign object enters the terminals of the lithium ion battery, a short-circuit may occur resulting in the risk of fire. Please observe the following matters when storing the battery.

- **Do not place electrically conductive cuttings, nails, steel wire, copper wire or other wire in the storage case.**
- **Either install the battery in the power tool or store by securely pressing into the battery cover until the ventilation holes are concealed to prevent short-circuits (See Fig. 7).**

REGARDING LITHIUM-ION BATTERY TRANSPORTATION

When transporting a lithium-ion battery, please observe the following precautions.

⚠ WARNING

Notify the transporting company that a package contains a lithium-ion battery, inform the company of its power output and follow the instructions of the transportation company when arranging transport.

- Lithium-ion batteries that exceed a power output of 100 Wh are considered to be in the freight classification of Dangerous Goods and will require special application procedures.
- For transportation abroad, you must comply with international law and the rules and regulations of the destination country.
- If the BSL36B18 is installed in the power tool, the power output will exceed 100 Wh and the unit will be classified as Dangerous Goods for freight classification.

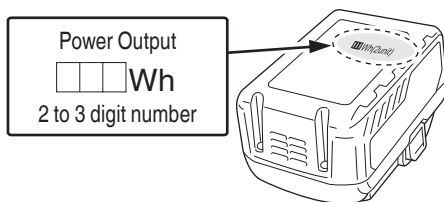


Fig. 5

**SAVE THESE INSTRUCTIONS
AND
MAKE THEM AVAILABLE TO OTHER USERS
AND
OWNERS OF THIS TOOL!**

FUNCTIONAL DESCRIPTION

NOTE

The information contained in this Instruction Manual is designed to assist you in the safe operation and maintenance of the power tool.

NEVER operate, or attempt any maintenance on the tool unless you have first read and understood all safety instructions contained in this manual.

Some illustrations in this Instruction Manual may show details or attachments that differ from those on your own power tool.

NAME OF PARTS

1. Cordless Rear Handle Circular Saw (C3607DWA)

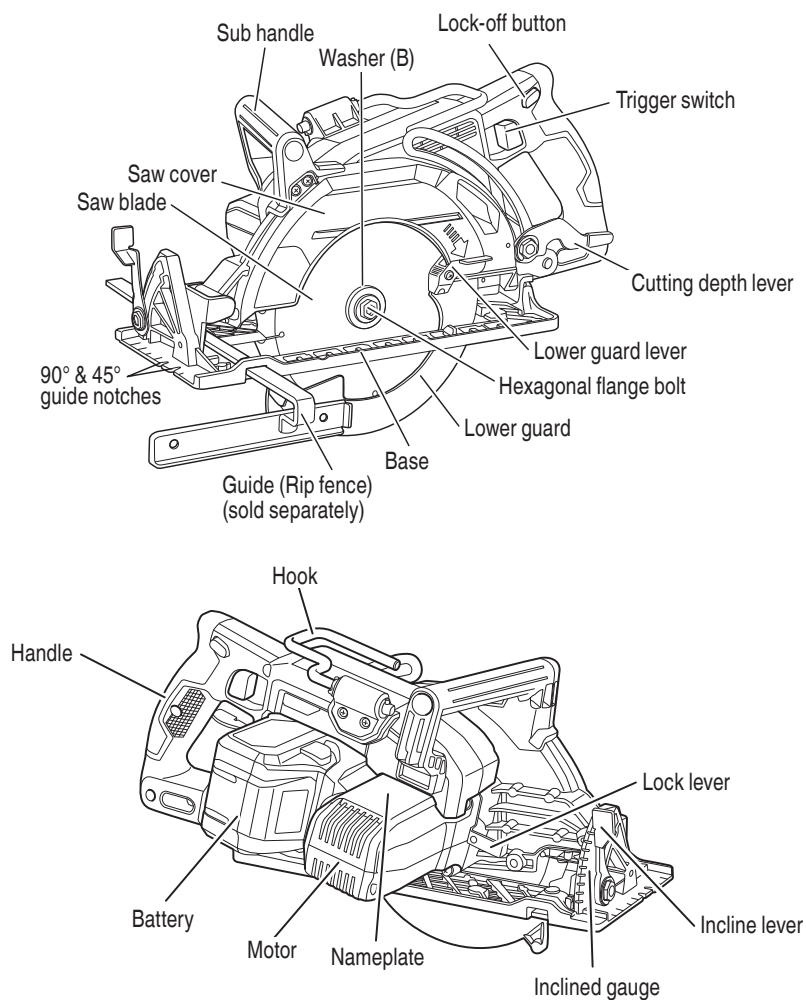
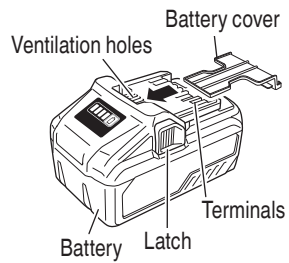


Fig. 6

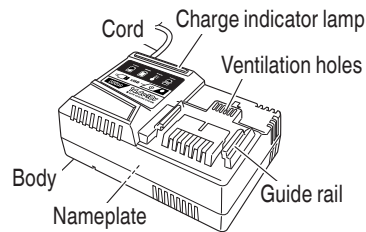
2. Battery



<BSL36B18>

Fig. 7

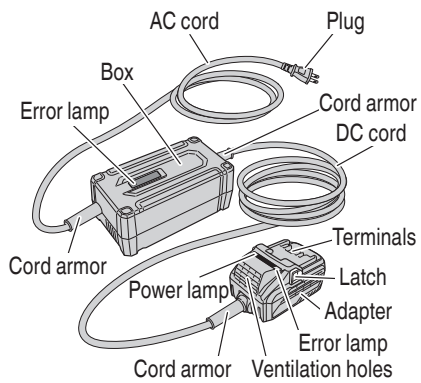
3. Battery Charger



<UC18YSL3>

Fig. 8

4. AC/DC Adapter
(optional accessories...sold separately)



<ET36A>

Fig. 9

SPECIFICATIONS

1. Cordless Rear Handle Circular Saw

Model	C3607DWA	
Voltage	36 V	
Motor	DC brushless motor	
No-load speed	5,100 /min	
Blade Size	7-1/4" (185 mm) D x 5/8" (15.9 mm) H	
Max. Cutting Depth	2-7/16" (62 mm)	
Max. Blade Angle	Adjustable 0°-53°	
Power supply	Type*	Li-ion battery Model BSL36B18 / AC/DC adapter Model ET36A (sold separately)
	Voltage	36 V
Weight	10.4 lbs. (4.7 kg) (BSL36B18 attached)	

* Existing batteries (BSL3660/3626/3620, BSL18xx and BSL14xx series, etc.) cannot be used with this tool. If using the AC/DC adapter, please read and understand its manual before operating the power tool.

2. Battery Charger

Model	UC18YSL3
Input power source	Single phase: AC 120 V 60 Hz
Charging time (At a temperature of 68°F (20°C))	BSL36B18 : Approx. 52 min
Charging voltage	DC 14.4–18 V
Charging current	DC 8.0 A
Weight	1.3 lbs. (0.6 kg)

NOTE: The charging time may vary according to temperature and power source voltage.

3. AC/DC Adapter

Model	ET36A
Input power source	Single phase: AC 120 V 60 Hz
Output voltage	36 V
Operating temperature range	14°F (-10°C)–104°F (40°C)
Weight	Adapter : 1.8 lbs. (0.8 kg) Box : 2.6 lbs. (1.2 kg)

Electronic control

- Soft-start
- Overload protection

This protection feature cuts off the power to the motor in the event of overloading of motor or a conspicuous reduction in rotational speed during operation.

When the overload protection feature has been activated, the motor may stop.

In this case, release the tool switch and eliminate causes of overloading.

After that you can use it again.
- Overheat protection

This protection feature cuts off the power to the motor and stops the power tool in the event of overheating of motor during operation.

When the overheat protection feature has been activated, the motor may stop.

In this case, release the tool switch and cool it down in a few minutes.

After that you can use it again.

ASSEMBLY AND OPERATION

APPLICATIONS

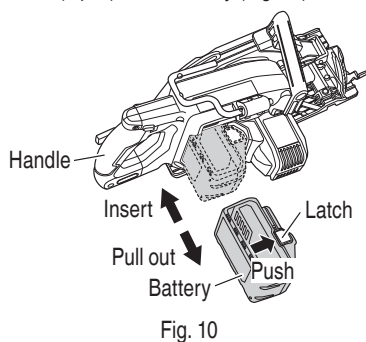
- Cutting various types of wood.

⚠ WARNING

- Use extra caution when cutting freshly cut green lumber, hardwood, wet wood, composite wood, pressure treated wood, wood containing knots or having other characteristics which may put a heavy load on the saw or blade. If this occurs, do not force the tool. Push the tool more slowly, but with enough force to keep working without much decrease in speed.
- To avoid serious injury, do not cut the metal with a metal cutting blade attached. Also, do not use for applications other than wood cutting.

REMOVAL AND INSTALLATION METHOD OF BATTERY

- How to install the battery.
Align the battery with the groove in tool handle and slip it into place. Always insert it all the way until it locks in place with a little click. If not, it may accidentally fall out of the tool, causing injury to you or someone around you (Fig. 10).
- How to remove the battery.
Withdraw battery from the tool handle while pressing the latch (2 pcs) of the battery (Fig. 10).



CHARGING METHOD

NOTE

Before plugging into the receptacle, make sure the following points.

- The power source voltage is stated on the nameplate.
- The cord is not damaged.

⚠ WARNING

Do not charge at voltage higher than indicated on the nameplate.

If charged at voltage higher than indicated on the nameplate, the charger will burn out.

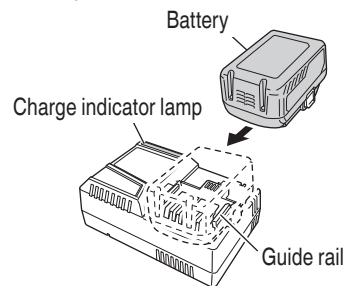
1. Connect the charger's power cord to a receptacle. When the power cord is connected, the charge indicator lamp will blink in red. (At 1-second intervals)



⚠ WARNING

Do not use the electrical cord if damaged. Have it repaired immediately.

2. Insert the battery to the battery charger. Firmly Insert the battery into the battery charger as shown in Fig. 11.



3. Charging
When inserting a battery in the charger, the charge indicator lamp will blink in blue.
When the battery becomes fully recharged, the charge indicator lamp will light up in green. (See Table 2)
- (1) Charge indicator lamp indication
The indications of the charge indicator lamp will be as shown in Table 2, according to the condition of the battery charger or the battery.

Table 2

Indications of the charge indicator lamp				
Charge indicator lamp (RED / BLUE / GREEN / PURPLE)	Before charging	Blinks (RED)	Lights for 0.5 seconds. Does not light for 0.5 seconds. (off for 0.5 seconds)	Plugged into power source
	While charging	Blinks (BLUE)	Lights for 0.5 seconds. Does not light for 1 second. (off for 1 second)	Battery capacity at less than 50%
		Blinks (BLUE)	Lights for 1 second. Does not light for 0.5 seconds. (off for 0.5 seconds)	Battery capacity at less than 80%
		Lights (BLUE)	Lights continuously	Battery capacity at more than 80%
	Charging complete	Lights (GREEN)	Lights continuously (Continuous buzzer sound: about 6 seconds)	
	Overheat standby	Blinks (RED)	Lights for 0.3 seconds. Does not light for 0.3 seconds. (off for 0.3 seconds)	Battery overheated. Unable to charge. (Charging will commence when battery cools)
	Charging impossible	Flickers (PURPLE)	Lights for 0.1 seconds. Does not light for 0.1 seconds. (off for 0.1 seconds) (Intermittent buzzer sound: about 2 seconds)	Malfunction in the battery or the charger

- (2) Regarding the temperature of the rechargeable battery.
The temperatures for rechargeable batteries are as shown in the Table 3, and batteries that have become hot should be cooled for a while before being recharged.

Table 3

Rechargeable batteries	Temperatures at which the battery can be recharged
BSL36B18	32°F–122°F (0°C–50°C)

- (3) Regarding recharging time (At 68°F (20°C))

Table 4 Charging time

Battery	Charger	UC18YSL3
BSL36B18		Approx. 52 min

NOTE

The recharging time may vary according to the ambient temperature.

4. Disconnect battery charger from the receptacle.

CAUTION

**Do not pull the plug out of the receptacle by pulling on the cord.
Make sure to grasp the plug when removing from receptacle to avoid damaging cord.**

5. Remove the battery from the battery charger. Supporting the battery charger with hand, pull out the battery from the battery charger.

NOTE

Be sure to pull out the battery from the battery charger after use, and then keep it.

Regarding electric discharge in case of new batteries, etc.

As the internal chemical substance of new batteries and batteries that have not been used for an extended period is not activated, the electric discharge might be low when using them the first and second time. This is a temporary phenomenon, and normal time required for recharging will be restored by recharging the batteries 2–3 times.

How to make the batteries perform longer

- (1) Recharge the batteries before they become completely exhausted.
When you feel that the power of the tool becomes weaker, stop using the tool and recharge its battery. If you continue to use the tool and exhaust the electric current, the battery may be damaged and its life will become shorter.
- (2) Avoid recharging at high temperatures.
A rechargeable battery will be hot immediately after use. If such a battery is recharged immediately after use, its internal chemical substance will deteriorate, and the battery life will be shortened. Leave the battery and recharge it after it has cooled for a while.

⚠ CAUTION

- **When the battery charger has been continuously used, the battery charger will be heated, thus constituting the cause of the failures. Once the charging has been completed, give 15 minutes rest until the next charging.**
- **If the battery is charged while it is heated because it has been left for a long time in a location subject to direct sunlight or because the battery has just been used, the charge indicator lamp of the charger lights for 0.3 seconds, does not light for 0.3 seconds (off for 0.3 seconds). In such a case, first let the battery cool, then start charging.**
- **When the charge indicator lamp flickers (at 0.2-second intervals), check for and take out any foreign objects in the charger's battery installation hole. If there are no foreign objects, it is probable that the battery or charger is malfunctioning. Take it to your authorized Service Center.**

HOW TO RECHARGE USB DEVICE

When an unexpected problem occurs, the data in a USB device connected to this product may be corrupted or lost. Always make sure to back up any data contained in the USB device prior to use with this product. Please be aware that our company accepts absolutely no responsibility for any data stored in a USB device that is corrupted or lost, nor for any damage that may occur to a connected device.

⚠ WARNING

- **Prior to use, check the connecting USB cable for any defect or damage. Using a defective or damaged USB cable can cause smoke emission or ignition.**

- **When the product is not being used, cover the USB port with the rubber cover. Buildup of dust etc. in the USB port can cause smoke emission or ignition.**

NOTE

- The time required for charging will be longer when a USB device and battery are being simultaneously charged.
- There may be an occasional pause during USB recharging.
- When a USB device is not being charged, turn the USB power switch OFF and remove the USB device from the charger.
Failure to do so may not only reduce the battery life of a USB device, but may also result in unexpected accidents.

- (1) Select a charging method
Depending on the charge method selected, either the battery is inserted into the charger or the power cord is plugged into an outlet.
 - Charging a USB device by battery (Fig. 12-a)
 - Charging a USB device from a electrical outlet (Fig. 12-b)
 - Charging a USB device and battery from a electrical outlet (Fig. 12-c)

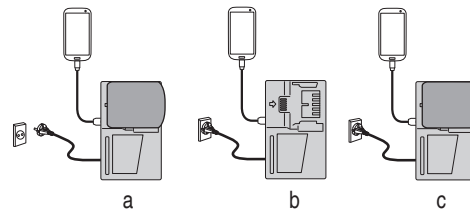


Fig. 12

- (2) Turn the USB power switch ON (Fig. 13)
When you turn the USB power switch ON, the USB power indicator lamp will light up.

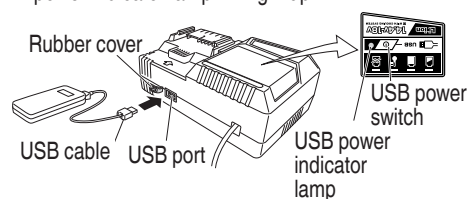


Fig. 13

- (3) Connect the USB cable. (Fig. 13)
Pull back the rubber cover and firmly plug in a commercially available USB cable (appropriate to the device being charged) into the USB port.
- When the power cord is not plugged into an outlet and the battery runs out of power, power output will stop and the USB power indicator lamp will shut off.
- When the USB power indicator lamp goes out, change the battery or plug the power cord into an electrical outlet.
- (4) When charging is completed
- The USB power indicator lamp will not go out when a USB device has been completely charged.
To verify charge status, check the USB device.
- Turn the USB power switch OFF and unplug the power cord from the electrical outlet. (Fig. 13)
- Remove the battery from the charger and place the rubber cover over the USB port.

PRIOR TO OPERATION

⚠ CAUTION
To avoid serious accident, ensure the switch is in the OFF position, and pull out the battery.

1. Check the work area environment
Check the work area to make sure that it is clear of debris and clutter.
Clear the area of unnecessary personnel. Ensure that lighting and ventilation is adequate.
2. Mounting the Saw Blade (Fig. 14)

⚠ WARNING

- Do not use a blade larger than 7-1/4" (185 mm) in diameter. To avoid injury from an accidental start, ensure the switch is in the OFF position and make sure to pull out the battery.
- Make sure the blade is installed correctly and is tight before operating.
- If the hexagonal flange bolt is worked using other tools than the provided wrench, excessive tightening and insufficient tightening may take place, resulting in injury.

- (1) Thoroughly remove any sawdust which has accumulated on the spindle, bolt and washers.
- (2) For mounting saw blade, the concave sides of both washers (A) and (B) must be fitted to the saw blade sides. Mount the saw blade on the spindle, and finally affix washer (B) (See Fig. 14)

- (3) To assure proper rotation direction of the saw blade, the arrow direction on the saw blade must coincide with the arrow direction on the blade cover.
- (4) Using the fingers, tighten the hexagonal bolt retaining the saw blade as much as possible. Then depress the lock lever, lock the spindle, and thoroughly tighten the bolt.
- (5) Confirm that the lock lever is in the original position.

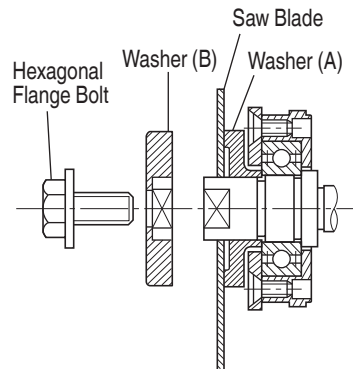


Fig. 14

⚠ CAUTION
After mounting the saw blade, reconfirm that the lock button is firmly secured in the prescribed position.

3. Dismounting the saw blade

⚠ WARNING

The tool becomes hot after tool operation. To avoid burns, the blade replacement work should be done after tool has cooled sufficiently.

⚠ CAUTION

Never touch the saw blade immediately after use. The metal is hot and can easily burn your skin.

- (1) Set the cutting volume at maximum, and place the Circular Saw as shown in Fig. 15.

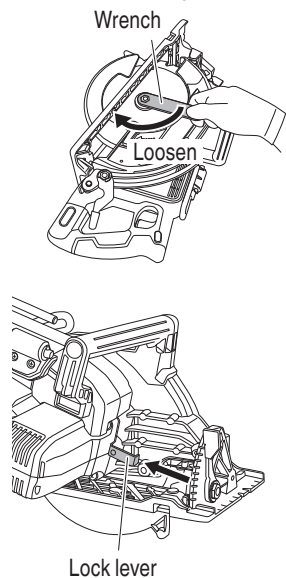


Fig. 15

- (2) Depress the lock lever, lock the spindle, and remove the hexagonal flange bolt and washer (B) with the wrench.
- (3) While holding the lower guard lever to keep the lower guard fully retracted into the saw cover, remove the saw blade (Fig. 16).

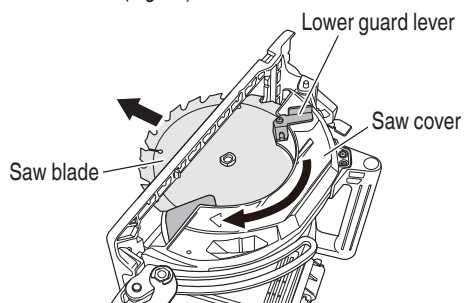


Fig. 16

4. Check performance of lower guard

⚠ WARNING
Make absolutely sure that the lower guard is not fixed. Also, check and see if it can move smoothly. If the saw blade is kept exposed, injury can result.

The lower guard (refer to Fig. 17) serves to protect your body from coming into contact with the saw blade. Make absolutely certain that the cover smoothly performs to cover the saw blade. If the lower guard should not move smoothly, never use it without repairing it.

In such a case, get in touch with the store where you bought the circular saw or the metabo HPT AUTHORIZED SERVICE CENTER for necessary repair.

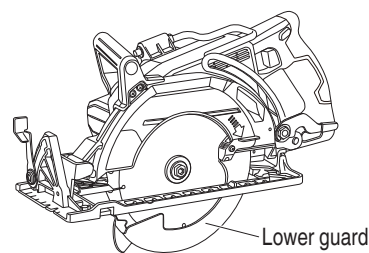


Fig. 17

5. Check for proper operation of the brake
 This circular saw features an electric brake that functions when the switch is released. Before using the circular saw, ensure that the electric brake functions properly. If it does not, bring the tool to a metabo HPT AUTHORIZED SERVICE CENTER.
6. Prepare a wooden work bench (Fig. 18)
 Since the saw blade will extend beyond the lower surface of the lumber, place the lumber on a work bench when cutting. If a square block is utilized as a work bench, select level ground to ensure it is properly stabilized. An unstable work bench will result in hazardous operation.

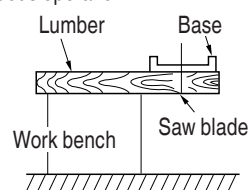


Fig. 18

⚠ CAUTION
To avoid possible accident, always ensure that the portion of lumber remaining after cutting is securely anchored or held in position.

7. Check if the cutting depth lever and incline lever are tightened.
 If the the cutting depth lever to adjust cutting depth (Fig. 21) and the incline lever to adjust angle of inclination (Fig. 22) are loose, injury can result. Make sure that they are tightened securely.

- 8. Eye protection
Always wear eye protection with side shields that meets the requirements of ANSI Standard Z87.1. Ordinary eyeglasses do not provide adequate protection.

⚠ WARNING
Operating the tool without wearing proper eye protection may result in serious injury.

- 9. Check battery insertion

⚠ WARNING
If the battery is inserted while the power switch is in the ON position, the power tool will start operating immediately, inviting serious accident.

⚠ CAUTION
Until the battery locks in place with a little click, if not, it may accidentally fall out of the tool causing injury to you or someone around you.

- 10. Trial run
After confirming that no one is standing behind, the power tool start and confirm that no operating abnormalities exist before attempting a cutting operation.
- 11. Inspect the rotating stability of the saw blade.
For precise cutting, rotate the saw blade and check for deflection to confirm that the blade is not noticeably unstable; otherwise vibrations might occur and cause an accident.
- 12. Using hook

⚠ WARNING
To reduce the risk of injury from the saw falling on operators or bystanders, make sure the saw is supported securely when using the hook to hang the saw from a rafter, joist or other elevated support.

- (1) Turn the hook away from the saw body to hang the saw from a rafter, joist or other elevated support. (Fig. 19)

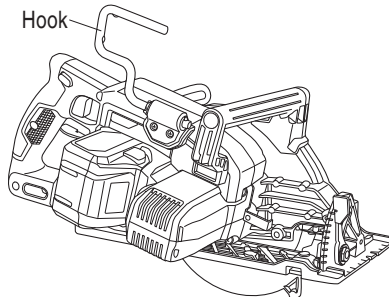


Fig. 19

⚠ WARNING
To reduce the risk of injury, do not use the saw with the hook rotated below the base.

- (2) When not in use, return the hook back to the storage position until it latches against the saw body.

- 13. Using sub handle
When operating the saw, use both hands to hold the saw firmly, one hand on the sub handle and the other hand on the handle, to increase the stability of the saw operation to avoid the possible kickback occurred.

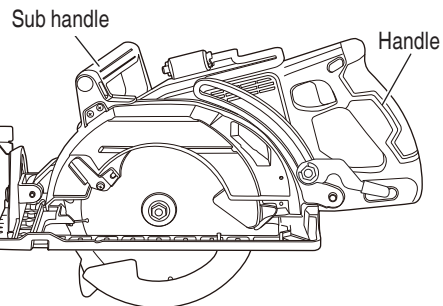


Fig. 20

ADJUSTING THE SAW PRIOR TO USE

⚠ WARNING
To avoid serious accidents, ensure the switch is in OFF position, and pull out the battery.

- 1. Adjusting the cutting depth (Fig. 21)

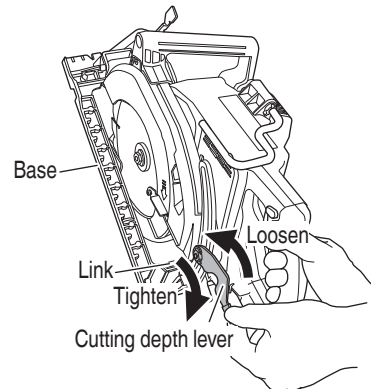


Fig. 21

⚠ WARNING

If the cutting depth lever is loose, injury can result. Tighten it securely after adjustment.

To adjust cutting depth, loosen the cutting depth lever and, while holding the base with one hand, move the main body up and down to obtain the prescribed cutting depth. After adjusting to the prescribed cutting depth, tighten the cutting depth lever securely.

NOTE

The scale on the side of the base is accurate only with the maximum cutting depth.

2. Adjusting the angle of inclination

⚠ WARNING

If the incline lever is loose, injury can result. Tighten it securely after adjustment.

You can incline saw blade from 0° to a maximum angle of 53° in relation to the base.

As shown in Fig. 22 by loosening the incline lever on the bevel scale, the saw blade may be inclined to an angle of 45° in relation to the base.

If you use inclination angle of over 45°, as shown in Fig. 23 move the incline lever to outside, the saw blade may be inclined to a maximum angle of 53° in relation to the base.

Always ensure that the incline lever is thoroughly tightened after making the desired adjustment.

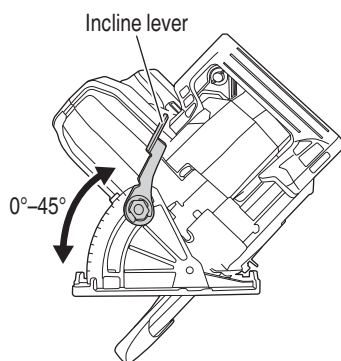


Fig. 22

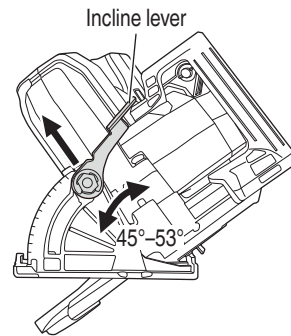


Fig. 23

3. 90° (0°) Bevel adjustment (Fig. 24)

⚠ WARNING

To ensure accurate cuts, alignment should be checked and adjustments made prior to use.

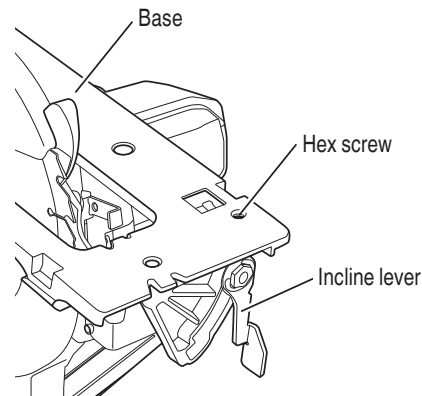


Fig. 24

- (1) Lift the incline lever to set the saw to 90° (0°) and then tighten the lever.
- (2) Retract the lower guard and place the saw upside down.
- (3) Place a combination square against the blade and base to check whether the blade is 90° to the base.
- (4) If the blade is not 90° to the base, turn the hex screw on the bottom of the base by using 3 mm hex wrench to adjust.
- (5) Check the accuracy of the adjustment by an actual cut on a scrap piece of material.

OPERATION

⚠ WARNING

- Never touch the moving parts.
- Never operate the circular saw with the saw blade turned upward or to the side.
- Do not fix and secure the lock-off button. Besides, keep your finger off the trigger switch when the circular saw is being carried around. Otherwise, the main body switch can be inadvertently turned ON, resulting in unexpected accidents.
- Do not use any abrasive wheels.
- Use only blade diameter specified on the product nameplate.
- Should the saw blade be stopped or make an abnormal noise during operation, turn off the switch immediately.
- Don't remove circular saw from workpiece during a cut while the saw blade is moving.
- Always wear eye protection with side shields that meets the requirements of ANSI Standard Z87.1. Ordinary eyeglasses do not provide adequate protection.
- Avoid cutting any material like metal, etc., that give off sparks.

⚠ CAUTION

- Pull out the battery after completing operation.
- To extend the lifetime, the lithium-ion battery equips with the protection function to stop the output. Therefore, if the tool is overloaded, the motor may stop. However, this is not the trouble but the result of protection function. In this case, release the switch of tool and eliminate the causes of overloading.
- Before use, check to see if the lock-off button moves smoothly.

NOTE

Take care not to lock the motor. If the motor is locked, immediately turn the power off. If the motor is locked for a while, the motor or battery may be burnt.

1. Check if saw blade is tightened
While the saw blade is tightened securely for immediate use when it is assembled at the factory, be sure to check it out again for caution's sake. A bolt can be tightened when it is turned clockwise. Use the provided wrench to check it out. For further details, refer to the item of [PRIOR TO OPERATION] on Page 18.

2. Check if the lever is tightened
If the cutting depth lever (Fig. 21) is loose, injury can result. Make sure that it is tightened securely.
3. Switch operation (Fig. 25)
For safe operation of the machine, a "lock-off button" is provided on the side of a handle. If the "trigger switch" is pulled in a state where "lock-off button" is pressed in the direction of the arrow mark, the main switch can be turned ON. After the switch is on, the saw blade will continue to operate as long as you pull on the trigger switch, even if you release the lock-off button.

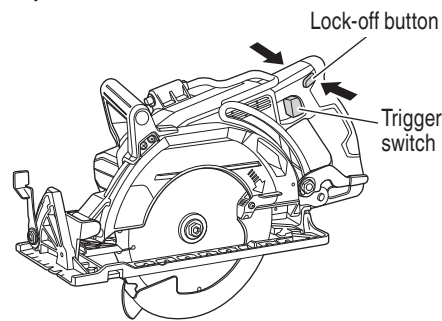


Fig. 25

4. About Remaining Battery Indicator
You can check the battery's remaining capacity by pressing the remaining battery indicator switch to light the indicator lamp. (Fig. 26, Table 5)
The indicator will shut off approximately 3 seconds after the remaining battery indicator switch is pressed. It is best to use the remaining battery indicator as a guide since there are slight differences such as ambient temperature and the condition of the battery. Also, the remaining battery indicator may vary from those equipped to a tool or charger.

Remaining battery indicator lamp Remaining battery indicator switch

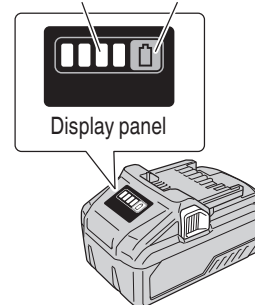






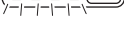


Fig. 26

Table 5

State of lamp	Battery Remaining Power
	Lights ; The battery remaining power is over 75%
	Lights ; The battery remaining power is 50%–75%.
	Lights ; The battery remaining power is 25%–50%.
	Lights ; The battery remaining power is less than 25%
	Blinks ; The battery remaining power is nearly empty. Recharge the battery soonest possible.
	Blinks ; Output suspended due to high temperature. Remove the battery from the tool and allow it to fully cool down.
	Blinks ; Output suspended due to failure or malfunction. The problem may be the battery so please contact your dealer.

As the remaining battery indicator shows somewhat differently depending on ambient temperature and battery characteristics, read it as a reference.

NOTE

Do not give a strong shock to the switch panel or break it. It may lead to a trouble.

5. Cutting procedures

⚠ CAUTION

- Recheck that the saw blade is securely clamped.
- Confirm that the incline lever and the cutting depth lever are adjusted correctly.

- (1) The front of the base has a 90° guide notch and a 45° guide notch for vertical and bevel cutting. The guide notches enable you to guide the saw along the cutting lines marked on the workpiece.

Also, the saw has the inner guide notches located on the insides of the base as shown in Fig. 27 to keep the straight cutting.

- (2) When the base is not inclined, use the right side of the notch.
If the base is inclined (45 degrees), use the left side of the notch (Fig. 27).

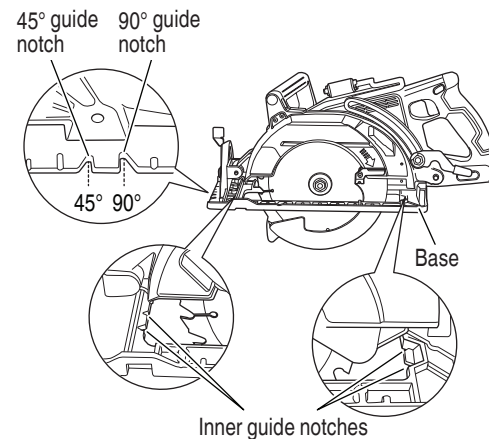


Fig. 27

NOTE

When using the saw at the inclination of 45 degrees, use both the marks of on the bevel plate and [45] on the inclined gauge of the base (Fig. 28).

What's more, if it is absolutely essential to use the saw at a precise angle, make adjustment using a protractor, etc.

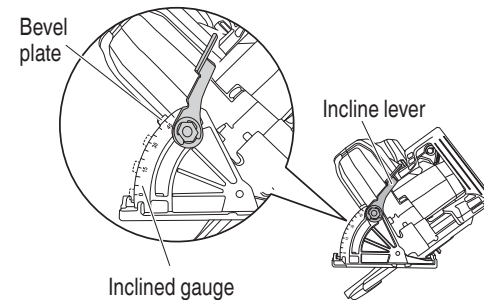


Fig. 28

- (3) Ensure that the switch is turned to the ON position before the saw blade comes in contact with the lumber. The switch is turned ON when the trigger switch is squeezed; and OFF when the trigger switch is released. Moving the saw straight at a constant speed will produce optimum cutting. (Fig. 29)

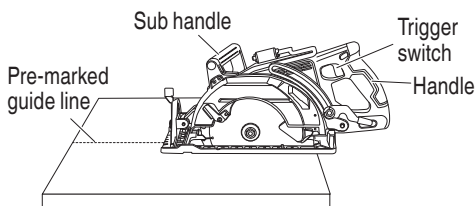


Fig. 29

⚠ CAUTION

- Before starting to saw, ensure that the saw blade has reached full speed revolution.
- When finished with a job, pull out the battery from the main body.
- To avoid abnormal heating of the blade tip or damage to the saw blade, do not twist or apply excessive force to the saw blade when cutting. Let the blade move forward smoothly.
- In the situation where the circular saw is continuously operated while replacing the battery with stocked spare batteries one after another, the motor tends to overheat. Therefore, whenever the housing becomes hot, give the saw a break for a while.
- Avoid cutting operation in a state where the base bottom is afloat from the material being cut. Otherwise, the motor can get locked.

6. Ripping cut

⚠ WARNING

To avoid serious accident, make sure that the guide (rip fence) does not touch the saw blade before use.

Ripping means to cut wider boards into narrower strips – cutting grain lengthwise. Therefore, it is recommended to use the metabo HPT guide (rip fence) (optional accessory, refer to page 31) to provide the support and cut boards into the same width. (Fig. 30)

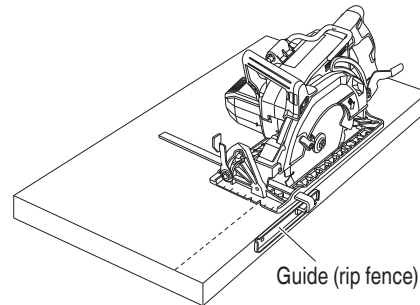


Fig. 30

7. Pocket cutting

⚠ WARNING

- Never secure the lower guard in a raised position. Never move the saw backwards when pocket cutting. This may cause the saw to raise up off the work surface which could cause injury.
- To avoid serious accident, ensure the switch is in the OFF position, and pull out the battery before any adjustment.
- Never tie or wedge the lower guard in a raised position.

- (1) Mark the desired cutting area clearly with lines all side. (See Fig. 31)

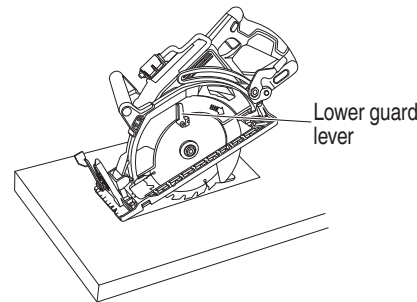


Fig. 31

- (2) Set depth adjustment according to material to be cut.
 (3) Push the lower guard lever all the way back so the blade is exposed as shown in Fig. 31.
 (4) Tilt the saw forward and align the notch (Fig. 27) with the pre-marked guide line.
 (5) Release the lower guard lever. When the lower guard contacts the work piece surface, it will be in the proper position to open freely when cutting is commenced.

- (6) Holding the saw in position, with the blade not contacting the work piece surface, pull the trigger switch.
- (7) After the saw has reached full speed, gradually lower rear end of the saw until its base rests on the work surface.
- (8) Advance saw along the cutting line up to the corner.
- (9) Release the trigger switch and allow the blade to stop completely before withdrawing the blade from the work piece.
- Never under any circumstances pull the saw backwards while the blade is in motion, as kickback may result.
- (10) Use a jig saw or hand saw to cut the corners out clean.
- (11) When starting each new cut, repeat as above.

⚠ WARNING

Never hold the workpiece in your hands or across your leg while cutting. Secure the workpiece to a stable platform. It is important to support the work properly to minimise body exposure, blade binding, or loss of control.

- 8. Appropriate support for cutting large workpiece
DON'T support the large workpiece away from the cut.

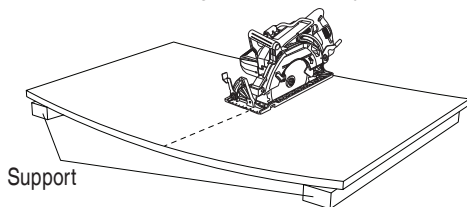


Fig. 32-a

ALWAYS support the large workpiece **near** the cut.

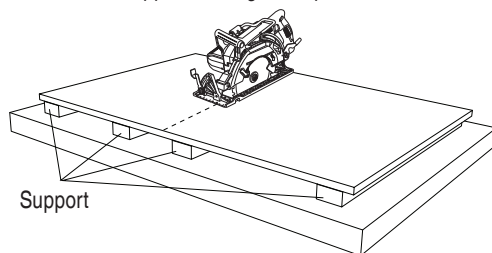


Fig. 32-b

When the support is away from the cutting path, it may cause the large workpiece to be curved. In such case, the blade is likely to be bound, causing a kickback and increasing the load to the motor. (Fig. 32-a)

Therefore, to avoid the possible personal injury or kickback occurred, **ALWAYS** cut the large workpiece with the appropriate support which shall be near the cutting path. (Fig. 32-b)

- 9. Regulating the guide (Rip fence) (sold separately)
Install the wing bolt and lock spring on the base. Insert the guide into the base, move it left and right and adjust the cutting position. Tighten the wing bolt and fix the guide. The guide can be installed either from the left or the right side of the main body.

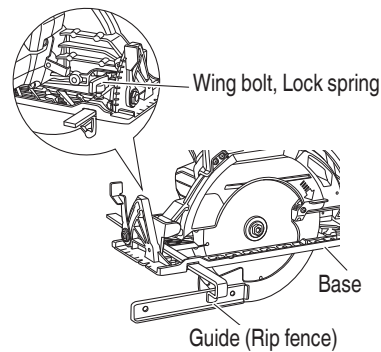


Fig. 33

- 10. Using the dust collector
To use the vacuum cleaner to gather up saw dust, attach the suction hose to the dust collector which is attached to the main unit by M4 screw.

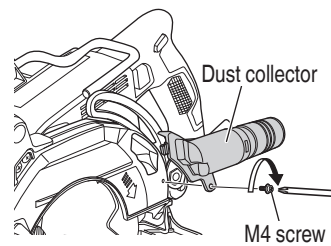






















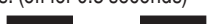



Fig. 34

ABOUT ERROR LAMP OF AC/DC ADAPTER

Table 6

Indications of the indicator lamp					
	Status	Power Lamp (GREEN)	Error lamp (RED)	Indicates	
Adapter	Before use	Blinks 	Light off 	Plugged into power source	
	Power on	Lights 	Light off 	Tool can be used	
	Power suspended	Blinks 	Blinks 	Lights for 0.5 seconds. Does not light for 0.5 seconds. (off for 0.5 seconds)   	Adapter cannot be used due to high temperature. (Can be used once the adapter is cooled)
		Lights 		Lights for 0.1 seconds. Does not light for 0.1 seconds. (off for 0.1 seconds)         	Overload
Box	Power suspended		Blinks 	Lights for 0.5 seconds. Does not light for 0.5 seconds. (off for 0.5 seconds)   	Cannot be used because the temperature in the box is too high (Can be used once the box is cooled)

MAINTENANCE AND INSPECTION

⚠ WARNING

Be sure to turn off the switch and pull out the battery before doing any inspection or maintenance.

1. Inspecting the saw blade
Continued use of a dull or damaged blade will result in reduced cutting efficiency and may cause overloading of the motor. Replace the blade with a new one as soon as excessive abrasion is noted.

⚠ CAUTION

If a dull saw blade is used, reactive force is increased during cutting operation. Avoid the use of the dull saw blade without repair.

2. Check the Screws
Loose screws are dangerous. Regularly inspect them and make sure they are tight.

⚠ CAUTION

Using this power tool with loosen, screws is extremely dangerous.

3. Motor unit maintenance
The motor winding is an important part of this tool. Avoid damaging and be careful to avoid contact with cleaning oil or water.
After 50 hours of use, clean the motor by blowing into the ventilation holes of the motor housing with dry air from an air gun or other tool (Fig. 35).
Dust or particle accumulation in the motor can result in damage.
4. Inspecting and maintaining the lower guard
Always make sure that the lower guard moves smoothly.
In the event of any malfunction, immediately repair the lower guard.
For cleaning and maintenance, use an air gun or other tool to blow clean the space between the lower guard and gear cover as well as the rotation part of the lower guard with dry air (Fig. 35).
Doing so is effective for the emission of chips or other particles.
Accumulation of chips or other particles around the lower guard may result in malfunction or damage.

⚠ WARNING

To prevent dust inhalation or eye irritation, wear protective safety goggles and a dust mask when using an air gun or other tool to clean the lower guard, ventilation holes or other parts of the product.

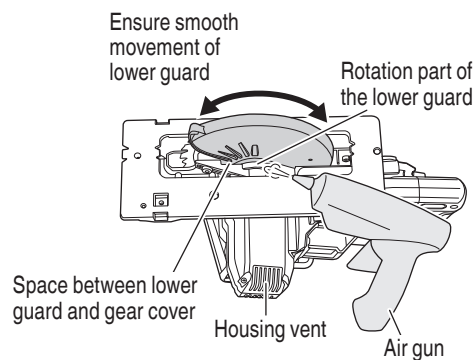


Fig. 35

5. Clean inside the saw cover
Periodically inspect and clean the saw cover to ensure that there is no accumulation of chips or other particles.
 6. Check for dust
Dust may be removed with a clean rag or a cloth dampened with soapy water.
Do not use bleach, chlorine, gasoline or thinner, for they may damage the plastics.
 7. Inspection of terminals (tool and battery)
Check to make sure that swarf and dust have not collected on the terminals.
On occasion check prior, during and after operation.
- ⚠ CAUTION**
Remove any swarf or dust which may have collected on the terminals.
Failure to do so may result in malfunction.
8. Lubrication
The bearings in this tool have been sufficiently lubricated with quality lubricating oil, taking into account the expected life of this tool under normal operating conditions. As a result, no further lubrication is necessary.

9. Disposal of the exhausted battery

⚠ WARNING

Do not dispose of the exhausted battery. The battery may explode if it is incinerated. The battery is recyclable. At the end of its useful life, under various state and local laws, it may be illegal to dispose of this battery into the municipal waste stream. Check with your local solid waste officials for details in your area for recycling options or proper disposal.

Important notice on the batteries for the metabo HPT cordless power tools

Please always use one of our designated genuine batteries. We cannot guarantee the safety and performance of our cordless power tool when used with batteries other than these designated by us, or when the battery is disassembled and modified (such as disassembly and replacement of cells or other internal parts).

10. Storage

Storing in a place below 104°F (40°C) and out of the reach of children.

NOTE

Storing lithium-ion batteries

Make sure the lithium-ion batteries have been fully charged before storing them.

Prolonged storage (3 months or more) of batteries with a low charge may result in performance deterioration, significantly reducing battery usage time or rendering the batteries incapable of holding a charge.

However, significantly reduced battery usage time may be recovered by repeatedly charging and using the batteries two to five times.

If the battery usage time is extremely short despite repeated charging and use, consider the batteries dead and purchase new batteries.

11. Service and repairs

All quality power tools will eventually require servicing or replacement of parts because of wear from normal use. To assure that only genuine replacement parts must be used, all service and repairs must be performed by a metabo HPT AUTHORIZED SERVICE CENTER, ONLY.

MODIFICATIONS:

metabo HPT Power Tools are constantly being improved and modified to incorporate the latest technological advancements.

Accordingly, some parts may be changed without prior notice.

TROUBLESHOOTING GUIDE

⚠ WARNING

- To avoid injury from an accidental start, turn the switch OFF and pull out the battery from the power source or remove the battery from the main body before making any adjustments.
- All electrical or mechanical repairs should be done only by qualified service technicians. Contact metabo HPT Authorized Service Center.

1. Power tool

Symptom	Possible cause	Remedy
Tool doesn't run	No remaining battery power	Charge the battery.
	Battery isn't fully installed.	Push the battery in until you hear a click.
Tool suddenly stopped	Tool was overburdened	Get rid of the problem causing the overburden.
	Overload protection is in operation.	
	The battery is overheated.	Let the battery cool down.
Cannot be inclined	The incline lever is not loosened.	Try inclining after loosening the incline lever. Tighten the loosened parts after making the necessary adjustments.
Doesn't cut well	The saw blade is worn or missing teeth.	Replace with a new saw blade.
	The bolt is loose.	Firmly tighten the bolt.
	The saw blade is installed backwards.	Install the saw blade in the proper direction.
Switch can't be pulled	The lock-off button is not pushed in enough.	Push the lock-off button in all the way.
Sawdust discharge is poor	Sawdust has accumulated in the saw cover.	Remove the sawdust inside the saw cover.
Battery cannot be installed	Attempting to install a battery other than that specified for the tool.	Please install a multi volt type battery.

2. Charger

Symptom	Possible cause	Remedy
The charge indicator lamp is rapidly flickers purple, and battery charging doesn't begin.	The battery is not inserted all the way.	Insert the battery firmly.
	There is foreign matter in the battery terminal or where the battery is attached.	Remove the foreign matter.
The charge indicator lamp blinks red, and battery charging doesn't begin.	The battery is not inserted all the way.	Insert the battery firmly.
	The battery is overheated.	If left alone, the battery will automatically begin charging if its temperature decreases, but this may reduce battery life. It is recommended that the battery be cooled in a well-ventilated location away from direct sunlight before charging it.
Battery usage time is short even though the battery is fully charged.	The battery's life is depleted.	Replace the battery with a new one.

Symptom	Possible cause	Remedy
The battery takes a long time to charge.	The temperature of the battery, the charger, or the surrounding environment is extremely low.	Charge the battery indoors or in another warmer environment.
	The charger's vents are blocked, causing its internal components to overheat.	Avoid blocking the vents.
	The cooling fan is not running.	Contact a metabo HPT Authorized Service Center for repairs.
The USB power lamp has switched off and the USB device has stopped charging.	The battery's capacity has become low.	Replace the battery with one that has capacity remaining.
		Plug the charger's power plug into an electric socket.
USB power lamp does not switch off even though the USB device has finished charging.	The USB power lamp lights up green to indicate that USB charging is possible.	This is not a malfunction.
It is unclear what the charging status of a USB device is, or whether its charging is complete.	The USB power lamp does not switch off even when charging is complete.	Examine the USB device that is charging to confirm its charging status.
Charging of a USB device pauses midway.	The charger was plugged into an electrical socket while the USB device was being charged using the battery as the power source.	This is not a malfunction. The charger pauses USB charging for about 5 seconds when it is differentiating between power sources.
	A battery was inserted into the charger while the USB device was being charged using a power socket as the power source.	
Charging of the USB device pauses midway when the battery and the USB device are being charged at the same time.	The battery has become fully charged.	This is not a malfunction. The charger pauses USB charging for about 5 seconds while it checks whether the battery has successfully completed charging.
Charging of the USB device doesn't start when the battery and the USB device are being charged at the same time.	The remaining battery capacity is extremely low.	This is not a malfunction. When the battery capacity reaches a certain level, USB charging automatically begins.

3. AC/DC adapter

Problem	Possible Cause	Possible Solution
The adapter's error lamp is blinking red and the tool does not operate when switched on.	Output is suspended because the tool or the AC/DC adapter is overheated.	Allow the tool and AC/DC adapter to sufficiently cool down.
The adapter's error lamp rapidly blinks red and the motor does not operate when the tool is switched on.	Output is suspended because the tool is overloaded.	Remove the cause of the overload.
During protective operation, the LED will blink differently for AC/DC adapter use and battery use.		This is not a malfunction.

ACCESSORIES

⚠ WARNING

ALWAYS use Only authorized metabo HPT replacement parts and accessories. Never use replacement parts or accessories which are not intended for use with this tool. Contact metabo HPT if you are not sure whether it is safe to use a particular replacement part or accessory with your tool.

The use of any other attachment or accessory can be dangerous and could cause injury or mechanical damage.

NOTE

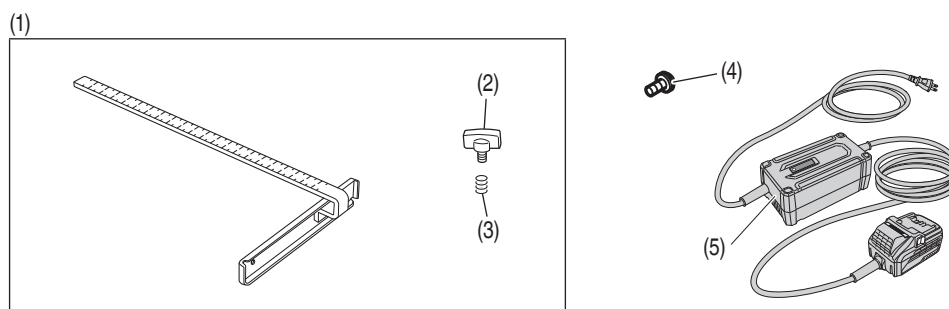
Accessories are subject to change without any obligation on the part of the metabo HPT.

STANDARD ACCESSORIES

C3607DWA (WCK)	1. Saw Blade 1					
	<table border="1"> <thead> <tr> <th>External Dia.</th> <th>Hole Dia.</th> <th>Code No.</th> </tr> </thead> <tbody> <tr> <td>7-1/4" (185 mm)</td> <td>5/8" (15.9 mm)</td> <td>115750M</td> </tr> </tbody> </table>	External Dia.	Hole Dia.	Code No.	7-1/4" (185 mm)	5/8" (15.9 mm)
External Dia.	Hole Dia.	Code No.				
7-1/4" (185 mm)	5/8" (15.9 mm)	115750M				
	2. Wrench (Code No. 957683)..... 1					
	3. Dust collector set (Code No. 324887) (includes (4))..... 1					
	4. Battery charger (UC18YSL3)..... 1					
	5. Battery (BSL36B18) 1					
	6. Battery cover (Code No. 329897)..... 1					
	7. Bag (Code No. 371108) 1					
C3607DWA (NN)	Battery, battery charger, battery cover and bag are not contained.					

OPTIONAL ACCESSORIES.....SOLD separately

- | | |
|---|---|
| (1) Guide (rip fence) (Code No. 378052) | (4) M4 screw (for dust collector) (Code No. 935196) |
| (2) Wing Bolt (Code No. 301806) | (5) AC/DC adapter (ET36A) |
| (3) Lock Spring (Code No. 947859) | |



NOTE

Specifications are subject to change without any obligation on the part of the metabo HPT.

INFORMATIONS IMPORTANTES DE SÉCURITÉ

Lire et comprendre toutes les précautions de sécurité, les avertissements et les instructions de fonctionnement dans ce mode d'emploi avant d'utiliser ou d'entretenir cet outil motorisé.

La plupart des accidents causés lors de l'utilisation ou de l'entretien de l'outil motorisé proviennent d'un non respect des règles ou précautions de base de sécurité. Un accident peut la plupart du temps être évité si l'on reconnaît une situation de danger potentiel avant qu'elle ne se produise, et en observant les procédures de sécurité appropriées.

Les précautions de base de sécurité sont mises en évidence dans la section "SECURITE" de ce mode d'emploi et dans les sections qui contiennent les instructions de fonctionnement et d'entretien.

Les dangers qui doivent être évités pour prévenir des blessures corporelles ou un endommagement de la machine sont identifiés par AVERTISSEMENTS sur l'outil motorisé et dans ce mode d'emploi.

NE JAMAIS utiliser cet outil motorisé d'une manière qui n'est pas spécifiquement recommandée par metabo HPT.

SIGNIFICATION DES MOTS D'AVERTISSEMENT

AVERTISSEMENT indique des situations potentiellement dangereuses qui, si elles sont ignorées, pourraient entraîner la mort ou de sérieuses blessures.

PRÉCAUTION indique des situations dangereuses potentielles qui, si elles ne sont pas évitées, peuvent entraîner de mineures et légères blessures ou endommager la machine.

REMARQUE met en relief des informations essentielles.

SECURITE

AVERTISSEMENTS DE SÉCURITÉ GÉNÉRAUX CONCERNANT LES OUTILS ÉLECTRIQUES

⚠ AVERTISSEMENT

Lire toutes les consignes de sécurité, instructions, illustrations et spécifications fournies avec le présent outil électrique.

Le non-respect de toutes les instructions ci-dessous peut entraîner une décharge électrique, un incendie et/ou de graves blessures.

Conservez tous les avertissements et toutes les instructions pour vous y référer ultérieurement.

Le terme "outil électrique", utilisé dans les avertissements, se réfère aux outils électriques (câblé) ou aux outils à piles (sans fil).

- | | |
|--|--|
| <p>1) Sécurité de l'aire de travail</p> <p>a) Maintenir l'aire de travail propre et bien éclairée.
Les endroits encombrés ou sombres sont propices aux accidents.</p> <p>b) Ne pas utiliser d'outils électriques en présence de liquides, gaz ou poussière inflammables, au risque de provoquer une explosion.
Les outils électriques créent des étincelles susceptibles d'enflammer la poussière.</p> <p>c) Ne pas laisser les enfants et les visiteurs s'approcher de vous lorsque vous utiliser un outil électrique.
Les distractions peuvent faire perdre le contrôle.</p> | <p>2) Sécurité électrique</p> <p>a) Les prises de l'outil électrique doivent correspondre à la prise secteur. Ne jamais modifier la prise. Ne pas utiliser d'adaptateurs avec les outils électriques mis à la masse.
Les prises non modifiées et les prises secteurs correspondantes réduisent les risques de choc électrique.</p> <p>b) Éviter tout contact avec les surfaces mises à la masse telles que les tuyaux, radiateurs, bandes et réfrigérateurs.
Le risque de choc électrique est accru en cas de mise à la masse du corps.</p> <p>c) Ne pas exposer les outils électriques à la pluie ou à des conditions humides.
Si l'eau pénètre dans l'outil, cela augmente les risques de choc électrique.</p> |
|--|--|

- d) **Ne pas utiliser le cordon à tort. Ne jamais utiliser le cordon pour transporter ou débrancher l'outil électrique.**
Maintenir le cordon loin de la chaleur, de l'huile, des bords pointus ou des pièces mobiles.
 Les cordons endommagés ou usés augmentent les risques de choc électrique.
- e) **En cas d'utilisation d'un outil électrique à l'extérieur, utiliser un cordon de rallonge adapté à un usage extérieur.**
 L'utilisation d'un dispositif de protection contre l'usage extérieur réduit les risques de choc électrique.
- f) **Si vous devez utiliser un outil électrique dans un endroit humide, utilisez une alimentation protégée contre les courants résiduels.**
 L'utilisation d'un dispositif de protection contre les courants résiduels réduit le risque de choc électrique.
- 3) **Sécurité personnelle**
- a) **Restez alerte, regarder ce que vous faites et usez de votre bon sens en utilisant un outil électrique.**
Ne pas utiliser d'outil électrique si vous êtes sous l'influence de drogues, d'alcool ou de médicaments.
 Pendant l'utilisation d'outils électrique, un instant d'inattention peut entraîner des blessures graves.
- b) **Utiliser un équipement de protection individuelle. Toujours porter des verres de protection.**
 Un équipement de protection tel qu'un masque anti-poussière, des chaussures de sécurité antidérapantes, un casque de protection ou une protection auditive, utilisé dans des conditions appropriées réduira les risques de blessures.
- c) **Empêcher les démarrages intempestifs. Veiller à ce que l'interrupteur soit en position d'arrêt avant de brancher à une source d'alimentation et/ou une batterie, de ramasser l'outil au sol ou de le transporter.**
 Transporter les outils électriques avec le doigt sur l'interrupteur ou brancher les outils électriques avec l'interrupteur en position de marche peut entraîner des accidents.
- d) **Retirer toute clé de sécurité ou clé avant de mettre l'outil électrique en marche.**
 Laisser une clé ou une clé de sécurité sur une partie mobile de l'outil électrique peut engendrer des blessures.
- e) **Ne pas trop se pencher. Toujours garder une bonne assise et un bon équilibre pendant le travail.**
 Cela permet un meilleur contrôle de l'outil électrique dans des situations imprévisibles.
- f) **Porter des vêtements adéquats. Ne pas porter de vêtements amples ni de bijoux. Ne pas approcher vos cheveux et vos vêtements des pièces mobiles.**
 Les vêtements amples ou les cheveux longs peuvent se prendre dans les pièces mobiles.
- g) **En cas de dispositifs destinés au raccordement d'installations d'extraction et de recueil de la poussière, veiller à ce qu'ils soient correctement raccordés et utilisés.**
 L'utilisation d'un dispositif de collecte de la poussière peut réduire les dangers associés à la poussière.
- h) **Ne pas laisser la familiarité due à une utilisation fréquente des outils vous faire baisser la garde et ignorer les principes de sécurité de l'outil.**
 Une fraction de seconde d'inattention peut causer de graves blessures.
- 4) **Utilisation et entretien d'un outil électrique**
- a) **Ne pas forcer sur l'outil électrique. Utiliser l'outil électrique adapté à vos travaux.**
 Le bon outil électrique fera le travail mieux et en toute sécurité au régime pour lequel il a été conçu.
- b) **Ne pas utiliser l'outil électrique si l'interrupteur ne le met pas en position de marche et d'arrêt.**
 Tout outil ne pouvant être contrôlé par l'interrupteur est dangereux et doit être réparé.
- c) **Débrancher la fiche de la source d'alimentation et/ou retirer la batterie, si elle est amovible, de l'outil électrique avant de procéder à tout réglage, de changer d'accessoires ou de ranger les outils électriques.**
 Ces mesures préventives de sécurité réduisent les risques de démarrage accidentel de l'outil électrique.
- d) **Stockez les outils électriques inutilisés hors de la portée des enfants et ne pas laisser des personnes non familiarisées avec l'outil ou ces instructions utiliser l'outil électrique.**
 Les outils électriques sont dangereux entre les mains d'utilisateurs non habilités.
- e) **Entretenir les outils électriques et les accessoires. Vérifier l'absence de mauvais alignement ou d'arrêt, d'endommagement de pièces ou toute autre condition susceptible d'affecter l'opération de l'outil.**
Si l'outil est endommagé, le faire réparer avant utilisation.
 De nombreux accidents sont dus à des outils mal entretenus.
- f) **Maintenir les outils coupants aiguisés et propres.**
 Des outils coupants bien entretenus avec des bords aiguisés sont moins susceptibles de se coincer et plus simples à contrôler.

- g) **Utiliser l'outil électrique, les accessoires et les mèches de l'outil, etc. conformément à ces instructions en tenant compte des conditions d'utilisation et du travail à réaliser.**
L'utilisation de l'outil électrique pour des opérations différentes de celles pour lesquelles il a été conçu est dangereuse.
- h) **Conserver les poignées et les surfaces de prise sèches, propres et exemptes d'huile et de graisse.**
Des poignées et des surfaces de prise glissantes ne permettent pas une manipulation sûre et la maîtrise de l'outil en cas de situations imprévues.
- 5) **Utilisation et entretien de la batterie**
- a) **Recharger la batterie uniquement avec le chargeur recommandé par le fabricant.**
Un chargeur inadéquat pour le type de batterie peut entraîner un risque d'incendie en cas d'utilisation avec une autre batterie.
- b) **Utiliser les outils électriques uniquement avec les batteries spécifiées.**
L'utilisation d'autres batteries peut entraîner un risque de blessures et d'incendie.
- c) **Lorsque la batterie est inutilisée, la garder à l'écart d'objets métalliques comme des trombones, des pièces de monnaie, des clés, des clous, des vis ou autres petits objets métalliques pouvant raccorder les bornes.**
La connexion des bornes peut entraîner des blessures ou un incendie.
- d) **En cas d'utilisation dans des conditions extrêmes, du liquide peut être émis de la batterie. Éviter tout contact. En cas de contact accidentel, rincer à l'eau. Si le liquide entre en contact avec les yeux, consulter un médecin.**
Le liquide émis par la batterie peut entraîner des irritations et des brûlures.
- e) **Ne pas utiliser une batterie ou un outil endommagé ou modifié.**
Des batteries endommagées ou modifiées peuvent se comporter de façon imprévisible, entraînant un risque d'incendie, d'explosion ou de blessure.
- f) **Ne pas exposer une batterie ou un outil au feu ou à une température excessive.**
Une exposition au feu ou à une température supérieure à 265 °F peut provoquer une explosion.
- g) **Suivre toutes les instructions de charge et ne pas charger la batterie ou l'outil en dehors de la plage de températures spécifiée dans les instructions.**
Une charge incorrecte ou à des températures en dehors de la plage spécifiée peut endommager la batterie et augmenter le risque d'incendie.
- 6) **Service**
- a) **Faire entretenir l'outil électrique par un technicien habilité à l'aide de pièces de rechange identiques exclusivement.**
Cela garantira le maintien de la sécurité de l'outil électrique.
- b) **Ne jamais réparer les batteries endommagées.**
L'entretien des batteries ne doit être effectué que par le fabricant ou un prestataire de service agréé.
- **AVERTISSEMENT –**
Pour réduire tout risque de blessure, l'utilisateur doit lire le mode d'emploi.
-
- AVERTISSEMENTS DE SÉCURITÉ RELATIFS À LA SCIE CIRCULAIRE SANS FIL À POIGNÉE ARRIÈRE**
-
- Procédures de coupe**
- a) **⚠ DANGER: N'approchez pas les mains de la zone de coupe et de la lame. Garder la deuxième main sur la sous-poignée.**
Si les deux mains tiennent la scie, elles ne peuvent pas être coupées par la lame.
- b) **N'exposez aucune partie de votre corps sous la pièce à travailler.**
Le protecteur ne peut pas vous protéger de la lame sous la pièce à travailler.
- c) **Ajustez la profondeur de coupe à l'épaisseur de la pièce à travailler.**
Il convient que moins de la totalité d'une dent parmi toutes les dents de la lame soit visible sous la pièce à travailler.
- d) **Ne jamais tenir la pièce dans vos mains ou sur votre jambe pendant la coupe. Assurez-vous que la pièce à travailler se trouve sur une plate-forme stable.**
Il est important que la pièce à travailler soit soutenue convenablement, afin de minimiser l'exposition du corps, le grippage de la lame, ou la perte de contrôle.
- e) **Maintenez l'outil électrique par les surfaces de prise isolées lorsque vous effectuez une opération au cours de laquelle l'outil de coupe peut entrer en contact avec un câblage caché.**
Le contact avec un fil "sous tension" mettra également "sous tension" les parties métalliques exposées de l'outil et pourra provoquer un choc électrique sur l'opérateur.
- f) **Lors d'une coupe, utilisez toujours un guide parallèle ou un guide à bords droits.**
Cela améliore la précision de la coupe et réduit les risques de grippage de la lame.

- g) **Utilisez toujours des lames dont la taille et la forme (diamètre et rond) des alésages centraux sont convenables.**
Les lames qui ne correspondent pas aux éléments de montage de la scie ne fonctionneront pas bien, causant une perte de contrôle.
- h) **N'utilisez jamais de rondelles ou de boulons de lames endommagés ou inadaptés.**
Les rondelles et les boulons de lames ont été spécialement conçus pour votre scie, afin de garantir une performance optimale et une sécurité de fonctionnement.
- Causes du recul et mises en garde correspondantes**
- Le rebond est une réaction soudaine à une lame de scie pincée, coincée ou mal alignée, causant le soulèvement et le retrait incontrôlés de la scie vers l'opérateur;
 - Lorsque la lame est pincée ou coincée fermement par le trait de scie se refermant, la lame cale et la réaction du moteur pousse l'unité rapidement vers l'opérateur;
 - si la lame se tord ou est mal alignée lors de la coupe, les dents sur le bord arrière de la lame peuvent creuser la face supérieure du bois, ce qui fait que la lame sort du trait de scie et est projetée sur l'opérateur.
- d) **Placez des panneaux de grande taille sur un support afin de minimiser les risques de pincement de la lame et de recul.**
Les grands panneaux ont tendance à fléchir sous leur propre poids. Les supports doivent être placés sous le panneau des deux côtés, près de la ligne de coupe et près du bord du panneau.
- e) **N'utilisez pas de lames émoussées ou endommagées.**
Des lames non aiguisées ou mal fixées entraînent un trait de scie rétréci, provoquant trop de frottements, un grippage de la lame et un recul.
- f) **Les leviers de verrouillage et de réglage de la profondeur de la lame et du biseau doivent être serrés et sécurisés avant d'effectuer la coupe.**
Si l'ajustement de la lame dérive pendant la coupe, cela peut provoquer un grippage et un recul.
- g) **Soyez d'autant plus prudent lorsque vous découpez des parois existantes ou d'autres zones sans visibilité.**
La lame saillante peut couper des objets qui peuvent entraîner un recul.

Le recul est le résultat d'un mauvais usage de la scie et/ou de procédures ou de conditions de fonctionnement incorrectes et peut être évité en prenant les précautions adéquates spécifiées ci-dessous.

- a) **Maintenez fermement la scie avec les deux mains et positionnez vos bras afin de résister aux forces de recul. Positionnez votre corps d'un des côtés de la lame, mais pas dans l'alignement de la lame.**
Le recul peut faire revenir la scie en arrière, mais les forces de recul peuvent être maîtrisées par l'opérateur, si les précautions adéquates sont prises.
- b) **Lorsque la lame est grippée ou lorsqu'une coupe est interrompue pour quelque raison que ce soit, relâchez le bouton de commande et maintenez la scie immobile dans le matériau, jusqu'à ce que la lame arrête complètement de fonctionner. N'essayez jamais de retirer la scie de la pièce à travailler ou tirez la scie en arrière pendant que la lame est en mouvement ou que le recul peut se produire.**
Recherchez et prenez des mesures correctives afin d'empêcher que la lame ne se grippe.
- c) **Quand une scie redémarre avec la lame dans la pièce à travailler, centrer la lame de scie dans le trait de scie de sorte que les dents de la scie ne s'insèrent pas dans le matériau.**
Si une lame de scie se coince, elle peut s'éloigner ou reculer de la pièce à travailler au redémarrage de la scie.
- Fonctionnement du protecteur inférieur**
- a) **Vérifier la bonne fermeture de la protection inférieure avant chaque utilisation. Ne pas opérer la scie si la protection inférieure ne se déplace pas librement et ne se ferme pas instantanément. Ne serrez jamais ou n'attachez jamais le protecteur inférieur en position ouverte.**
Si la scie est échappée accidentellement, la protection inférieure peut être pliée. Soulevez le protecteur inférieur avec la poignée rétractive et assurez-vous qu'il bouge librement et n'est pas en contact avec la lame ou toute autre partie, à tous les angles et profondeurs de coupe.
- b) **Vérifiez le fonctionnement du ressort du protecteur inférieur. Si le protecteur et le ressort ne fonctionnent pas correctement, ils doivent être révisés avant utilisation.**
Le protecteur inférieur peut fonctionner lentement en raison d'éléments endommagés, de dépôts collants ou de l'accumulation de débris.
- c) **La protection inférieure peut être rentrée manuellement seulement pour les coupes spéciales comme les "coupes en plongée" et les "coupes mixtes". Soulever la protection inférieure par la poignée rétractive et aussitôt que la lame pénètre dans le matériau, la protection inférieure doit être relâchée.**
Pour toutes les autres découpes, il convient que le protecteur inférieur fonctionne automatiquement.
- d) **Toujours s'assurer que la protection inférieure couvre la lame avant de poser la scie sur un établi ou par terre.**

Une lame non protégée et continuant à fonctionner par inertie entraînera la scie en arrière, et coupera alors tout ce qui se trouve sur sa trajectoire. Soyez conscient du temps nécessaire à la lame pour s'arrêter après que l'interrupteur est relâché.

Autres

1. TOUJOURS porter des vêtements appropriés. Ne pas porter de vêtements amples, gants, cravate, bagues, bracelets ou autres bijoux, qui pourraient être attrapés par les pièces en mouvement et vous blesser. Porter un filet à cheveux pour contenir les cheveux longs.
2. TOUJOURS porter des lunettes de sécurité. Tout outil électrique peut projeter des corps étrangers dans les yeux et provoquer des lésions oculaires permanentes. TOUJOURS porter des lunettes à coques (pas des lunettes de vue) conformes à la norme de sécurité ANSI Z87.1. Les lunettes de vue ordinaires sont munies seulement de verres résistants aux impacts. Ce ne SONT PAS des lunettes de sécurité.
3. Porter un équipement de protection individuelle adéquat au besoin, à savoir:
 - protège-tympan pour réduire le risque de perte auditive causée par le bruit;
 - protection oculaire;
 - protection respiratoire approuvée par NIOSH/OSHA pour réduire le risque d'inhalation de poussière dangereuse;
 - gants pour manipuler les lames de scie (les lames de scie devraient être transportées dans un étui chaque fois que c'est possible) et les matériaux bruts.
4. Rester vigilant. Ne jamais utiliser la scie en cas de fatigue ou sous l'emprise de drogues, d'alcool ou de médicaments susceptibles d'affecter votre capacité à utiliser correctement l'outil.
5. Maintenir l'aire de travail bien aérée. De la poussière créée par le ponçage, le sciage, le meulage, le perçage électriques et d'autres activités de construction contient des produits chimiques reconnus pour causer le cancer, des anomalies congénitales ou autres dommages au fœtus. Par conséquent, travailler dans un endroit bien aéré et utiliser des équipements de sécurité approuvés tels que les masques anti-poussière spécialement conçus pour filtrer les particules microscopiques.
6. Éviter le contact prolongé avec la poussière des opérations de ponçage, sciage, meulage, perçage électriques et autres activités de construction. Porter des vêtements de protection et laver les zones exposées au savon et à l'eau. Laisser la poussière pénétrer dans votre bouche ou vos yeux ou entrer en contact avec la peau peut favoriser l'absorption de produits chimiques dangereux.

7. Pour éviter un incendie ou une réaction toxique, ne jamais utiliser d'essence, naphta, acétone, laque, diluant ou solvants hautement volatils similaires pour nettoyer la scie.

REGLES DE SECURITE SPECIFIQUES

1. **Reglages.** Avant de couper, bien vérifier que les réglages de profondeur et de biseau sont solides.
2. **Eviter de couper des clous.** Avant de couper, vérifier s'il y a des clous dans le matériau et les retirer le cas échéant.
3. **Lors du fonctionnement de la scie, tenir le cordon éloigné de la zone de coupe et le placer de façon qu'il ne soit pas pris dans la pièce pendant l'opération de coupe.**
Utiliser un support de main approprié, un support de pièce approprié, et acheminer le cordon loin de la zone de travail.

⚠ AVERTISSEMENT

Il est important de soutenir la pièce correctement et de tenir solidement la scie pour éviter toute perte de contrôle pouvant entraîner des blessures physiques. La Fig. 1 donne un exemple type de soutien manuel de la scie.

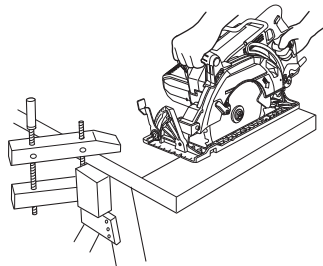


ILLUSTRATION TYPE D'UN SOUTIEN DE MAIN ET D'UN SOUTIEN DE PIÈCE APPROPRIÉS.

Fig. 1

4. **Placer la section large du socle sur la section de la pièce qui est fermement soutenue, et non sur la section qui va tomber après la coupe.**
A titre d'exemples, la Fig. 2 montre la façon CORRECTE de couper l'extrémité de la planche, et la Fig. 3 montre la façon INCORRECTE. Si la pièce est trop courte ou trop petite, la fixer.
NE PAS ESSAYER DE TENIR LES SECTIONS COURTES À LA MAIN!

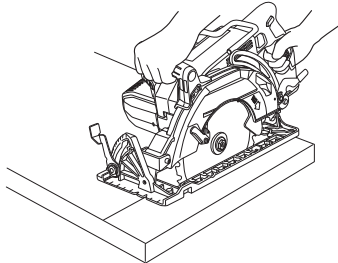


Fig. 2

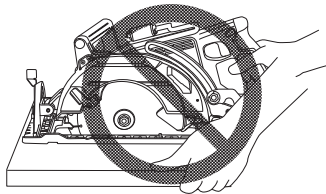


Fig. 3

5. Ne jamais tenter de scier avec la scie circulaire dirigée vers le bas dans un étau.

Ceci serait extrêmement dangereux et pourrait entraîner de graves accidents. (Fig. 4)

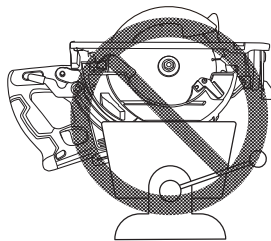


Fig. 4

6. Avant de poser l'outil par terre une fois la coupe terminée, bien s'assurer que la garde inférieure (télescopique) s'est refermée et que la lame est complètement arrêtée.

7. Ne jamais toucher les parties mobiles.

Ne jamais placer ses mains, ses doigts ou toute autre partie de son corps près des parties mobiles de l'outil.

8. Ne jamais utiliser l'outil sans que tous les dispositifs de sécurité ne soient en place.

Ne jamais faire fonctionner cet outil sans que tous les dispositifs et caractéristiques de sécurité ne soient en place et en état de fonctionnement. Si un entretien ou une réparation nécessite le retrait d'un dispositif ou d'une caractéristique de sécurité, s'assurer de bien remettre en place le dispositif ou la caractéristique de sécurité avant de recommencer à utiliser l'outil.

9. Utiliser l'outil correct.

Ne pas forcer sur un petit outil ou accessoire pour faire le travail d'un outil de grande puissance.

Ne pas utiliser un outil pour un usage pour lequel il n'a pas été prévu: par exemple, ne pas utiliser une scie circulaire pour couper des branches d'arbre ou des bûches.

10. Ne jamais utiliser un outil motorisé pour des applications autres que celles spécifiées.

Ne jamais utiliser un outil motorisé pour des applications autres que celles spécifiées dans le mode d'emploi.

11. Manipuler l'outil correctement

Utiliser l'outil de la façon indiquée dans ce mode d'emploi. Ne pas laisser tomber ou lancer l'outil. Ne jamais permettre que l'outil soit utilisé par des enfants, des personnes non familiarisées avec son fonctionnement ou un personnel non autorisé.

12. Définitions pour les symboles.

- V volts
- courant continu
- No vitesse à vide
- /min rotations ou mouvements de va-et-vient par minute
- Hz hertz
- A ampères

13. Ne pas transporter la scie à la main avec la lame qui tourne.

14. Maintenir toutes les vis, tous les boulons et les couvercles fermement en place.

Maintenir toutes les vis, tous les boulons et les couvercles fermement montés. Vérifier leurs conditions périodiquement.

15. Ne pas utiliser les outils motorisés si le revêtement de plastique ou la poignée est fendu.

Des fentes dans le revêtement ou la poignée peuvent entraîner une électrocution. De tels outils ne doivent pas être utilisés avant d'être réparés.

16. Les lames et les accessoires doivent être fermement montés sur l'outil.

Éviter les blessures potentielles personnelles et aux autres. Les lames, les instruments de coupe et les accessoires qui ont été montés sur l'outil doivent être fixés et serrés fermement.

17. Ne jamais utiliser un outil défectueux ou qui fonctionne anormalement.

Si l'outil n'a pas l'air de fonctionner normalement, fait des bruits étranges ou sans cela paraît défectueux, arrêter de l'utiliser immédiatement et le faire réparer par un centre de service metabo HPT autorisé.

18. Manipuler l'outil motorisé avec précaution.

Si un outil motorisé tombe ou frappe un matériau dur accidentellement, il risque d'être déformé, fendu ou endommagé.

19. Ne pas essuyer les parties en plastique avec du solvant.

Les solvants comme l'essence, les diluants, la benzine, le tétrachlorure de carbone et l'alcool peuvent endommager et fissurer les parties en plastique. Ne pas les essuyer avec de tels solvants. Essuyer les parties en plastique avec un chiffon doux légèrement imbibé d'une solution d'eau savonneuse et sécher minutieusement.

20. Ne jamais porter de gants faits d'un matériau susceptible de se rouler, comme du coton, de la laine, du drap ou de la ficelle, etc.

21. Garder propres les événements d'air du moteur.

Les événements d'air du moteur doivent être maintenus propres de façon que l'air puisse circuler librement tout le temps. Vérifier les accumulations de poussière fréquemment.

22. NE JAMAIS laisser fonctionner l'outil sans surveillance. Le mettre hors tension.

Ne pas abandonner l'outil avant qu'il ne soit complètement arrêté.

23. NE JAMAIS toucher la lame de l'outil avec des mains nues pendant le fonctionnement.

24. La scie circulaire fonctionnant sur batterie, bien savoir qu'elle peut se déclencher à tout moment.

25. Lors d'un travail en hauteur, évacuer tout le monde de l'aire de travail et vérifier ce qu'il y a en-dessous.

26. Ne pas heurter violemment ou casser le panneau de commande. Cela peut entraîner un dysfonctionnement.

27. N'utilisez pas le produit si l'outil ou les bornes de la batterie (fixation de la batterie) sont déformés.

Installer la batterie peut entraîner un court-circuit qui pourrait provoquer des émissions de fumée ou une ignition.

28. Gardez les bornes de l'outil (fixation de la batterie) exemptes de copeaux et de poussière.

○ Avant toute utilisation, assurez-vous qu'aucun copeau ou poussière ne s'est accumulé sur la zone des bornes.

○ Pendant l'utilisation, essayez d'éviter que des copeaux ou de la poussière provenant de l'outil ne tombent sur la batterie.

○ Lors de la suspension de l'opération ou après l'utilisation, ne laissez pas l'outil dans un endroit où il pourrait être exposé à des copeaux ou de la poussière.

Le non-respect de cette consigne peut entraîner un court-circuit qui pourrait provoquer des émissions de fumée ou une ignition.

CONSIGNES DE SÉCURITÉ IMPORTANTES POUR LE CHARGEUR OU L'ADAPTATEUR

Le terme "chargeur ou adaptateur" dans les consignes de sécurité fait référence à votre chargeur de batterie ou adaptateur secteur.

⚠ AVERTISSEMENT

Une utilisation non sécuritaire ou incorrecte du chargeur ou de l'adaptateur peut entraîner des blessures graves voire mortelles.

Pour éviter ces risques, suivre ces instructions de sécurité de base:

LIRE TOUT CE MODE D'EMPLOI

1. Ce manuel renferme des consignes de sécurité et d'utilisation importantes pour le chargeur de batterie modèle UC18YSL3 ou l'adaptateur secteur modèle ET36A.
2. Avant d'utiliser le chargeur ou l'adaptateur, lire toutes les instructions et les mises en garde sur (1) le chargeur ou l'adaptateur, (2) la batterie et (3) le produit utilisant la batterie.
3. Lors de la recharge de la batterie avec un chargeur de batterie, réduire le risque de blessure en chargeant des batteries rechargeables metabo HPT multivolt et de la série BSL18. Les autres types de batterie pourraient exploser et provoquer des blessures ou des dommages.
4. Ne pas exposer l'adaptateur secteur à la pluie ni à la neige.
5. L'utilisation d'un accessoire non recommandé ou non vendu par le fabricant du chargeur ou de l'adaptateur risque de provoquer un feu, une décharge électrique ou des blessures.
6. Pour réduire tout risque de dommage de la fiche et du cordon électriques, débrancher le cordon du chargeur ou de l'adaptateur en tirant sur la fiche.
7. Vérifier que le cordon est placé de façon que personne ne puisse marcher dessus, se prendre les pieds dedans, ni l'endommager ou le soumettre à des contraintes.
8. Ne pas utiliser de cordon de rallonge si cela n'est pas absolument nécessaire. L'utilisation d'un cordon de rallonge incorrect pourrait entraîner un feu ou une décharge électrique. Si l'on doit utiliser un cordon de rallonge, s'assurer que:
 - a. Les broches de la rallonge ont les mêmes numéro, taille et forme que celles de la fiche du chargeur ou de l'adaptateur;
 - b. Le cordon de rallonge est correctement raccordé et en bon état électrique ;
 - c. Le calibre du fil doit être au moins suffisant pour l'intensité nominale CA (ampères) du chargeur ou de l'adaptateur spécifiée dans le Tableau 1.

Tableau 1
CALIBRE MINIMUM RECOMMANDÉ POUR LES CORDONS
DE RALLONGE POUR CHARGEUR OU ADAPTATEUR

Intensité nominale d'entrée CA (ampères)*		Calibre du cordon			
Egal ou supérieur à	mais non inférieur à	Longueur de cordon en pieds (mètres)			
		25 (7,5)	50 (15)	100 (30)	150 (45)
0	2	18	18	18	16
2	3	18	18	16	14
3	4	18	18	16	14

* Si l'intensité nominale d'entrée du chargeur ou de l'adaptateur est donnée en watts et non en ampères, calculer la capacité en ampères correspondante en divisant la capacité en ampères par la capacité de tension, par exemple :

$$\frac{1250 \text{ watts}}{125 \text{ volts}} = 10 \text{ ampères}$$

9. Ne pas utiliser le chargeur ou l'adaptateur si son cordon ou sa fiche sont endommagés – Les remplacer immédiatement.
10. Ne pas utiliser le chargeur ou l'adaptateur s'il a reçu un coup, s'il est tombé ou endommagé de toute autre manière. L'apporter à un réparateur qualifié.
11. Ne pas démonter le chargeur ou l'adaptateur; si un entretien ou des réparations sont nécessaires, l'apporter à un réparateur qualifié. Un remontage incorrect pourrait provoquer une décharge électrique ou un feu.
12. Pour réduire tout risque de décharge électrique, débrancher le chargeur ou l'adaptateur de la prise avant tout entretien ou nettoyage. Il ne suffit pas de sortir la batterie.
13. Cet adaptateur secteur est destiné à être utilisé seulement avec des outils spécifiques, y compris le C3607DWA. Il pourrait convenir pour l'utilisation avec d'autres outils metabo HPT alimentés sur batterie. Il est nécessaire de confirmer l'adaptabilité en se référant au manuel d'instructions de l'outil spécifique ou en consultant notre site Web <https://www.metabo-hpt.com/>. Le défaut de confirmer l'adaptabilité avant d'utiliser l'adaptateur avec les outils spécifiques pourrait causer un risque d'incendie.

CONSIGNES DE SÉCURITÉ IMPORTANTES POUR L'UTILISATION DE LA BATTERIE ET DU CHARGEUR OU DE L'ADAPTATEUR

Pour pouvoir utiliser l'outil électrique, il faudra recharger la batterie. Avant d'utiliser le chargeur de batterie modèle UC18YSL3., bien lire attentivement toutes les consignes et les avertissements signalés sur le chargeur, sur la batterie ou dans ce manuel.

⚠ PRÉCAUTION
UTILISER EXCLUSIVEMENT DES MODÈLES DE BATTERIES metabo HPT DE SÉRIE MULTI-VOLT. LES AUTRES MODÈLES DE BATTERIE POURRAIENT EXPLOSER OU PROVOQUER DES BLESSURES.

Pour éviter tout risque de blessure, observer les consignes suivantes:

⚠ AVERTISSEMENT

Une utilisation incorrecte de la batterie ou du chargeur de batterie risque de provoquer des blessures. Pour éviter tout risque de blessure:

1. **NE JAMAIS** démonter la batterie ou l'adaptateur secteur.
2. **NE JAMAIS** jeter la batterie ou l'adaptateur secteur au feu, même s'ils sont endommagés ou complètement usés. La batterie risque d'exploser au feu.
3. **NE JAMAIS** court-circuiter la batterie ou l'adaptateur secteur.
4. **NE JAMAIS** insérer d'objets dans les ouïes d'aération du chargeur ou de l'adaptateur. Il pourrait en résulter une décharge électrique ou des dommages du chargeur ou de l'adaptateur.
5. **NE JAMAIS** utiliser à l'extérieur. Éloigner la batterie ou l'adaptateur secteur hors d'atteinte des rayons directs du soleil et utiliser exclusivement dans des endroits à faible humidité et bien aérés.
6. **NE JAMAIS** charger si la température est inférieure à 32°F (0°C) ou supérieure à 104°F (40°C). (UC18YSL3)
NE JAMAIS utiliser si la température est inférieure à 14°F (-10°C) ou supérieure à 104°F (40°C). (ET36A)
7. **NE JAMAIS** raccorder deux chargeurs ou adaptateurs ensemble.
8. **NE JAMAIS** insérer de corps étrangers dans l'orifice de la batterie, le chargeur ou l'adaptateur.
9. **NE JAMAIS** utiliser de transformateur-élévateur.
10. **NE JAMAIS** utiliser d'alimentation CC.
11. **NE JAMAIS** ranger la batterie, le chargeur ou l'adaptateur dans un lieu où la température peut atteindre ou dépasser 104°F (40°C) comme à l'intérieur d'une boîte en métal ou d'une voiture.

12. **NE JAMAIS** exposer la batterie, le chargeur ou l'adaptateur à la pluie ou des conditions humides.
 13. **TOUJOURS** alimenter le chargeur ou l'adaptateur sur une prise secteur domestique standard (120 volts). L'utilisation du chargeur ou de l'adaptateur à une autre tension peut entraîner une surchauffe et les endommager.
 14. **TOUJOURS** attendre au moins 15 minutes entre deux recharges pour éviter toute surchauffe du chargeur. (UC18YSL3)
 15. **TOUJOURS** débrancher le cordon d'alimentation de la prise lorsqu'on ne se sert pas du chargeur ou de l'adaptateur.
- [Les informations ci-dessous concernent seulement ET36A]
16. Ne pas utiliser le produit si les bornes de l'outil ou de l'adaptateur secteur (monture pour adaptateur secteur) sont déformées.
L'installation de l'adaptateur secteur risquerait de causer un court-circuit provoquant une émission de fumée ou une ignition.
 17. Conserver les bornes de l'outil (monture pour adaptateur secteur) exemptes d'ébarbures et de poussières.
 - Avant utilisation, s'assurer qu'aucune ébarbure ou poussière ne s'est accumulée sur les bornes.
 - Pendant l'utilisation, essayer d'empêcher les ébarbures et la poussière sur l'outil de tomber sur l'adaptateur secteur.
 - En cas d'interruption de la tâche ou après utilisation, ne pas laisser l'outil dans un endroit où il pourrait être exposé à la chute d'ébarbures ou de poussières. Cela risquerait de causer un court-circuit provoquant une émission de fumée ou une ignition.
 18. Ce produit est conçu pour utilisation dans des environnements de degré de pollution 2 ou PD2. Opérer seulement dans des zones de pollution non conductrice. Une conductivité temporaire causée par la condensation est normalement attendue.
 19. Cette machine étant de haute précision, ne pas l'échapper, ni ne l'exposer à un impact.
 20. Ne pas utiliser ce produit à proximité d'un stimulateur cardiaque ou d'autres appareils implantés similaires, qui peuvent être affectés par le champ magnétique généré par ce produit.
 21. L'adaptateur, le boîtier d'alimentation électrique et l'intérieur du cordon CC générant une haute tension survoltée de 380 V, faire attention aux points suivants.
 - Ne pas démonter le produit.
 - Ne pas l'échapper, ni ne l'exposer à un impact. Dans le cas où le produit est endommagé par un impact violent, ne pas l'utiliser.
 - Ne pas utiliser le produit dans des zones exposées à la pluie, à la neige, à la poudre de fer ou à des conditions humides.
- Ne pas toucher le produit avec les mains mouillées.
 - Ne pas renverser ou verser de liquide sur le produit.
 - Ne pas tirer sur le cordon avec une force excessive.
 - Utiliser le produit dans un environnement de travail bien ordonné.
- ⚠ PRÉCAUTION**
1. Quand le maillage du trou d'aération est bouché par des objets comme des copeaux de bois, essayer de maintenir les objets à l'extérieur lors du nettoyage du maillage.
(En cas de maintenance incorrecte, la fonction de protection de la température pourrait arrêter le produit)
 2. Quand la fonction de protection de la température coupe fréquemment l'alimentation, ne pas surcharger la machine avec un travail continu, mais laisser la machine reposer un peu avant de continuer l'opération.
 3. La machine chauffe. Toutefois, cela n'indique pas une anomalie.
Faire marcher l'électricité et opérer le ventilateur interne pour refroidir la machine avant de la transporter ailleurs.
Lors du transport du produit, veiller à utiliser le blindage de cordon. L'étui pouvant être chaud, prière d'être prudent.
 4. Pendant l'utilisation, ne pas tirer sur le cordon pour déplacer le boîtier. Cela risque de causer des dégâts.
 5. Ne pas utiliser plus d'une bobine de cordon de 30 mètres, sous peine de causer des dégâts.
 6. Pendant l'utilisation, si la machine s'arrête de fonctionner après que le voyant DEL du boîtier clignote, confirmer l'environnement de l'alimentation électrique.
 7. Ne pas traîner le cordon lors de l'utilisation ou du transport de la machine, sous peine de déchirer l'isolation du cordon ou de casser le cordon ce qui peut causer une décharge électrique.
 8. Ne pas étirer le cordon plus que nécessaire.
Lors de l'utilisation de cisailles de jardin ou de scies circulaires, toujours s'assurer de l'emplacement du cordon d'alimentation afin d'éviter de le couper pendant le fonctionnement.
 9. Pour utiliser l'adaptateur secteur après son arrêt en raison d'une température élevée, déconnecter la fiche d'alimentation du boîtier, patienter jusqu'à ce que le voyant DEL s'éteigne, puis reconnecter la fiche d'alimentation du boîtier.
Si la machine s'arrête même après l'avoir suffisamment refroidie avec le ventilateur intégré, cesser de l'utiliser, car la machine peut présenter un problème.
 10. Ne pas utiliser ce produit près d'un poste de radio, sous peine de générer du bruit depuis la radio, rendant difficile l'écoute d'une émission.

11. Il s'agit d'une source d'alimentation pour produits multivolt. Ne pas utiliser avec des produits ou chargeurs de 18 V, sous peine de causer des dégâts.
12. Le comportement de surcharge peut différer en comparaison avec l'utilisation de la batterie BSL36B18.
Lorsque vous connectez la batterie au chargeur, le voyant DEL de la batterie devrait clignoter sur l'unité principale, mais il se peut que le voyant DEL sur l'adaptateur secteur clignote à sa place.

PRÉCAUTIONS POUR L'ADAPTATEUR SECTEUR

L'adaptateur est équipé d'une fonction de protection pour arrêter la puissance fournie. Dans les cas 1 à 2 décrits ci-dessous, lors de l'utilisation de ce produit, même si le commutateur est enclenché, le moteur peut s'arrêter. Il ne s'agit pas d'une anomalie, mais du résultat de la fonction de protection.

1. Si l'outil est surchargé, la puissance fournie peut s'arrêter. Dans ce cas, relâcher le commutateur de l'outil et éliminer les causes de la surcharge.
2. Si l'adaptateur surchauffe en cas de surcharge de travail, la puissance fournie peut s'arrêter. Dans de telles situations, cesser l'utilisation de l'adaptateur et le détacher de l'outil. Laisser refroidir l'adaptateur dans un endroit ombragé avec une bonne circulation d'air.

PRÉCAUTIONS RELATIVES A LA BATTERIE AU LITHIUM ION

Pour prolonger sa durée de vie, la batterie lithium-ion est équipée d'une fonction de protection qui coupe automatiquement l'alimentation.

Dans les cas 1 à 3 décrits ci-dessous, il est possible que le moteur s'arrête lorsque vous utilisez ce produit, même si vous actionnez le commutateur. Il ne s'agit pas d'un dysfonctionnement, mais du fonctionnement normal de la protection.

1. Lorsque la charge restante de la batterie diminue, le moteur s'arrête.
Dans ce cas de figure, chargez immédiatement la batterie.
2. En cas de surcharge de l'outil, actionnez le commutateur de l'outil et éliminez les causes de la surcharge. Vous pouvez ensuite recommencer à utiliser l'outil.
3. En cas de surchauffe due à un travail trop intensif, l'alimentation de la batterie peut se couper.
Dans ce cas, arrêtez toute utilisation de la batterie et laissez-la refroidir. Vous pouvez ensuite recommencer à l'utiliser.

En outre, respectez la précaution et l'avertissement suivants.

⚠ AVERTISSEMENT

Afin d'éviter toute fuite de la batterie, génération de chaleur, émission de fumée, explosion et inflammation, respectez scrupuleusement les précautions suivantes :

1. Assurez-vous que les copeaux et la poussière ne s'accumulent pas sur la batterie.
 - Lorsque vous travaillez, assurez-vous que les copeaux et la poussière ne tombent pas sur la batterie.
 - Assurez-vous que les copeaux et la poussière qui tombent sur l'outil lorsque vous travaillez ne s'accumulent pas sur la batterie.
 - Ne conservez pas une batterie inutilisée dans un endroit qui est exposé aux copeaux et à la poussière.
 - Avant de stocker une batterie, retirez tous les copeaux et la poussière qui ont pu y adhérer et ne la conservez pas avec des pièces métalliques (vis, clous, etc.).
2. Ne percez pas la batterie à l'aide d'un objet pointu tel qu'un clou. Ne la frappez pas à l'aide d'un marteau. Ne marchez pas dessus, ne la lancez pas et ne la soumettez pas un à choc physique important.
3. N'utilisez pas une batterie dont l'extérieur est déformé ou laisse penser qu'elle est défectueuse.
4. N'insérez pas la batterie à l'envers (pôles inversés).
5. Ne raccordez pas directement la batterie à une prise électrique ou à un allume-cigare.
6. N'utilisez pas la batterie à d'autres fins que celle spécifiée.
7. En cas d'échec du chargement d'une batterie, même après un certain délai, arrêtez immédiatement le rechargement.
8. N'exposez pas la batterie à des températures ou à une pression élevées (four à micro-ondes, séchoir, conteneur sous haute pression).
9. Maintenez à la batterie à l'écart de toute flamme en cas de détection d'une fuite ou d'une mauvaise odeur.
10. Ne pas utiliser à proximité d'une source puissante d'électricité statique.
11. En cas de fuite de la batterie, de mauvaise odeur, de génération de chaleur, de décoloration, de déformation ou d'anomalie en cours d'utilisation, de rechargement ou d'entreposage, ôtez immédiatement la batterie de l'équipement ou du chargeur de batterie et ne l'utilisez plus.
12. Ne plongez jamais la batterie dans de l'eau ou tout autre liquide, et ne laissez aucun liquide s'infiltrer à l'intérieur de la batterie. L'entrée de liquides conducteurs, tel que de l'eau, peut causer des dommages pouvant entraîner un incendie ou une explosion. Rangez votre batterie dans un endroit frais et sec, à l'écart d'objets combustibles et inflammables. Les atmosphères corrosives doivent être évitées.

⚠ PRÉCAUTION

1. En cas de projection dans les yeux de liquide ayant fuit de la batterie, ne vous frottez pas les yeux, rincez-les à l'eau claire et contactez immédiatement un médecin. En l'absence de traitement, le liquide peut détériorer l'œil.
2. En cas de projection de liquide ayant fuit de la batterie sur votre peau ou vos vêtements, rincez immédiatement ces derniers à l'eau claire (au robinet). Le liquide peut provoquer une irritation de la peau.
3. En cas de détection de rouille, de mauvaise odeur, de surchauffe, de décoloration, de déformation et/ou autres anomalies lors de la première utilisation de la batterie, n'utilisez pas cette dernière et renvoyez-la au fournisseur ou au fabricant.

⚠ AVERTISSEMENT

Un court-circuit risque de se produire et causer un incendie, si un corps étranger conducteur d'électricité passe dans les bornes de la pile au lithium-ion. Veuillez respecter les consignes suivantes pour le rangement de la pile.

- **Ne pas mettre d'objet conducteur d'électricité, tels que clous, fil d'acier, de cuivre ou autre fil dans la mallette de rangement.**
- **Soit ranger le bloc de pile avec l'outil électrique ou de manière sécuritaire en l'enfonçant dans le couvercle jusqu'à ce que les orifices de ventilation soient dissimulés afin d'éviter les courts-circuits. (Voir la Fig. 7)**

À PROPOS DU TRANSPORT DE LA BATTERIE LITHIUM-ION

Lors du transport d'une batterie lithium-ion, veuillez observer les précautions suivantes.

⚠ AVERTISSEMENT

Informez la société de transport qu'un paquet contient une batterie lithium-ion, informez la société de sa puissance de sortie et suivez les instructions de la société de transport lors de l'organisation du transport.

- **Les batteries lithium-ion qui dépassent une puissance de sortie de 100 Wh font partie de la classification de transport des produits dangereux et nécessitent l'application de procédures spéciales.**
- **Pour un transport vers l'étranger, vous devez vous conformer aux lois internationales et aux normes et réglementations en vigueur dans le pays de destination.**
- **Si le BSL36B18 est installé dans l'outil électrique, la puissance utile dépassera 100 Wh et l'appareil sera classé comme Produits dangereux pour la classification fret transporté.**

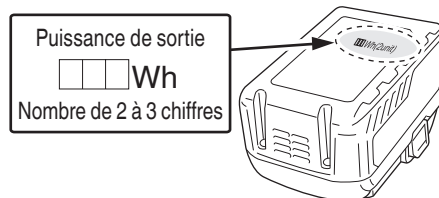


Fig. 5

PRÉCAUTIONS LORS DE LA CONNEXION DU DISPOSITIF USB

Lorsqu'un problème inattendu survient, les données sur un dispositif USB connecté à ce produit risque d'être endommagées ou perdues. Toujours veiller à sauvegarder toutes les données contenues dans le dispositif USB avant de l'utiliser avec ce produit.

Gardez à l'esprit que notre société décline toute responsabilité relative pour toute donnée enregistrée sur un dispositif USB qui est corrompue ou perdue, ni pour tout dommage susceptible de se produire sur un périphérique raccordé.

**CONSERVER CES INSTRUCTIONS
ET
LES METTRE A LA DISPOSITION DES AUTRES UTILISATEURS
ET
PROPRIETAIRES DE CET OUTIL!**

DESCRIPTION FONCTIONNELLE

REMARQUE

Les informations contenues dans ce mode d'emploi sont conçues pour assister l'utilisateur dans une utilisation sans danger et un entretien de l'outil motorisé.

NE JAMAIS utiliser ni entreprendre une révision de l'outil sans avoir d'abord lu et compris toutes les instructions de sécurité contenues dans ce manuel.

Certaines illustrations dans ce mode d'emploi peuvent montrer des détails ou des accessoires différents de ceux de l'outil motorisé utilisé.

NOM DES PARTIES

1. Scie circulaire sans fil à poignée arrière (C3607DWA)

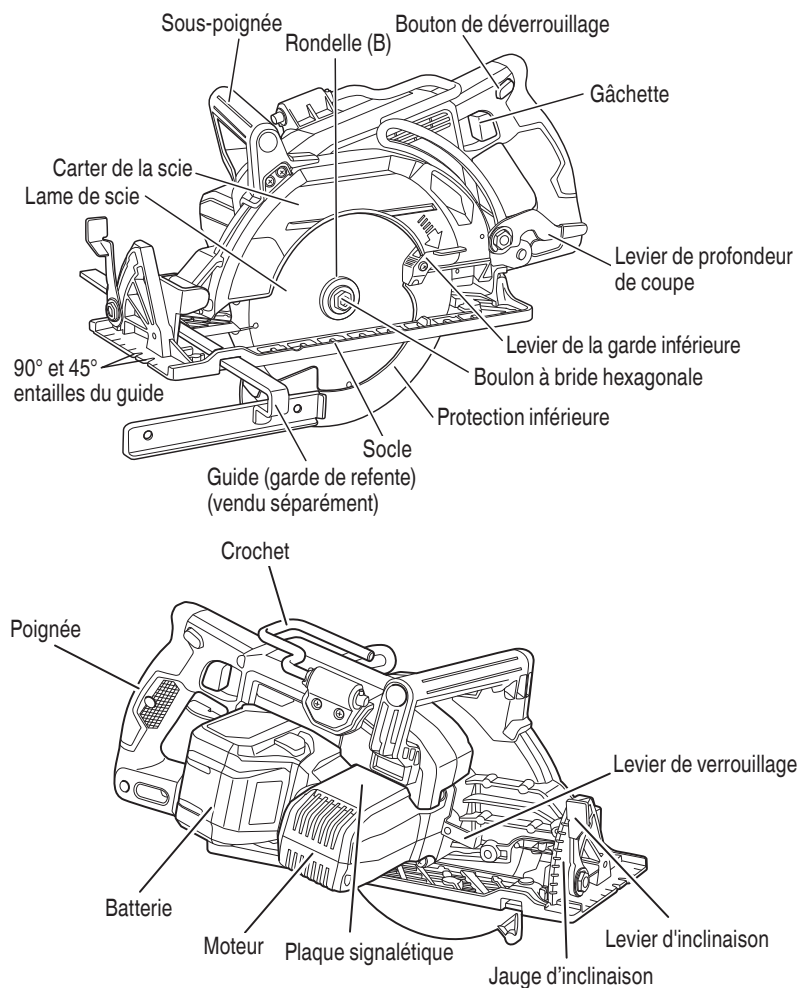
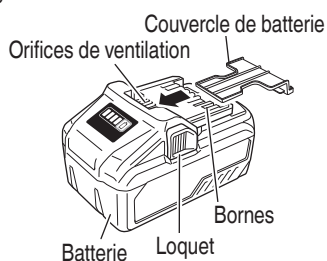


Fig. 6

Français

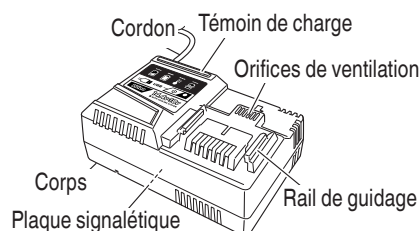
2. Batterie



<BSL36B18>

Fig. 7

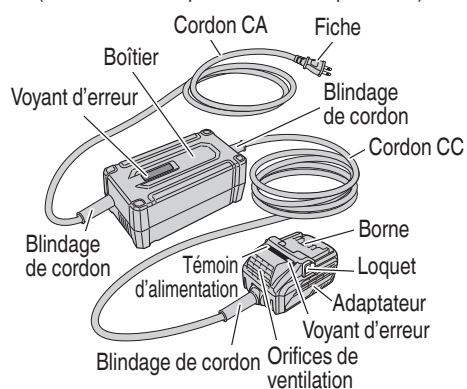
3. Chargeur de batterie



<UC18YSL3>

Fig. 8

4. Adaptateur secteur (accessoires en option...vendus séparément)



<ET36A>

Fig. 9

SPECIFICATIONS

1. Scie circulaire sans fil à poignée arrière

Modèle	C3607DWA	
Tension	36 V	
Moteur	Moteur sans balais CC	
Vitesse à vide	5 100 /min	
Dimension de la lame	7-1/4" (185 mm) P x 5/8" (15,9 mm) T	
Profondeur de coupe max.	2-7/16" (62 mm)	
Angle de lame max.	Réglable entre 0° et 53°	
Alimentation	Type*	Batterie au Li-ion modèle BSL36B18 / Adaptateur secteur modèle ET36A (vendu séparément)
	Tension	36 V
Poids	10,4 lbs. (4,7 kg) (BSL36B18 attaché)	

* Les batteries existantes (séries BSL3660/3626/3620, BSL18xx et BSL14xx) ne peuvent pas être utilisées avec cet outil. Si vous utilisez l'adaptateur secteur, veuillez lire et comprendre son manuel avant de faire fonctionner l'outil électrique.

2. Chargeur de batterie

Modèle	UC18YSL3
Source d'alimentation d'entrée	Monophasée: CA120 V 60 Hz
Durée de recharge (à une température de 68°F (20°C))	BSL36B18: Environ 52 min
Tension de charge	CC 14,4 V-18 V
Courant de charge	CC 8,0 A
Poids	1,3 lbs. (0,6 kg)

REMARQUE: La durée de recharge peut varier en fonction de la température et de la tension de la source d'alimentation.

3. Adaptateur secteur

Modèle	ET36A
Source d'alimentation d'entrée	Monophasée: CA 120 V 60 Hz
Tension de sortie	36 V
Plage de la température de fonctionnement	14°F (-10°C) à 104°F (40°C)
Poids	Adaptateur : 1,8 lbs. (0,8 kg) Boîtier : 2,6 lbs. (1,2 kg)

Contrôle électronique

- Démarrage en douceur
- Protection contre les surcharges
 Cette fonction de protection coupe l'alimentation du moteur en cas de surchauffe du moteur ou d'une réduction manifeste de la vitesse de rotation pendant le fonctionnement.
 Lorsque la fonction de protection contre la surcharge a été activée, le moteur peut s'arrêter.
 Dans ce cas, relâcher le commutateur de l'outil et éliminer les causes de la surcharge.
 Après cela, vous pouvez l'utiliser à nouveau.
- Protection contre les surchauffes
 Cette fonction de protection coupe l'alimentation du moteur et arrête l'outil électrique en cas de surchauffe du moteur pendant le fonctionnement.
 Lorsque la fonction de protection contre la surchauffe a été activée, le moteur peut s'arrêter.
 Dans ce cas, relâcher le commutateur de l'outil et laisser refroidir pendant quelques minutes.
 Après cela, vous pouvez l'utiliser à nouveau.

ASSEMBLAGE ET FONCTIONNEMENT

UTILISATIONS

- Coupe de divers types de bois.

⚠ AVERTISSEMENT

- Redoublez de prudence lors de la coupe de bois vert, dur, humide, composite, traité, ayants des nœuds ou ayant d'autres caractéristiques qui peuvent surcharger la scie ou lame. Dans ce cas, ne forcez pas l'outil. Poussez l'outil plus lentement, mais avec assez de force pour continuer à travailler sans trop réduire la vitesse.
- Pour éviter de graves blessures, ne pas couper le métal avec une lame de coupe en métal fixée. De plus, ne pas utiliser pour des applications autres que la coupe du bois.

MÉTHODE DE RETRAIT ET D'INSTALLATION DE LA BATTERIE

- Installation de la batterie
Aligner la batterie sur la fente de la poignée de l'outil et la glisser à l'intérieur. Toujours insérer la batterie à fond, jusqu'à ce qu'elle se bloque avec un petit déclic. Sinon, elle risque de tomber accidentellement de l'outil et de blesser l'opérateur ou d'autres personnes alentour (Fig. 10).
- Retrait de la batterie
Sortir la batterie de la poignée de l'outil tout en appuyant sur le taquet (2 taquets) de la batterie (Fig. 10).

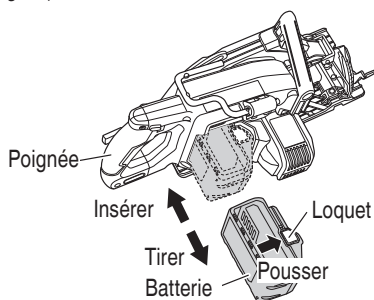


Fig. 10

MÉTHODE DE RECHARGE

REMARQUE

Avant de brancher le chargeur dans la prise, vérifier les points suivants:

- La tension de la source d'alimentation est indiquée sur la plaque signalétique.
- Le cordon n'est pas endommagé.

⚠ AVERTISSEMENT

Ne pas effectuer de recharge à une tension supérieure à la tension indiquée sur la plaque signalétique.

Cela brûlerait le chargeur.

1. Brancher le cordon d'alimentation du chargeur dans une prise murale. Une fois que le cordon d'alimentation est branché, le témoin de charge clignote en rouge. (A intervalles d'une seconde)



⚠ AVERTISSEMENT

Ne pas utiliser le cordon électrique s'il est endommagé. Le faire réparer immédiatement.

2. Insérer la batterie dans le chargeur de batterie. Insérer la batterie dans le chargeur de batterie comme indiqué à la Fig. 11.

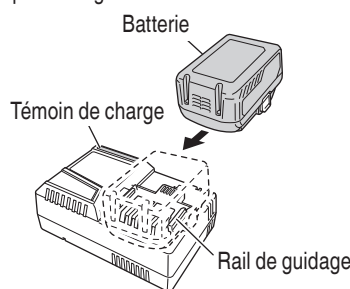


Fig. 11

3. Recharge
Lorsque vous insérez une batterie dans le chargeur, le témoin de charge clignote en bleu.
Lorsque la batterie est complètement chargée, le témoin de charge s'allume en vert. (Voir Tableau 2)

(1) Indication du témoin de charge

Les indications du témoin de charge sont expliquées dans le Tableau 2, en fonction de l'état du chargeur de batterie ou de la batterie.

Tableau 2

Indications du témoin de charge				
Témoin de charge (ROUGE / BLEU / VERT / VIOLET)	Avant la charge	Clignote (ROUGE)	S'allume pendant 0,5 seconde. Ne s'allume pas pendant 0,5 seconde. (Éteint pendant 0,5 seconde)	Branché à la source d'alimentation
	Pendant la charge	Clignote (BLEU)	S'allume pendant 0,5 seconde. Ne s'allume pas pendant 1 seconde. (Éteint pendant 1 seconde)	Capacité de la batterie à moins de 50%
		Clignote (BLEU)	S'allume pendant 1 seconde. Ne s'allume pas pendant 0,5 seconde. (Éteint pendant 0,5 seconde)	Capacité de la batterie à moins de 80%
		S'allume (BLEU)	S'allume sans interruption	Capacité de la batterie à plus de 80%
	Charge terminée	S'allume (VERT)	S'allume sans interruption (Signal sonore continu : environ 6 secondes)	
	Veille de surchauffe	Clignote (ROUGE)	S'allume pendant 0,3 seconde. Ne s'allume pas pendant 0,3 seconde. (Éteint pendant 0,3 seconde)	Batterie en surchauffe. Impossible de charger. (La charge commencera une fois que la batterie sera froide).
Charge impossible	Scintille (VIOLET)	S'allume pendant 0,1 seconde. Ne s'allume pas pendant 0,1 seconde. (Éteint pendant 0,1 seconde)	Anomalie de la batterie ou du chargeur	

(2) Au sujet de la température de la batterie rechargeable. Les températures des batteries rechargeables sont indiquées dans le Tableau 3. Laisser refroidir les batteries qui ont chauffé avant de les recharger.

Tableau 3

Batteries rechargeables	Températures de recharge de la batterie
BSL36B18	32°F-122°F (0°C-50°C)

(3) Durée de recharge (A 68°F (20°C))

Tableau 4 Temps de recharge

Batterie	Chargeur
BSL36B18	UC18YSL3 Env. 52 min

REMARQUE

Le temps de recharge peut varier en fonction de la température ambiante.

4. Débrancher le chargeur de batterie de la prise.

⚠ PRÉCAUTION

Ne pas débrancher la fiche de la prise en tirant sur le cordon. Pour éviter tout dommage lorsqu'on débranche la fiche de la prise, bien tenir la fiche proprement dite.

5. Retirer la batterie du chargeur de batterie. Sortir la batterie du chargeur tout en la soutenant de la main.

REMARQUE

Bien sortir la batterie du chargeur de batterie après usage, et la conserver.

En ce qui concerne le courant de décharge d'une batterie neuve

Etant donnée que les substances chimiques internes sont restées inactives dans le cas des batteries neuves ou des batteries qui sont restées longtemps inutilisées, le courant de décharge risque d'être très faible lors des première et deuxième utilisations. Ce phénomène est temporaire et le temps de recharge normal sera rétabli quand les batteries auront été rechargées 2 ou 3 fois.

Comment prolonger la durée de vie des batteries

- (1) Recharger les batteries avant qu'elles ne soient complètement épuisées. Quand la puissance de l'outil utilisé faiblit, l'éteindre et recharger la batterie. Si l'outil continue d'être utilisé jusqu'à épuisement du courant électrique, la batterie risque d'être endommagée et sa durée de vie se raccourcira.
- (2) Eviter d'effectuer la recharge sous des températures élevées. Une batterie est toujours chaude immédiatement après son utilisation. Si la batterie est rechargée immédiatement après utilisation, les substances chimiques internes risquent de se détériorer et la durée de vie de la batterie se raccourcira. Laisser la batterie refroidir un moment avant de l'utiliser.

⚠ PRÉCAUTION

- Si le chargeur a fonctionné pendant longtemps de suite, il sera chaud, ce qui risque de provoquer des pannes. Lorsque la recharge est terminée, laisser le chargeur refroidir pendant environ 15 minutes avant de passer à la recharge suivante.
- Si la batterie est chargée alors qu'elle est chaude parce qu'elle a été laissée longtemps dans un endroit en plein soleil ou parce qu'elle vient d'être utilisée, le témoin de charge du chargeur s'allume pendant 0,3 seconde, ne s'allume pas pendant 0,3 seconde (éteint pendant 0,3 seconde). Dans une telle éventualité, laisser la batterie refroidir, puis procéder à la recharge.
- Lorsque le témoin de charge clignote (à intervalles de 0,2 seconde), vérifier et retirer les corps étrangers dans l'orifice d'installation de la batterie du chargeur. S'il n'y a pas de corps étrangers, il s'agit probablement d'une anomalie de la batterie ou du chargeur. Les porter au service après-vente agréé.

CHARGEMENT DU DISPOSITIF USB

Lorsqu'un problème inattendu survient, les données sur un dispositif USB connecté à ce produit risque d'être endommagées ou perdues. Toujours veiller à sauvegarder toutes les données contenues dans le dispositif USB avant de l'utiliser avec ce produit.

Gardez à l'esprit que notre société décline toute responsabilité relative pour toute donnée enregistrée sur un dispositif USB qui est corrompue ou perdue, ni pour tout dommage susceptible de se produire sur un périphérique raccordé.

⚠ AVERTISSEMENT

- Avant l'utilisation, vérifiez que le câble USB ne soit pas défectueux ni endommagé. L'utilisation d'un câble USB défectueux ou endommagé peut provoquer des émissions de fumée ou un départ d'incendie.
- Lorsque le produit n'est pas utilisé, couvrir le port USB avec le cache en caoutchouc. L'accumulation de poussière, etc. dans le port USB peut provoquer des émissions de fumée ou un départ d'incendie.

REMARQUE

- Le temps requis pour la charge sera plus longue lorsque l'on charge un périphérique USB et la batterie en même temps.
 - Parfois, il peut y avoir une pause pendant la charge de l'USB.
 - Lorsqu'un périphérique USB n'est pas en cours de chargement, mettez le commutateur USB sur arrêt et retirez le périphérique USB du chargeur. Le non-respect de cette consigne peut non seulement réduire la durée de vie de la batterie d'un périphérique USB, mais aussi peut engendrer des accidents inattendus.
- (1) Sélectionnez une méthode de charge
Selon la méthode de charge sélectionnée, soit la batterie est insérée dans le chargeur, ou le câble d'alimentation est branché dans une prise électrique.
 - Chargement d'un périphérique USB à l'aide d'une batterie (Fig. 12-a)
 - Charger un dispositif USB à partir d'une prise électrique (Fig. 12-b)
 - Charger un dispositif USB et une batterie à partir d'une prise électrique (Fig. 12-c)

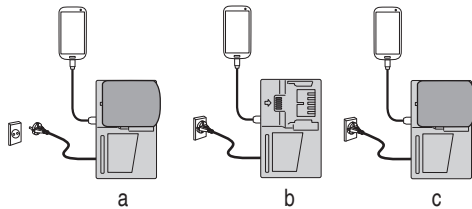


Fig. 12

- (2) Mettez le commutateur d'alimentation USB sur marche (Fig. 13)
Lorsque vous mettez le commutateur d'alimentation USB sur marche, le témoin d'alimentation USB s'allumera.

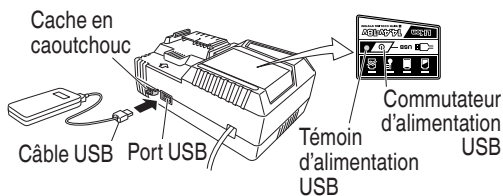


Fig. 13

- (3) Connectez le câble USB. (Fig. 13)
Tirez sur le cache en caoutchouc et branchez fermement un câble USB disponible dans le commerce (compatible avec le dispositif à recharger) dans le port USB.
- Lorsque le câble d'alimentation n'est pas branché dans une prise électrique, et que la batterie se décharge, l'énergie de sortie s'arrêtera et le témoin d'alimentation USB s'éteindra.
 - Lorsque le témoin d'alimentation USB s'éteint, changez la batterie ou branchez le câble d'alimentation dans une prise électrique.
- (4) Lorsque la charge est terminée
- Le témoin d'alimentation USB ne s'éteindra pas lorsque le périphérique USB a été complètement chargé.
Pour vérifier l'état de la charge, vérifiez le périphérique USB.
 - Mettez le commutateur d'alimentation USB sur arrêt et débranchez le câble d'alimentation de la prise électrique. (Fig. 13)
 - Retirez la batterie du chargeur et placez le cache en caoutchouc sur le port USB.

AVANT L'UTILISATION

- ⚠ PRÉCAUTION**
Pour éviter tout risque d'accident grave, vérifiez que l'interrupteur se trouve à la position OFF (arrêt), et sortir la batterie.

1. Vérifier l'aire de travail
Vérifier l'aire de travail pour s'assurer qu'il n'y a ni débris ni désordre.
Evacuer l'aire de travail des personnes non autorisées. S'assurer que l'éclairage et la ventilation sont adéquats.

2. Montage de la lame (Fig. 14)

⚠ AVERTISSEMENT

- Ne pas utiliser une lame plus large que 7-1/4 po (185 mm) de diamètre. Pour éviter les blessures dues à un démarrage accidentel, s'assurer que l'interrupteur est sur la position Arrêt et veiller à extraire la batterie.
- S'assurer que la lame est installée correctement et est serrée avant utilisation.
- Si le boulon à bride hexagonal est serré avec d'autres outils que la clé fournie, le serrage peut être trop important ou insuffisant, ce qui présente un risque de blessure.

- (1) Bien retirer toute la sciure qui s'est accumulée sur l'axe, le boulon et les rondelles.
- (2) Pour monter la lame, les côtés concaves des deux rondelles (A) et (B) doivent rentrer dans les côtés de la lame. Monter la lame sur l'axe, puis fixer la rondelle (B). (Voir Fig. 14)
- (3) Pour s'assurer que la lame tourne dans le bon sens, il faut que la flèche de la lame soit dirigée dans le même sens que celle du carter de lame.
- (4) Avec les doigts, serrer le boulon hexagonal qui fixe la lame de scie au maximum. Puis, appuyer sur le levier de verrouillage, verrouiller l'axe et serrer le boulon à fond.
- (5) Vérifier que le levier de verrouillage se trouve sur sa position d'origine.

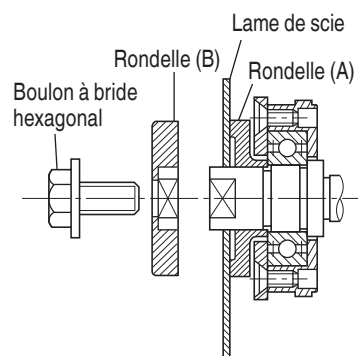


Fig. 14

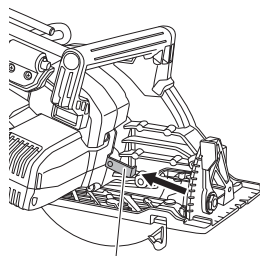
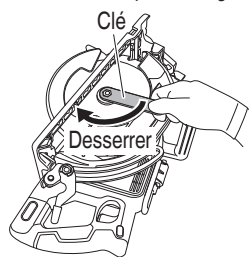
⚠ PRÉCAUTION
Après avoir installé la lame de scie, vérifier une nouvelle fois que le bouton de verrouillage est bien fixé dans la position indiquée.

3. Démontage de la lame

⚠ AVERTISSEMENT
L'outil devient chaud après utilisation. Pour éviter les brûlures, la lame devrait être remplacée après que l'outil ait suffisamment refroidi.

⚠ PRÉCAUTION
Ne jamais toucher la lame de scie tout de suite après l'utilisation. Le métal sera chaud et l'on pourrait se brûler.

(1) Régler le volume de coupe au maximum, et placer la scie circulaire comme indiqué à la Fig. 15.



Levier de verrouillage

Fig. 15

(2) Appuyer sur le levier de verrouillage, verrouiller l'arbre, et retirer le boulon à bride hexagonale et la rondelle (B) à l'aide de la clé.

(3) Tout en tenant le levier de la garde inférieure pour maintenir la garde inférieure complètement rentrée dans le carter de la scie, retirer la lame de scie (Fig. 16).

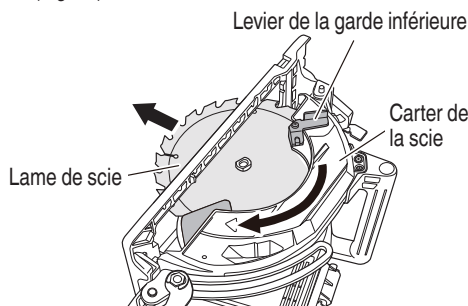


Fig. 16

4. Vérifier le bon fonctionnement de la garde inférieure

⚠ AVERTISSEMENT
Il faudra impérativement vérifier que la garde inférieure n'est pas fixée. Par ailleurs, vérifier également qu'elle se déplace en douceur. Si la lame de scie reste exposée, il y a risque de blessure.

La garde inférieure (voir Fig. 17) sert à protéger le corps de l'opérateur de tout contact avec la lame de scie. Vérifier impérativement que le carter fonctionne de façon que la lame de scie soit toujours couverte. Si la garde inférieure ne fonctionne pas en douceur, ne jamais utiliser l'outil sans avoir réparé la garde. Dans ce cas, contacter le magasin où l'on a acheté la scie circulaire ou un SERVICE APRES-VENTE metabo HPT AGRÉÉ pour la faire réparer.

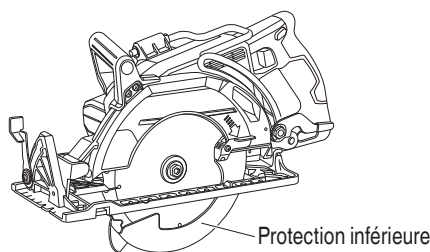


Fig. 17

5. Vérifier le bon fonctionnement du frein
La scie circulaire possède un frein électrique qui se déclenche lorsqu'on relâche l'interrupteur. Avant d'utiliser la scie, bien s'assurer que le frein électrique fonctionne correctement. S'il ne fonctionne pas correctement, apporter l'outil à un SERVICE APRES-VENTE metabo HPT AGRÉÉ.
6. Préparer un établi de travail en bois (Fig. 18)
La lame de scie se déplaçant au-delà de la surface inférieure du matériau, placer le matériau sur un établi en bois pour effectuer la coupe. Si l'on utilise un bloc carré comme établi de travail, sélectionner un sol de niveau pour bien stabiliser le travail. Un établi de travail instable risque de rendre le travail dangereux.

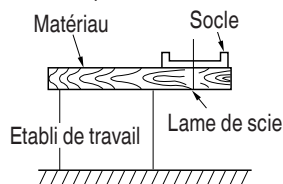


Fig. 18

- ⚠ PRÉCAUTION**
Pour éviter tout risque d'accident, toujours s'assurer que la section du matériau qui reste après la coupe est solidement ancrée ou maintenue en place.

7. Vérifier si le levier de profondeur de coupe et le levier d'inclinaison sont serrés.
Si le levier de profondeur de coupe (Fig. 21) et le levier d'inclinaison pour ajuster l'angle d'inclinaison (Fig. 22) sont lâches, des blessures peuvent en résulter. S'assurer qu'ils sont solidement serrés. Bien s'assurer qu'ils sont serrés à fond.
8. Protection des yeux
Toujours porter des lunettes de protection avec écrans latéraux qui répond aux exigences de la norme ANSI Z87.1. Les lunettes ordinaires ne fournissent pas une protection adéquate.

- ⚠ AVERTISSEMENT**
Utiliser l'outil sans porter une protection oculaire appropriée peut causer des blessures graves.

9. Vérifier l'insertion de la batterie

- ⚠ AVERTISSEMENT**
Si l'on insère la batterie alors que l'interrupteur se trouve à la position ON (marche), l'outil risque de démarrer immédiatement et de provoquer un grave accident.

- ⚠ PRÉCAUTION**
Enfoncer la batterie jusqu'à ce qu'elle se mette en place dans un petit déclic. Sinon, elle risque de tomber accidentellement de l'outil et de blesser l'opérateur ou les personnes alentour.

10. Marche d'essai
Après avoir vérifié qu'il n'y a personne derrière, mettre l'outil électrique en marche et vérifier qu'il n'y a pas d'anomalie de fonctionnement avant d'effectuer une coupe.
11. Vérifier la stabilité de rotation de la lame.
Pour assurer des coupes précises, faire tourner la lame et vérifier qu'il n'y a pas de flèche pour s'assurer que la lame ne présente pas d'instabilité évidente ; sinon, cela risque de provoquer des vibrations et un accident.
12. Utilisation du crochet

- ⚠ AVERTISSEMENT**
Pour réduire le risque de blessures de la scie tombant sur les utilisateurs ou les badauds, s'assurer qu'elle est solidement soutenue lors de l'utilisation du crochet pour accrocher la scie à un chevron, une poutre ou autre support élevé.

- (1) Tourner le crochet loin du corps de la scie pour l'accrocher à un chevron, une poutre ou autre support élevé. (Fig. 19)

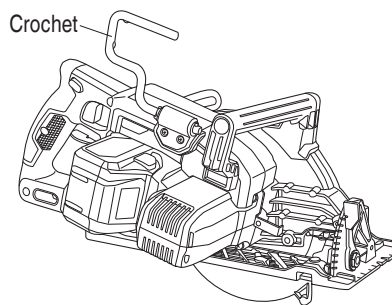


Fig. 19

- ⚠ AVERTISSEMENT**
Pour réduire le risque de blessure, ne pas utiliser la scie avec le crochet tourné sous le socle.

- (2) Lorsque non utilisé, retourner le crochet sur la position de rangement jusqu'à ce qu'il s'enclenche contre le corps de la scie.

13. Utilisation de la sous-poignée

Lors de l'utilisation de la scie, utiliser les deux mains pour tenir fermement la scie, une main sur la sous-poignée et l'autre main sur la poignée afin d'accroître la stabilité de fonctionnement de la scie pour éviter un possible recul.

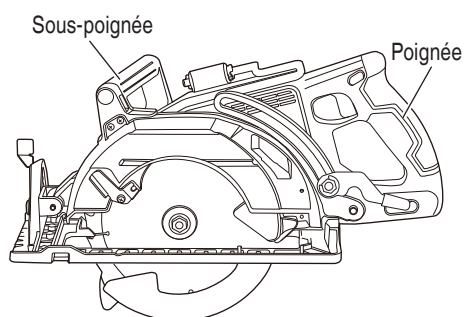


Fig. 20

RÉGLAGE DE LA SCIE AVANT UTILISATION

⚠ AVERTISSEMENT

Pour éviter un accident grave, s'assurer que l'interrupteur est sur OFF et extraire la batterie.

1. Réglage de la profondeur de coupe (Fig. 21)

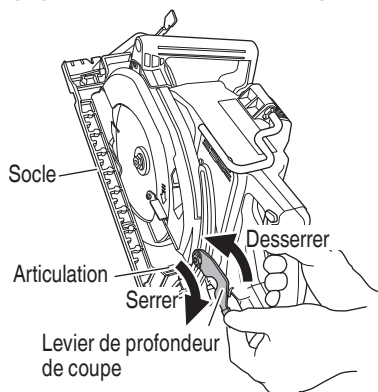


Fig. 21

⚠ AVERTISSEMENT

Si le levier de profondeur de coupe est lâche, des blessures peuvent en résulter. Le serrer solidement après le réglage.

Pour régler la profondeur de coupe, desserrer le levier de profondeur de coupe et, tout en tenant le socle d'une main, déplacer le corps principal de haut en bas pour obtenir la profondeur de coupe spécifiée.

Lorsque le réglage de la profondeur de coupe est terminé, resserrer à fond le levier de profondeur de coupe.

REMARQUE

L'échelle sur le côté du socle est précise seulement avec la profondeur de coupe maximale.

2. Réglage de l'angle d'inclinaison

⚠ AVERTISSEMENT

Si le levier d'inclinaison est lâche, des blessures peuvent en résulter. Le serrer solidement après le réglage.

Vous pouvez incliner la lame de scie de 0° à un angle maximal de 53° par rapport au socle.

Comme l'illustre la Fig. 22, desserrer le levier d'inclinaison de la jauge d'inclinaison et l'écrou d'inclinaison à oreilles permet d'incliner la lame de scie d'un angle maximal de 45° par rapport au socle.

Si un angle d'inclinaison de plus de 45° est utilisé, comme illustré à la Fig. 23, déplacer le levier d'inclinaison vers l'extérieur. La lame de scie peut être inclinée à un angle maximal de 53° par rapport au socle.

Toujours s'assurer que le levier d'inclinaison est bien serré après avoir effectué le réglage souhaité.

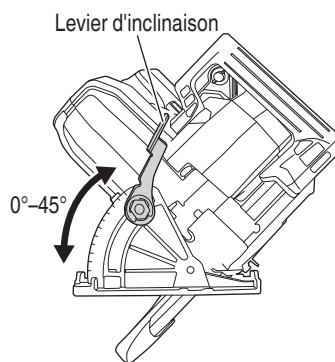


Fig. 22

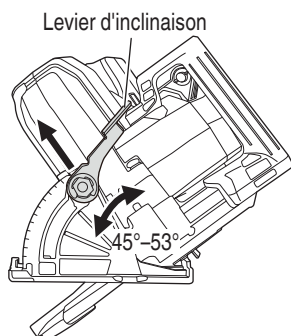


Fig. 23

3. Réglage de l'angle en biseau 90° (0°) (Fig. 24)

⚠ AVERTISSEMENT

Pour assurer des coupes précises, l'alignement devrait être inspecté et les ajustements faits avant utilisation.

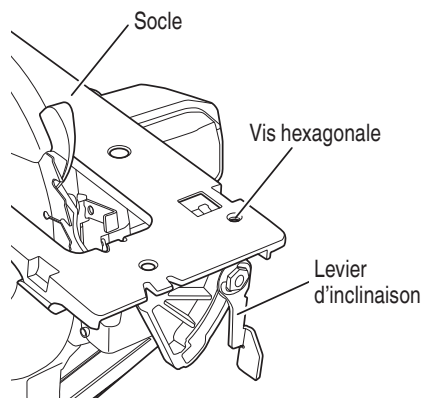


Fig. 24

- (1) Soulever le levier d'inclinaison pour régler la scie sur 90° (0°) puis serrer le levier.
- (2) Rentrer la protection inférieure et placer la scie à l'envers.
- (3) Placer une équerre combinée contre la lame et le socle pour vérifier que la lame est à 90° par rapport au socle.
- (4) Si la lame n'est pas à 90° par rapport au socle, tourner la vis hexagonale sur le bas du socle au moyen d'une clé hexagonale de 3 mm pour ajuster.
- (5) Vérifier la précision du réglage avec une coupe réelle sur un morceau de matériau.

UTILISATION

⚠ AVERTISSEMENT

- Ne jamais toucher les pièces mobiles.
- Ne jamais faire fonctionner la scie circulaire avec la lame de scie orientée vers le haut ou sur le côté.
- Ne pas fixer et bloquer le bouton de déverrouillage. Par ailleurs, éloigner le doigt de la gâchette lors du transport de la scie circulaire. L'interrupteur du corps principal pourrait se déclencher (ON) accidentellement et provoquer un accident imprévu.
- Ne pas utiliser de roues abrasives.
- Utiliser exclusivement des lames de diamètre spécifié sur la plaque signalétique du produit.
- Si la lame s'arrête ou qu'elle fait un bruit anormal pendant le fonctionnement, couper immédiatement l'interrupteur.
- Ne pas enlever la lame de la pièce pendant la coupe alors que la lame tourne.
- Toujours porter des lunettes de protection avec écrans latéraux qui répond aux exigences de la norme ANSI Z87.1. Les lunettes ordinaires ne fournissent pas une protection adéquate.
- Ne pas scier de matériaux, comme du métal, etc. susceptibles de projeter des étincelles.

⚠ PRÉCAUTION

- Sortir la batterie lorsque le travail est terminé.
- Pour prolonger sa durée de vie, la batterie lithiumion est équipée d'une fonction de protection qui coupe automatiquement l'alimentation. Par conséquent, en cas de surcharge de l'outil, il est possible que le moteur s'arrête. Il ne s'agit cependant pas d'un dysfonctionnement, mais du fonctionnement normal de la protection. Dans ce cas, actionnez le commutateur de l'outil et éliminez les causes de la surcharge.
- Avant utilisation, vérifier que le bouton de sécurité n'est pas bloqué.

REMARQUE

Faire attention à ne pas bloquer le moteur. Si le moteur se bloque, arrêter immédiatement l'outil. Si le moteur reste bloqué pendant un certain temps, le moteur ou la batterie risquent de brûler.

1. Vérifier si la lame de scie est bien fixée
Lorsque la lame de scie quitte nos usines, elle est solidement fixée et prête à fonctionner. Toutefois, à des fins de sécurité, la vérifier encore une fois avant l'utilisation. Il y a un boulon avec rondelle qui se visse dans le sens des aiguilles d'une montre. Vérifier qu'il est bien serré avec la clé à douille fournie. Utiliser la clé fournie pour vérifier. Pour plus de détails, voir la section [AVANT L'UTILISATION], page 49.

2. Vérifier si le levier est bien vissé
Si le levier de profondeur de coupe (Fig. 21) est lâche, des blessures peuvent en résulter. S'assurer qu'il est solidement serré.
3. Fonctionnement de l'interrupteur (Fig. 25)
Afin de garantir une utilisation en toute sécurité de la machine, un bouton de sécurité est situé sur le côté de la poignée.
Si la gâchette est tirée alors que vous appuyez sur le "bouton de déverrouillage" dans le sens de la flèche, l'interrupteur principal peut être activé.
Une fois la gâchette activée, la lame de scie continue de fonctionner tant que vous appuyez sur la gâchette, même si vous relâchez le bouton de déverrouillage.

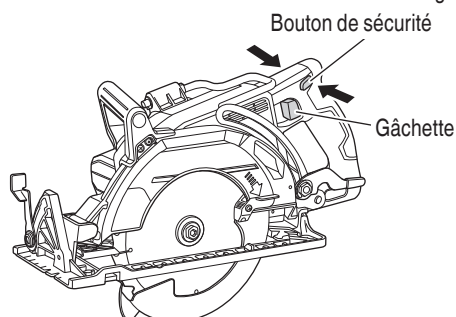


Fig. 25

4. Témoin de batterie résiduelle
Vous pouvez vérifier la capacité résiduelle de la batterie en appuyant sur le commutateur d'indicateur de batterie résiduelle pour allumer le témoin de l'indicateur. (Fig. 26, Tableau 5)
L'indicateur s'éteindra environ 3 secondes après avoir appuyé sur le commutateur de l'indicateur de batterie résiduelle.
Il est préférable d'utiliser l'indicateur de batterie résiduelle en tant que guide étant donné qu'il existe de légères différences, par exemple en fonction de la température ambiante et de l'état de la batterie.
De plus, l'indicateur de batterie résiduelle peut être différent de ceux équipés sur un outil ou un chargeur.

Témoin indicateur de batterie résiduelle Commutateur d'indicateur de batterie résiduelle

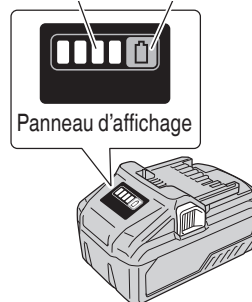


Fig. 26

Tableau 5

Statut de la lampe	Puissance batterie résiduelle
	S'allume ; La puissance résiduelle de la batterie est de plus de 75%.
	S'allume ; La puissance résiduelle de la batterie se situe entre 50 et 75%.
	S'allume ; La puissance résiduelle de la batterie se situe entre 25 et 50%.
	S'allume ; La puissance résiduelle de la batterie est de moins de 25%.
	Clignote ; La puissance résiduelle de la batterie est presque nulle. Rechargez la batterie le plus rapidement possible.
	Clignote ; Sortie suspendue en raison d'une température élevée. Retirez la batterie de l'outil et laissez-la refroidir complètement.
	Clignote ; Sortie interrompue en raison d'une défaillance ou un dysfonctionnement. Le problème ne provient peut-être pas de la batterie ; veuillez contacter votre revendeur.

Le témoin lumineux de puissance batterie résiduelle peut s'allumer différemment selon la température ambiante et les caractéristiques de la batterie. Utilisez donc ce tableau comme référence.

REMARQUE

Ne donnez pas de choc violent au panneau de commutation et ne le cassez pas. Cela peut provoquer des défaillances.

5. Procédures de coupe

⚠ PRÉCAUTION

- Vérifier une nouvelle fois que la lame de scie est bien solidement fixée.
- Confirmer que le levier d'inclinaison et le levier de profondeur de coupe sont correctement réglés.

(1) L'avant du socle a une entaille de guide de 90° et une entaille de guide de 45° pour la coupe en biseau et verticale. Les entailles de guide vous permettent de guider la scie le long des traits de coupe marqués sur la pièce à travailler.

De plus, la scie a les entailles de guide internes situées sur l'intérieur du socle comme illustré à la Fig. 27 pour maintenir la coupe droite.

(2) Lorsque le socle n'est pas incliné, utiliser le côté droit de l'encoche.

Si le socle est incliné (45 degrés), utiliser le côté gauche de l'encoche (Fig. 27).

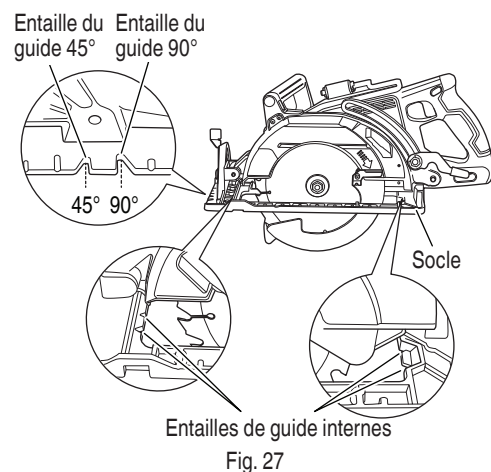


Fig. 27

REMARQUE

Lorsque l'on utilise la scie à une inclinaison de 45 degrés, utiliser les deux repères de [45 degrés] de la jauge d'inclinaison du socle (Fig. 28).

De plus, s'il est absolument essentiel d'utiliser la scie à un angle précis, effectuer le réglage à l'aide d'un rapporteur, etc.

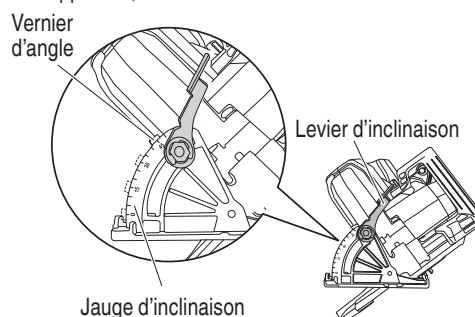


Fig. 28

(3) Vérifier que l'interrupteur est tourné sur la position ON (marche) avant que la lame de scie n'entre en contact avec le bois. L'interrupteur se déclenche (ON) quand on appuie sur la gâchette, et il se coupe quand on relâche la gâchette. Déplacer la scie en ligne droite et à vitesse constante pour obtenir le meilleur rendement de coupe possible. (Fig. 29)

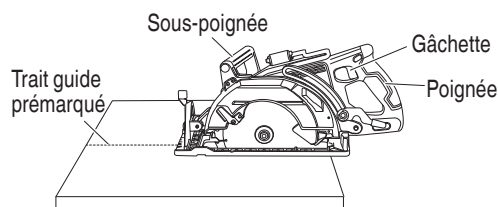


Fig. 29

⚠ PRÉCAUTION

- Avant de mettre la scie en marche, bien s'assurer que la lame de scie a atteint sa vitesse de régime.
- Lorsque le travail est terminé, sortir la batterie du corps principal.
- Pour éviter une surchauffe anormale de la pointe de la lame ou des dégâts à la lame de scie, ne pas tordre ou exercer une force excessive sur la lame de scie lors de la coupe. Laisser la lame avancer en douceur.
- Si la scie circulaire fonctionne de façon continue, les batteries étant remplacées au fur et à mesure par des batteries de rechange, le moteur aura tendance à surchauffer. Quand le logement devient chaud, laisser l'outil reposer quelque temps.

- **Ne pas effectuer de coupe si le fond du socle n'est pas bien à plat sur le matériau. Le moteur pourrait se bloquer.**

6. Sciage en long

⚠ AVERTISSEMENT

Pour éviter un accident grave, s'assurer que le guide (garde de refente) ne touche pas la lame de scie avant utilisation.

Le sciage en long consiste à couper des planches larges en bandes plus étroites – en coupant le fil du bois dans le sens de la longueur. Par conséquent, il est recommandé d'utiliser le guide metabo HPT (garde de refente) (accessoire en option, voir page 64) pour fournir le soutien et couper des planches de la même épaisseur. (Fig.30)

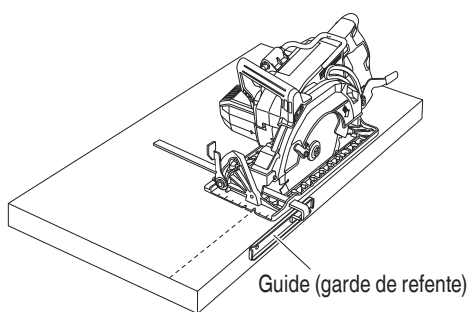


Fig. 30

7. Coupe de poches

⚠ AVERTISSEMENT

- **Ne jamais immobiliser la protection inférieure dans une position élevée. Ne jamais déplacer la scie en arrière pendant la coupe de poches. Cela pourrait causer le soulèvement de la scie de la surface de la pièce, ce qui pourrait provoquer des blessures.**
- **Pour éviter un accident grave, s'assurer que l'interrupteur est sur la position Arrêt et extraire la batterie avant tout réglage.**
- **Ne jamais attacher ni caler la garde inférieure en position relevée.**

- (1) Marquer bien lisiblement la section à couper avec des lignes sur tous les côtés. (Voir Fig. 31)

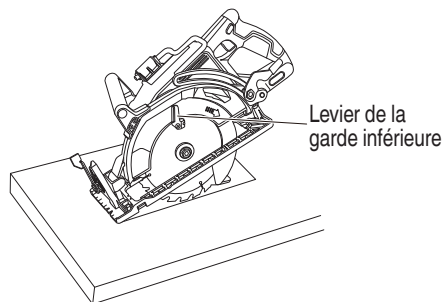


Fig. 31

- (2) Régler la profondeur de coupe en fonction du matériau à couper.
- (3) Pousser le levier à fond vers l'arrière jusqu'à ce que la lame soit exposée, comme indiqué à la Fig. 31.
- (4) Incliner la scie vers l'avant et aligner l'encoche (Fig. 27) sur la ligne de guidage pré-marquée.
- (5) Relâcher le levier. Lorsque la protection inférieure entre en contact avec la surface de la pièce, elle sera dans la bonne position pour s'ouvrir librement lorsqu'on commencera à couper.
- (6) Tout en tenant la scie en position, avec la lame sans contact avec la surface de la pièce, enclencher la gâchette.
- (7) Lorsque la scie a atteint sa vitesse de régime, abaisser progressivement l'extrémité arrière de la scie jusqu'à ce que le socle repose sur la surface de la pièce.
- (8) Avancer la scie le long de la ligne de coupe jusqu'au coin.
- (9) Relâcher la gâchette et laisser la lame complètement s'arrêter avant de retirer la lame de la pièce.
- En aucun cas on ne tirera la lame vers l'arrière pendant qu'elle tourne, car cela pourrait provoquer un retour de lame.
- (10) Utiliser une scie sauteuse ou une scie à main pour parfaire la coupe des coins.
- (11) Chaque fois qu'on commence une nouvelle coupe, recommencer les opérations ci-dessus.

⚠ AVERTISSEMENT

Ne jamais tenir la pièce dans vos mains ou sur votre jambe pendant la coupe. Immobiliser la pièce sur une plateforme stable. Il est important de soutenir la pièce correctement pour minimiser l'exposition du corps, le coincement de la lame ou la perte de contrôle.

8. Soutien approprié pour couper de larges pièces

NE PAS soutenir les pièces larges loin de la coupe.

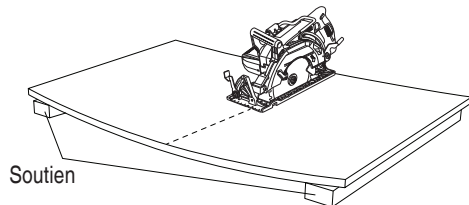


Fig. 32-a

TOUJOURS soutenir les pièces larges **près** de la coupe.

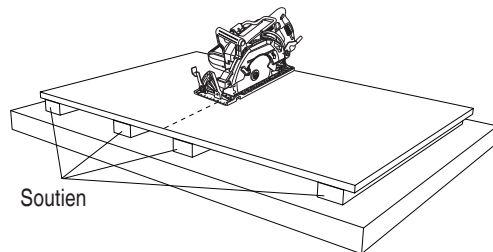


Fig. 32-b

Quand le soutien est éloigné de la trajectoire de coupe, il peut faire que les grandes pièces soient courbées. Dans un tel cas, la lame va probablement se coincer, causant un recul et augmentant la charge sur le moteur. (Fig. 32-a)

Par conséquent, pour éviter de possibles blessures corporelles ou recul, **TOUJOURS** couper les grandes pièces avec le soutien approprié, qui devra être à proximité de la trajectoire de coupe. (Fig. 32-b)

9. Réglage du guide (garde de refente) (vendu séparément)

Installer le boulon à ailettes et verrouiller le ressort sur le socle. Insérer le guide dans le socle, le déplacer vers la gauche et vers la droite et régler la position de coupe. Serrer le boulon à ailettes et fixer le guide. Il est possible d'installer le guide sur le côté gauche ou sur le côté droit du corps de l'outil.

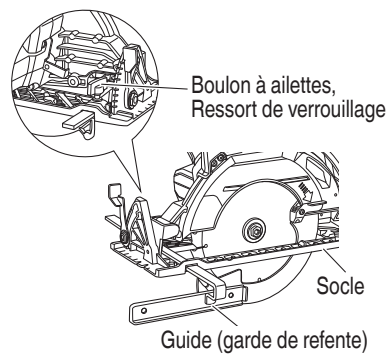


Fig. 33

10. Utilisation du capteur de poussière

Pour utiliser l'aspirateur afin de recueillir la sciure, fixez le boyau d'aspiration au capteur de poussière, lequel est fixé à l'unité principale avec le vis M4.

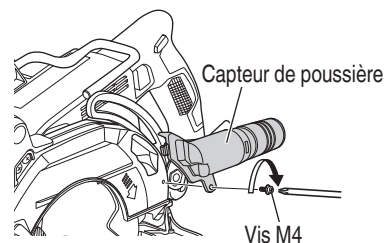













Fig. 34

À PROPOS DU VOYANT D'ERREUR DE L'ADAPTATEUR SECTEUR

Tableau 6

Indications du témoin lumineux						
	Statut	Témoin d'alimentation (VERT)	Voyant d'erreur (ROUGE)		Indique	
Adaptateur	Avant utilisation	Clignote 	S'éteint 		Branché dans une source d'alimentation	
	Sous tension	S'allume 	S'éteint 		L'outil peut être utilisé	
	Alimentation suspendue	Clignote 	Clignote 	S'allume pendant 0,5 seconde. Ne s'allume pas pendant 0,5 seconde. (Éteint pendant 0,5 seconde) 		L'adaptateur ne peut pas être utilisé en raison d'une température élevée. (Peut être utilisé une fois que l'adaptateur a refroidi)
		S'allume 		S'allume pendant 0,1 seconde. Ne s'allume pas pendant 0,1 seconde. (Éteint pendant 0,1 seconde) 		Surcharge
Boîtier	Alimentation suspendue	/	Clignote 	S'allume pendant 0,5 seconde. Ne s'allume pas pendant 0,5 seconde. (Éteint pendant 0,5 seconde) 	Impossible à utiliser, car la température dans le boîtier est trop élevée (Peut être utilisé une fois que la boîte a refroidi)	

ENTRETIEN ET INSPECTION

⚠ AVERTISSEMENT

Veiller à éteindre l'outil et à retirer la batterie avant de réaliser une inspection ou l'entretien.

1. Inspection de la lame de scie
L'utilisation continue d'une lame émoussée ou abîmée peut conduire à une réduction de l'efficacité de coupe et provoquer une surcharge du moteur. Remplacer la lame par une nouvelle dès que des traces d'abrasion apparaissent.

⚠ PRÉCAUTION

Avec une lame émoussée, la force de réaction augmente pendant la coupe. Éviter d'utiliser une lame émoussée sans la réparer.

2. Vérifier les vis
Des vis mal serrées sont dangereuses. Les inspecter régulièrement et vérifier qu'elles sont serrées à fond.

⚠ PRÉCAUTION

Il serait extrêmement dangereux d'utiliser cet outil électrique avec des vis mal serrées.

3. Entretien de l'ensemble moteur
Le bobinage du moteur est un élément important de cet outil. Éviter de l'endommager et prendre soin d'éviter tout contact avec de l'huile de nettoyage ou de l'eau.

Au bout de 50 heures d'utilisation, nettoyer le moteur en soufflant de l'air sec provenant d'un pistolet pneumatique ou autre outil dans les orifices de ventilation du boîtier du moteur (Fig. 35).

L'accumulation de particules ou de poussière dans le moteur peut provoquer des dégâts.

4. Inspection et entretien de la garde inférieure
Toujours s'assurer que la garde inférieure se déplace en douceur.

En cas de dysfonctionnement, réparer immédiatement la garde inférieure.

Pour le nettoyage et l'entretien, utiliser un pistolet pneumatique ou un autre outil pour souffler de l'air sec sur l'espace entre la garde inférieure et le carter de l'engrenage ainsi que sur la partie tournante de la garde inférieure (Fig. 35).

Ceci se révèle efficace en cas d'émissions de copeaux ou autres particules.

L'accumulation de copeaux ou autres particules autour de la garde inférieure peut provoquer un dysfonctionnement ou des dégâts.

⚠ AVERTISSEMENT

Pour éviter une inhalation de poussière ou une irritation oculaire, porter des lunettes de protection et un masque anti-poussière lors de l'utilisation d'un pistolet pneumatique ou d'un autre outil pour nettoyer la garde inférieure, les orifices de ventilation ou d'autres pièces du produit.

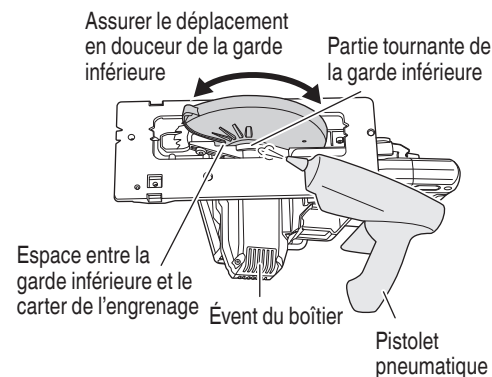


Fig. 35

5. Nettoyage à l'intérieur du carter de la scie
Inspecter et nettoyer périodiquement le carter de la scie pour garantir l'absence d'accumulation de copeaux ou autres particules.
6. Vérifier s'il y a de la poussière.
Enlever la poussière avec un chiffon doux ou un chiffon humecté d'eau savonneuse. Ne pas utiliser de décolorant, chlorure, essence ou diluant, car ces produits pourraient endommager le plastique.
7. Inspection des bornes (outil et batterie)
Assurez-vous qu'il n'y a pas de copeaux ou de poussières accumulés sur les bornes.
À l'occasion, vérifier avant, pendant et après le fonctionnement.

⚠ PRÉCAUTION

Retirez tous les copeaux ou la poussière qui se sont accumulés sur les bornes. Le non-respect de cette consigne pourrait provoquer un dysfonctionnement.

8. Lubrification
Les roulements sur cet outil ont été suffisamment lubrifiés avec une huile lubrifiante de qualité en prenant en compte la durée de vie prévue de cet outil dans des conditions normales de fonctionnement. Par conséquent, il n'est pas nécessaire de lubrifier davantage.
9. Mise au rebut d'une batterie usée

⚠ AVERTISSEMENT

Ne pas jeter la batterie usée aux ordures ménagères. La batterie risque d'exploser si elle est incinérée. La batterie est recyclable. Lorsqu'elle a atteint sa limite de service, selon les lois des états et les lois locales, il peut être illégal de jeter cette batterie aux ordures ménagères. Vérifier auprès de son service de ramassage d'ordures les options de recyclage et la procédure correcte de mise au rebut.

10. Rangement
Ranger dans un lieu dont la température est inférieure à 104°F (40°C), et hors de portée des enfants.

REMARQUE

Stockage des batteries au lithium-ion
Assurez-vous que les batteries au lithium-ion ont été entièrement chargées avant de les stocker.
Le stockage prolongé (3 mois ou plus) de batteries faiblement chargées peut entraîner une détérioration des performances, réduisant considérablement la durée d'autonomie des batteries alors incapables de tenir une charge.
Il est cependant possible de recouvrer la capacité d'autonomie d'une batterie considérablement endommagée en alternant deux à cinq fois charge et utilisation.
Si la durée d'autonomie de la batterie reste extrêmement courte malgré les charges et utilisations consécutives, considérez la batterie en fin de vie et procurez-vous en une neuve.

11. Entretien et réparation
Tous les outils motorisés de qualité auront éventuellement besoin d'une réparation ou du remplacement d'une pièce à cause de l'usure normale de l'outil. Pour assurer que seules des pièces de rechange autorisées seront utilisées, tous les entretiens et les réparations doivent être effectués uniquement par un SERVICE APRÈS-VENTE metabo HPT AGRÉÉ.

MODIFICATIONS :

Les outils électriques metabo HPT sont constamment améliorés et modifiés afin d'incorporer les tous derniers progrès technologiques.
En conséquence, il est possible que certaines pièces soient modifiées sans avis préalable.

Avis important sur les batteries pour outils électriques sans fil metabo HPT

Toujours utiliser une de nos batteries originales spécifiées. Nous ne saurions garantir la sécurité et la performance de notre outil électrique sans fil s'il est utilisé avec une batterie autre que celle que nous avons spécifié, ou encore si la batterie est démontée et modifiée (par exemple, le démontage et remplacement des cellules ou autres composants internes).

GUIDE DE DÉPANNAGE

⚠ AVERTISSEMENT

- Pour éviter les blessures suite à un démarrage accidentel, placer l'interrupteur sur la position Arrêt et extraire la batterie de la source d'alimentation ou retirer la batterie du corps principal avant d'effectuer des réglages.
- Toute réparation électrique ou mécanique doit être effectuée par un technicien qualifié. Contacter un centre de service autorisé de metabo HPT.

1. Outil électrique

Symptôme	Cause probable	Solution
L'outil ne fonctionne pas	Aucune énergie dans la batterie	Charger la batterie.
	La batterie n'est pas correctement installée.	Poussez la batterie jusqu'à ce que vous entendiez un dé clic.
L'outil s'est arrêté soudainement	L'outil était en surcharge	Débarrassez-vous du problème provoquant la surcharge.
	La protection contre la surcharge est en fonctionnement.	
	La batterie est en surchauffe.	Laissez la batterie refroidir.
Ne peut pas être incliné	Le levier d'inclinaison n'est pas lâche.	Essayez d'incliner après avoir desserré le levier d'inclinaison. Serrez les pièces desserrées après avoir procédé aux réglages nécessaires.
Ne coupe pas bien	La lame de scie est usée ou des dents sont manquantes.	Remplacez avec une nouvelle lame de scie.
	Le boulon est desserré.	Serrez fermement le boulon.
	La lame de scie est installé à l'envers.	Installez la lame de scie dans le bon sens.
Le commutateur ne peut pas être tiré	Le bouton de verrouillage n'est pas suffisamment enfoncé.	Enfoncer complètement le bouton de verrouillage.
La décharge de sciure de bois est faible	La sciure de bois s'est accumulée dans le couvercle de la scie.	Retirez la sciure de bois à l'intérieur du couvercle de la scie.
La batterie ne peut pas être installée	Essayer d'installer une batterie d'un autre type que celui défini pour l'outil.	Veillez installer une batterie de type multi-volt.

2. Chargeur

Symptôme	Cause probable	Solution
Le témoin de charge clignote rapidement en violet et le chargement de la batterie ne démarre pas.	La batterie n'est pas insérée jusqu'au bout.	Insérez la batterie fermement.
	Il y a une substance étrangère dans la borne de la batterie ou là où la batterie est fixée.	Retirez les corps étrangers.
Le témoin indicateur de chargement clignote en rouge et le chargement de la batterie ne démarre pas.	La batterie n'est pas insérée jusqu'au bout.	Insérez la batterie fermement.
	La batterie est en surchauffe.	Si laissez, la batterie commencera automatiquement à charger si la température diminue, mais cela peut réduire la vie de la batterie. Il est recommandé que la batterie soit refroidie dans un lieu bien ventilé à l'écart de la lumière directe du soleil avant de la charger.
La durée d'autonomie de la batterie est courte même si la batterie est complètement chargée.	La durée de vie de la batterie est usée.	Remplacez la batterie par une neuve.
La batterie prend un certain temps à charger.	La température de la batterie, le chargeur ou l'environnement est extrêmement faible.	Chargez la batterie à l'intérieur ou dans un autre environnement plus chaud.
	Les orifices du chargeur sont obstrués, ce qui risque de surchauffer ses composants internes.	Évitez de bloquer les orifices.
	Le ventilateur de refroidissement n'est pas en marche.	Contactez un centre de service après-vente metabo HPT agréé pour la réparation.
Le témoin d'alimentation USB s'est éteint et le dispositif USB a arrêté de charger.	La capacité de la batterie est devenue faible.	Remplacez la batterie par une qui a encore de la capacité.
		Branchez la fiche d'alimentation du chargeur dans une prise électrique.
Le témoin d'alimentation USB ne s'éteint pas, même si le dispositif USB a fini de charger.	Le témoins d'alimentation USB s'allume en vert afin d'indiquer que la charge USB est possible.	Il ne s'agit pas d'un dysfonctionnement.
L'état de charge d'un dispositif USB ou sa fin de chargement n'est pas clair.	Le témoin d'alimentation USB ne s'éteint pas même lorsque la charge est terminée.	Examinez le dispositif USB qui est en charge afin de confirmer son état de charge.
Le chargement d'un dispositif USB s'arrête en cours.	Le chargeur a été branché dans une prise électrique pendant que le dispositif USB était en charge à l'aide de la batterie de la source d'alimentation.	Il ne s'agit pas d'un dysfonctionnement. Le chargeur met en pause la charge USB pendant environ 5 secondes lorsqu'il différencie entre les sources d'alimentation.
	Une batterie a été insérée dans le chargeur pendant que le dispositif USB est en train d'être chargé à l'aide d'une prise électrique comme source d'alimentation.	

Symptôme	Cause probable	Solution
Le chargement du dispositif USB se met en pause à mi-chemin lorsque la batterie et le dispositif USB sont chargés en même temps.	La batterie est complètement chargée.	Il ne s'agit pas d'un dysfonctionnement. Le chargeur met en pause la charge USB pendant environ 5 secondes pendant qu'il vérifie si la batterie a été complètement chargée.
Le chargement du dispositif USB ne démarre pas lorsque la batterie et le dispositif USB sont chargés en même temps.	La capacité de la batterie restante est extrêmement faible.	Il ne s'agit pas d'un dysfonctionnement. Lorsque la capacité de la batterie atteint un certain niveau, la charge USB démarre automatiquement.

3. Adaptateur secteur

Problème	Origine possible	Solution possible
Le voyant d'erreur de l'adaptateur clignote en rouge et l'outil ne fonctionne pas lorsqu'il est mis sous tension.	La puissance fournie est suspendue parce que l'outil ou l'adaptateur secteur surchauffe.	Laisser refroidir suffisamment l'outil et l'adaptateur secteur.
Le voyant d'erreur de l'adaptateur clignote rapidement en rouge et le moteur ne tourne pas lorsque l'outil est mis sous tension.	La puissance fournie est suspendue parce que l'outil surchauffe.	Éliminer la cause de la surcharge.
Pendant la fonction de protection, la DEL clignotera différemment pour l'utilisation de l'adaptateur secteur et l'utilisation de la batterie.		Il ne s'agit pas d'un dysfonctionnement.

ACCESSOIRES

⚠ AVERTISSEMENT

TOUJOURS utiliser UNIQUEMENT des pièces de rechange et des accessoires metabo HPT. Ne jamais utiliser de pièce de rechange ou d'accessoires qui ne sont pas prévus pour être utilisés avec cet outil. En cas de doute, contacter metabo HPT pour savoir si une pièce de rechange ou un accessoire particulier peuvent être utilisés en toute sécurité avec votre outil.

L'utilisation de tout autre attachement ou accessoire peut être dangereux et peut causer des blessures ou des dommages mécaniques.

REMARQUE

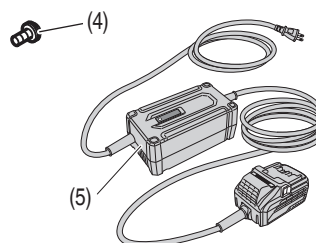
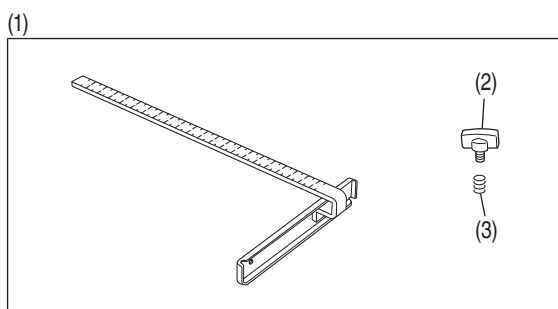
Les accessoires sont sujets à changement sans obligation de la part de metabo HPT.

ACCESSOIRES STANDARD

C3607DWA (WCK)	1. Lame de scie 1					
	<table border="1"> <thead> <tr> <th>Dia. externe</th> <th>Dia. d'orifice</th> <th>No. de code</th> </tr> </thead> <tbody> <tr> <td>7-1/4" (185 mm)</td> <td>5/8" (15,9 mm)</td> <td>115750M</td> </tr> </tbody> </table>	Dia. externe	Dia. d'orifice	No. de code	7-1/4" (185 mm)	5/8" (15,9 mm)
Dia. externe	Dia. d'orifice	No. de code				
7-1/4" (185 mm)	5/8" (15,9 mm)	115750M				
	2. Clé (No. de code 957683) 1					
	3. Ensemble du capteur de poussière (No. de code 324887) (inclut (4)) ... 1					
	4. Chargeur de batterie (UC18YSL3) 1					
	5. Batterie (BSL36B18) 1					
	6. Couvercle de batterie (No. de code 329897) 1					
	7. Sac (No. de code 371108) 1					
C3607DWA (NN)	La batterie, le chargeur de batterie, le couvercle de la batterie et le sac ne sont pas inclus.					

ACCESSOIRES EN OPTION.....vendus séparément

- | | |
|---|--|
| (1) Guide (garde de refente) (No. de code 378052) | (4) Vis M4 (pour capteur de poussière)
(No. de code 935196) |
| (2) Boulon-papillon (No. de code 301806) | (5) Adaptateur secteur (ET36A) |
| (3) Ressort de verrouillage (No. de code 947859) | |



REMARQUE

Les spécifications sont sujettes à modification sans aucune obligation de la part de metabo HPT.

INFORMACIÓN IMPORTANTE SOBRE SEGURIDAD

Antes de utilizar o de realizar cualquier trabajo de mantenimiento de esta herramienta eléctrica, lea y comprenda todas las precauciones de seguridad, advertencias e instrucciones de funcionamiento de este Manual de instrucciones.

La mayoría de los accidentes producidos en la operación y el mantenimiento de una herramienta eléctrica se deben a la falta de observación de las normas o precauciones de seguridad. Los accidentes normalmente podrán evitarse reconociendo una situación potencialmente peligrosa a tiempo y siguiendo los procedimientos de seguridad apropiados.

Las precauciones básicas de seguridad se describen en la sección "SEGURIDAD" de este Manual de instrucciones y en las secciones que contienen las instrucciones de operación y mantenimiento.

Para evitar lesiones o el daño de la herramienta eléctrica, los riesgos están identificados con ADVERTENCIAS en dicha herramienta y en este Manual de instrucciones.

No utilice **NUNCA** esta herramienta eléctrica de ninguna forma que no esté específicamente recomendada por metabo HPT.

SIGNIFICADO DE LAS PALABRAS DE SEÑALIZACIÓN

ADVERTENCIA indica situaciones potencialmente peligrosas que, si se ignoran, pueden resultar en la muerte o en lesiones de gravedad.

PRECAUCIÓN indica situaciones potencialmente peligrosas que, de no evitarse, pueden resultar en lesiones menores o moderadas, o causar daños en la herramienta eléctrica.

NOTA acentúa información esencial.

SEGURIDAD

ADVERTENCIAS DE SEGURIDAD GENERAL DE LA HERRAMIENTA ELÉCTRICA

⚠ ADVERTENCIA

Lea todas las advertencias de seguridad, instrucciones, ilustraciones y especificaciones proporcionadas con esta herramienta eléctrica.

Si no sigue las instrucciones que se indican a continuación, podrían producirse descargas eléctricas, incendios o lesiones graves.

Guarde todas las advertencias e instrucciones para futura referencia.

El término "herramienta eléctrica" en las advertencias hace referencia a la herramienta eléctrica que funciona con la red de suministro (con cable) o a la herramienta eléctrica que funciona con pilas (sin cable).

- | | |
|---|--|
| <p>1) Seguridad en el área de trabajo</p> <p>a) Mantenga la zona de trabajo limpia y bien iluminada.
Las zonas desordenadas o oscuras pueden provocar accidentes.</p> <p>b) No utilice las herramientas eléctricas en entornos explosivos como, por ejemplo, en presencia de líquidos inflamables, gases o polvo.
Las herramientas eléctricas crean chispas que pueden hacer que el polvo desprenda humo.</p> <p>c) Mantenga a los niños y transeúntes alejados cuando utilice una herramienta eléctrica.
Las distracciones pueden hacer que pierda el control.</p> | <p>2) Seguridad eléctrica</p> <p>a) Los enchufes de las herramientas eléctricas tienen que ser adecuados a la toma de corriente.
No modifique el enchufe.
No utilice enchufes adaptadores con herramientas eléctricas conectadas a tierra.
Si no se modifican los enchufes y se utilizan tomas de corriente adecuadas se reducirá el riesgo de descarga eléctrica.</p> <p>b) Evite el contacto corporal con superficies conectadas a tierra como tuberías, radiadores y frigoríficos.
Hay mayor riesgo de descarga eléctrica si su cuerpo está en contacto con el suelo.</p> <p>c) No exponga las herramientas eléctricas a la lluvia o a la humedad.
La entrada de agua en una herramienta eléctrica aumentará el riesgo de descarga eléctrica.</p> |
|---|--|

- d) **No utilice el cable incorrectamente. No utilice el cable para transportar, tirar de la herramienta eléctrica o desenchufarla.**
Mantenga el cable alejado del calor, del aceite, de bordes afilados o piezas móviles. Los cables dañados o enredados aumentan el riesgo de descarga eléctrica.
- e) **Cuando utilice una herramienta eléctrica al aire libre, utilice un cable prolongador adecuado para utilizarse al aire libre.**
La utilización de un cable adecuado para usarse al aire libre reduce el riesgo de descarga eléctrica.
- f) **Si no se puede evitar el uso de una herramienta eléctrica en un lugar húmedo, utilice un suministro protegido mediante un dispositivo de corriente residual (RCD).**
El uso de un RCD reduce el riesgo de descarga eléctrica.
- 3) **Seguridad personal**
- a) **Esté atento, preste atención a lo que hace y utilice el sentido común cuando utilice una herramienta eléctrica.**
No utilice una herramienta eléctrica cuando esté cansado o esté bajo la influencia de drogas, alcohol o medicación.
La distracción momentánea cuando utiliza herramientas eléctricas puede dar lugar a importantes daños personales.
- b) **Utilice un equipo de protección. Utilice siempre una protección ocular.**
Usar equipo de protección tal como mascarilla, zapatos de seguridad antideslizantes, casco o protección auditiva para las condiciones adecuadas reducirá el riesgo de sufrir lesiones.
- c) **Evite un inicio involuntario. Asegúrese de que el interruptor está en "off" antes de conectar la herramienta a una fuente de alimentación y/o batería, cogerla o transportarla.**
El transporte de herramientas eléctricas con el dedo en el interruptor o el encendido de herramientas eléctricas con el interruptor encendido puede provocar accidentes.
- d) **Retire las llaves de ajuste antes de encender la herramienta eléctrica.**
Si se deja una llave en una pieza giratoria de la herramienta eléctrica podrían producirse daños personales.
- e) **No se extralimite. Mantenga un equilibrio adecuado en todo momento.**
Esto permite un mayor control de la herramienta eléctrica en situaciones inesperadas.
- f) **Vístase adecuadamente. No lleve prendas sueltas o joyas. Mantenga su cabello y ropa alejados de las partes móviles.**
La ropa suelta, las joyas y el pelo largo pueden pillarse en las piezas móviles.
- g) **Si se proporcionan dispositivos para la conexión de extracción de polvo e instalaciones de recogida, asegúrese de que están conectados y se utilizan adecuadamente.**
La utilización de un sistema de recogida de polvo puede reducir los riesgos relacionados con el polvo.
- h) **No permita que operar frecuentemente con herramientas le haga ser complaciente e ignorar los principios de seguridad de la herramienta.**
Una acción descuidada puede provocar lesiones severas en una fracción de segundo.
- 4) **Utilización y mantenimiento de las herramientas eléctricas**
- a) **No fuerce la herramienta eléctrica. Utilice la herramienta eléctrica correcta para su aplicación.**
La herramienta eléctrica correcta trabajará mejor y de forma más segura si se utiliza a la velocidad para la que fue diseñada.
- b) **No utilice la herramienta eléctrica si el interruptor no la enciende y apaga.**
Las herramientas eléctricas que no pueden controlarse con el interruptor son peligrosas y deben repararse.
- c) **Desconecte el conector de la fuente de alimentación o desconecte el paquete de baterías, si puede ser desmontado, de la herramienta eléctrica antes de realizar ajustes, cambiar accesorios o almacenar las herramientas eléctricas.**
Estas medidas de seguridad preventivas reducen el riesgo de que la herramienta eléctrica se ponga en marcha accidentalmente.
- d) **Guarde las herramientas eléctricas que no se utilicen para que no las cojan los niños y no permita que utilicen las herramientas eléctricas personas no familiarizadas con las mismas o con estas instrucciones.**
Las herramientas eléctricas son peligrosas si son utilizadas por usuarios sin formación.
- e) **Mantenga adecuadamente las herramientas eléctricas y los accesorios. Compruebe si las piezas móviles están mal alineadas o unidas, si hay alguna pieza rota u otra condición que pudiera afectar al funcionamiento de las herramientas eléctricas.**
Si la herramienta eléctrica está dañada, llévela a reparar antes de utilizarla.
Se producen muchos accidentes por no realizar un mantenimiento correcto de las herramientas eléctricas.

- f) **Mantenga las herramientas de corte afiladas y limpias.**
Las herramientas de corte correctamente mantenidas con los bordes de corte afilados son más fáciles de controlar.
- g) **Utilice la herramienta eléctrica, los accesorios y las brocas de la herramienta, etc. de acuerdo con estas instrucciones, teniendo en cuenta las condiciones laborales y el trabajo que se va a realizar.**
La utilización de la herramienta eléctrica para operaciones diferentes a pretendidas podría dar lugar a una situación peligrosa.
- h) **Mantenga los asideros y las superficies de agarre secos, limpios y libres de aceite y grasa.**
Los asideros y las superficies de agarre resbaladizas no permiten un manejo y un control seguros de la herramienta en situaciones inesperadas.
- 5) **Utilización y cuidado de las herramientas a pilas**
- a) **Recargue sólo con el cargador especificado por el fabricante.**
Un cargador que es apto para un tipo de paquete de pilas podría crear un riesgo de incendio cuando se utiliza con otro paquete de pilas.
- b) **Utilice herramientas eléctricas sólo con paquetes de pilas específicamente diseñados.**
La utilización de otros paquetes de pilas podría crear riesgo de daños e incendio.
- c) **Cuando no se utilice el paquete de pilas, manténgalo alejado de otros objetos metálicos como clips, monedas, llaves, clavos, tornillos u otros objetos metálicos pequeños que puedan hacer una conexión de un terminal a otro.**
Si se acortan los terminales de las pilas podrían producirse quemaduras o incendios.
- d) **Bajas condiciones abusivas, podría expulsarse líquido de la pila; evite todo contacto. En caso de que se produzca contacto accidentalmente, enjuague con agua. Si entra líquido en los ojos, busque ayuda médica.**
El líquido expulsado de la pila podría causar irritación o quemaduras.
- e) **No use paquetes de baterías o herramientas dañados o modificados.**
Las baterías dañadas o modificadas podrían comportarse impredeciblemente y causar un incendio, una explosión o riesgo de lesiones.
- f) **No exponga los paquetes de batería o las herramientas al fuego o temperaturas excesivas.**
La exposición al fuego o a temperaturas por encima de 265 °F pueden causar una explosión.
- g) **Siga todas las instrucciones de carga y no cargue el paquete de baterías ni la herramienta fuera de la gama de temperatura especificada en las instrucciones.**
La carga incorrecta o a temperaturas fuera de la gama especificada pueden dañar la batería y aumentar el riesgo de incendio.
- 6) **Revisión**
- a) **Lleve su herramienta a que la revise un experto cualificado que utilice sólo piezas de repuesto idénticas.**
Esto garantizará el mantenimiento de la seguridad de la herramienta eléctrica.
- b) **Nunca dé servicio a paquetes de baterías dañados.**
El servicio de los paquetes de baterías solo debe ser realizado por el fabricante o proveedores de servicios autorizados.

– ADVERTENCIA –

Para disminuir el riesgo de lesiones, el usuario debe leer el manual de instrucciones.

ADVERTENCIAS DE SEGURIDAD DE LA SIERRA CIRCULAR INALÁMBRICA CON MANGO POSTERIOR

Procedimientos de corte

- a) **⚠ PELIGRO: Mantenga las manos alejadas del área de corte y de la hoja. Mantenga la segunda mano colocada en el asidero secundario.**
Si sujeta la sierra con las dos manos, no se cortará con la hoja.
- b) **No se coloque debajo de la pieza de trabajo.**
El protector no puede protegerle de la hoja debajo de la pieza de trabajo.
- c) **Ajuste la profundidad de corte al grosor de la pieza de trabajo.**
Debajo de la pieza de trabajo sólo debe quedar visible menos de un diente completo de la hoja.
- d) **No sostenga la pieza de trabajo en las manos ni a lo largo de la pierna durante el corte. Fije la pieza de trabajo a una plataforma estable.**
Es importante que apoye la pieza de trabajo de forma adecuada para evitar que su cuerpo quede expuesto a la sierra, que la hoja se quede atascada o que se pierda el control.
- e) **Agarre la herramienta eléctrica por las superficies de agarre aisladas, cuando realice una operación en la que la herramienta de corte pueda contactar con el cableado oculto.**
Entrar en contacto con un cable "vivo" también provocará que las partes metálicas expuestas de la herramienta eléctrica estén "vivas" y podría originar una descarga eléctrica al operario.

- f) **Cuando realice un corte al hilo, utilice siempre un tope-guía o una guía de borde recto.**
Esto mejorará la precisión del corte y reducirá las posibilidades de que se atasque la hoja.
- g) **Utilice siempre hojas con orificios de árbol con el tamaño y la forma correctos (rombo frente a círculo).**
Las cuchillas que no coincidan con la estructura de montaje de la sierra se descentrarán y provocarán pérdida de control.
- h) **No utilice nunca arandelas o pernos de hoja dañados o inadecuados.**
Las arandelas y los pernos de la hoja han sido diseñados especialmente para dicha hoja, con el fin de garantizar un rendimiento y seguridad óptimos.

Causas de rebote y advertencias afines

- el retroceso es una reacción repentina a una hoja de sierra enganchada, atascada o mal alineada, que causa que una sierra descontrolada se levante y salga de la pieza de trabajo en dirección al operador;
- cuando la hoja se engancha o atasca con fuerza porque el corte de la sierra se cierra, la hoja se bloquea y la reacción del motor desplaza la unidad rápidamente hacia atrás en dirección al operador;
- si la hoja se tuerce o pierde la alineación durante el corte, los dientes del borde posterior de la hoja pueden clavarse en la superficie superior de la madera y hacer que la hoja se salga de la vía y vuelva hacia el operador.

El retroceso es el resultado de un mal uso de la sierra y/o unos procedimientos o condiciones de funcionamiento incorrectos y se puede evitar tomando las precauciones adecuadas que se indican a continuación.

- a) **Sujete la sierra firmemente con las dos manos y coloque los brazos de tal forma que resistan las fuerzas de retroceso. Coloque el cuerpo a uno de los lados de la hoja, no en línea con ésta.**
El retroceso podría hacer que la sierra salte hacia atrás, pero las fuerzas de retroceso pueden ser controladas por el operador, si se toman las precauciones adecuadas.
- b) **Cuando se atasca la hoja o se interrumpe el corte por cualquier razón, libere el interruptor de activación y mantenga la sierra sin moverla en el material hasta que ésta se detenga por completo.**
No intente extraer la sierra de la pieza de trabajo ni tire de ella hacia atrás mientras la hoja está en movimiento, ya que puede producirse un retroceso.
Investigue y tome las medidas adecuadas para eliminar la causa del atascamiento de la hoja.

- c) **Cuando vuelva a poner en marcha la sierra en la pieza de trabajo, centre la cuchilla de la sierra en el corte de la sierra para que los dientes de la sierra no entren en contacto con el material.**
Si la cuchilla de la sierra se bloquea, puede desplazarse hacia arriba o provocar un retroceso con respecto a la pieza de trabajo al volver a poner en marcha la sierra.
- d) **Utilice soportes adecuados para apoyar los paneles grandes, con el fin de minimizar el riesgo de que la hoja se enganche o se produzca un retroceso.**
Los paneles grandes tienden a combarse por su propio peso. Se deben colocar soportes bajo el panel en ambos lados, cerca de la línea de corte y cerca del borde del panel.
- e) **No utilice hojas melladas o dañadas.**
Las hojas no afiladas o mal ajustadas hacen que una vía estrecha provoque una fricción excesiva, que se atasque la hoja y que se produzca un retroceso.
- f) **Las palancas de bloqueo de ajuste de profundidad de la hoja y del bisel deben estar firmes y seguras antes de realizar el corte.**
Si el ajuste de la hoja cambia durante el corte, se puede producir un atasco de la hoja o un retroceso.
- g) **Emplee una precaución extrema al serrar en muros existentes u otros puntos ciegos.**
La hoja que sobresale puede cortar objetos y provocar un retroceso.

Función de la protección inferior

- a) **Compruebe si el protector inferior se cierra correctamente antes de cada uso. No opere la sierra si el protector inferior no se mueve con libertad y se cierra al instante. No sujete ni ate el protector inferior en la posición de apertura.**
Si la sierra se cae de forma accidental, el protector inferior podría doblarse.
Levante el protector inferior con el mango retráctil y asegúrese de que se mueve libremente y no toca la hoja ni ninguna otra pieza, en todos los ángulos y profundidades de corte.
- b) **Compruebe el funcionamiento del resorte del protector inferior. Si el protector y el resorte no funcionan correctamente, deben ser reparados antes de usar la sierra.**
El protector inferior puede funcionar lentamente porque hay alguna pieza dañada, hay restos de pegamento o existe una acumulación de residuos.
- c) **El protector inferior solo puede replegarse manualmente en el caso de los cortes especiales, como los "cortes con penetración" y los "cortes compuestos".**
Eleve el protector inferior con el mango retráctil y, tan pronto como la hoja entre en el material, suelte el protector inferior.

Para el resto de cortes, el protector debería funcionar automáticamente.

d) Asegúrese en todo momento de que el protector inferior cubra la hoja antes de colocar la sierra sobre el banco o el suelo.

El deslizamiento de la hoja sin protección puede hacer que la sierra se desplace hacia atrás y corte lo que encuentre a su paso.

Tenga en cuenta el tiempo que tarda la hoja en detenerse después de accionar el interruptor.

Otros

1. Vístase SIEMPRE la ropa adecuada. No utilice ropa floja, guantes, corbatas, anillos, brazaletes, ni demás joyas que puedan quedar atrapados en las partes móviles y provocar lesiones personales. Cúbrase el cabello para recoger el pelo largo.
2. Use SIEMPRE protección ocular. Las herramientas eléctricas pueden arrojar objetos extraños hacia los ojos y provocar daños oculares permanentes. Lleve SIEMPRE gafas de seguridad (no gafas comunes) que cumplan con los requisitos de la norma de seguridad ANSI Z87.1. Las gafas comunes solo tienen cristales resistentes a los impactos. NO son gafas de seguridad.
3. Lleve el equipamiento de protección personal adecuado cuando sea necesario, que podría incluir:
 - protección auditiva para reducir el riesgo de sufrir pérdida auditiva inducida;
 - protección ocular;
 - protección respiratoria aprobada por NIOSH/OSHA para reducir el riesgo de inhalación de polvo dañino;
 - guantes para manejar las hojas de sierra (las hojas de sierra deben transportarse en un soporte cuando sea posible) y el material rugoso.
4. Manténgase alerta. No opere la sierra si está cansado o si se encuentra bajo la influencia de drogas, alcohol o medicamentos que pudiesen afectar a su capacidad de utilizar debidamente la herramienta.
5. Mantenga el entorno de trabajo bien ventilado. Algunos polvos creados por el lijado mecánico, el aserrado, el esmerilado, el taladrado y otras actividades de construcción contienen sustancias químicas que provocan cáncer, defectos congénitos u otros daños reproductores. Por lo tanto, trabaje en un lugar bien ventilado y realice el trabajo utilizando el equipamiento apropiado, tal como máscaras para el polvo especialmente diseñadas para eliminar las partículas minúsculas.

6. Evite el contacto prolongado con polvo procedente de lijado, aserrado, esmerilado, taladrado y otras actividades relacionadas con la construcción. Lleve ropa de protección y limpie las zonas expuestas con agua y jabón. Si el polvo entra en contacto con su boca, sus ojos o su piel, tendrá más posibilidades de absorber estas sustancias químicas nocivas.
7. Para evitar incendios o reacciones tóxicas, no utilice gasolina, nafta, acetona, diluyente de laca ni disolventes altamente volátiles similares para limpiar la sierra.

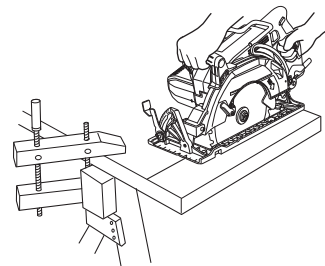
NORMAS ESPECÍFICAS DE SEGURIDAD

1. **Ajustes.** Antes de ajustar, asegúrese de que los ajustes de profundidad y biselado estén bien hechos.
2. **Evite cortar clavos.** Antes de cortar, inspeccione la pieza de trabajo y quite todos los clavos que ésta pueda tener.
3. **Cuando opere la sierra, mantenga el cordón alejado del área de corte, y posicione la pieza de trabajo de manera que no quede atrapado en la pieza de trabajo durante la operación de corte.**

Trabaje con un soporte de mano apropiado, un soporte de pieza de trabajo apropiado, y procure encaminar el cordón de manera que quede alejado del área de trabajo.

⚠ ADVERTENCIA

Es importante apoyar correctamente la pieza que vaya a ser cortada y sujetar firmemente la sierra para impedir perder su control y evitar lesiones graves. La Fig. 1 muestra la sujeción típica de la sierra.



UNA ILUSTRACIÓN TÍPICA DEL APOYO DE LA PIEZA DE TRABAJO Y DEL APOYO DE LA MANO CORRECTOS.

Fig. 1

4. **Coloque la parte más ancha de la base en la parte de la pieza de trabajo firmemente apoyada, no en la sección que caerá al realizar el corte.**

Como ejemplos, en la Fig. 2 se muestra la manera CORRECTA de cortar el extremo de una tabla, y en la Fig. 3, la manera INCORRECTA. Si la pieza de trabajo es demasiado corta o pequeña, fijela.

¡NO INTENTE SUJETAR PARTES CORTAS CON LA MANO!

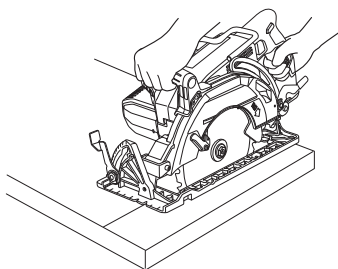


Fig. 2

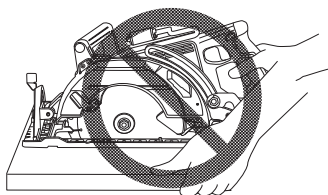


Fig. 3

5. **No intente nunca cortar colocando la sierra circular de manera invertida sobre un banco de trabajo.**

Esto es sumamente peligroso y puede producir accidentes de gravedad. (Fig. 4)

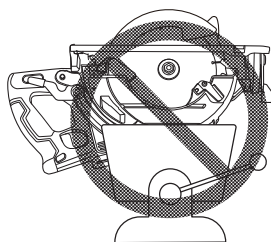


Fig. 4

6. **Antes de bajar la herramienta después de finalizar un corte, asegúrese de que el protector inferior (telescopizante) se haya cerrado y que la hoja esté completamente detenida.**

7. **No toque nunca las piezas móviles.**

No coloque nunca sus manos, dedos, ni demás partes del cuerpo cerca de las piezas móviles de la herramienta.

8. **No utilice nunca la herramienta sin los protectores colocados en su lugar.**

No utilice nunca esta herramienta sin los protectores de seguridad correctamente instalados. Si el trabajo de mantenimiento o de reparación requiere el desmontaje de un protector de seguridad, cerciórese de volver a instalarlo antes de utilizar la herramienta.

9. **Utilice la herramienta correcta.**

No fuerce herramientas ni accesorios pequeños para realizar un trabajo pesado.

No utilice las herramientas para fines no proyectados, por ejemplo, no utilice esta amoladora angular para cortar madera.

10. **No utilice nunca una herramienta eléctrica para aplicaciones que no sean las especificadas.**

No utilice nunca una herramienta eléctrica para aplicaciones no especificadas en este Manual de instrucciones.

11. **Maneje correctamente la herramienta.**

Maneje la herramienta de acuerdo con las instrucciones ofrecidas aquí. No deje caer ni tire la herramienta. No permita nunca que los niños ni otras personas no autorizadas ni familiarizadas con la operación de la herramienta utilicen ésta.

12. **Definiciones para los símbolos.**

V voltios
 = Corriente continua
 No Velocidad sin carga
 ---/min Revoluciones o reciprocación por minuto
 Hz hertzios
 A amperios

13. **No haga funcionar la sierra mientras la lleve hacia su lado.**

14. **Mantenga todos los tornillos, pernos, y cubiertas firmemente fijados en su lugar.**

Mantenga todos los tornillos, pernos, y cubiertas firmemente montados. Compruebe periódicamente su condición.

15. **No utilice herramientas eléctricas si la carcasa o la empuñadura de plástico está rajada.**

Las rajaduras en la carcasa o en la empuñadura de plástico pueden conducir a descargas eléctricas. Tales herramientas no deberán utilizarse mientras no se hayan reparado.

16. **Las cuchillas y los accesorios deberán montarse con seguridad en la herramienta.**

Evite lesiones personales y de otras personas. Las cuchillas, los accesorios de corte, y demás accesorios montados en la herramienta deberán fijarse con seguridad.

17. No utilice nunca una herramienta defectuosa o que funcione anormalmente.

Si la herramienta parece que funciona anormalmente, produciendo ruidos extraños, etc., deje inmediatamente de utilizarla y solicite su arreglo a un centro de servicio autorizado por metabo HPT.

18. Maneje con cuidado las herramientas eléctricas.

Si una herramienta eléctrica se ha caído o ha chocado inadvertidamente contra materiales duros, es posible que se haya deformado, rajado, o dañado.

19. No limpie las partes de plástico con disolvente.

Los disolventes, como gasolina, diluidor de pintura, bencina, tetracloruro de carbono, y alcohol pueden dañar o rajar las partes de plástico. No las limpie con tales disolventes.

Limpie las partes de plástico con un paño suave ligeramente humedecido en agua jabonosa y después séquelas bien.

20. No utilice NUNCA guantes de un material que pueda enrollarse, como algodón, lana, tela o cordel, etc.**21. Mantenga limpio el conducto de ventilación del motor.**

El conducto de ventilación del motor limpio para que el aire pueda circular libremente en todo momento. Compruebe frecuentemente y limpie el polvo acumulado.

22. NO deje NUNCA la herramienta en funcionamiento desatendida. Desconecte su alimentación.

No deje sola la herramientas hasta mientras no se haya parado completamente.

23. NO toque NUNCA la hoja de sierra con las manos desnudas después de la operación.**24. Como la sierra circular inalámbrica funciona con una batería, tenga en cuenta que puede comenzar a funcionar en cualquier momento.****25. Cuando trabaje en lugares elevados, no permita que haya nadie en el área, y tenga en cuenta las condiciones del lugar situado debajo de usted.****26. No permita que el panel de interruptores reciba un fuerte impacto ni que se rompa. Esto puede dar lugar a un problema.****27. No use el producto si la herramienta o los terminales de la batería (el soporte de la batería) están deformados. Instalar tal batería podría causar un cortocircuito que podría resultar en emisiones de humo o incendios.****28. Mantenga los terminales de la herramienta (soporte de la batería) libres de virutas y polvo.**

○ Antes de su uso, asegúrese de que no se han acumulado virutas ni polvo en la zona de los terminales.

○ Durante el uso, intente evitar que las virutas o el polvo de la herramienta caigan sobre la batería.

○ Al suspender la operación o tras el uso, no deje la herramienta en un área donde pueda estar expuesta a las virutas o al polvo que caen.

De lo contrario, podría causar un cortocircuito que podría resultar en emisiones de humo o incendios.

INSTRUCCIONES IMPORTANTES DE SEGURIDAD PARA EL CARGADOR O ADAPTADOR

El término "cargador o adaptador" en las instrucciones de seguridad hace referencia al cargador de baterías o al adaptador de CA/CC.

⚠ ADVERTENCIA

La utilización inadecuada del cargador o adaptador puede resultar en lesiones serias o en la muerte. Para evitar estos riesgos, siga las instrucciones de seguridad ofrecidas a continuación.

LEA TODAS LAS INSTRUCCIONES

- Este manual contiene instrucciones importantes de seguridad para el cargador de baterías modelo UC18YSL3 o el adaptador de CA/CC modelo ET36A.
- Antes de utilizar el cargador o adaptador, lea todas las instrucciones y tenga en cuenta las marcas de precaución de (1) el cargador o adaptador, (2) la batería y (3) el producto que utiliza la batería.
- Cuando cargue la batería con un cargador de baterías, reduzca el riesgo de lesiones mediante la carga de la batería recargable de metabo HPT de las series de tipo voltio múltiple y BSL18. Otros tipos de baterías podrían explotar causando lesiones y daños.
- No exponga el adaptador de CA/CC a la lluvia ni a la nieve.
- La utilización de un accesorio no recomendado o vendido por el fabricante del cargador o adaptador puede resultar en el riesgo de incendios, en descargas eléctricas o en lesiones.
- Para reducir el riesgo de dañar el cable y el enchufe, para desconectar el cable del cargador o adaptador, tire del enchufe.
- Cerciórese de que el cable quede situado donde no pueda pisarse, donde nadie pueda tropezar con él, y donde no pueda recibir daños.
- A menos que sea absolutamente necesario, no deberá utilizarse un cable prolongador. La utilización de un cable prolongador inadecuado podría resultar en el riesgo de incendios y descargas eléctricas. Cuando tenga que utilizar un cable prolongador, cerciórese de que:
 - El enchufe del cable prolongador sea igual en tamaño y forma que el del cargador o adaptador;
 - El cable prolongador esté adecuadamente conectado y en buenas condiciones eléctricas; y
 - El calibre del cable sea suficiente para el amperaje de CA del cargador o adaptador, como se especifica en la Tabla 1.

Tabla 1

**CALIBRE (AWG) MÍNIMO RECOMENDADO PARA CABLES
PROLONGADORES PARA EL CARGADOR O ADAPTADOR**

Amperaje nominal de entrada de CA*		Calibre (AWG) del cable			
Igual o superior a	pero inferior a	Longitud del cable, Pies (metros)			
		25 (7.5)	50 (15)	100 (30)	150 (45)
0	2	18	18	18	16
2	3	18	18	16	14
3	4	18	18	16	14

* Si la entrada nominal del cargador o adaptador se indica en vatios en vez de amperios, el amperaje nominal correspondiente se determinará dividiendo el vataje por la tensión, por ejemplo:

$$\frac{1,250 \text{ vatios}}{125 \text{ voltios}} = 10 \text{ amperios}$$

9. No utilice el cargador o adaptador con un cable o un enchufe dañado. Si están dañados, reemplácelos inmediatamente.
10. No utilice el cargador o adaptador si ha recibido un golpe, si ha caído o si está dañado de alguna otra forma. Llévelo a un técnico cualificado.
11. No desarme el cargador o adaptador. Cuando necesite reparación, llévelo a un técnico cualificado. El reensamblaje incorrecto podría resultar en el riesgo de incendios o descargas eléctricas.
12. Para reducir el riesgo de descargas eléctricas, desenchufe el cargador o adaptador del tomacorriente antes de intentar realizar cualquier operación de mantenimiento o de limpiarlo. La extracción de la batería no reducirá este riesgo.
13. Este adaptador de CA/CC solo debe utilizarse con herramientas específicas, como C3607DWA. El adaptador puede ser apto para utilizarse con otras herramientas alimentadas con batería metabo HPT. Es necesario confirmar su aptitud en el manual de instrucciones de la herramienta específica o en nuestro sitio web (<https://www.metabo-hpt.com/>). No confirmar esta aptitud antes de utilizar el adaptador con herramientas específicas puede causar peligro de incendio.

**INSTRUCCIONES IMPORTANTES DE
SEGURIDAD PARA LA BATERÍA Y EL
CARGADOR O ADAPTADOR**

Usted deberá cargar la batería antes de utilizar la herramienta eléctrica. Antes de utilizar el cargador de baterías modelo UC18YSL3, cerciórese de leer todas las instrucciones y precauciones del mismo, de la batería, y de este manual.

⚠ PRECAUCIÓN
¡UTILICE SOLAMENTE MODELOS DE BATERÍAS metabo HPT DE LA SERIE MULTIVOLTAJE. LOS DEMÁS MODELOS DE BATERÍAS PODRÍAN EXPLOTAR Y CAUSAR LESIONES!

Para evitar el riesgo de lesiones, siga las instrucciones ofrecidas a continuación:

⚠ ADVERTENCIA

La utilización inadecuada de la batería o del cargador de baterías puede conducir a lesiones serias. Para evitar estas lesiones:

1. **NUNCA** desarme la batería ni el adaptador de CA/CC.
2. **NUNCA** incinere una batería ni un adaptador de CA/CC, aunque estén dañados o completamente agotados. La batería puede explotar en el fuego.
3. **NUNCA** cortocircuite la batería ni el adaptador de CA/CC.
4. **NUNCA** inserte ningún objeto en las ranuras de ventilación del cargador o adaptador. Si lo hiciese podría recibir descargas eléctricas o dañar el cargador o adaptador.
5. **NUNCA** cargue en exteriores. Mantenga la batería o el adaptador de CA/CC alejados de la luz solar directa, y utilícelos solamente donde haya poca humedad y una buena ventilación.
6. **NUNCA** cargue cuando la temperatura sea inferior a 32°F (0°C) o superior a 104°F (40°C). (UC18YSL3)
NUNCA cargue cuando la temperatura sea inferior a 14°F (-10°C) o superior a 104°F (40°C). (ET36A)
7. **NUNCA** conecte dos cargadores o adaptadores juntos.
8. **NUNCA** inserte objetos extraños en el orificio para la batería ni en el cargador o adaptador.
9. **NUNCA** utilice un transformador elevador.
10. **NUNCA** utilice una fuente de alimentación de CC.
11. **NUNCA** almacene la batería ni el cargador o adaptador en lugares en los que la temperatura pueda llegar a los 104°F (40°C) o superar dicha temperatura, como dentro de una caja metálica o un auto.
12. **NUNCA** exponga la batería ni el cargador o adaptador a condiciones de lluvia o humedad.

13. **SIEMPRE** utilice el cargador o adaptador con un tomacorriente (120 V). La utilización de un cargador o adaptador con cualquier otra tensión podría hacer que este se recalentase y dañase.
14. **SIEMPRE** espere 15 minutos por lo menos entre las cargas para evitar que el cargador se recaliente. (UC18YSL3)
15. **SIEMPRE** desconecte el cable de alimentación del tomacorriente cuando no vaya a utilizar el cargador o adaptador.

[La información que sigue solo se aplica a ET36A]

16. No use el producto si la herramienta o los terminales del adaptador de CA/CC (montaje del adaptador de CA/CC) están deformados.
Instalar el adaptador de CA/CC podría causar un cortocircuito que podría resultar en emisiones de humo o incendios.
17. Mantenga los terminales de la herramienta (montaje del adaptador de CA/CC) libres de virutas y polvo.
 - Antes de usarlo, asegúrese de que las virutas y el polvo no se han acumulado en el área de los terminales.
 - Durante el uso, intente evitar que las virutas o el polvo de la herramienta caigan al adaptador de CA/CC.
 - Cuando suspenda la operación o luego del uso, no deje la herramienta en un área en la que pueda estar expuesta a la caída de virutas o polvo.
De lo contrario, podría causar un cortocircuito que podría resultar en emisiones de humo o incendios.
18. Este producto está diseñado para ser usado en entornos de Nivel de contaminación 2 o PD2. Utilizar solo en áreas de contaminación no conductiva. Cabe esperar que se produzca una conductividad temporal provocada por la condensación.
19. Esta es una máquina de precisión, así que no debe dejarla caer ni someterla a impactos.
20. No utilice este producto cerca de un marcapasos u otro dispositivo implantado similar, dado que puede verse afectado por el campo magnético que genera este producto.
21. El adaptador, la caja de fuente de potencia y el interior del cable de CC generan un alto voltaje potenciado de 380 V, así que debe tener precaución con lo siguiente.
 - No desmonte el producto.
 - No lo deje caer ni lo exponga a impactos.
Si el producto sufre daños por un impacto fuerte, no lo utilice.
 - No utilice el producto en áreas expuestas a lluvia, nieve, polvo de hierro o a la humedad.
 - No toque el producto con las manos mojadas.
 - No vierta ni deje caer líquido sobre el producto.
 - No jale del cable con fuerza excesiva.
 - Utilice el producto en un entorno bien ordenado.

⚠ PRECAUCIÓN

1. Cuando la rejilla de ventilación esté obstruida de objetos como astillas de madera, intente mantener los objetos alejados mientras limpia la rejilla (si no se realiza un mantenimiento apropiado, la función de protección de temperatura puede apagar el producto).
2. Si la función de protección de temperatura suele apagar la alimentación, no sobrecargue la máquina con trabajos continuados; deje descansar la máquina brevemente antes de continuar la operación.
3. La máquina se calienta. Sin embargo, esto no indica una anomalía.
Mantenga la electricidad en funcionamiento y opere el ventilador interno para que enfríe la máquina antes de llevarla a otro sitio.
Cuando transporte el producto, asegúrese de usar el armazón de cable. La carcasa puede estar caliente, así que debe tener cuidado.
4. Durante la utilización, no tire del cable para mover la caja. Si lo hace, podrían producirse daños.
5. No use más de un solo carrete de cable de 30 metros. Si lo hace, podrían producirse daños.
6. Durante la utilización, si la máquina deja de funcionar después de que parpadee la luz LED de la caja, confirme el entorno de la fuente de alimentación.
7. No arrastre el cable al usar o transportar la máquina. Hacerlo podría romper el aislamiento del cable o el propio cable, lo que podría resultar en un choque eléctrico.
8. No estire el cable más allá de lo requerido.
Cuando utilice herramientas como tijeras de jardinero o sierras circulares, tenga en cuenta siempre la posición del cable de alimentación para evitar cortar el cable durante la operación.
9. Para usar el adaptador de CA/CC luego de que se apague debido a una temperatura elevada, desconecte la clavija de alimentación de la caja, espere a que la luz LED se apague y, luego, reconecte la clavija de alimentación de la caja.
Si la máquina se apaga incluso luego de enfriarla suficientemente con el ventilador incorporado, deje de usarla, ya que puede haber un problema con ella.
10. No use este producto cerca de una radio. Hacerlo puede causar ruido en la radio, lo que podría complicar la escucha de emisiones.
11. Esta fuente de potencia está diseñada para productos de varios voltajes. No la use con productos o cargadores de 18 V. Hacerlo podría resultar en daños.
12. El comportamiento de sobrecarga puede diferir cuando se compara con el uso de la batería BSL36B18.
Cuando conecta la batería al cargador, solo el LED del cargador debe parpadear en la unidad principal, pero el LED del adaptador de CA/CC también puede parpadear.

PRECAUCIONES PARA EL ADAPTADOR DE CA/CC

El adaptador está equipado con la función de protección para detener la salida. En los casos 1 y 2 descritos más abajo, cuando utilice este producto, incluso si tira del interruptor, el motor puede detenerse. No es un problema, sino el resultado de la función de protección.

1. Si la herramienta se sobrecarga, la salida puede detenerse. En este caso, suelte el interruptor de la herramienta y elimine las causas de la sobrecarga.
2. Si el adaptador se calienta excesivamente al realizar un trabajo de sobrecarga, la salida podría pararse. En este caso, deje de utilizar el adaptador y desconéctelo de la herramienta. Deje que el adaptador se enfríe en un lugar como un área sombreada con una buena circulación del aire.

ADVERTENCIA DE LA BATERÍA DE LITIO

Para ampliar su duración, la batería de litio está equipada con la función de protección para detener la salida.

En los casos 1 a 3 descritos más abajo, cuando utilice este producto, incluso si tira del interruptor, el motor puede detenerse. No es un problema, sino el resultado de la función de protección.

1. Cuando la batería restante se agota, el motor se detiene.
En este caso, cárguela inmediatamente.
2. Si la herramienta se sobrecarga, el motor puede detenerse. En este caso, suelte el interruptor de la herramienta y elimine las causas de la sobrecarga. A continuación, puede volverla a utilizar.
3. Si la batería se calienta excesivamente al realizar un trabajo de sobrecarga, la potencia de la batería podría pararse.
En este caso, deje de utilizar la batería y deje que se enfríe. Posteriormente puede utilizarla de nuevo.

Asimismo, preste atención a las siguientes advertencias y precauciones.

⚠ ADVERTENCIA

Para evitar fugas de la batería, generación de calor, emisión de humo, explosiones e igniciones, preste atención a las siguientes precauciones.

1. Asegúrese de que no entran virutas o polvo en la batería.
 - Durante el trabajo, asegúrese de que no caen virutas o polvo en la batería.
 - Asegúrese de que las virutas o el polvo que caen sobre la herramienta eléctrica durante el trabajo no entran en la batería.
 - No almacene una batería sin utilizar en un lugar expuesto a virutas y polvo.

- Antes de almacenar una batería, retire las virutas y el polvo que se haya adherido y no la almacene junto a piezas metálicas (tornillos, clavos, etc.).
2. No agujeree la batería con un objeto afilado como un clavo, no la golpee con un martillo, la pise, la tire o la exponga a fuertes impactos físicos.
 3. No utilice una batería que pudiera estar dañada o deformada.
 4. No utilice la batería con las polaridades cambiadas.
 5. No conecte la batería directamente a salidas eléctricas o a los encendedores de cigarrillos de los coches.
 6. No utilice la batería para un fin diferente a los especificados.
 7. Si la carga de la batería no finaliza incluso cuando ha transcurrido un determinado tiempo de recarga, detenga inmediatamente la recarga.
 8. No coloque o exponga la batería a temperaturas elevadas o alta presión como en un microondas, una secadora o un contenedor de gran presión.
 9. Aléjela del fuego inmediatamente cuando se detecte una fuga o un olor raro.
 10. No la utilice en un lugar donde se genere gran electricidad estática.
 11. Si hay una fuga de la batería, mal olor, se genera color, está descolorida o deformada, o de algún modo funciona de forma anormal durante su utilización, recarga o almacenamiento, retirela inmediatamente del equipo o del cargador de la batería y detenga su utilización.
 12. No sumerja la batería ni permita que fluidos entren en ella. La entrada de líquidos conductores, como el agua, puede provocar daños que resulten en incendios o explosiones. Guarde la batería en un lugar fresco y seco, alejado de los materiales combustibles e inflamables. Las atmósferas con gases corrosivos deben ser evitadas.

⚠ PRECAUCIÓN

1. Si el líquido de fuga de la batería entra en contacto con los ojos, no se los frote y lávelos bien con agua limpia como, por ejemplo, agua del grifo y póngase en contacto con un médico inmediatamente.
Si no se trata, el líquido podría causar problemas de visión.
2. Si el líquido de fuga entra en contacto con la piel o la ropa, lávela bien con agua limpia como, por ejemplo, agua del grifo inmediatamente.
Podría producir irritación de la piel.
3. Si observa óxido, mal olor, recalentamiento, decoloración, deformación y/u otras irregularidades al utilizar la batería por primera vez, no la utilice y devuélvasela a su proveedor o distribuidor.

⚠ ADVERTENCIA

Si un objeto extraño conductor de electricidad entra en los terminales de la batería de litio, podría producirse un cortocircuito, resultando en un riesgo de incendio. Por favor, respete los siguientes consejos cuando almacene la batería.

- No coloque cortes conductivos, clavos, cables de acero, cables de cobre u otros cables en la caja de almacenamiento.
- Instale el paquete de baterías en la herramienta eléctrica o almacénelo presionando la tapa de baterías hasta que se oculten los orificios de ventilación para evitar cortocircuitos. (Ver Fig. 7)

A PROPÓSITO DEL TRANSPORTE DE LA BATERÍA DE IONES DE LITIO

Al transportar una batería de iones de litio, tenga en cuenta las siguientes precauciones.

⚠ ADVERTENCIA

Notifique a la compañía de transporte que un paquete contiene una batería de iones de litio, informe a la compañía eléctrica de su potencia de salida y siga las instrucciones de la compañía de transporte al preparar su transporte.

- Las baterías de iones de litio que superen una potencia de salida de 100 Wh se considera que son materiales peligrosos en la Clasificación de Transporte y requieren procedimientos de aplicación especiales.
- Para el transporte en el extranjero, deberá cumplir con las leyes internacionales y las normas y regulaciones del país de destino.

- Si el BSL36B18 es instalado en la herramienta eléctrica, la potencia de salida excederá los 100 Wh y la unidad será clasificada como materiales peligrosos para la clasificación de carga.



Fig. 5

PRECAUCIONES DE CONEXIÓN DEL DISPOSITIVO USB

Cuando se produce un problema inesperado, los datos en un dispositivo USB conectado a este producto podrían dañarse o perderse. Asegúrese siempre de realizar una copia de seguridad de los datos contenidos en el dispositivo USB antes de su uso con este producto.

Tenga en cuenta que nuestra compañía no acepta ninguna responsabilidad por los datos almacenados en el dispositivo USB que se hayan dañado o perdido, ni por ningún daño que pudiera sufrir un dispositivo conectado.

**GUARDE ESTAS INSTRUCCIONES
Y
PÓNGALAS A DISPOSICIÓN DE OTROS USUARIOS
Y
PROPIETARIOS DE ESTA HERRAMIENTA!**

DESCRIPCIÓN FUNCIONAL

NOTA

La información contenida en este Manual de instrucciones ha sido diseñada para ayudarle a utilizar con seguridad y mantener esta herramienta eléctrica.

NUNCA haga funcionar ni efectúe el mantenimiento de la herramienta antes de leer y comprender todas las instrucciones de seguridad contenidas en este manual.

Algunas ilustraciones de este Manual de Instrucciones pueden mostrar detalles o accesorios diferentes a los de la propia herramienta eléctrica.

NOMENCLATURA

1. Sierra Circular Inalámbrica con Mango Posterior (C3607DWA)

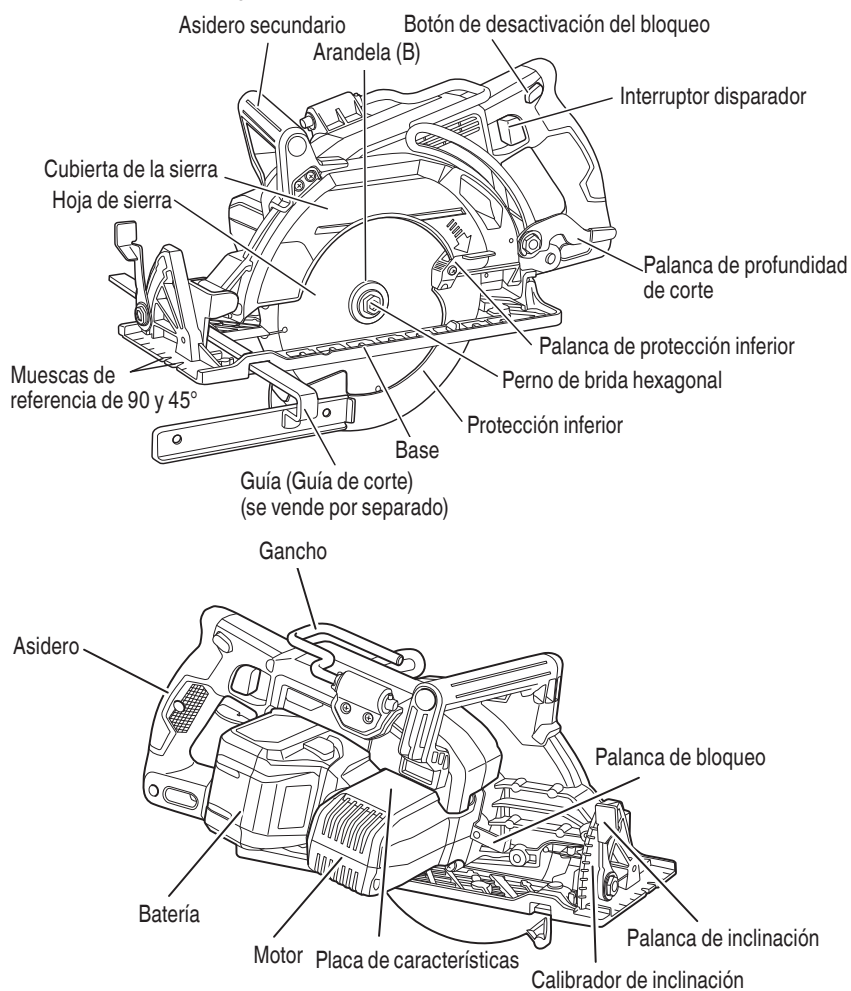


Fig. 6

2. Batería

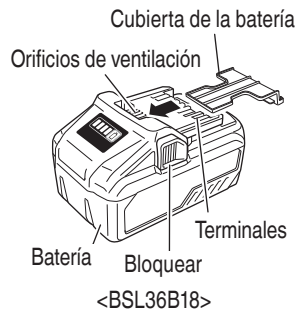


Fig. 7

3. Cargador de baterías

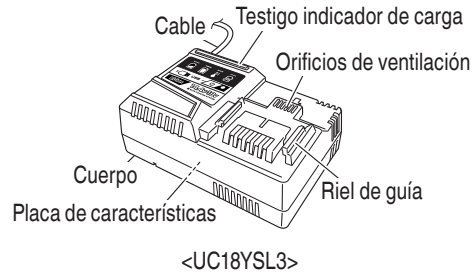


Fig. 8

4. Adaptador de CA/CC
(accesorios opcionales...de venta por separado)

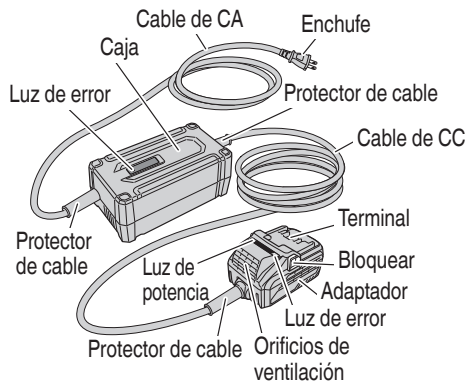


Fig. 9

ESPECIFICACIONES

1. Sierra Circular Inalámbrica con Mango Posterior

Modelo	C3607DWA	
Tensión	36 V	
Motor	Motor CC sin escobillas	
Velocidad sin carga	5,100 /min	
Tamaño de la hoja	7-1/4" (185 mm) P x 5/8" (15.9 mm) A	
Profundidad de corte máx.	2-7/16" (62 mm)	
Ángulo máx. de la hoja	Ajustable de 0° a 53°	
Fuente de alimentación	Tipo*	Batería de Li-ion modelo BSL36B18 / adaptador de CA/CC modelo ET36A (vendido por separado)
	Tensión	36 V
Peso	10.4 lbs. (4.7 kg) (BSL36B18 instalada)	

* Las baterías existentes (series BSL3660/3626/3620, BSL18xx y BSL14xx) no pueden ser usadas con esta herramienta. Si usa el adaptador de CA/CC, lea y comprenda su manual antes de operar la herramienta eléctrica.

2. Cargador de baterías

Modelo	UC18YSL3
Fuente de alimentación de entrada	Monofásica: 120 V CA, 60 Hz
Tiempo de carga (A una temperatura de 68°F (20°C))	BSL36B18: Aprox 52 min
Tensión de carga	14.4 V–18 V CC
Corriente de carga	8.0 A CC
Peso	1.3 lbs. (0.6 kg)

NOTA: El tiempo de carga pueda variar de acuerdo con la temperatura y la tensión de la fuente de alimentación.

3 Adaptador de CA/CC

Modelo	ET36A
Fuente de alimentación de entrada	Monofásica: CA 120 V 60 Hz
Tensión de salida	36 V
Intervalo de temperatura de funcionamiento	14°F (-10°C)–104°F (40°C)
Peso	Adaptador : 1.8 lbs. (0.8 kg) Caja: 2.6 lbs. (1.2 kg)

Control electrónico

- Inicio suave
- Protección frente a sobrecargas
Esta función de protección corta el suministro de alimentación al motor en el caso de sobrecarga del motor o de una reducción clara en la velocidad de rotación durante el funcionamiento.
Cuando la función de protección de sobrecarga se ha activado, el motor podría detenerse.
En este caso, suelte el interruptor de la herramienta y elimine las causas de la sobrecarga.
A continuación, puede volver a utilizarla.
- Protección frente a sobrecalentamiento
Esta función de protección corta el suministro de alimentación al motor y detiene la herramienta eléctrica en caso de sobrecalentamiento del motor durante el funcionamiento.
Cuando la función de protección de sobrecalentamiento se ha activado, el motor podría detenerse.
En este caso, suelte el interruptor de la herramienta y enfríela durante unos minutos.
A continuación, puede volver a utilizarla.

MONTAJE Y OPERACIÓN

APLICACIONES

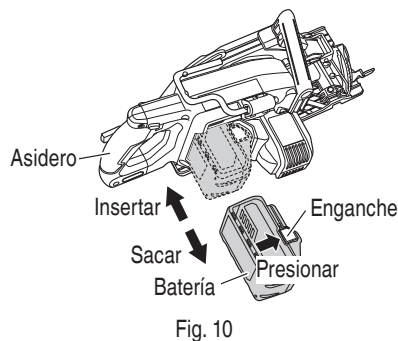
- Corte de varios tipos de madera

⚠ ADVERTENCIA

- **Tenga especial precaución cuando corte madera verde recién cortada, madera dura, madera húmeda, madera compuesta, madera tratada a presión, madera que contenga nudos y toda otra madera que pueda someter la sierra o la hoja a una carga elevada. Si esto ocurre, no fuerce la herramienta. Empuje la herramienta más lentamente pero con fuerza suficiente para seguir trabajando sin que la velocidad disminuya demasiado.**
- **Para evitar lesiones graves, no corte el metal con una hoja de corte de metal colocada. Asimismo, no lo utilice en aplicaciones que no impliquen el corte de madera.**

MÉTODO DE EXTRACCIÓN E INSTALACIÓN DE LA BATERÍA

- Forma de instalar la batería
Alinee la batería con la ranura de la empuñadura de la herramienta y deslícela en su lugar. Insértela siempre completamente hasta que se encuentre cerca (Fig. 10).
- Forma de extraer la batería
Extraiga la batería de la empuñadura de la herramienta mientras presiona el enganche (2 pzas.) de la batería (Fig. 10).



MÉTODO DE CARGA

NOTA

Antes de enchufar el cargador en un tomacorriente, tenga en cuenta los puntos siguientes:

- La tensión de la fuente de alimentación está indicada en la placa de características.
- El cable no deberá estar dañado.

⚠ ADVERTENCIA

No cargue con una tensión superior a la indicada en la placa de características.

Si cargase con una tensión superior a la indicada en la placa de características, el cargador se quemaría.

1. Conecte el cable de alimentación del cargador a una toma. Cuando el cable de alimentación esté conectado, el testigo indicador de carga parpadeará en color rojo. (A intervalos de 1 segundo)



⚠ ADVERTENCIA

No utilice el cargador si su cable está dañado. Haga que se lo reparen inmediatamente.

2. Inserte la batería en el cargador de baterías. Inserte la batería en el cargador de baterías como muestra en la Fig 11.

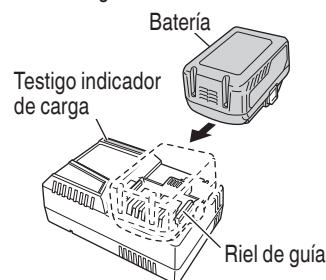










Fig. 11

3. Carga
Cuando inserte una batería en el cargador, el testigo indicador de carga parpadeará en azul. Cuando la batería esté totalmente cargada, el testigo indicador de carga se iluminará en verde. (Consulte la Tabla 2).
- (1) Indicaciones del testigo indicador de carga
Las indicaciones del testigo indicador de carga serán tal y como se muestran en la Tabla 2, de acuerdo con la condición del cargador de baterías o de la batería.

Tabla 2

Indicaciones del testigo indicador de carga				
Testigo indicador de carga (ROJO/ AZUL/ VERDE/ PÚRPURA)	Antes de la carga	Parpadea (ROJO) 	Se enciende durante 0.5 segundos. No se enciende durante 0.5 segundos (apagada durante 0.5 segundos).	Conectada a la fuente de alimentación
	Durante la carga	Parpadea (AZUL) 	Se enciende durante 0.5 segundos. No se enciende durante 1 segundo. (apagado durante 1 segundo)	Capacidad de la batería a menos del 50%
		Parpadea (AZUL) 	Se enciende durante 1 segundo. No se enciende durante 0.5 segundos (apagada durante 0.5 segundos).	Capacidad de la batería a menos del 80%
	Carga completada	Se enciende (AZUL) 	Se enciende de forma continua	Capacidad de la batería a más del 80%
		Se enciende (VERDE) 	Se enciende de forma continua (Sonido continuo de la señal acústica: alrededor de 6 segundos)	
		Espera por sobrecalentamiento	Parpadea (ROJO) 	Se enciende durante 0.3 segundos. No se enciende durante 0.3 segundos (apagada durante 0.3 segundos).
	Carga imposible	Destellos (PÚRPURA) 	Se enciende durante 0.1 segundos. No se enciende durante 0.1 segundos (apagada durante 0.1 segundos).  (Señal acústica intermitente: alrededor de 2 segundos)	Fallo de funcionamiento de la batería o del cargador

- (2) Temperatura de las baterías.
La temperatura de las baterías se muestra en la Tabla 3, y las baterías que se hayan calentado deberán dejarse enfriar durante cierto tiempo antes de cargarlas.

NOTA

El tiempo de recarga puede variar de acuerdo con la temperatura ambiental.

4. Desconecte el cargador de baterías del tomacorriente.

Tabla 3

Baterías	Temperatura con la que podrá cargarse la batería
BSL36B18	32°F-122°F (0°C-50°C)



PRECAUCIÓN

No desconecte el cable del tomacorriente tirando del mismo.

Cerciórese de tirar del enchufe para desconectarlo del tomacorriente a fin de evitar dañar el cable.

- (3) Tiempo de carga (A 68°F (20°C))

Tabla 4 Tiempo de carga

Batería	Cargador	UC18YSL3
BSL36B18		Aprox. 52 min

5. Extraiga la batería del cargador de baterías. Sujetando el cargador de baterías con una mano, extraiga la batería del mismo.

NOTA

Asegúrese de extraer la batería del cargador de baterías después del uso, y guárdela después.

Descarga eléctrica en caso de baterías nuevas, etc.

Como la substancia química interna de las baterías nuevas o las que no se hayan utilizado durante mucho tiempo no está activada, la descarga eléctrica puede ser inferior cuando se utilicen por primera y segunda vez. Este fenómeno es temporal, y el tiempo normal requerido para la recarga se restablecerá recargando las baterías 2-3 veces.

Forma de hacer que las baterías duren más

- (1) Recargue las baterías antes de que se hayan agotado completamente.
Si siente que la potencia de la herramienta eléctrica se debilita, deje de utilizarla y recargue su batería. Si continuase utilizando la herramienta hasta agotar la capacidad de la batería, ésta podría dañarse y su duración útil podría acortarse.
- (2) Evite realizar la recarga a altas temperaturas.
Una batería se calentará inmediatamente después de haberla utilizado. Si recargase tal batería inmediatamente después de haberla utilizado, su substancia química interna se deterioraría, y la duración útil de la batería se acortaría. Deje la batería y recárguela después de que se haya enfriado durante cierto tiempo.

⚠ PRECAUCIÓN

- Si utiliza continuamente el cargador de baterías, éste se calentará, lo que puede causar averías. Después de haber finalizado la carga, espere 15 minutos antes de realizar la carga siguiente.
- Si la batería se carga mientras está caliente debido a que se ha dejado durante mucho tiempo en un lugar expuesto a la luz solar directa o porque la batería acaba de utilizarse, el testigo indicador de carga del cargador se iluminará durante 0.3 segundos y no se iluminará durante 0.3 segundos (permanecerá apagado durante 0.3 segundos). En tales casos, deje primero que se enfríe la batería e inicie luego la carga.
- Cuando el testigo indicador de carga parpadee (a intervalos de 0.2 segundos), compruebe si hay objetos extraños en el orificio de instalación de la batería del cargador y extráigalos si los hubiera. Si no hay objetos extraños, es probable que la batería o que el cargador de baterías esté funcionando mal. Llévelos a un centro de reparaciones autorizado.

CÓMO RECARGAR EL DISPOSITIVO USB

Cuando se produce un problema inesperado, los datos en un dispositivo USB conectado a este producto podrían dañarse o perderse. Asegúrese siempre de realizar una copia de seguridad de los datos contenidos en el dispositivo USB antes de su uso con este producto.

Tenga en cuenta que nuestra compañía no acepta ninguna responsabilidad por los datos almacenados en el dispositivo USB que se hayan dañado o perdido, ni por ningún daño que pudiera sufrir un dispositivo conectado.

⚠ ADVERTENCIA

- Antes de usar, compruebe el cable de conexión USB en busca de cualquier defecto o daño. Usar un cable USB defectuoso o dañado puede provocar emisiones de humo o incendios.
- Cuando no se está usando el producto, cubra el puerto USB con la cubierta de goma. Acumulación de polvo, etc. en el puerto USB puede provocar emisiones de humo o incendios.

NOTA

- El tiempo necesario para la carga será más largo cuando un dispositivo USB y la batería se carguen simultáneamente.
- Podría haber una pausa ocasional durante la recarga USB.
- Cuando no se esté cargando un dispositivo USB, apague la alimentación USB y retire el dispositivo USB del cargador.

De lo contrario, podría no solo reducir la vida de la batería de un dispositivo USB, pero también podría ocasionar accidentes imprevistos.

- (1) Seleccione un método de carga
Dependiendo del método de carga seleccionado, tanto si la batería se ha insertado en el cargador o si el cable de alimentación está enchufado a una toma de corriente.
 - Carga de un dispositivo USB mediante batería (Fig. 12-a)
 - Cargar un dispositivo USB desde una toma de corriente eléctrica (Fig. 12-b)
 - Cargar un dispositivo USB y su batería desde una toma de corriente eléctrica (Fig. 12-c)

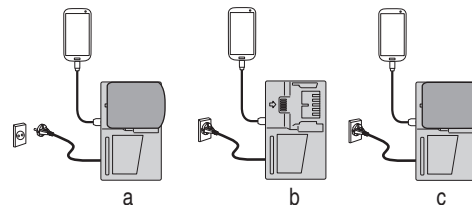


Fig. 12

- (2) Encienda el enchufe de alimentación USB (Fig. 13)
 Cuando encienda el enchufe de alimentación USB, el testigo indicador de alimentación USB se encenderá.

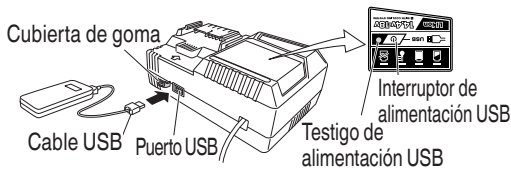


Fig. 13

- (3) Conecte el cable USB. (Fig. 13)
 Retire la cubierta de goma y enchufe con firmeza un cable USB disponible en comercios (apropiado para el dispositivo que se está cargando) en el puerto USB.
- Cuando el cable de alimentación no esté enchufado a una toma eléctrica y se agote la batería, la salida de alimentación eléctrica se detendrá y el testigo de alimentación USB se apagará.
 - Cuando el testigo indicador de alimentación USB se apague, cambie la batería o enchufe el cable de alimentación a una toma eléctrica.
- (4) Cuando se haya completado la carga
- El testigo indicador de alimentación USB no se activará cuando un dispositivo USB se haya cargado por completo.
 - Para verificar el estado de carga, compruebe el dispositivo USB.
 - Apague el interruptor de alimentación USB y desenchufe el cable de alimentación de la toma de alimentación eléctrica. (Fig. 13)
 - Extraiga la batería del cargador y coloque la tapa de goma sobre el puerto USB.

ANTES DE LA OPERACIÓN

⚠ PRECAUCIÓN
 Para evitar accidentes serios, cerciórese de que el interruptor esté abierto (OFF), y extraiga la batería.

1. Compruebe el entorno del área de trabajo
 Compruebe el área de trabajo para asegurarse de que esté libre de desperdicios y obstáculos.
 Compruebe que en el área no haya personal innecesario. Cerciórese de que la iluminación y la ventilación sean adecuadas.

2. Montaje de la cuchilla de la sierra (Fig. 14)

⚠ ADVERTENCIA

- No utilice hojas que tengan más de 7-1/4" (185 mm) de diámetro. Para evitar lesiones producidas por un arranque accidental, asegúrese de apagar el interruptor y de extraer la batería.
- Asegúrese de que la hoja esté correctamente instalada y apretada antes de ponerla en marcha.
- Si se trabaja en el perno de brida hexagonal con otras herramientas distintas de la llave proporcionada, puede tener lugar un apriete excesivo o insuficiente y resultar en lesiones.

- (1) Quite completamente las virutas que se hayan acumulado en el husillo, perno y arandela.
- (2) Para montar la cuchilla de la sierra, los lados cóncavos de ambas arandelas, (A) y (B), deberán colocarse en los lados de la cuchilla de la sierra. Monte la cuchilla de la sierra en el husillo y fije finalmente la arandela (B) (consulte la Fig. 14).
- (3) Para asegurar una dirección de giro apropiada de la cuchilla de sierra, la dirección de la flecha de la cuchilla de la sierra deberá coincidir con la dirección de la flecha de la cubierta de la cuchilla.
- (4) Utilizando los dedos, apriete todo lo posible el perno hexagonal que retiene la cuchilla de la sierra. Y luego presione la palanca de bloqueo, bloquee el husillo y apriete a fondo el perno.
- (5) Confirme que la palanca de bloqueo esté en la posición original.

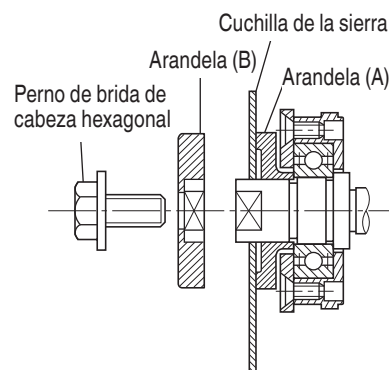


Fig. 14

⚠ PRECAUCIÓN
Después de haber fijado la hoja de sierra, confirme si el botón de bloqueo ha quedado firmemente asegurado en la posición descrita.

3. Desmontaje de la hoja de sierra

⚠ ADVERTENCIA
La herramienta se calienta tras su uso. Para evitar quemaduras, deberá efectuar la tarea de sustitución de la hoja una vez que la herramienta se haya enfriado lo suficiente.

⚠ PRECAUCIÓN
Nunca toque la hoja de sierra inmediatamente después de haberla utilizado. El metal estará caliente y podrá quemarse.

(1) Ajuste la velocidad de corte al máximo, y coloque la sierra circular como se muestra en la Fig. 15.

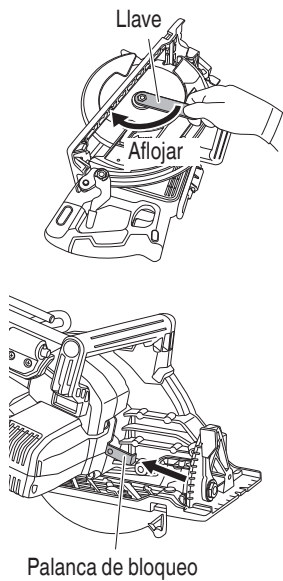


Fig. 15

(2) Presione la palanca de bloqueo, bloquee el husillo y quite el perno de brida hexagonal y la arandela (B) con la llave.

(3) Mientras mantiene sujeta la palanca del protector inferior para mantenerlo totalmente replegado en el interior de la cubierta de la sierra, retire la hoja (Fig. 16).

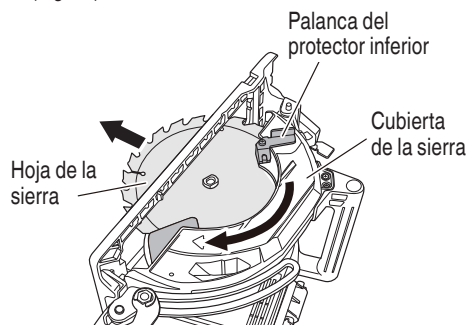


Fig. 16

4. Comprobación del funcionamiento del protector inferior

⚠ ADVERTENCIA
Asegúrese completamente de que el protector inferior no está fijo. Asimismo, verifique que se mueve con suavidad. Si la hoja de la sierra permanece expuesta, se pueden producir lesiones.

El protector inferior (véase Fig. 17), protege el cuerpo del operario y evita que entre en contacto con la hoja de la sierra. Asegúrese de que la cubierta cumple perfectamente la hoja de la sierra. Si el protector inferior no se mueve con suavidad, no utilice la sierra hasta que éste haya sido reparado.

En ese caso, póngase en contacto con el establecimiento donde adquirió la sierra circular o con el CENTRO DE SERVICIO AUTORIZADO DE metabo HPT para reparar la máquina.

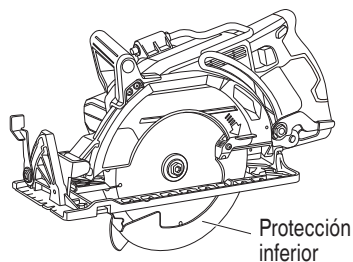


Fig. 17

5. Compruebe si el freno funciona adecuadamente. Esta sierra circular se caracteriza por un freno eléctrico que funciona cuando se suelta el gatillo interruptor. Si el freno no se aplica, lleve la herramienta a un CENTRO DE SERVICIO AUTORIZADO DE metabo HPT.
6. Prepare un banco de trabajo de madera (Fig. 18). Como la hoja de sierra sobresaldrá de la superficie inferior de la madera de trabajo, coloque ésta sobre un banco de trabajo para cortarla. Si, como banco de trabajo, utiliza un madero cuadrangular, tenga en cuenta el nivel del suelo para asegurar que quede adecuadamente estabilizado. Un banco de trabajo inestable resultaría en una operación peligrosa.

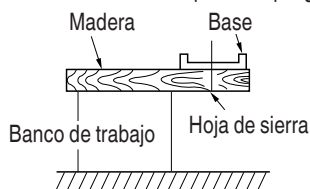


Fig. 18

⚠ PRECAUCIÓN
Para evitar accidentes, asegúrese siempre de que la parte de madera quede después del corte esté firmemente fijada.

7. Verifique si la palanca de profundidad de corte y la palanca de inclinación están apretadas. Si la palanca de profundidad de corte con la que se ajusta la profundidad de corte (Fig. 21) y la palanca de inclinación con la que se ajusta el ángulo de inclinación (Fig. 22) están sueltas, pueden resultar en lesiones físicas. Asegúrese de que estén fijadas de forma segura. Asegúrese de que se encuentren firmemente apretadas.
8. Protección ocular. Utilice siempre protección ocular con protectores laterales que cumpla los requerimientos del estándar ANSI Z87.1. Las gafas ordinarias no brindan la protección adecuada.

⚠ ADVERTENCIA
Operar la herramienta sin la protección ocular adecuada puede resultar en lesiones graves.

9. Compruebe la batería insertada

⚠ ADVERTENCIA
Si insertase la batería con el gatillo interruptor en la posición ON, la herramienta eléctrica comenzará a funcionar inmediatamente, lo que podría provocar lesiones serias.

⚠ PRECAUCIÓN
Inserte la batería hasta que encaje en su lugar con un ligero chasquido, ya que de lo contrario podría caerse accidentalmente de la herramienta y causar lesiones.

10. Operación de prueba. Después de haber confirmado que no se ha olvidado de nada, ponga en funcionamiento la herramienta eléctrica, y confirme que no haya ninguna anomalía antes de intentar realizar la operación de corte.
11. Inspeccione la estabilidad de rotación de la hoja de sierra. Para cortar con precisión, gire la hoja de sierra y compruebe la deflexión para confirmar que la hoja no esté inestable, ya que de lo contrario, podrían producirse vibraciones y ocurrir un accidente.
12. Utilización del gancho

⚠ ADVERTENCIA
Para reducir el riesgo de lesiones provocadas por la caída de la sierra sobre operadores u otras personas, asegúrese de que la sierra esté correctamente apoyada cuando utilice el gancho para colgar la sierra de una viga, vigueta u otro soporte elevado.

- (1) Aleje el gancho del cuerpo de la sierra para colgar la sierra de una viga, vigueta u otro soporte elevado. (Fig. 19)

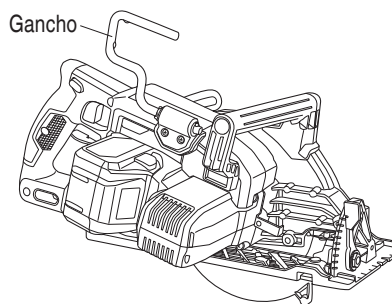


Fig. 19

⚠ ADVERTENCIA

Para reducir el riesgo de lesiones, no utilice la sierra con el gancho girado por debajo de la base.

- (2) Cuando no lo use, coloque el gancho de nuevo en la posición de almacenaje hasta que se adhiera al cuerpo de la sierra.
13. Uso del asidero secundario
Cuando opere la sierra, use ambas manos para sujetarla firmemente, una mano en el asidero secundario y la otra en el asidero, para mejorar así la estabilidad de la sierra y evitar posibles retrocesos.

Asidero secundario

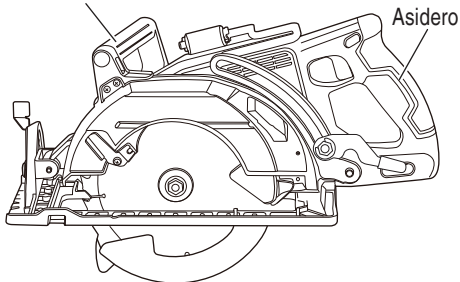


Fig. 20

AJUSTE DE LA SIERRA ANTES DEL USO**⚠ ADVERTENCIA**

Para evitar accidentes graves, asegúrese de apagar el interruptor y extraiga la batería.

1. Ajuste de la profundidad de corte (Fig. 21)

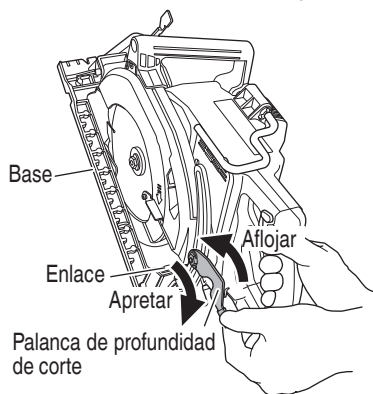


Fig. 21

⚠ ADVERTENCIA

Si la palanca de profundidad está suelta, podrían producirse lesiones. Apriétela tras el ajuste.

Para ajustar la profundidad de corte, afloje la palanca de profundidad de corte y, mientras sujeta la base con la otra mano, mueva el cuerpo principal hacia arriba y hacia abajo para obtener la profundidad de corte prescrita.

Después de ajustar la profundidad de corte prescrita, apriete la palanca de profundidad de corte de forma segura.

NOTA

La escala situada en el lateral de la base solo es precisa con la profundidad de corte máxima.

2. Ajuste del ángulo de inclinación

⚠ ADVERTENCIA

Si la palanca de inclinación está suelta, podrían producirse lesiones. Apriétela tras el ajuste.

Puede inclinar la hoja de la sierra desde un ángulo de 0° hasta un máximo de 53° en relación con la base. Como se muestra en la Fig. 22 aflojando la palanca de inclinación en el calibrador de inclinación y en la tuerca de mariposa, la hoja de la sierra se puede inclinar hasta un ángulo máximo de 45° en relación con la base.

Si utiliza un ángulo de inclinación superior a 45°, como se muestra en la Fig. 23, mueva la palanca de inclinación hacia la parte exterior, la hoja de la sierra puede inclinarse para formar un ángulo máximo de 53° con relación a la base.

Siempre asegúrese de que la palanca de inclinación esté completamente apretada después de realizar el ajuste deseado.

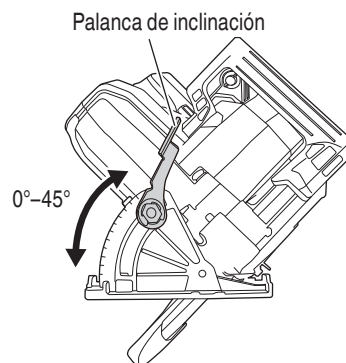


Fig. 22

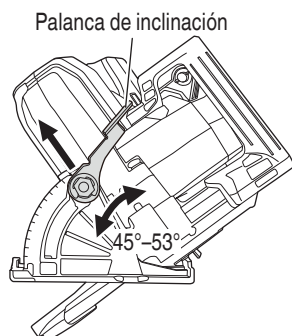


Fig. 23

3. Ajuste de bisel en 90° (0°) (Fig. 24)

⚠ ADVERTENCIA

Para garantizar cortes precisos, la alineación debe ser verificada y los ajustes deben ser realizados antes del uso.

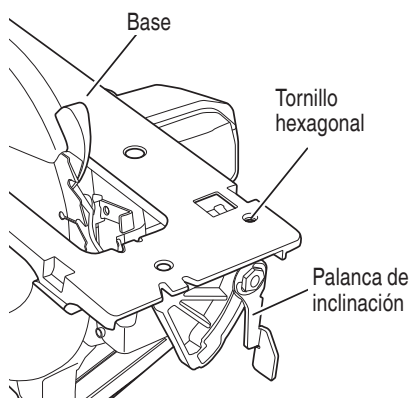


Fig. 24

- (1) Eleve la palanca de inclinación para ajustar la sierra en 90° (0°) y, a continuación, apriete la palanca.
- (2) Repliegue la protección inferior y coloque la sierra al revés.
- (3) Coloque una herramienta combinada contra la hoja y la base para verificar si la hoja se encuentra a 90° con respecto a la base.
- (4) Si la hoja no está a 90° con respecto a la base, gire el tornillo hexagonal situado en la parte inferior de la base utilizando la llave hexagonal de 3 mm para efectuar ajustes.
- (5) Compruebe la precisión del ajuste efectuando un corte en un trozo de material.

OPERACIÓN

⚠ ADVERTENCIA

- No toque nunca las partes móviles.
- No utilice nunca la sierra circular con la hoja de sierra encarada hacia arriba ni lateralmente.
- No fije ni asegure el botón de desactivación del bloqueo. Aleje el dedo del interruptor disparador cuando mueva la sierra circular. De lo contrario, el interruptor del cuerpo principal podría cerrarse inadvertidamente, lo que podría resultar en lesiones.
- No utilice ninguna rueda abrasiva.
- Utilice únicamente diámetro de cuchillas especificado en la placa de identificación del producto.
- Si la cuchilla de la sierra se para o produce un ruido anormal durante la operación, ponga inmediatamente el interruptor en OFF.
- No extraiga la sierra de la pieza de trabajo durante la operación de corte mientras la hoja de sierra esté girando.
- Utilice siempre protección ocular con protectores laterales que cumpla los requerimientos del estándar ANSI Z87.1. Las gafas ordinarias no brindan la protección adecuada.
- Evite cortar materiales como metal, etc., que puedan producir chispas.

⚠ PRECAUCIÓN

- Después de haber finalizado la operación, extraiga la batería.
- Para ampliar su duración, la batería de litio está equipada con la función de protección para detener la salida. Por lo tanto, si se sobrecarga al batería, el motor puede detenerse. No obstante, esto no es un problema, sino el resultado de la función de protección. En este caso, suelte el interruptor de la herramienta y elimine las causas de la sobrecarga.
- Antes del uso, compruebe si el botón de bloqueo-desconexión se mueve suavemente.

NOTA

Tenga cuidado de no bloquear el motor. Si el motor se bloquea, desconecte inmediatamente la alimentación. Si el motor permaneciese bloqueado durante cierto tiempo, podría quemarse parte o la batería.

1. Compruebe si la hoja de sierra está apretada
Aunque la hoja de sierra ha sido apretada con seguridad para utilizarse inmediatamente al ensamblarse en la fábrica, por motivos de seguridad, compruébela. Los pernos con arandela podrán apretarse girándolos hacia la derecha. Para la comprobación, utilice la llave de cubo suministrada. Utilice la llave proporcionada para comprobarlo. Para obtener más detalles, consulte el apartado [ANTES DE LA OPERACIÓN] en la página 82.
2. Compruebe si la palanca está apretada
Si la palanca de profundidad de corte (Fig. 21) está suelta, podrían producirse lesiones. Asegúrese de que esté fijada de forma segura.
3. Operación del interruptor (Fig. 25)
Para el funcionamiento seguro de la máquina, se proporciona un botón de "bloqueo-desconexión" en el lado del asidero.

Si se jala el "interruptor disparador" en un estado donde se presiona el "botón de desactivación del bloqueo" en la dirección de la flecha, el interruptor principal se puede ACTIVAR.
Después de encender el interruptor, la hoja de sierra continuará funcionando mientras se presione el interruptor disparador, incluso si usted suelta el botón de desactivación del bloqueo.

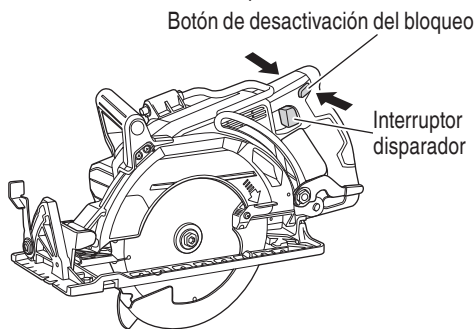


Fig. 25

4. Indicador de batería restante
Puede comprobar la capacidad restante de la batería presionando el interruptor del indicador de batería restante para encender la lámpara indicadora. (Fig. 26, Tabla 5)
El indicador se apaga aproximadamente 3 segundos después de pulsar el interruptor del indicador de batería restante.
Se recomienda utilizar el indicador de batería restante como guía dado que hay ligeras diferencias tales como la temperatura ambiente y el estado de la batería.
Asimismo, el indicador de batería restante podría variar de aquellos equipados en la herramienta o en el cargador.

Lámpara indicadora de batería restante Interruptor del indicador de batería restante

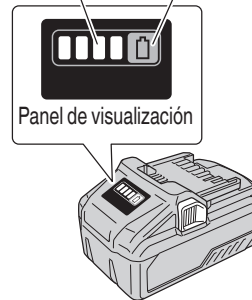





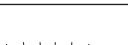
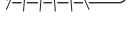


Fig. 26

Tabla 5

Estado de la lámpara	Carga de batería restante
	Se enciende; La carga restante de la batería se encuentra por encima del 75%.
	Se enciende; La carga restante de la batería es del 50%–75%.
	Se enciende; La carga restante de la batería es del 25%–50%.
	Se enciende; La carga restante de la batería es menos del 25%.
	Parpadea; La carga restante de la batería está prácticamente agotada. Cargue la batería lo antes posible.
	Parpadea; La salida se suspendió debido a una alta temperatura. Extraiga la batería de la herramienta y deje que se enfríe.
	Parpadea; Salida suspendida debido a un fallo o mal funcionamiento. El problema puede estar relacionado con la batería, contáctese con su distribuidor.

Dado que el indicador de batería restante muestra resultados ligeramente diferentes según la temperatura ambiental y las características de la batería, utilice su lectura como referencia.

NOTA

No golpee con fuerza ni rompa el panel de interruptores.
Pueden producirse problemas.

5. Procedimientos de corte

⚠ PRECAUCIÓN

- Verifique nuevamente que la hoja de la sierra está correctamente sujeta.
- Confirme que la palanca de inclinación y la palanca de profundidad de corte estén correctamente ajustadas.

- (1) La parte delantera de la base tiene una muesca de referencia de 90° y una muesca de referencia de 45° para el corte vertical y en bisel. Las muescas de referencia le permiten guiar la sierra por las líneas de corte marcadas en la pieza de trabajo. Asimismo, la sierra tiene las muescas de referencia interiores ubicadas en el interior de la base, como se muestra en la Fig. 27, para mantener el corte recto.
- (2) Cuando la base no está inclinada, use el lado derecho de la muesca. Si la base está inclinada (45 grados), use el lado izquierdo de la muesca (Fig. 27).

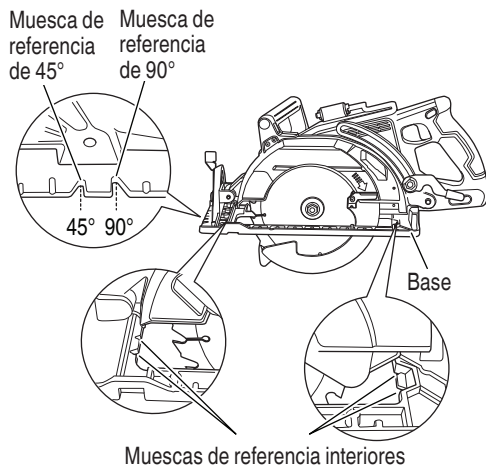


Fig. 27

NOTA

Cuando utilice la sierra con una inclinación de 45°, use ambas marcas de [45 grados] de la placa de nivel y [45] del calibrador de inclinación de la base (Fig. 28).

Además, es absolutamente esencial utilizar la sierra con un ángulo preciso, ajustar utilizando un transportador, etc.

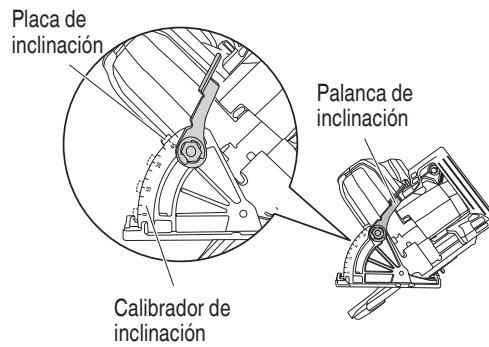


Fig. 28

- (3) Cerciérese de que el interruptor esté en la posición ON antes de que la hoja de sierra entre en contacto con la madera. El interruptor se enciende cuando se aprieta el interruptor disparador, y se apaga cuando se suelta el interruptor disparador. Si mueve la sierra recta a velocidad constante, podrá realizar el corte óptimo. (Fig. 29)

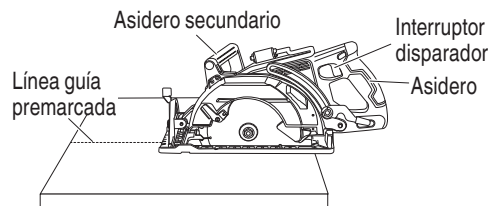


Fig. 29

⚠ PRECAUCIÓN

- Antes de comenzar a serrar, cerciérese de que la hoja de sierra haya alcanzado las revoluciones de la velocidad máxima.
- Cuando finalice un trabajo, extraiga la batería del cuerpo principal.
- Para evitar un calentamiento anómalo de la punta de la cuchilla o daños en la cuchilla de sierra, no doble ni aplique fuerza excesiva a la cuchilla de sierra durante el corte. Deje que la cuchilla avance con suavidad.
- Si utiliza continuamente la sierra circular reemplazando las baterías, una tras otra, el motor puede recalentarse. Por lo tanto, cuando la carcasa se caliente, deje descansar la sierra durante cierto tiempo.
- Evite cortar cuando la parte inferior de la base esté sobresaliendo del banco de trabajo. De lo contrario, el motor podría bloquearse.

6. Corte con aserrado al hilo

⚠ ADVERTENCIA

Para evitar accidentes graves, asegúrese de que la guía (guía de corte) no toque la hoja de sierra antes del uso.

El aserrado al hilo consiste en cortar tableros más anchos en listones más estrechos en el sentido de las fibras. Por tanto, se recomienda utilizar la guía (guía de corte) de metabo HPT (accesorio opcional, refiérase a la página 97) para obtener soporte y cortar los tableros con el mismo ancho.

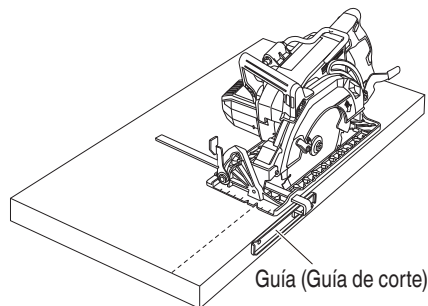


Fig. 30

7. Corte de interiores

⚠ ADVERTENCIA

- No fije la protección inferior en una posición elevada. No mueva la sierra hacia atrás cuando realice cortes cuadrados. De lo contrario, la sierra podría levantarse de la superficie de trabajo y provocar lesiones.
- Para evitar accidentes graves, asegúrese de apagar el interruptor y extraiga la batería antes de efectuar ajustes.
- Nunca ate ni acuñe la cubierta de protección inferior en posición elevada.

- (1) Marque claramente el área de corte deseada con líneas en todos los lados. (Consulte la Fig. 31.)

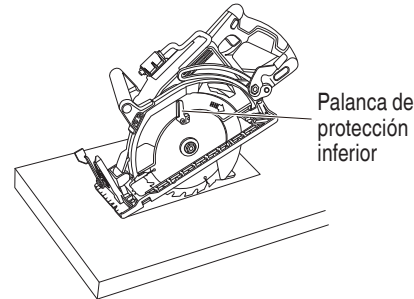


Fig. 31

- (2) Ajuste la profundidad según el material que vaya a cortar.
- (3) Empuje la palanca completamente hacia atrás para que la cuchilla quede expuesta como se muestra en la Fig. 31.
- (4) Incline la sierra hacia adelante y alinee la ranura (Fig. 27) con la línea guía premarcada.
- (5) Suelte la palanca. Cuando la cubierta de protección inferior entre en contacto con la superficie de la pieza de trabajo, ésta estará en la posición apropiada para abrirse libremente cuando comience el corte.
- (6) Sujetando la sierra, con la hoja alejada de la superficie de la pieza de trabajo, tire del interruptor disparador.
- (7) Tras alcanzar la sierra la máxima velocidad, baje poco a poco la parte trasera de la sierra hasta que su base se apoye en la superficie de trabajo.
- (8) Avance la sierra a lo largo de la línea de corte hasta llegar a la esquina.
- (9) Suelte el interruptor disparador y deje que la hoja se pare por completo antes de retirar la hoja de la pieza de trabajo.
- Nunca, bajo ninguna circunstancia, tire de la sierra hacia atrás mientras se mueva la cuchilla, porque podrá producirse contragolpe.
- (10) Utilice una sierra de vaivén o una sierra manual para cortar las esquinas.
- (11) Cuando empiece cada corte nuevo, repita el procedimiento de arriba.

⚠ ADVERTENCIA

No sostenga la pieza de trabajo en las manos ni a lo largo de la pierna durante el corte. Fije la pieza de trabajo a una plataforma estable. Es muy importante que apoye el trabajo correctamente para minimizar la exposición del cuerpo, el agarrotamiento de la hoja o la pérdida de control.

8. Soporte adecuado para cortar una pieza de trabajo grande

NO apoyar la pieza de trabajo grande lejos del corte.

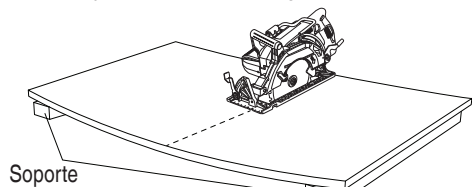


Fig. 32-a

SIEMPRE apoyar la pieza de trabajo grande **cerca** del corte.

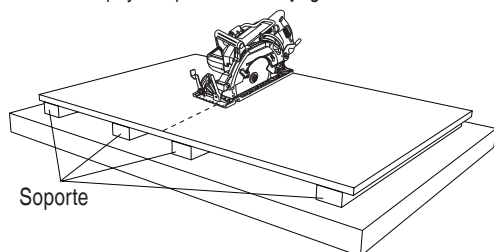


Fig. 32-b

Si el soporte está alejado de la trayectoria de corte, la pieza de trabajo grande podría curvarse. En dicho caso, es posible que la hoja se agarrote y provoque un retroceso y el aumento de la carga del motor. (Fig. 32-a)

Por tanto, para evitar posibles lesiones personales o retrocesos, corte **SIEMPRE** la pieza de trabajo grande con el soporte adecuado, que deberá estar cerca de la trayectoria de corte. (Fig. 32-b)

9. Regulación de la guía (Guía de corte) (se vende por separado)

Instale el perno de aletas y el resorte de seguridad sobre la base. Inserte la guía en la base, muévela hacia la izquierda y la derecha y ajuste la posición de corte. Apriete el perno de aletas y fije la guía. La guía puede ser instalada desde ambos lados, izquierdo y derecho del cuerpo principal.

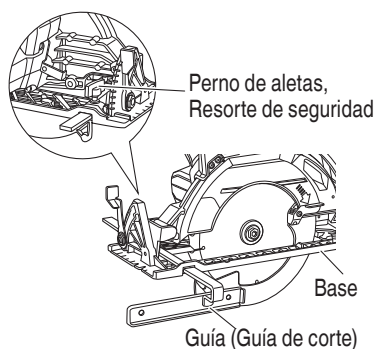


Fig. 33

10. Utilización del colector de polvo

Para usar el aspirador para recopilar el polvo de aserrado, acople la manguera de succión al colector de polvo que está acoplado a la unidad principal mediante el tornillo M4. Al acoplar el colector de polvo, asegúrese siempre de cambiar la palanca al tipo corto en este mismo momento (Fig. 34).

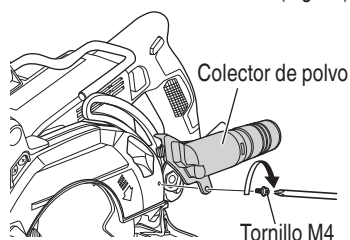





Fig. 34

ACERCA DEL PILOTO DE ERROR DEL ADAPTADOR DE CA/CC

Tabla 6

Indicaciones del testigo indicador					
	Estado	Luz de potencia (VERDE)	Luz de error (ROJO)		Indica
Adaptador	Antes de la utilización	Parpadea 	Luz apagada 		Con conexión a la fuente de alimentación
	Encendido	Luces 	Luz apagada 		La herramienta puede ser usada
	Alimentación suspendida	Parpadea  Luces 	Parpadea 	Se enciende durante 0.5 segundos. No se enciende durante 0.5 segundos. (apagada durante 0.5 segundos) 	El adaptador no puede ser usado debido a una temperatura elevada. (el adaptador podrá ser usado cuando se enfríe).
				Se enciende durante 0.1 segundos. No se enciende durante 0.1 segundos. (apagada durante 0.1 segundos) 	Sobrecarga
Caja	Alimentación suspendida	/	Parpadea 	Se enciende durante 0.5 segundos. No se enciende durante 0.5 segundos. (apagada durante 0.5 segundos) 	No puede ser usado porque la temperatura de la caja es demasiado alta. (Se puede utilizar una vez que la caja se haya enfriado).

MANTENIMIENTO E INSPECCIÓN

⚠️ ADVERTENCIA

Asegúrese de soltar el interruptor y sacar la batería antes de realizar inspecciones o mantenimientos.

1. Inspección de la hoja de sierra
El uso continuo de una cuchilla dañada resultaría una deficiencia de corte reducida y podría causar posible recalentamiento del motor. Reemplazar la cuchilla tan pronto como se note un desgaste excesivo por una nueva.

⚠️ PRECAUCIÓN

Si utiliza una hoja de sierra mellada, la fuerza reactiva aumentará durante la operación de corte. Evite utilizar hojas de sierra melladas, sin reparar.

2. Comprobación de los tornillos
Los tornillos son peligrosos. Inspecciónelos regularmente y cerciórese de que estén bien apretados.

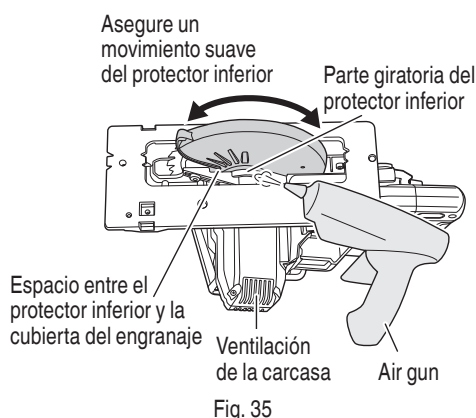
⚠️ PRECAUCIÓN

La utilización de una herramienta eléctrica con tornillos flojos es extremadamente peligrosa.

3. Mantenimiento de la unidad de motor
El bobinado del motor es un elemento importante de esta herramienta. Evite dañarlo y tenga la precaución de que no entre en contacto con aceite de limpieza ni con agua.
Luego de 50 horas de uso, limpie el motor soplando aire seco hacia los orificios de ventilación del motor con una pistola de aire u otra herramienta (Fig. 35). La acumulación de polvo o partículas en el motor puede resultar en daños.
4. Inspección y mantenimiento del protector inferior
Siempre asegúrese de que el protector inferior se mueva suavemente.
En caso de fallos de funcionamiento, repare el protector inferior inmediatamente.
Para la limpieza y el mantenimiento, utilice una pistola de aire u otra herramienta para limpiar el espacio situado entre el protector inferior y la cubierta del engranaje, así como la parte giratoria del protector inferior, mediante la aplicación de aire seco (Fig. 35). Esta medida es eficaz contra la emisión de virutas u otras partículas.
La acumulación de virutas u otras partículas alrededor del protector inferior puede resultar en fallos de funcionamiento o daños.

⚠️ ADVERTENCIA

Para evitar la inhalación de polvo o la irritación de los ojos, utilice gafas de seguridad de protección y una máscara para el polvo al usar una pistola de aire u otra herramienta para limpiar el protector inferior, los orificios de ventilación u otras partes del producto.



5. Limpie el interior de la cubierta de sierra
Inspeccione y limpie periódicamente la cubierta de sierra para asegurarse de que no haya acumulación de virutas ni de otras partículas.
6. Comprobación del polvo
El polvo podrá eliminarse con un paño suave y seco o ligeramente humedecido en agua jabonosa. No utilice lejía, cloro, gasolina, ni diluidor de pintura, porque podrían dañar el plástico.
7. Inspección de los terminales (herramienta y batería)
Compruebe para asegurarse de que no se han acumulado virutas ni polvo en los terminales. En ocasiones verifique antes, durante y después de la operación.

⚠️ PRECAUCIÓN

Retire las virutas o el polvo que pudiera haberse acumulado en los terminales. De lo contrario puede producirse un fallo en el funcionamiento.

8. Lubricación
Los rodamientos de esta herramienta se encuentran lo suficientemente lubricados con aceite de lubricación de calidad, teniendo en cuenta la vida útil esperada de esta herramienta en condiciones de operación normales. Como resultado, no se necesita más lubricación.
9. Eliminación de las baterías agotadas

⚠ ADVERTENCIA

No tire las baterías agotadas. Las baterías pueden explotar si se incineran. La batería es reciclable. Cuando se agote su duración útil, de acuerdo con las leyes estatales y locales, puede ser ilegal tirar esta batería a la basura, Solicite a las autoridades locales los detalles sobre las opciones de reciclado o de la forma de deshacerse apropiadamente de la batería.

10. Almacenamiento
Guarde la herramienta en un lugar con menos de 104°F (40°C) y fuera del alcance de niños.

NOTA

Almacenar baterías de ion-litio
Compruebe que las baterías de ion-litio se han cargado completamente antes de almacenarlas.
Un almacenamiento prolongado de las baterías (3 meses o más) con carga baja podría deteriorar su funcionamiento, reduciendo en gran medida el tiempo de uso de la batería o haciendo que las baterías no puedan mantener una carga.
No obstante, la reducción en gran medida del tiempo de uso de la batería puede recuperarse si se carga y utiliza de dos a cinco veces.
Si el tiempo de uso de la batería es extremadamente corto a pesar de haber cargado y utilizado la batería varias veces, deberá considerarla agotada y comprar una nueva.

11. Mantenimiento y reparación
Todas las herramientas eléctricas de calidad requieren de vez en cuando el servicio de mantenimiento o el reemplazo de piezas debido al desgaste producido durante la utilización normal. Para asegurarse de que solamente se utilicen piezas de reemplazo autorizadas, todos los servicios de mantenimiento y reparación deberán realizarse SOLAMENTE EN UN CENTRO DE SERVICIO AUTORIZADO DE metabo HPT.

MODIFICACIONES:

metabo HPT Power Tools introduce constantemente mejoras y modificaciones para incorporar los últimos avances tecnológicos.
Por consiguiente, algunas partes pueden ser modificadas sin previo aviso.

Aviso importante sobre las pilas de las herramientas inalámbricas de metabo HPT

Utilice siempre una de nuestras pilas genuinas. No podemos garantizar la seguridad y el funcionamiento de nuestra herramienta eléctrica inalámbrica cuando se utiliza con pilas diferentes a las indicadas por nosotros o cuando la pila se desmonta y modifica (como cuando se desmontan y sustituyen celdas u otras piezas internas).

GUIA DE IDENTIFICACION DE PROBLEMAS

ADVERTENCIA

- Para evitar lesiones provocadas por arranques accidentales, apague el interruptor y extraiga la batería de la fuente de alimentación o extraiga la batería del cuerpo principal antes de realizar ajustes.
- Todas las reparaciones eléctricas o mecánicas deberán ser realizadas únicamente por técnicos de servicio calificados. Póngase en contacto con un Centro de Servicio Autorizado de metabo HPT.

1. Herramienta eléctrica

Síntoma	Posible causa	Solución
La herramienta no funciona	No hay carga restante en la batería	Cargue la batería.
	La batería no está completamente instalada.	Empuje la batería hasta que oiga un clic.
La herramienta se ha detenido repentinamente	La herramienta se ha sobrecargado	Deshágase del problema que causa la sobrecarga.
	La protección contra sobrecargas está en funcionamiento.	
	La batería se calienta excesivamente.	Deje que la batería se enfríe.
No se puede inclinar	La palanca de inclinación no está aflojada.	Intente inclinar después de aflojar la palanca de inclinación. Apriete las piezas aflojadas después de hacer los ajustes necesarios.
No corta bien	La hoja de sierra está desgastada o le faltan dientes.	Reemplácela con una nueva hoja de sierra.
	El perno está flojo.	Apriete firmemente el perno.
	La hoja de sierra está instalada hacia atrás.	Instale la hoja de sierra en la dirección correcta.
No se puede tirar del interruptor	El botón de desactivación del bloqueo no se ha empujado lo suficiente.	Presione el botón de desactivación del bloqueo hasta introducirlo por completo.
La descarga de serrín es deficiente	El serrín se ha acumulado en la cubierta de la sierra.	Retire el serrín acumulado dentro de la cubierta de la sierra.
No se puede instalar la batería	Intentar instalar otra batería que no sea la especificada para la herramienta.	Instale una batería de tipo voltio múltiple.

2. Cargador

Síntoma	Posible causa	Solución
El testigo indicador de carga está parpadeando en púrpura rápidamente y la carga de la batería no comienza.	La batería no está insertada completamente.	Inserte la batería firmemente.
	Hay materias extrañas en el terminal de la batería o en el lugar en el que la batería está colocada.	Quite la materia extraña.
El testigo indicador de carga parpadea en rojo y la carga de la batería no comienza.	La batería no está insertada completamente.	Inserte la batería firmemente.
	La batería se calienta excesivamente.	Si la deja sola la batería comenzará a cargar automáticamente si su temperatura disminuye, pero esto puede acortar la duración de la batería. Es recomendable que la batería se enfríe en un lugar bien ventilado lejos de la luz directa del sol antes de cargarla.
El tiempo de uso de la batería es corto aún cuando está completamente cargada.	La vida de la batería se ha agotado.	Cambie la batería por una nueva.
La batería tarda mucho tiempo en cargarse.	La temperatura de la batería, el cargador, o el entorno es extremadamente baja.	Cargue la batería en interiores o en otro ambiente más cálido.
	Las aberturas de ventilación del cargador están obstruidas, lo que provoca que sus componentes internos se calienten excesivamente.	Evite bloquear las aberturas de ventilación.
	El ventilador de enfriamiento no está en marcha.	Póngase en contacto con un centro de servicio autorizado de metabo HPT para llevar a cabo las reparaciones.
La lámpara de alimentación USB ha sido apagada y el dispositivo USB ha dejado de cargarse.	La capacidad de la batería se ha vuelto baja.	Cambie la batería por una que tenga capacidad restante.
		Enchufe la clavija del cargador a una toma de corriente eléctrica.
La lámpara de alimentación USB no se apaga incluso después de que ha finalizado la carga del dispositivo USB.	La lámpara de alimentación USB se enciende en verde para indicar que es posible la carga mediante USB.	Esto no es un mal funcionamiento.
No está claro cuál es el estado de carga del dispositivo USB, o si su carga se ha completado.	La lámpara de alimentación USB no se apaga incluso cuando la carga ha finalizado.	Examine el dispositivo USB que se está cargando para confirmar su estado de carga.

Síntoma	Posible causa	Solución
La carga de un dispositivo USB se detiene a mitad de proceso.	El cargador estaba conectado a una toma de corriente mientras el dispositivo USB se estaba cargando utilizando la batería como fuente de alimentación.	Esto no es un mal funcionamiento. El cargador hace una pausa en la carga USB durante unos 5 segundos cuando está diferenciando entre las fuentes de alimentación.
	Una batería estaba introducida en el cargador mientras el dispositivo USB se estaba cargando utilizando un enchufe de red como fuente de alimentación.	
La carga del dispositivo USB se detiene en un punto intermedio cuando la batería y el dispositivo USB se están cargando al mismo tiempo.	La batería se ha cargado completamente.	Esto no es un mal funcionamiento. El cargador hace una pausa en la carga USB durante unos 5 segundos mientras comprueba si la batería ha completado con éxito la carga.
La carga del dispositivo USB no se inicia cuando la batería y el dispositivo USB se están cargando al mismo tiempo.	La capacidad restante de la batería es extremadamente baja.	Esto no es un mal funcionamiento. Cuando la capacidad de la batería alcanza un cierto nivel, la carga USB comienza automáticamente.

3. Adaptador de CA/CC

Problema	Posible Causa	Posible Solución
La luz de error del adaptador está parpadeando en rojo y la herramienta no opera cuando se enciende.	La salida de potencia está suspendida porque la herramienta o el adaptador de CA/CC están sobrecalentados.	Espere a que la herramienta y el adaptador de CA/CC se enfrien suficientemente.
La luz de error del adaptador parpadea rápidamente en rojo y el motor no opera cuando se enciende la herramienta.	La salida de potencia está suspendida porque la herramienta está sobrecargada.	Quite lo que causó la sobrecarga.
Durante la operación de protección, el LED parpadeará de forma diferente para el uso del adaptador de CA/CC y para el uso de la batería.		Esto no es un fallo de funcionamiento.

ACCESORIOS

⚠ ADVERTENCIA

UTILICE únicamente repuestos y accesorios autorizados por metabo HPT. No utilice nunca repuestos o accesorios no previstos para usar con esta herramienta. Si tiene dudas en cuanto a la seguridad de usar determinado repuesto o accesorio junto con su herramienta, póngase en contacto con metabo HPT. La utilización de otros accesorios puede resultar peligrosa y causar lesiones o daños mecánicos.

NOTA

Las especificaciones están sujetas a cambio sin ninguna obligación por parte de metabo HPT.

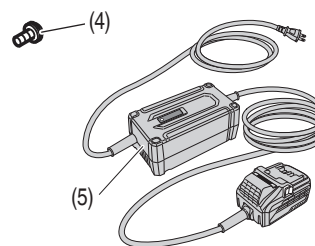
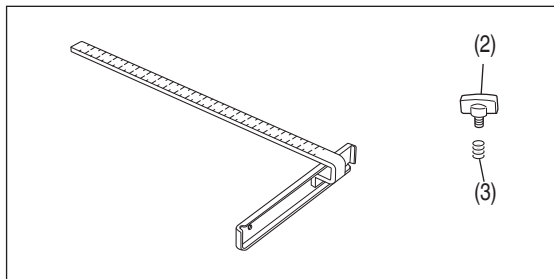
ACCESORIOS ESTÁNDAR

C3607DWA (WCK)	1. Hoja de la sierra 1					
	<table border="1"> <thead> <tr> <th>Diá externo</th> <th>Diá del orificio</th> <th>Núm. de código</th> </tr> </thead> <tbody> <tr> <td>7-1/4" (185 mm)</td> <td>5/8" (15.9 mm)</td> <td>115750M</td> </tr> </tbody> </table>	Diá externo	Diá del orificio	Núm. de código	7-1/4" (185 mm)	5/8" (15.9 mm)
Diá externo	Diá del orificio	Núm. de código				
7-1/4" (185 mm)	5/8" (15.9 mm)	115750M				
	2. Llave (Núm. de código 957683) 1					
	3. Conjunto colector de polvo (Núm de código 324887) (incluye (4)) 1					
	4. Cargador de baterías (UC18YSL3)..... 1					
	5. Baterías (BSL36B18)..... 1					
	6. Tapa de batería (Núm. de código 329897)..... 1					
	7. Bolsa (Núm. de código 371108) 1					
C3607DWA (NN)	La batería, el cargador de baterías, la funda de la batería y la bolsa no se incluyen.					

ACCESORIOS OPCIONALES.....de venta por separado

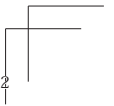
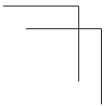
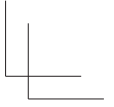
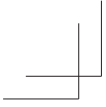
- | | |
|---|--|
| (1) Guía (Guía de corte) (Núm de código 378052) | (4) Tornillo M4 (para el recogedor de polvo)
(Núm de código 935196) |
| (2) Perno de ajetas (Núm de código 301806) | (5) Adaptador de CA/CC (ET36A) |
| (3) Resorte de seguridad (Núm de código 947859) | |

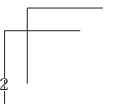
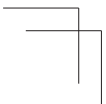
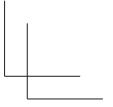
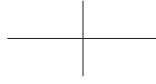
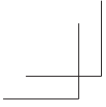
(1)



NOTA

Las especificaciones están sujetas a cambio sin ninguna obligación por parte de metabo HPT.





WARNING:

Some dust created by power sanding, sawing, grinding, drilling, and other construction activities contains chemicals known to the State of California to cause cancer, birth defects or other reproductive harm. Some examples of these chemicals are:

- Lead from lead-based paints,
- Crystalline silica from bricks and cement and other masonry products, and
- Arsenic and chromium from chemically-treated lumber.

Your risk from these exposures varies, depending on how often you do this type of work. To reduce your exposure to these chemicals: work in a well ventilated area, and work with approved safety equipment, such as those dust masks that are specially designed to filter out microscopic particles.

AVERTISSEMENT:

La poussière résultant d'un ponçage, d'un sciage, d'un meulage, d'un perçage ou de toute autre activité de construction renferme des produits chimiques qui sont connus par l'Etat de Californie pour causer des cancers, des défauts de naissance et autres anomalies de reproduction. Nous énumérons ci-dessus certains de ces produits chimiques:

- Plomb des peintures à base de plomb,
- Silice cristalline des briques et du ciment et autres matériaux de maçonnerie, et
- Arsenic et chrome du bois d'oeuvre traité chimiquement.

Le risque d'exposition à ces substances varie en fonction de la fréquence d'exécution de ce genre de travail. Pour réduire l'exposition à ces produits chimiques, travailler dans un lieu bien ventilé, et porter un équipement de protection agréé, par exemple un masque anti-poussière spécialement conçu pour filter les particules microscopiques.

ADVERTENCIA:

Algunos polvos creados por el lijado mecánico, el aserrado, el esmerilado, el taladrado y otras actividades de construcción contienen sustancias químicas conocidas por le Estado de California como agentes cancerígenos, defectos congénitos y otros daños reproductores. Algunos ejemplos de estas sustancias químicas son:

- El plomo de las pinturas a base de plomo,
- El sílice cristalino de los ladrillos y cemento y otros productos de mampostería, y
- El arsénico y el cromo de la madera tratada químicamente.

El riesgo resultante de la exposición varía según la frecuencia con que se realiza este tipo de trabajo. Para reducir la exposición a esta sustancias químicas: trabaje en un lugar bien ventilado y realice el trabajo utilizando el equipamiento apropiado, tal como las máscaras para el polvo especialmente diseñados para eliminar las partículas minúsculas.



Please contact Koki Holdings America Ltd. at 1-800-59-TOOLS (toll free), or metabo HPT AUTHORIZED POWER TOOL SERVICE CENTER regarding COLLECTION.

Pour le RAMASSAGE, contacter Koki Holdings America Ltd. au 1-800-59-TOOLS (appel gratuit), ou UN SERVICE APRÈS-VENTE D'OUTILS ÉLECTRIQUE AGRÉÉ PAR metabo HPT.

Con respecto a la RECOLECCIÓN de baterías, póngase en contacto con Koki Holdings America Ltd. número 1-800-59-TOOLS (llamada gratis), o con metabo HPT AUTHORIZED POWER TOOL SERVICE CENTER.

Issued by

Koki Holdings Co., Ltd.

Shinagawa Intercity Tower A, 15-1, Konan 2-chome,
Minato-ku, Tokyo 108-6020, Japan

Distributed by

Koki Holdings America Ltd.

1111 Broadway Ave,
Braselton, Georgia, 30517

Koki Holdings America Ltd. Canadian Branch

3405 American Drive, Units 9-10,
Mississauga, ON, L4V 1T6

108
Code No. C99263561 G
Printed in China