

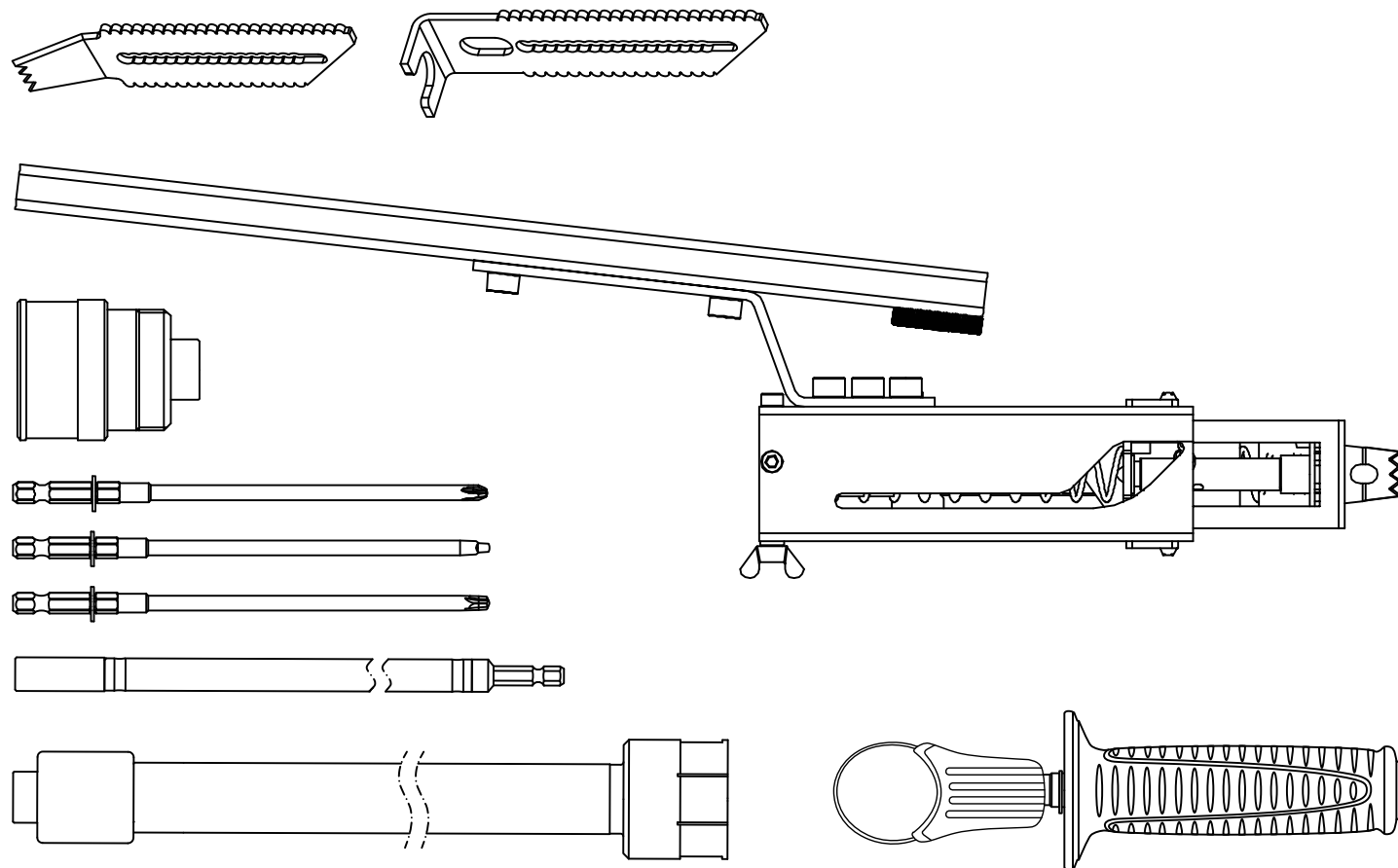
HITACHI SuperDrive Auto-feed Screw System WARRANTY

HITACHI SuperDrive tools and system components are warranted to the original retail purchaser to be free from defects in material and workmanship One year from the date of purchase. A dated sales receipt or proof of purchase is required to make a warranty claim.

The warranty shall only cover defects in material or workmanship. The warranty shall not cover normal wear items or issues arising from improper use, as determined by HITACHI Koki USA, Ltd. in its absolute discretion.

HITACHI Koki USA, Ltd. is not responsible for malfunctions, failures or defects resulting from misuse, abuse, neglect, alteration, or modification of the HITACHI SuperDrive tool and system components. HITACHI Koki USA, Ltd. disclaims any warranty regarding fitness for any particular use or application of its tools or fasteners. No other warranties, representations or promises as to the quality or performance of the HITACHI SuperDrive fastening tool and system components are made, other than those contained herein.

ANY IMPLIED WARRANTY GRANTED UNDER STATE LAW, INCLUDING WARRANTIES OR MERCHANTABILITY OR FITNESS FOR A PARTICULAR PURPOSE, ARE LIMITED TO DURATION OF THE EXPRESS WARRANTY GRANTED HEREIN. HITACHI KOKI USA, LTD. SHALL NOT BE LIABLE FOR DIRECT, INDIRECT, INCIDENTAL, PUNITIVE, OR CONSEQUENTIAL DAMAGES. SOME STATES DO NOT ALLOW FOR EXCLUSIONS OR LIMITATIONS OF DAMAGES SO THE ABOVE LIMITATIONS MAY NOT APPLY.



HITACHI

SuperDrive® 75 Series

SAFETY NOTES:

1. Make sure the SuperDrive 75 tool is powered down and unplugged before replacing a bit, or removing the indexing unit.
2. Never use SuperDrive 75 while standing on an unstable platform.
3. Never point the driver at yourself or others in the work area.
4. Avoid wearing loose clothing, jewelry or other items that could become caught in the tool.
5. Make sure SuperDrive 75 is clear of clothing, hair or other loose items while operating the tool.
6. Make sure the tool is powered down and unplugged before performing any adjustment or repair to the indexing module.
7. Always use collated screws and strips that are designed for this tool. See Technical Data below.

TECHNICAL DATA:

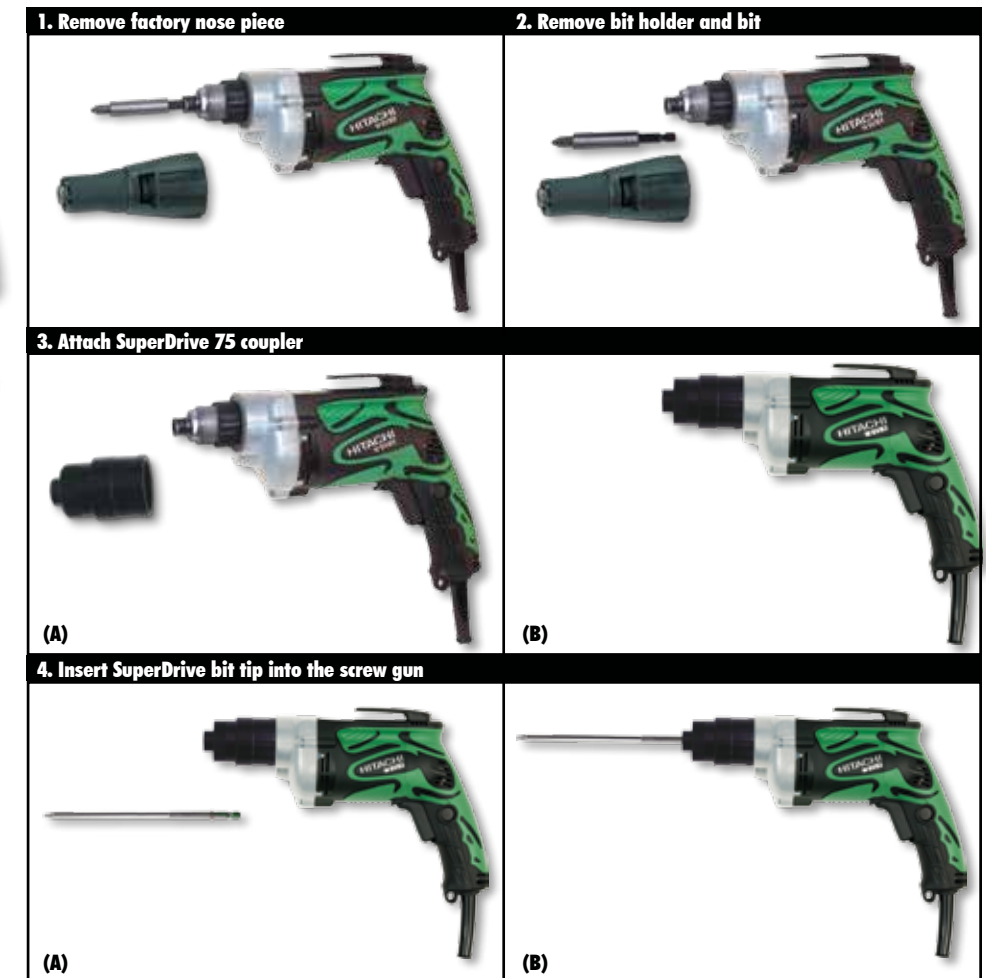
1. Use SuperDrive 75 with #6-#12 gauge screws only.
2. Use SuperDrive 75 with screw lengths from 5/8-in (16mm) - 3-in (76mm) only.
3. SuperDrive 75 is designed for fastener head diameters up to 3/8-in.
4. Only use bits with a 6mm shank diameter with SuperDrive 75.
5. SuperDrive 75 is designed to work best with the following bits:
725449 - 178mm Square
725438 - 178mm Phillips
725439 - 178mm LOX

Operating Instructions for SuperDrive® 75



OPERATING SuperDrive 75 Attaching the indexing Module

1. Remove the factory nose piece and bit from the driver.
2. Remove the bit holder from the driver.
3. Attach SuperDrive 75 coupler to the Hitachi driver. (A,B)
4. Insert SuperDrive bit tip into the screw gun. (A,B)



HITACHI

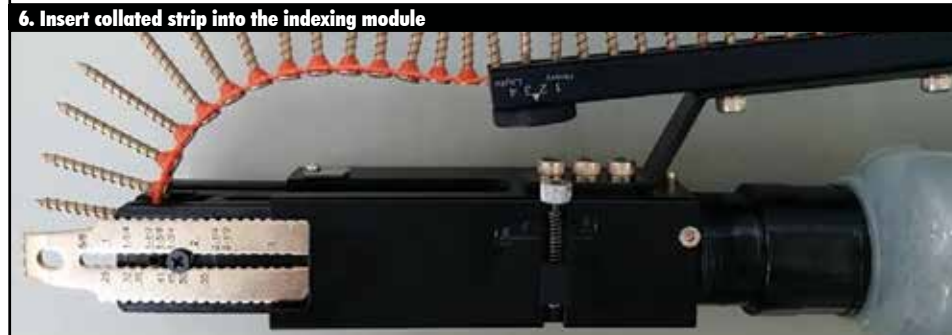
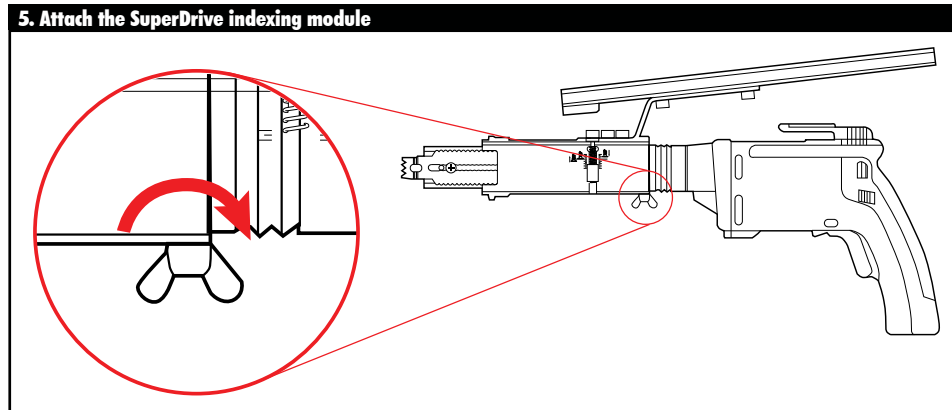
SuperDrive® 75 Series

OPERATING SuperDrive 75

5. Slide the SuperDrive 75 indexing module onto the coupler and tighten the locking wing nut clockwise.

6. Insert a collated strip of screws into the indexing module guiding the strip through the feed track and into the indexing guide.

7. Position the first screw in the strip in the center of the bit tip guide.



**OPERATING SuperDrive 75
Attaching the extension**

1. Remove the factory nose piece and bit from the driver and install the SuperDrive 75 coupler as described in the instructions 1-3 (Attaching the indexing module) above.

2. Slide the SuperDrive handle onto the coupler. Rotate the handle to the desired position. Then rotate the grip clockwise securing it into position.

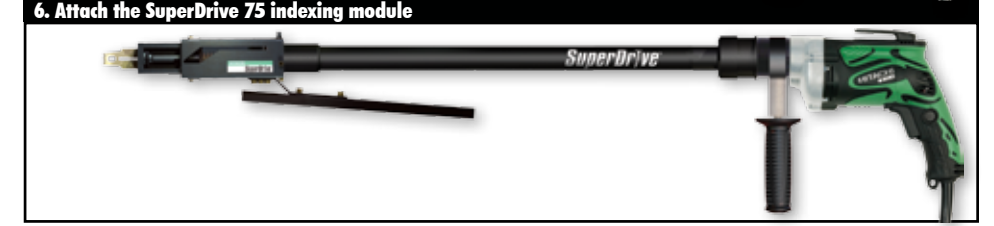
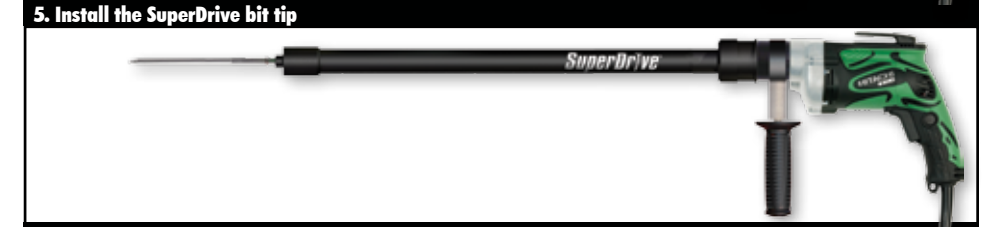
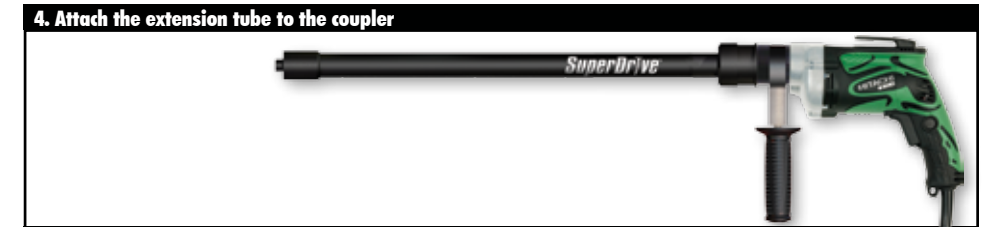
3. Fit the bit rod extension into the driver.



4. Attach the SuperDrive extension tube to the coupler. Rotate the extension tube counter clockwise screwing it onto the coupler.

5. Insert the SuperDrive bit tip into the bit holder.

6. Attach the SuperDrive 75 indexing module to the extension tube and tighten the wing-nut securing it to the extension tube.

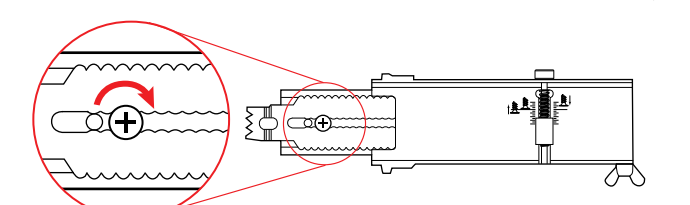
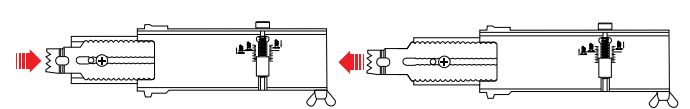
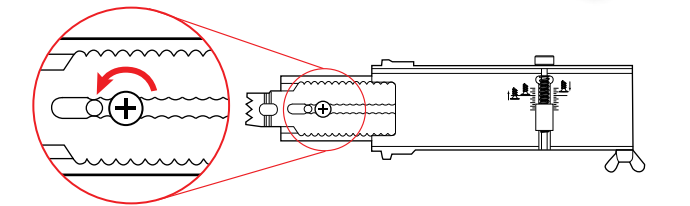


ADJUSTING FOR FASTENER LENGTH(Coarse adjustment)

1. Loosen the Phillips set screw on the nose piece by rotating it counter clockwise.

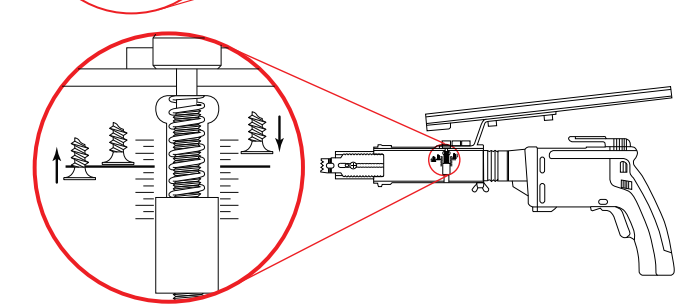
2. Move the nose piece in or out as needed to match fastener length.

3. Tighten the set screw back down turning it clockwise to secure the nose piece in place for operation.



FINE DEPTH ADJUSTMENT

Twist the knurled wheel at the top of the SuperDrive 75 indexing module to make fine depth adjustment. An adjustment scale and guide are located on the top of the tool.



SUGGESTIONS FOR OPERATION:

For best results position SuperDrive 75 at a right angle to the work surface as much as is possible. Allow the driver to fully spin up before pressing SuperDrive 75 to the sub-strait surface. Press SuperDrive 75 to the sub-strait maintaining even and consistent pressure until the fastener is fully driven in. Check fastener depth and make any necessary fine adjustment. Keep the driver fully spun up as subsequent screws are driven.

Check to see that the Hitachi driver is in the right (R) or forward position before operating the tool.

