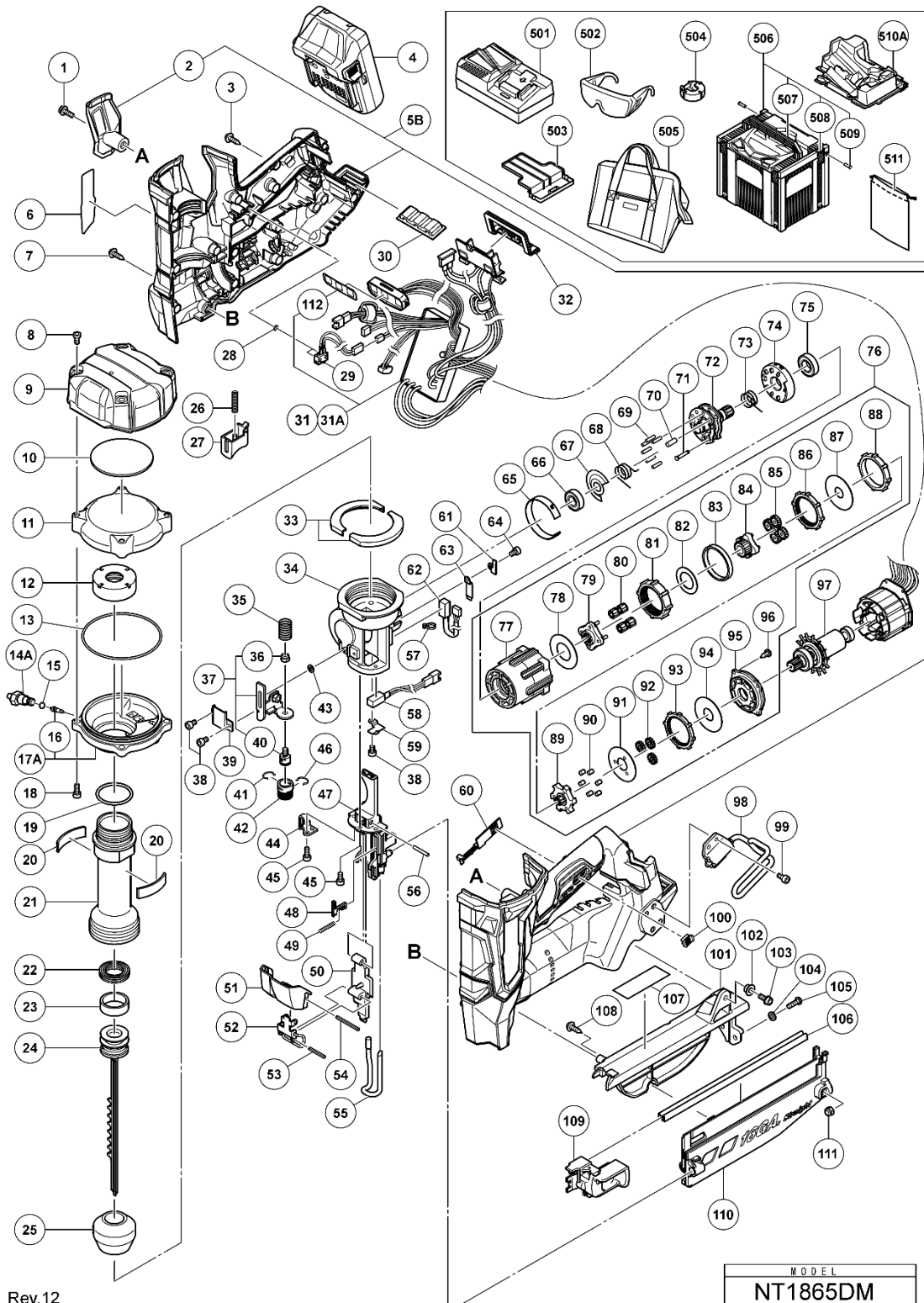


## PNEUMATIC TOOL PARTS LIST

CORDLESS FINISH NAILER  
MODEL NT 1865DMS

2021 • 05 • 10  
(E1)



Rev.12  
22.7.2020

MODEL  
NT1865DM

## PARTS

NT1865DMS

ITEM NO.	CODE NO.	DESCRIPTION	NO. USED	REMARKS
1	880219	HEX. SOCKET HD. BOLT (W/FLANGE) M5X16	1	
2	371225	HOUSING (C)	1	
3	301653	TAPPING SCREW (W/FLANGE) D4X20 (BLACK)	13	
**4	339782	BATTERY BSL 1830C (USA.CAN)	1	INCLUD.503
**5B	371009M	HOUSING ASS'Y	1	INCLUD.2 FOR USA.CAN
6		LABEL	1	
7	994806	P-TITE SCREW D4X20	1	
8	371015	HEX. SOCKET BOLT M5	4	
9	371014	TOP COVER	1	
10	371012	RUBBER CUSHION (C)	1	
11	371035	CHAMBER COVER	1	
12	371040	SPECIAL NUT M36	1	
13	371037	O-RING (I.D 79.5)	1	
14A	376085	CHARGE CAP	1	
15	872822	O-RING (S-5)	1	
16	371038	VALVE CORE	1	
17A	376548	CHAMBER BASE ASS'Y	1	INCLUD.16
18	949658	HEX. SOCKET HD. BOLT M5X18 (10 PCS.)	4	
19	371042	O-RING (I.D 32.99)	1	
20	371011	RUBBER CUSHION (B)	2	
21	371041	CYLINDER	1	
22	371046	X-RING	1	
23	371047	SLIDE RING	1	
24	371044	PISTON	1	
25	371048	PISTON BUMPER	1	
26	332000	SPRING (T)	1	
27	371021	TRIGGER	1	
28	371020	O-RING (I.D 2.5)	2	
29	371019	SWITCH CABLE (A)	1	
30	332668	RUBBER CUSHION	1	
**31A	376524	WIRING ASS'Y	1	INCLUD.112 FOR USA.CAN
32	370728	TERMINAL RUBBER (A)	1	
33	371010	RUBBER CUSHION (A)	2	
34	371049	NOSE	1	
35	371067	SPRING	1	
36	877371	NYLON NUT M5	1	
37	371064	PUSHING LEVER ARM ASS'Y	1	INCLUD.36.40
38	325077	SEAL LOCK HEX. SOCKET HD. BOLT M3X6	3	
39	371058	PUSHING LEVER ARM HOLDER	1	
40	371065	PUSHING LEVER PIECE	1	
41	881765	RATCHET SPRING	1	
42	887358	ADJUSTER	1	
43	371062	WASHER D4	1	
44	371060	PUSHING LEVER ARM HOLDER (A)	1	
45	886311	SEAL LOCK HEX. SOCKET HD. BOLT M4X12	3	
46	886331	RATCHET SPRING	1	
47	371056	BLADE GUIDE	1	
48	371092	LOCK PLATE	1	
49	886305	LOCK SPRING	1	
50	371069	GUIDE PLATE	1	
51	371078	LOCK LEVER COVER	1	
52	371075	LOCK LEVER	1	
53	371077	ROLL PIN D3X22	1	
54	371080	ROLL PIN D3X32	1	
55	371082	PUSHING LEVER	1	
56	371072	NEEDLE ROLLER D3	1	
57	6696839	WIRE BAND	1	
58	371022	SENSOR (B)	1	
59	371052	SENSOR HOLDER (A)	1	
60	331790	LEVER (C)	1	
61	371053	SENSOR HOLDER (A)	1	
62	371023	SENSOR (C)	1	
63	371054	SENSOR HOLDER (B)	1	
64	325241	SEAL LOCK HEX. SOCKET HD. BOLT M3X8	1	
65	371051	SHIELD RING	1	
66	371033	BALL BEARING 6900VVCM	1	
67	371032	WASHER (A)	1	



