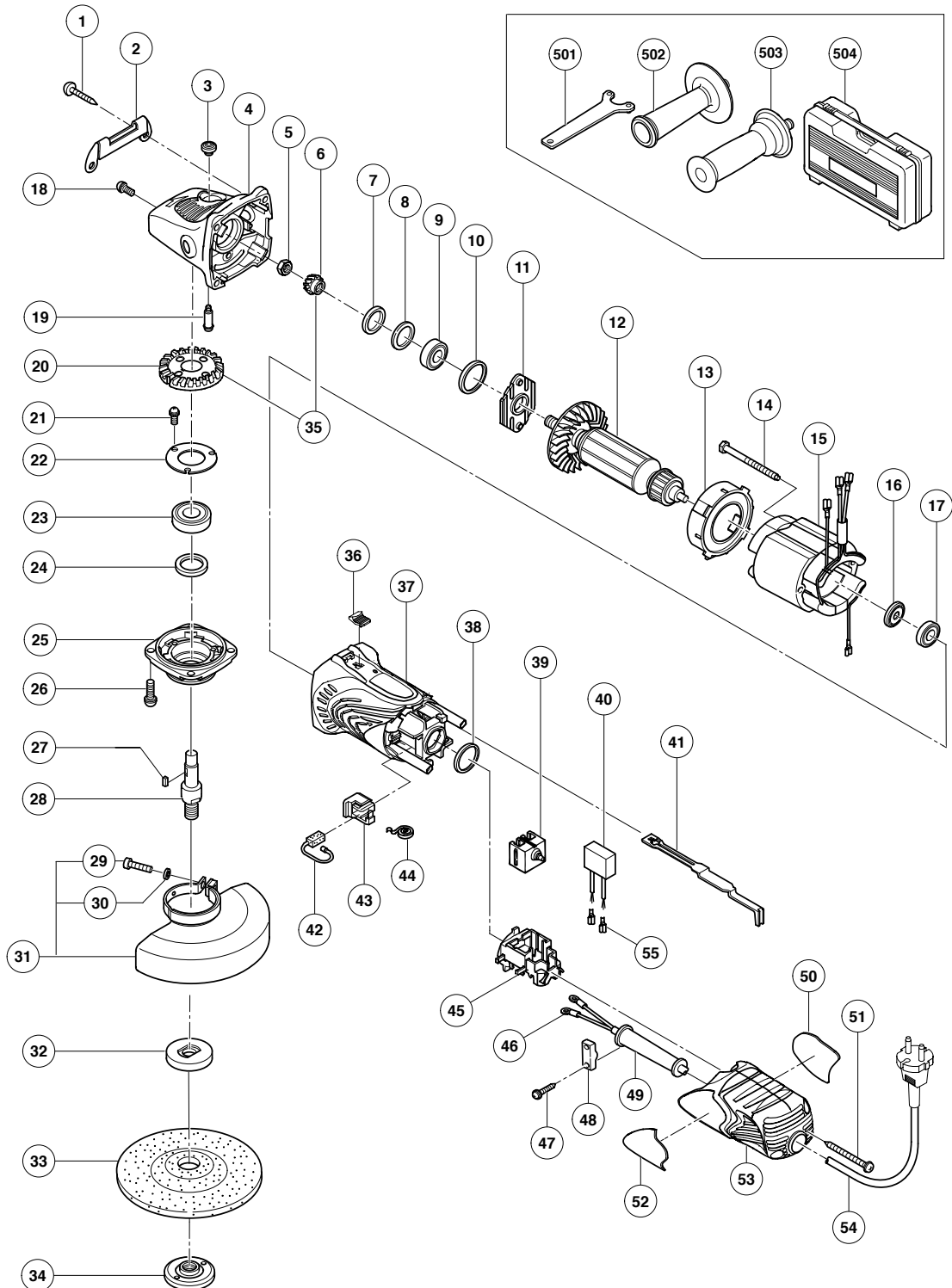


## ELECTRIC TOOL PARTS LIST

■ DISC GRINDER  
Model G 12SA3

2005 · 12 · 23  
(E1)



## PARTS

G 12SA3

ITEM NO.	CODE NO.	DESCRIPTION	NO. USED	REMARKS
1	320-523	TAPPING SCREW D5X25 (BLACK)	4	
2	325-053	GUARD PLATE	1	
3	301-944	PUSHING BUTTON	1	
4	321-737	GEAR COVER ASS'Y	1	INCLUD. 3, 19
5	949-558	NUT M8 (10 PCS.)	1	
6	308-541	PINION	1	
7	308-543	SEAL RING (A)	1	
8	980-866	WASHER (C)	1	
9	629-T12	BALL BEARING 629T12DDC3PS2-L	1	
10	957-754	RUBBER RING	1	
11	321-734	BEARING COVER	1	
* 12	360-734U	ARMATURE ASS'Y 120V	1	INCLUD. 9, 16, 17
* 12	360-734E	ARMATURE 230V-240V	1	
13	321-732	FAN GUIDE	1	
14	982-021	HEX. HD. TAPPING SCREW D4X70	2	
* 15	340-645D	STATOR 120V	1	
* 15	340-645E	STATOR 230V	1	
* 15	340-645F	STATOR 240V	1	
16	315-877	DUST SEAL	1	
17	608-VVM	BALL BEARING 608VVC2PS2L	1	
18	303-255	SEAL LOCK SCREW (W/SP. WASHER) M4X10	2	
19	301-943	LOCK PIN	1	
20	321-736	GEAR	1	
21	991-207	SEAL LOCK SCREW (W/SP. WASHER) M4X8	3	
22	936-680	BEARING COVER (B)	1	
23	620-1DD	BALL BEARING 6201DDCMPS2L	1	
24	308-546	FELT PACKING	1	
25	308-545	PACKING GLAND	1	
26	307-046	SEAL LOCK SCREW (W/SP. WASHER) M5X16	4	
27	944-109	FEATHER KEY 3X3X8	1	
* 28	994-301	SPINDLE (A)	1	
* 28	994-302	SPINDLE (B)	1	FOR USA, CAN
29	949-241	MACHINE SCREW M5X20 (10 PCS.)	1	
30	949-454	SPRING WASHER M5 (10 PCS.)	1	
31	319-656	WHEEL GUARD ASS'Y	1	INCLUD. 29, 30
* 32	937-817Z	WHEEL WASHER	1	
* 32	937-928Z	WHEEL WASHER (A) FOR D16 HOLE	1	FOR USA, CAN
33	316-821	D. C. WHEELS 115MM A36Q (25 PCS.)	1	
* 34	994-324	WHEEL NUT M14	1	
* 34	937-923P	WHEEL NUT 5/8"-11UNC	1	FOR USA, CAN
35	321-735	GEAR AND PINION ASS'Y	1	INCLUD. 6, 20
36	314-428	SLIDE KNOB	1	
37	325-050	HOUSING	1	
38	321-733	RUBBER RING	1	
39	319-319	PUSHING BUTTON SWITCH	1	
* 40	930-039	NOISE SUPPRESSOR	1	EXCEPT FOR USA, CAN
41	325-051	SLIDE BAR	1	
42	999-088	CARBON BRUSH (1 PAIR)	2	
43	317-810	BRUSH HOLDER	2	
44	308-536	SPRING	2	
45	325-054	SWITCH HOLDER	1	



