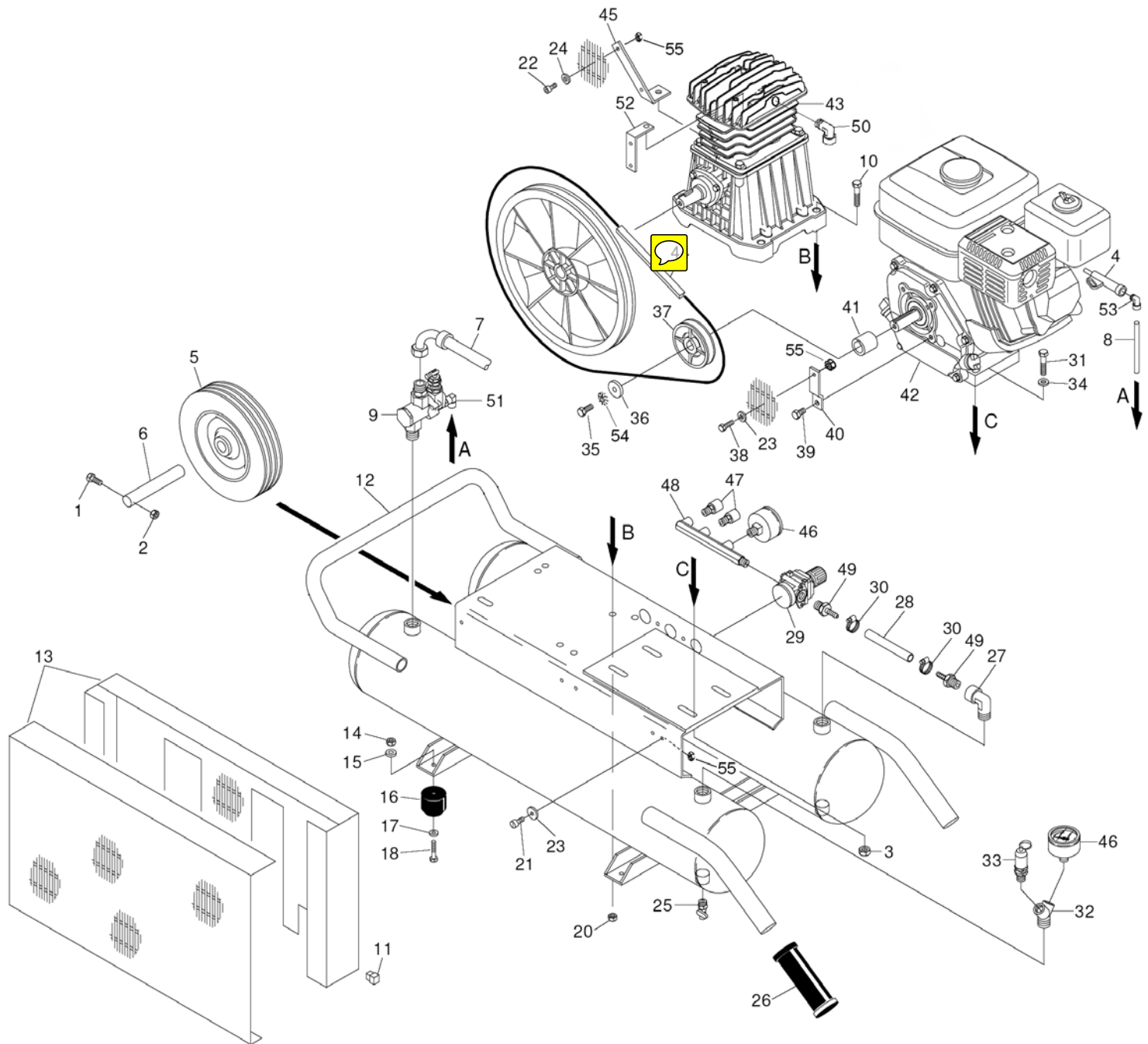


GAS COMPRESSOR PARTS LIST

■ GAS AIR COMPRESSOR
Model EC 2510E

2007 • 03 • 29
(E2)

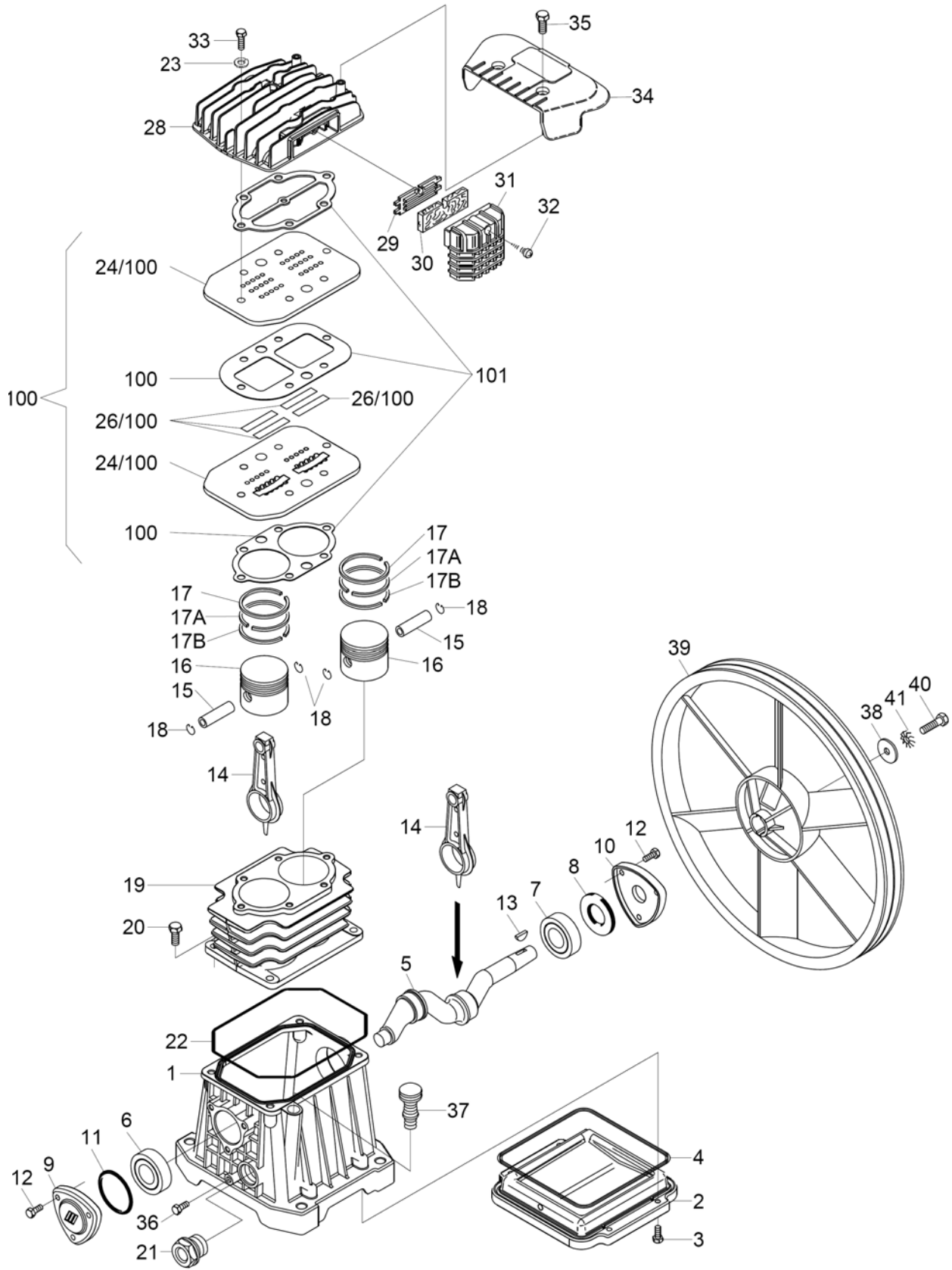


Parts List

EC2510E

Item #	Code #	DESCRIPTION NO	USED	Remarks
1	881551	SCREW, (5pcs.)	2	4084130000
2	881401	NUT, (10pcs.)	2	4084410000
3	885557	NUT	4	7020240000
4	885422	PNEUMATIC ACCELERATOR	1	9100710060
5	160616	WHEEL	1	9700000381
6	885424	WHEEL PIN	1	9100710050
7	885425	INFEED TUBE	1	9100710030
8	881675	TUBE	1	4089000019
9	885426	AUTO UNLOADING VALVE	1	9100930120
10	160608	SCREW, (3pcs.)	4	4084110000
11	885427	CLAMP	6	7092010000
12	885428	TANK	1	9700000258
13	885429	BELT GUARD	1	7240260000
14	881401	NUT, (10pcs.)	4	4084410000
15	881419	WASHER, (10pcs.)	4	4084470000
16	881684	RUBBER, (4pcs.)	4	9700000256
17	881573	WASHER, (10pcs.)	4	4084500000
18	881454	SCREW, (5pcs.)	4	4084140000
20	160611	NUT, (5pcs.)	4	4084400000
21	881479	SCREW, (5pcs.)	8	4084270000
22	881479	SCREW, (5pcs.)	1	4084270000
23	881573	WASHER, (10pcs.)	8	4084500000
24	881573	WASHER, (10pcs.)	1	4084500000
25	882610	DISCHARGE TAP	1	7130440000
26	881582	RUBBER HANDLE	1	9100930130
27	881677	JOINT	1	7080010000
28	885431	HOSE	1	6011301008
29	885432	PRESSURE REDUCER	1	9100930140
30	885433	HOSE CLAMP	2	9100710090
31	885434	SCREW, (5pcs.)	4	4084150000
32	885435	JOINT	1	7082140000
33	881652	SAFETY VALVE	1	7192840000
34	160612	WASHER, (10pcs.)	8	4084490000
35	885436	SCREW, (3pcs.)	1	4084190000
36	885437	WASHER	1	7152550000
37	885438	PULLEY	1	9100930150
38	881479	SCREW, (5pcs.)	1	4084270000
39	884424	SCREW, (5pcs.)	1	4084080000
40	885440	PLATE	1	9100710020
41	885441	SPACER	1	9100710070
42	885442	GASOLINE ENGINE	1	7385390000
43	885443	PUMPING UNIT (WITH FLYWHEEL)	1	9700000253
44	885444	BELT, 13X1194MM,1/2X47"	1	7371050000
45	885445	PLATE	1	7457960000
46	885446	PRESSURE GAUGE	2	7110300000
47	885447	JOINT	2	9100640020
48	885448	MANIFOLD	1	9100710080
49	885449	HOSE TAIL FITTING	2	6003703808
50	885450	JOINT	1	7080160000
51	885805	JOINT	1	7080140000


Pump Section



Pump Section

Parts List

EC2510E

Item #	Code #	DESCRIPTION NO	USED	Remarks
1	885452	CRANKCASE	1	9700000259
2	885453	CRANKCASE COVER	1	9100270120
3	160573	SCREW M5x16 UNI7687, (5pcs.)	4	4084620000
4	885454	OR GASKET	1	9100270130
5	885455	CRANKSHAFT	1	9100270140
6	6203VV	BEARING 6203	1	7060180000
7	881622	BEARING 6204	1	7060200000
8	885457	OIL SEAL 20x47x7	1	9100270150
9	885458	FRONT COVER	1	9700000261
10	885459	REAR COVER	1	9700000262
11	885460	OR 144 GASKET	1	9100280010
12	881657	SCREW, (10pcs.)	6	4084170000
13	885461	KEY 1		9100280020
14	885462	CONNECTING ROD	2	9100270010
15	885463	PISTON PIN	2	9100270020
16	885464	PISTON 2		9100270030
17	885465	PISTON RINGS KIT	2	4080120000
18	885468	SEEGER 4		9100270070
19	885469	CYLINDER 1		9100270080
20	881571	SCREW, (5pcs.)	4	4084100000
21	885470	OIL LEVEL SIGHT GLASS	1	9700000408
22	885471	OR GASKET	1	9100270180
23	949457	SPRING STEEL LOCK WASHER M8, (10PCS.)	6	N/A
24	885473	VALVE PLATE	2	9100270090
26	885475	VALVE 4		9100280090
28	885477	HEAD	1	9700000263
29	881453	FILTER PLATE	1	7458340000
30	881553	FILTERING ELEMENT	1	7210010000
31	885480	INTAKE FILTER	1	9100270240
32	881412	SCREW, (10pcs.)	1	4084240000
33	885481	SCREW M8x35 UNI5931, (5pcs.)	6	4084030000
34	885482	AIR CONVEYOR	1	9100270220
35	881479	SCREW, (5pcs.)	2	4084270000
36	881657	SCREW, (10pcs.)	1	4084170000
37	885483	BREATHER PIPE PLUG 	1	4082370000
38	881663	WASHER, (2pcs.)	1	4084510000
39	885484	FLYWHEEL 1		9700000264
40	881571	SCREW, (5pcs.)	1	4084100000
41	881578	TOOTHED WASHER, (10pcs.)	1	4084530000
100	885508	SET VALVE PLATE	1	9100270260
101	160572	KIT GASKETS	1	9700000078
		C/F = Call Factory		