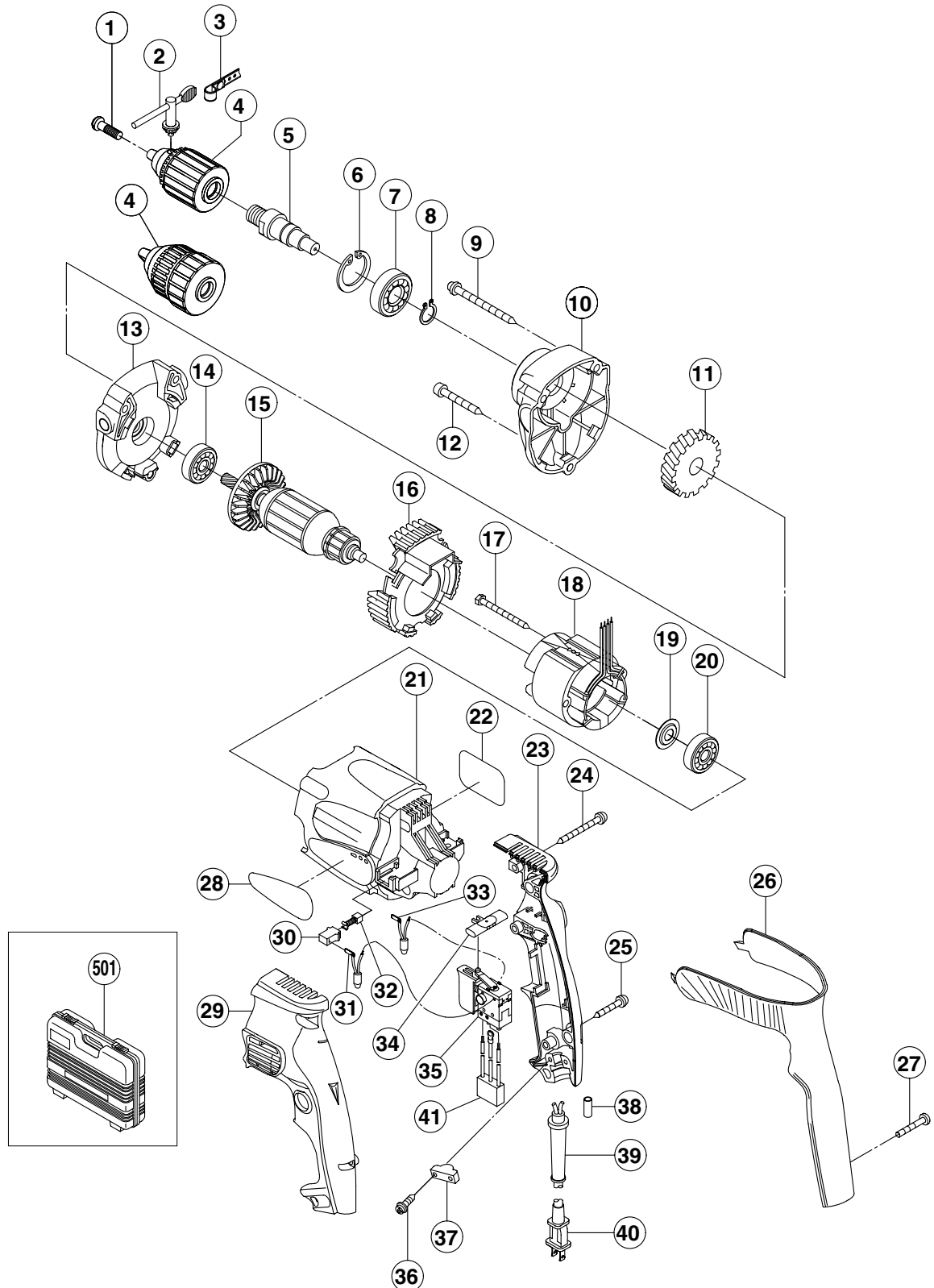


ELECTRIC TOOL PARTS LIST

DRILL

2001·8·21

Model D 10VF**(E2)**

PARTS

D 10VF

ITEM NO.	CODE NO.	DESCRIPTION	NO. USED	REMARKS
1	311-959	SPECIAL SCREW (LEFT HAND) M6X23	1	
2	319-529	CHUCK WRENCH 10VLR-J	1	
3	950-288	VINYL BAND	1	
* 4	319-342	DRILL CHUCK 10VLR-J	1	INCLUD.2
* 4	319-343	DRILL CHUCK 10VLRD-N (W/O CHUCK WRENCH)	1	
5	319-335	SPINDLE (B)	1	
6	948-001	RETAINING RING FOR D32 HOLE	1	
7	600-2VV	BALL BEARING 6002VVCMP2L	1	
8	939-544	RETAINING RING FOR D15 SHAFT (10 PCS.)	1	
9	317-449	TAPPING SCREW (W/FLANGE) D5X50	2	
10	319-334	GEAR COVER (B)	1	
11	319-336	GEAR	1	
12	316-458	TAPPING SCREW D5X40 (BLACK)	1	
13	319-333	INNER COVER	1	
14	608-DDM	BALL BEARING 608DDC2PS2L	1	
* 15	360-542U	ARMATURE ASS'Y 110V-120V	1	INCLUD.14,19,20
* 15	360-542E	ARMATURE 220V-230V	1	
16	319-329	FAN GUIDE	1	
17	981-421	HEX. HD. TAPPING SCREW D4X55	2	
* 18	340-486C	STATOR 120V	1	
* 18	340-486D	STATOR 110V	1	
* 18	340-504E	STATOR 230V-240V	1	
19	982-631	WASHER (A)	1	
20	608-VVM	BALL BEARING 608VVC2PS2L	1	
21	319-328	HOUSING	1	
22		NAME PLATE	1	
23	319-331	HANDLE (B)	1	
24	303-694	TAPPING SCREW (W/FLANGE) D4X35	2	
25	301-653	TAPPING SCREW (W/FLANGE) D4X20 (BLACK)	1	
26	319-332	GRIP COVER	1	
27	319-337	SCREW (PLASTIC TIE) D4X25	2	
28		HITACHI LABEL	1	
29	319-330	HANDLE (A)	1	
30	955-203	BRUSH HOLDER	2	
* 31	319-638	INTERNAL WIRE (BLUE) 72L	1	FOR USA,CAN
* 31	320-204	CHOKE COIL (BLUE) 110V	1	FOR GBR (110V)
* 31	320-197	CHOKE COIL (BLUE) 220V-240V	1	FOR NZL,EUROPE
32	999-041	CARBON BRUSH (1 PAIR)	2	
* 33	319-637	INTERNAL WIRE (BROWN) 72L	1	FOR USA,CAN
* 33	320-203	CHOKE COIL (BROWN) 110V	1	FOR GBR (110V)
* 33	320-196	CHOKE COIL (BROWN) 220V-240V	1	FOR NZL,EUROPE
34	316-166	PUSHING BUTTON	1	
* 35	319-339	SWITCH (1P SCREW TYPE) W/LOCK	1	FOR USA,CAN,GBR (110V)
* 35	320-195	SWITCH (1P SCREW TYPE) W/LOCK	1	FOR NZL,EUROPE
36	984-750	TAPPING SCREW (W/FLANGE) D4X16	2	
37	937-631	CORD CLIP	1	
38	981-373	TUBE (D)	2	
39	953-327	CORD ARMOR D8.8	1	
* 40	500-240Z	CORD	1	(CORD ARMOR D8.8) FOR USA,CAN
* 40	500-439Z	CORD	1	(CORD ARMOR D8.8) FOR NZL
* 40	500-461Z	CORD	1	(CORD ARMOR D8.8) FOR GBR (110V)

STANDARD ACCESSORIES

D 10VF

ITEM NO.	CODE NO.	DESCRIPTION	NO. USED	REMARKS	
501	319-543	CASE	1		

OPTIONAL ACCESSORIES

ITEM NO.	CODE NO.	DESCRIPTION	NO. USED	REMARKS	
601	981-205	SIDE HANDLE FOR M10	1		
602	317-676	HOOK (A)	1		