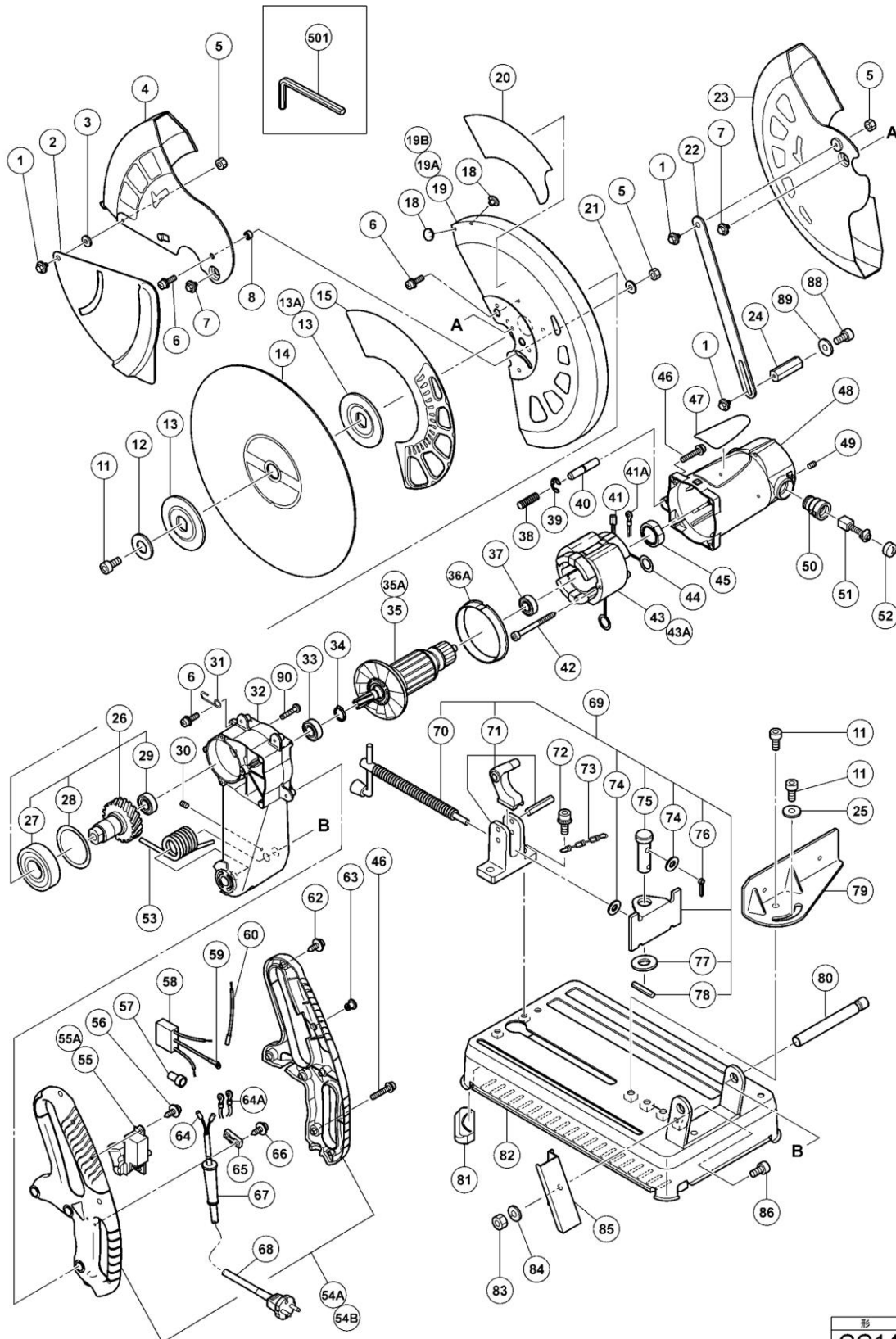


ELECTRIC TOOL PARTS LIST

■ CUT-OFF MACHINE
Model CC14SF / SFS

2013 • 06 • 17
(E2)



PARTS

CC14SF / SFS

ITEM NO.	CODE NO.	DESCRIPTION	NO. USED	REMARKS
*1	325133	BOLT (B) (W/FLANGE)	1	FOR EUROPE.AUT.FIN.DEN.SWE.NOR.GBR.SUI.
*2	325132	SUB COVER (B)	1	FOR EUROPE.AUT.FIN.DEN.SWE.NOR.GBR.SUI.
*3	949433	BOLT WASHER M8 (10 PCS.)	1	FOR EUROPE.AUT.FIN.DEN.SWE.NOR.GBR.SUI.
*4	325129	SUB COVER (A)	1	FOR USA.CAN.MEX.VEN.SYR.INA.IND.KUW.HKG.
*5	949566	LOCK NUT M5 (10 PCS.)	1	FOR USA.CAN.MEX.VEN.SYR.INA.IND.KUW.SAF.
*6	307294	MACHINE SCREW (W/WASHERS) M5X16 (BLACK)	2	
7	325130	BOLT (A) (W/FLANGE)	1	
8	325131	COVER SPACER	1	EXCEPT FOR SAF
11	949844	HEX. SOCKET HD. BOLT M10X20 (10 PCS.)	3	
12	965724	WASHER (A)	1	
*13	325117	WHEEL WASHER (A)	2	
14		CUT-OFF WHEEL 355MM	1	
15	325120	DESIGN COVER	1	FOR SAF
18	325127	COVER BUSH	2	
19	325105	WHEEL COVER (A)	1	
20		HITACHI LABEL (A)	1	FOR USA.CAN.VEN.SYR.INA.IND.KUW.CHN.HKG.
21	949431	BOLT WASHER M5 (10 PCS.)	1	EXCEPT FOR SAF
22	325136	LINK	1	FOR SAF
23	325134	SUB COVER (C)	1	FOR SAF
24	325135	SUPPORT	1	FOR SAF
25	949434	BOLT WASHER M10 (10 PCS.)	2	
26	325103	SPINDLE ASS'Y	1	INCLUD.27-29
27	6306VV	BALL BEARING 6306VVCMP2L	1	
28	325017	STOPPER PIN (B)	1	
29	6002VV	BALL BEARING 6002VVCMP2L	1	
30	318044	SEAL LOCK HEX. SOCKET SET SCREW M5X16	1	
31	321234	CHAIN HOOK	1	
32	325113	GEAR CASE	1	
33	6002VV	BALL BEARING 6002VVCMP2L	1	
34	939544	RETAINING RING FOR D15 SHAFT (10 PCS.)	1	
*35	360732G	ARMATURE ASS'Y (S) 120V	1	INCLUD.33.34.36A.37.90 FOR USA (S)
*35A	360732U	ARMATURE ASS'Y 120V	1	INCLUD.33.34.36A.37.90
36A	326156	FAN GUIDE (M)	1	
37	6000VV	BALL BEARING 6000VVCMP2L	1	
38	948363	GAUGE SPRING	1	
39	955479	RETAINING RING (E-TYPE) FOR D6 SHAFT	1	
40	321239	STOPPER PIN	1	
41	981373	TUBE (D)	2	FOR SAF.USA.CAN.AUS.NZL.TPE.KOR
42	984271	HEX. HD. TAPPING SCREW D5X75	2	
*43	340643D	STATOR ASS'Y 120V-127V	1	INCLUD.41.44
*43	340643N	STATOR ASS'Y (S) 120V	1	INCLUD.41A.44 FOR USA (S)
44	998744	BRUSH TERMINAL	2	
45	325116	BEARING BUSHING	1	
46	312298	MACHINE SCREW (W/WASHERS) M5X35	7	
47		NAME PLATE	1	
48	325125	HOUSING ASS'Y	1	INCLUD.45.49.50
49	938477	HEX. SOCKET SET SCREW M5X8	2	
50	980487	BRUSH HOLDER	2	
51	999044	CARBON BRUSH (1 PAIR)	2	
52	940540	BRUSH CAP	2	
*53	321422	SPRING	1	
*54	333827	HANDLE AND HANDLE COVER SET	1	FOR USA (S)
54A	325123	HANDLE AND HANDLE COVER SET, DEplete	1	THEN USE, 331668
*55	951894	SWITCH (2P PILLAR TYPE) W/LOCK	1	FOR USA.CAN.MEX
*55	333828	SWITCH (2P PILLAR TYPE) W/LOCK	1	FOR USA (S)
56	305720	TAPPING SCREW (W/FLANGE) D4X12	1	
*57	959141	CONNECTOR 50092 (10 PCS.)	2	FOR EUROPE.AUT.FIN.DEN.SWE.NOR.GBR.SUI.
*58	994273	NOISE SUPPRESSOR	1	FOR EUROPE.AUT.FIN.DEN.SWE.NOR. (230V)

Parts

CC14SF / SFS

ITEM NO.	CODE NO.	DESCRIPTION	NO. USED	REMARKS
*59	938108	TERMINAL	1	FOR EUROPE.AUT.FIN.DEN.SWE.NOR. (230V)
*60	321423	INTERNAL WIRE	2	FOR EUROPE.AUT.FIN.DEN.SWE.NOR.GBR.SUI.
*58	994273	NOISE SUPPRESSOR	1	FOR EUROPE.AUT.FIN.DEN.SWE.NOR. (230V)
*59	938108	TERMINAL	1	FOR EUROPE.AUT.FIN.DEN.SWE.NOR. (230V)
*60	321423	INTERNAL WIRE	2	FOR EUROPE.AUT.FIN.DEN.SWE.NOR.GBR.SUI.
62	301653	TAPPING SCREW (W/FLANGE) D4X20 (BLACK)	3	
63	951895	LOCK-OFF BUTTON	1	FOR USA.CAN
64	981373	TUBE (D)	2	FOR CORD (FOR SAF.USSA.CAN.AUS.NZL.TPE.)
64A	930804	TERMINAL M4.0 (10 PCS.)	2	FOR CORD SINCE 11.2010 FOR UAE.VEN.SIN.
65	937631	CORD CLIP	1	
66	984750	TAPPING SCREW (W/FLANGE) D4X16	2	
*67	953327	CORD ARMOR D8.8	1	
*67	938051	CORD ARMOR D10.1	1	
*68	500453Z	CORD	1	(CORD ARMOR D10.1) FOR USA.CAN.MEX
69	325101	WISE ASS'Y	1	INCLUD.70.71.74-78
*69	333829	WISE ASS'Y	1	INCLUD.70.71.74.78 FOR USA (S)
70	321226	SCREW	1	
*70	333830	SCREW	1	FOR USA (S)
71	325102	SCREW HOLDER	1	
72	307357	HEX. SOCKET HD. BOLT (W/WASHERS) M8X25	2	
73	968520	CHAIN (6 LINK)	1	
*73	333831	CHAIN	1	FOR USA (S)
74	949433	BOLT WASHER M8 (10 PCS.)	2	
75	321229	BOLT	1	
76	949537	SPLIT PIN D3X15 (10 PCS.)	1	
77	321232	WASHER M16	1	
78	949681	ROLL PIN D5X25 (10 PCS.)	1	
79	325100	WISE (B)	1	
80	321237	HINGE SHAFT	1	
81	321223	BASE RUBBER	4	
*82	325109	BASE	1	USA
*82	333832	BASE (S)	1	FOR USA (S)
83	949568	LOCK NUT M8 (10 PCS.)	1	
84	949457	SPRING WASHER M8 (10 PCS.)	1	
85	325108	SPARK CHUTE	1	
86	949656	HEX. SOCKET HD. BOLT M8X20 (10 PCS.)	1	
88	949844	HEX. SOCKET HD. BOLT M10X20 (10 PCS.)	1	FOR SAF
89	949434	BOLT WASHER M10 (10 PCS.)	1	FOR SAF
90	326157	TRUSS HD. SCREW M5X12	2	

