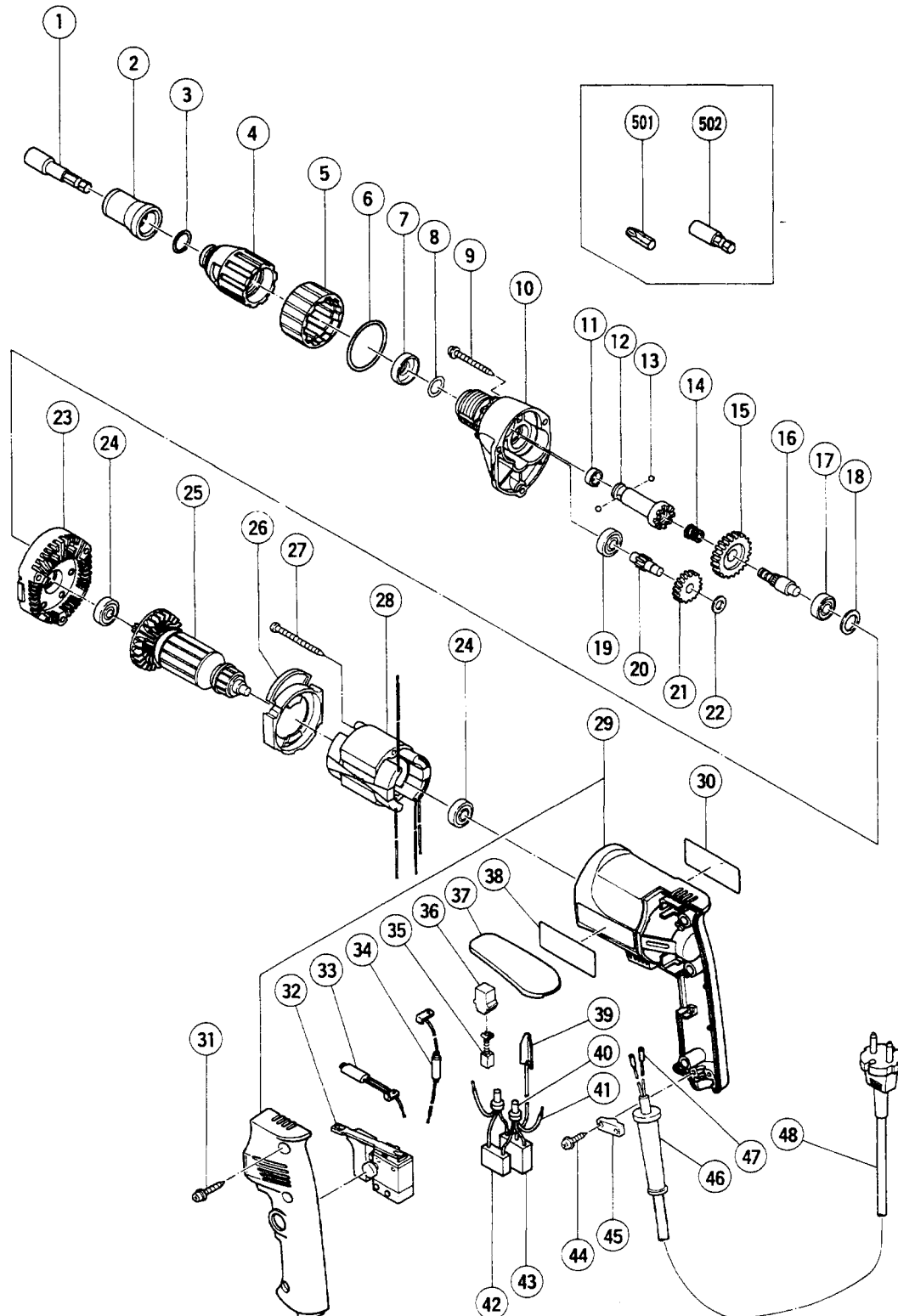


ELECTRIC TOOL PARTS LIST

■ SCREW DRIVER
Model W 8VB

1999·2·25
(E1)



PARTS

W 8VB

ITEM NO.	CODE NO.	DESCRIPTION	NO. USED	REMARKS
* 1	985-321	MAGNETIC HEX. SOCKET 10MMX65L	1	FOR HOL,FIN,ESP,CHN
* 1	985-322	MAGNETIC HEX. SOCKET 5/16"X65L	1	FOR AUS,NOR,USA
* 2	317-670	SUB STOPPER (B) FOR H3/8,H10 HEX. SOCKET	1	FOR HOL,FIN,ESP,CHN
* 2	317-671	SUB STOPPER (B) FOR H5/16 HEX. SOCKET	1	FOR AUS,NOR,USA
* 2	317-672	SUB STOPPER (A) FOR BIT HOLDER (41L)	1	FOR FRG,FRA,HOL
* 2	317-673	SUB STOPPER (C) FOR BIT HOLDER (75L)	1	FOR FRG
* 2	317-899	SUB STOPPER (D) FOR HEX. SOCKET	1	FOR FRA
3	876-031	O-RING (S-16)	1	
4	317-666	LOCATOR (A)	1	
5	317-665	LOCK SLEEVE (A)	1	
6	873-731	O-RING (S-28)	1	
7	971-468	FRINGER (A)	1	
8	317-662	O-RING (F)	1	
9	306-664	TAPPING SCREW (W/FLANGE) D4X40	3	
10	317-661	GEAR COVER ASS'Y	1	INCLUD.8,19
11	872-573	SET RING	1	
12	317-664	SOCKET (B) ASS'Y	1	INCLUD.11,13
13	959-148	STEEL BALL D3.175 (10 PCS.)	2	
14	306-024	SPRING	1	
15	307-339	GEAR ASS'Y	1	INCLUD.16
16	307-340	GEAR SHAFT	1	
17	608-VVM	BALL BEARING 608VVMC2EPS2L	1	
18	987-641	WASHER (A)	1	
19	608-VVM	BALL BEARING 608VVMC2EPS2L	1	
20	317-887	SECOND PINION ASS'Y	1	INCLUD.21
21	317-772	FIRST GEAR	1	
22	317-663	WASHER	1	
23	317-660	INNER COVER ASS'Y	1	INCLUD.17,18
24	608-VVM	BALL BEARING 608VVMC2EPS2L	2	
* 25	360-492U	ARMATURE ASS'Y 115V	1	INCLUD.24
* 25	360-492E	ARMATURE 220V-230V	1	
* 25	360-492F	ARMATURE 240V	1	
26	305-398	FAN GUIDE (B)	1	
27	950-515	TAPPING SCREW D4X50	2	
* 28	340-436C	STATOR 110V-115V	1	
* 28	340-436E	STATOR 220V-230V	1	
* 28	340-224F	STATOR 240V	1	
29	317-659	HOUSING.HANDLE COVER SET	1	
30		NAME PLATE	1	
31	302-086	TAPPING SCREW (W/FLANGE) D4X20 (BLACK)	3	
* 32	314-916	SPEED CONTROL SWITCH (2P) 100V-115V	1	FOR USA
* 32	314-921	SPEED CONTROL SWITCH (2P) 220V-240V	1	
* 33	317-668	INTERNAL WIRE (A)	1	EXCEPT FOR USA
* 33	314-917	INTERNAL WIRE (B) (BLUE)	1	FOR USA
* 34	317-669	INTERNAL WIRE (B)	1	EXCEPT FOR USA
* 34	314-918	INTERNAL WIRE (B) (BROWN)	1	FOR USA
35	999-041	CARBON BRUSH (1 PAIR)	2	
36	955-203	BRUSH HOLDER	2	
37	317-676	HOOK (A)	1	
38		HITACHI LABEL	1	
* 39	992-635	EARTH TERMINAL	1	FOR NOISE SUPPRESSOR

* : ALTERNATIVE PARTS

2 - 99

