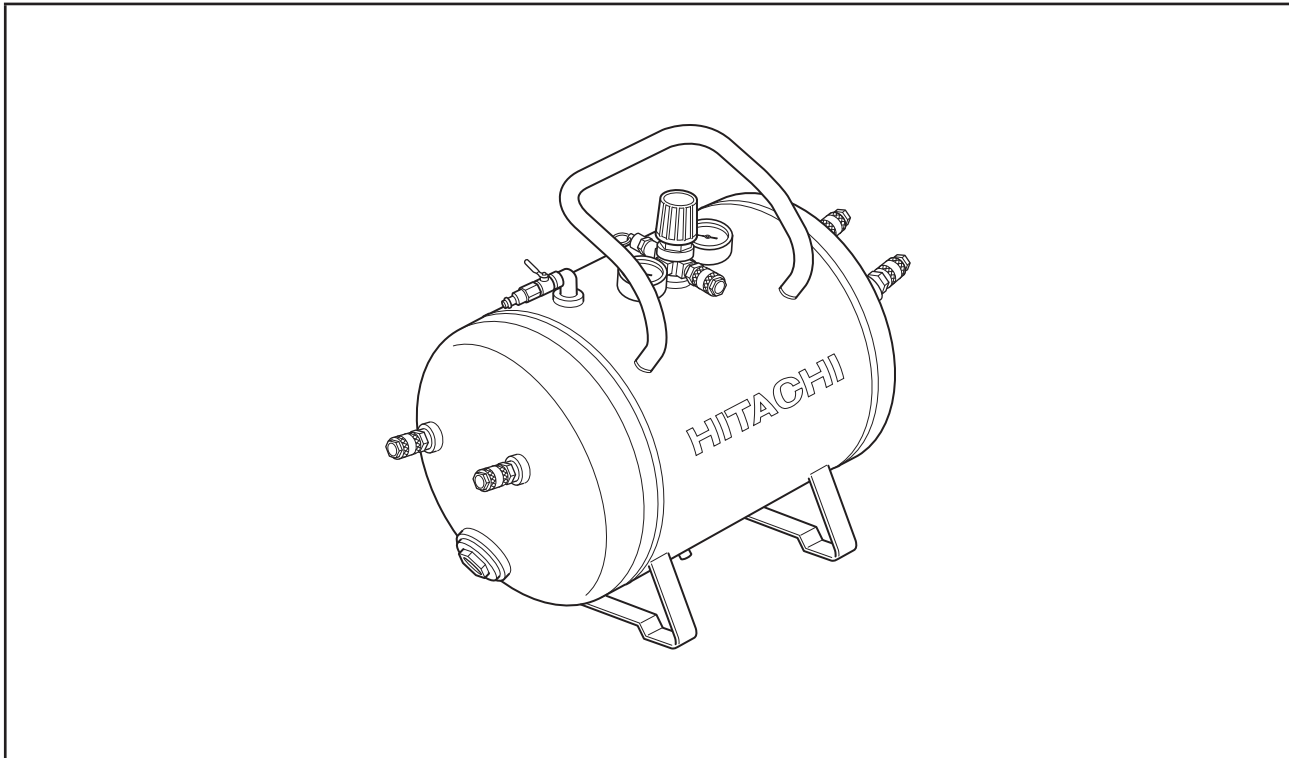


HITACHI

INSTRUCTION MANUAL AND SAFETY INSTRUCTIONS FOR AIR TANK MANUAL DE INSTRUCCIONES Y INSTRUCCIONES DE SEGURIDAD PARA EL TANQUE DE AIRE

MODEL
MODELO

UA 3810AB



⚠ WARNING

Improper and unsafe use of this air tank can result in death or serious bodily injury!
This manual contains important information about product safety.
Please read and understand this manual before operating the air tank.
Please keep this manual available for others before they use the air tank.

⚠ ADVERTENCIA

¡La utilización inadecuada e insegura de este tanque de aire puede resultar en la muerte o en lesiones serias!
Este manual contiene información importante sobre la seguridad del producto.
Antes de utilizar el tanque de aire, lea y entienda bien este manual.
Guarde este manual as mano para que otras personas puedan leerlo antes de utilizar el tanque de aire.

Hitachi Koki

English	- CONTENTS -	Page
IMPORTANT INFORMATION		3
MEANINGS OF SIGNAL WORDS		3
SAFETY		
IMPORTANT SAFETY INSTRUCTIONS FOR USE OF THE AIR TANK		4
REPLACEMENT PARTS		5
OPERATION AND MAINTENANCE		
NAME OF PARTS		6
SPECIFICATIONS		6
ASSEMBLY		7
PRIOR TO OPERATION		8
TRANSPORT		8
OPERATION		8
MAINTENANCE		9
SERVICE AND REPAIRS		9
PARTS LIST		17

Español	- ÍNDICE -	Página
INFORMACIÓN IMPORTANTE		10
SIGNIFICADO DE LAS PALABRAS DE SEÑALIZACIÓN		10
SEGURIDAD		
INSTRUCCIONES DE SEGURIDAD IMPORTANTES PARA LA UTILIZACIÓN DEL TANQUE DE AIRE		11
PIEZAS DE REEMPLAZO		12
OPERACIÓN Y MANTENIMIENTO		
NOMENCLATURA		13
ESPECIFICACIONES		13
ENSAMBLAJE		14
ANTES DE LA OPERACIÓN		15
TRANSPORTE		15
OPERACIÓN		15
MANTENIMIENTO		16
SERVICIO Y REPARACIONES		16
LISTA DE PIEZAS		17

IMPORTANT INFORMATION

Read and understand all of the operating instructions, safety precautions and warnings in the Instruction Manual before operating or maintaining this air tank.

Most accidents that result from air tank operation and maintenance are caused by the failure to observe basic safety rules or precautions. An accident can often be avoided by recognizing a potentially hazardous situation before it occurs, and by observing appropriate safety procedures.

Basic safety precautions are outlined in the "SAFETY" section of this Instruction Manual and in the sections which contain the operation and maintenance instructions.

Hazards that must be avoided to prevent bodily injury or machine damage are identified by WARNINGS on the air tank and in this Instruction Manual.

Never use this air tank in a manner that has not been specifically recommended by HITACHI, unless you first confirm that the planned use will be safe for you and others.

MEANINGS OF SIGNAL WORDS

- | | |
|----------------|--|
| WARNING | indicates a potentially hazardous situations which, if ignored, could result in death or serious personal injury. |
| CAUTION | indicates a potentially hazardous situations which, if not avoided, may result in minor or moderate injury, or may cause machine damage. |
| NOTE | emphasizes essential information. |

FOR SALE AND USE IN THE USA ONLY
ASME CERTIFIED TANK (CANADIAN TSSA UNCERTIFIED)

SAFETY

IMPORTANT SAFETY INSTRUCTIONS FOR USE OF THE AIR TANK

⚠ WARNING: Death or serious bodily injury could result from improper or unsafe use of air tank. To avoid these risks, follow these basic safety instructions:

READ ALL INSTRUCTIONS

1. **ALWAYS WEAR PROTECTION.**
Risk of injury. Always wear ANSI Z87.1 safety glasses with side shields or equivalent eye protection. Compressed air must never be aimed at anyone or any part of the body. Use ear protection as air flow noise is loud when draining.
2. **DRAIN TANK PRESSURE.**
Always drain tank pressure completely before servicing, inspecting, maintaining, cleaning, replacing or checking any parts.
3. **STORE AIR TANK PROPERLY.**
When not in use, the air tank should be stored in indoor dry place. Keep out of reach of children. Lock-out the storage area.
4. **KEEP WORK AREA CLEAN.**
Cluttered areas invite injuries. Clear all work areas of unnecessary tools, debris, furniture, etc.
5. **CONSIDER WORK AREA ENVIRONMENT.**
Keep work area well lit and well ventilated.
Don't expose air tank to rain.
Never place objects against or on top of air tank.
Always operate the air tank in a stable and secure position to prevent accidental movement of the unit. Never operate the air tank on a roof or other elevated position. Never use on a ladder or unstable support. Use an additional air hose to reach high locations.
6. **KEEP CHILDREN AWAY.**
Do not let visitors contact air tank.
All visitors should be kept safely away from work area.
7. **STAY ALERT.**
Watch what you are doing. Use common sense. Never stand, sit or place objects on top of the tank or handle. Do not allow the air tank to operate unattended. Do not operate air tank when you are tired. Air tank should never be used by you if you are under the influence of alcohol, drugs or medication that makes you drowsy.
8. **CHECK DAMAGED PARTS AND AIR LEAK.**
Never attempt to fill the tank if an air leak is detected in the tank body or if the tank is physically damaged in any way. If the tank has changed shape in any way, discontinue use immediately.
9. **DO NOT USE TANK FOR THE STORAGE OF COMPRESSED GASES OTHER THAN AIR.**
10. **THIS TANK IS NOT DESIGNED TO BE USED AS A PORTABLE BREATHING DEVICE OR TO DISPERSE ANY TYPES OF LIQUIDS OR SOLIDS.**
Other uses similar to these could result in serious injury or death.
11. **HANDLE AIR TANK CORRECTLY.**
Operate the air tank according to the instructions provided herein. Never allow the air tank to be operated by children, individuals unfamiliar with its operation or unauthorized personnel.
12. **DO NOT OVER PRESSURIZE THE TANK.**
This tank is rated for a maximum allowable working pressure of 175 PSI.
Exceeding the rated pressure, even once, can overstress the material in such a manner that subsequent pressurization of the tank, even below the rated pressure, could cause the tank to violent rupture, resulting in property damage, personal injury, and even death of the user and others nearby.
13. **DO NOT WIPE PLASTIC PARTS WITH SOLVENT.**
Solvents such as gasoline, thinner, benzene, carbon tetrachloride, and alcohol may damage and crack plastic parts. Do not wipe them with such solvents.
Wipe plastic parts with a soft cloth lightly dampened with soapy water and dry thoroughly.
14. **USE ONLY GENUINE HITACHI REPLACEMENT PARTS.**
Replacement parts not manufactured by Hitachi may void your warranty and can lead to malfunction and resulting injuries. Genuine Hitachi parts are available from your dealer.
15. **DO NOT MODIFY OR ATTEMPT TO ALTER THE DESIGN OF THIS TANK.**
Do not drill into, weld, patch or modify the air tanks. Do not make adjustments to the components that control tank pressure. Do not make alterations to the factory operating pressure settings. Always contact the Hitachi authorized service center for any repairs. Unauthorized modification may not only impair the air tank performance but may also result in accidents or injury to repair personnel who do not have the required knowledge and technical expertise to perform the repair operations correctly.
16. **DO NOT DIRECT AIR STREAM AT BODY.**
Risk of injury. Do not direct air stream at persons or animals.

17. DRAIN TANK.

Risk of bursting. Drain condensation from tank after each use and keep drain cock closed when not in use. Failure to remove condensation will cause the tank to rust prematurely and increases the risk of explosion.

Keep face and the other body parts away from outlet of drain.

Use ANSI Z87.1 safety glasses with side shields when draining as debris can be kicked up into face.

18. MAKE SURE THE AIR TANK OUTLET PRESSURE IS SET LOWER THAN THE MAXIMUM OPERATING PRESSURE OF THE TOOL.

Too much air pressure causes a hazardous risk of bursting.

Check the manufacturer's maximum pressure rating for air tools and accessories. The air tank outlet pressure must never exceed the maximum pressure rating.

19. THE SAFETY VALVE MUST WORK PROPERLY.

Risk of bursting. Before using this tank, pull the ring on the safety valve to make sure that the safety valve operates smoothly. If the safety valve does not work properly, over-pressurization may occur, causing air tank rupture or an explosion. Do not use air tank if the safety valve is stuck or does not operate smoothly. Have defective safety valve replaced by a Hitachi authorized service center.

20. DO NOT USE TANK AFTER THE REPLACEMENT DATE THAT IS NOTED ON THE TANK.

If the replacement date sticker is missing or illegible, discontinue use immediately. Discard or destroy tank on or before replacement date.

21. USE OF THIS PRODUCT WILL EXPOSE YOU TO CHEMICALS KNOWN TO THE STATE OF CALIFORNIA.

Some dust created by this product contains chemicals known to State of California to cause cancer, birth defects or other reproductive harm. Some examples of these chemicals are:

- compounds in fertilizers
- compounds in insecticides, herbicides and pesticides
- arsenic and chromium from chemically treated lumber

To reduce your exposure to these chemicals, wear approved safety equipment such as dust masks that are specially designed to filter out microscopic particles. Use of this product will expose you to chemicals known to the State of California to cause cancer, birth defects and other reproductive harm. Avoid inhaling vapors and dust, and wash hands after using. This product contains chemicals, including lead, known to the State of California to cause cancer, and birth defects or other reproductive harm. Wash hands after handling.

REPLACEMENT PARTS

When servicing use only identical replacement parts.

Repairs should be conducted only by a Hitachi authorized service center.

**SAVE THESE INSTRUCTIONS
AND
MAKE THEM AVAILABLE TO
OTHER USERS OF THIS TOOL!**

OPERATION AND MAINTENANCE

NOTE:

The information contained in this Instruction Manual is designed to assist you in the safe operation and maintenance of the air tank.

Some illustrations in this Instruction Manual may show details or attachments that differ from those on your own air tank.

NAME OF PARTS

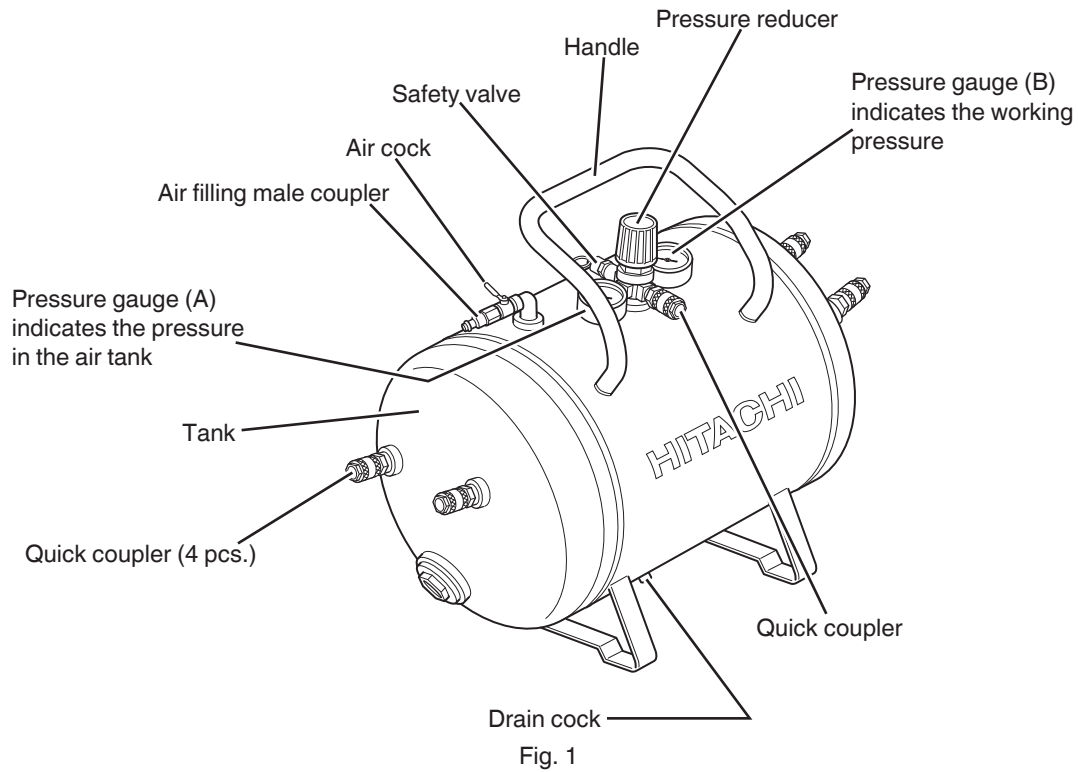


Fig. 1

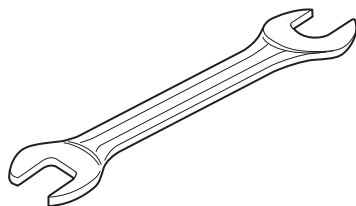
SPECIFICATIONS

Model	UA 3810AB
Tank Capacity	10 gal. (37.85 ltr)
Maximum Allowable Working pressure	175 PSI (12.1 bar)
Safety valve	150 PSI (10.3 bar)

ASSEMBLY

1. Tools needed

The following tool is needed to tighten the thread ends of the quick couplers to the air outlet ports on the air tank.



OPEN-END WRENCH (not included)

2. Unpacking

This product has NOT been shipped completely assembled.

Carefully remove the tank from the box. Make sure that all items listed in the packing list are included.

Inspect the tank carefully to make sure no breakage or damage occurred during shipping.

Do not discard the packing material until you have carefully inspected and satisfactorily operated the tool.

Packing list

Tank (1)

Quick couplers (4)

Instruction Manual (1)

⚠ WARNING: If any parts are missing, do not operate the air tank until the missing parts are replaced. Failure to do so could result in possible serious personal injury.

⚠ WARNING: Do not attempt to modify this tool or create accessories not recommended for use with this tool. Any such alteration or modification is misuse and could result in hazardous condition leading to possible serious personal injury.

3. Attaching quick couplers

See Figure 2 - 4.

Use Teflon® tape or thread sealant to secure external fittings.

Be sure the tank has been completely drained.

The quick couplers should be already provided with thread sealing tape.

If this is not true, apply thread sealing tape to every threaded ends of the quick couplers (to secure the fittings).

Remove the shipping plug with pliers or screwdriver (or similar) (Fig. 2)

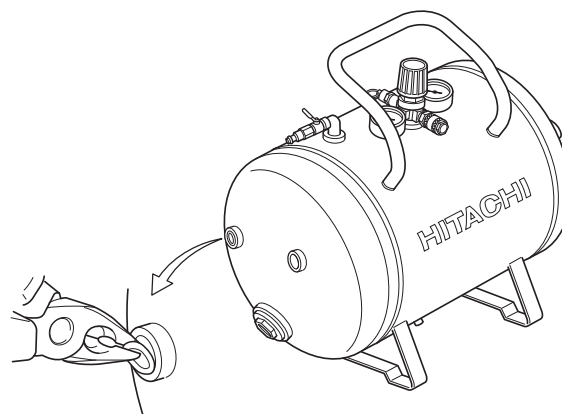


Fig. 2

Insert thread end of quick coupler into open end of air outlet fitting on tank. Use open-end wrench to tighten securely (Fig. 3)

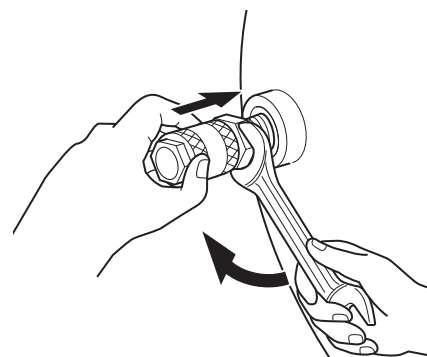


Fig. 3

⚠ CAUTION: Fix fittings securely. Do not over-tighten.

⚠ CAUTION: Ensure all four quick couplers to be well and securely assembled (Fig. 4) before using your storage tank.

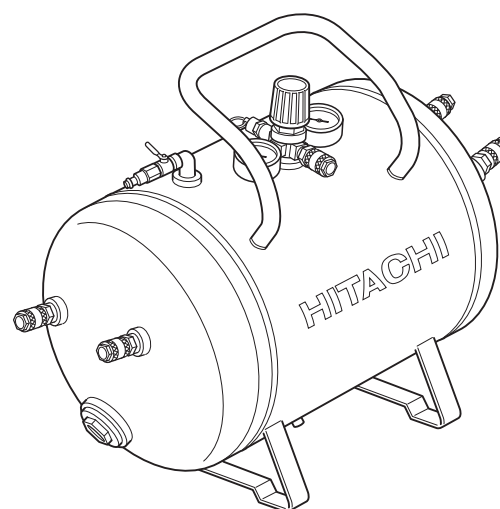


Fig. 4

PRIOR TO OPERATION

- To check the safety valve.
Before using this tank, pull the ring on the safety valve to make sure that the safety valve operates smoothly. (Fig. 5)
Do not use air tank if the safety valve is stuck or does not operate smoothly. Have defective safety valve replaced by a Hitachi authorized service center.

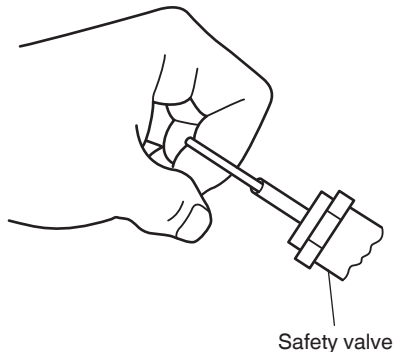


Fig. 5

- ⚠ WARNING: Risk of bursting.**
If the safety valve does not work properly, over-pressurization may occur, causing air tank rupture or an explosion.

- Right position for using
Always use the air tank in a stable and secure position to prevent accidental movement of the unit. Never use the air tank on a roof or other elevated position. Never use on a ladder or unstable support. Use an additional air hose to reach high locations.

- ⚠ WARNING: An air tank can fall from a table, workbench, or roof causing damage to the air tank and could result in serious injury or death to the operator.**

- Temperature
Operating temperatures are between 32°F and 104°F (0°C and 40°C).

- ⚠ CAUTION: Never operate in temperatures below 32°F (0°C) or above 104°F (40°C).**

TRANSPORT

Drain tank pressure completely before transport the air tank. Transport the air tank in the correct manner.

When transporting the air tank, grasp the handle.

- ⚠ WARNING: Risk of unsafe operation. Ensure proper footing and use caution when carrying air tank to avoid a loss of balance.**

OPERATION

- ⚠ WARNING: Do not use tank for the storage of compressed gases other than air. If the tank has changed shape in any way, discontinue use immediately.**

- ⚠ CAUTION: Replace fittings if leaking or physically damaged in any way.**

- ⚠ CAUTION: Always drain tank pressure completely before attempting to remove or replace any of the fittings.**

- Connecting
 - Close the air cock. (Fig. 6)
 - Connect the compressor by connecting the air hose to the air filling male coupler of the tank.
 - Connect to the application by connecting the air hose to the tank's quick couplers.
 - Slowly open the air cock.

- ⚠ WARNING: Do not use an air hose with a maximum working pressure of 175 PSI or below.**

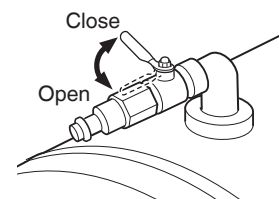


Fig. 6

- Adjustment of outlet pressure
Adjust the outlet pressure to the required level by turning the knob of the pressure reducer clockwise to increase the outlet pressure and counterclockwise to decrease it. A pressure gauge (B) is provided to show when the required pressure is reached.
When adjusting the pressure, check and make sure that a pressure gauge (A) for the tank has the pressure level that is higher than that of the pressure to be adjusted.
It is also imperative that you make adjustment by slowly starting up the pressure from the level that is lower than the pressure to be adjusted.

- ⚠ WARNING: Check the manufacturer's maximum pressure rating for nailers, staplers and accessories. Air tank outlet pressure must be regulated so as to never exceed the maximum pressure rating of the nailers, staplers and accessories.**

- Disconnecting
 - Close the air cock.
 - Slowly open the drain cock and completely release tank pressure.
 - Disconnect the air hose from the air filling male coupler and quick couplers.
 - Close the drain cock.

⚠ WARNING: Risk of unsafe operation. Firmly grasp air hose in hand when installing or disconnecting to prevent hose whip.

⚠ WARNING: Risk of bursting. When the tank gets corroded, there is a risk of breakdown. Water will condense in the air tank. If not drained, water will corrode and weaken the air tank causing a risk of air tank rupture. Drain tank daily or after use. The drain contains moisture in the air, abrasion particles, rust, etc.. To drain tank open valve slowly and tilt air tank to empty accumulated water. Keep face and eyes away from drain cock.

⚠ CAUTION: Do not open the air cock if the air tank and compressor are not connected. Use the drain cock when discharging the compressed air from the tank.

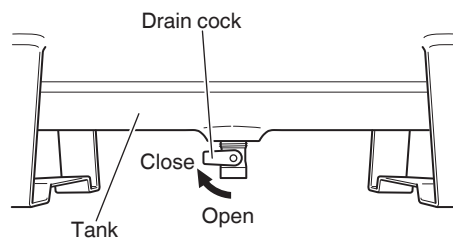


Fig. 7

MAINTENANCE

1. Draining tank
Drain tank daily or after use. Open drain cock and tilt air tank to empty accumulated water (Refer to Fig. 7).

SERVICE AND REPAIRS

All quality air tanks will eventually require servicing or replacement of parts because of wear and tear from normal use. To assure that only genuine replacement parts will be used, all service and repairs must be performed by a HITACHI AUTHORIZED SERVICE CENTER, only.

NOTE: Specifications are subject to change without any obligation on the part of the HITACHI.

INFORMACIÓN IMPORTANTE

Antes de utilizar o realizar el servicio de mantenimiento de este tanque de aire, lea y entienda todas las instrucciones de operación, las precauciones de seguridad y las advertencias del Manual de Instrucciones.

La mayoría de los accidentes que resultan de la operación y el mantenimiento del tanque de aire, se deben a la falta de observación de estas reglas y precauciones básicas de seguridad. Los accidentes podrán evitarse reconociendo una situación potencialmente peligrosa antes de que ocurra, y observando los procedimientos de seguridad apropiados.

Las precauciones básicas de seguridad se describen en la sección "SEGURIDAD" de este Manual de Instrucciones, y en las secciones que contienen las instrucciones sobre la operación y el mantenimiento.

Los peligros que se deben de evitar para prevenir lesiones físicas o daños a la máquina se identifican por medio de ADVERTENCIAS en el tanque de aire y en el Manual de Instrucciones.

Nunca utilice este tanque de aire de forma no recomendada específicamente por HITACHI, a menos que primeramente confirme que el plan de uso sea sin peligro para usted y otros.

SIGNIFICADO DE LAS PALABRAS DE SEÑALIZACIÓN

ADVERTENCIA indica situaciones potencialmente peligrosas que, si son ignoradas, podrían resultar en la muerte o en lesiones personales graves.

PRECAUCIÓN indica una situación potencialmente peligrosa que, si no se evita, puede resultar en lesiones menores, o en el daño de la máquina.

NOTA enfatiza información esencial.

**PARA VENTA Y USO SOLO EN LOS EE. UU.
TANQUE CON CERTIFICACIÓN ASME
(SIN LA CERTIFICACIÓN TSSA CANADIENSE)**

SEGURIDAD

INSTRUCCIONES DE SEGURIDAD IMPORTANTES PARA LA UTILIZACIÓN DEL TANQUE DE AIRE

⚠️ ADVERTENCIA: La utilización inapropiada o el manejo inseguro de este tanque de aire, puede resultar en muerte o en lesiones físicas serias. Para evitar estos riesgos, siga estas instrucciones básicas de seguridad:

LEA TODAS LAS INSTRUCCIONES

1. **USAR SIEMPRE EQUIPOS DE PROTECCIÓN INDIVIDUAL.**
Riesgo de lesiones. Usar siempre gafas protectoras conformes a la norma ANSI Z87.1, con protección lateral o protección ocular equivalente. No dirigir nunca el aire comprimido hacia personas o partes del cuerpo. Usar adecuadas protecciones del oído a causa del intenso ruido del flujo de aire durante el drenaje.
2. **DRENE LA PRESIÓN DEL TANQUE.**
Siempre drene la presión del tanque completamente antes de reparar, inspeccionar, mantener, limpiar, reemplazar o verificar cualquier parte.
3. **ALMACENAR EL TANQUE DE AIRE APROPIADAMENTE.**
Cuando no esté siendo usado, el tanque de aire debe ser almacenado en un lugar interior seco. Manténgalo fuera del alcance de los niños. Cierre el lugar de almacenamiento.
4. **MANTENGA EL ÁREA DE TRABAJO LIMPIO.**
Da lugar a ser lesionado en áreas conglomeradas. Despejar toda área de trabajo, herramientas no necesarias, despojos, muebles, etc.
5. **CUIDAR LAS CONDICIONES DEL LUGAR DE TRABAJO.**
Mantenga el área de trabajo bien iluminada y ventilada. No exponga el tanque de aire a la lluvia. No colocar nunca objetos contra el tanque de aire o encima del mismo. Asegúrese siempre de operar el tanque de aire en una posición estable y segura, para prevenir el movimiento accidental de la unidad. Nunca opere el tanque de aire en un techo ni en otra posición elevada. No lo utilice nunca en una escalera o un soporte inestable. Utilice una manguera de aire adicional para llegar a ubicaciones altas.
6. **MANTENGA A LOS NIÑOS ALEJADOS.**
No permita que los visitantes entren en contacto con el tanque de aire. Los espectadores deberán mantenerse a distancia prudencial del área de trabajo.
7. **PRESTAR ATENCIÓN SIEMPRE.**
Prestar atención al efectuar todas las maniobras. Nunca se ponga de pie, se siente ni coloque objetos sobre el tanque o el mango. No permita que el tanque de aire opere desatendido. No ponerse de pie sobre el tanque de aire. No usar el tanque de aire cuando se está cansado. No usar nunca el tanque de aire bajo el efecto de alcohol, drogas o fármacos que causen somnolencia.
8. **COMPRUEBE SI HAY PIEZAS DAÑADAS O FUGAS DE AIRE.**
Nunca intente llenar el tanque si se detecta una fuga de aire en el cuerpo del tanque o si tiene algún tipo de daño físico. Si el tanque presenta cambios de forma de cualquier tipo, deje de usarlo inmediatamente.
9. **NO UTILICE EL TANQUE PARA EL ALMACENAMIENTO DE GASES COMPRIMIDOS QUE NO SEAN AIRE.**
10. **ESTE TANQUE NO ESTÁ DISEÑADO PARA SER USADO COMO DISPOSITIVO RESPIRATORIO PORTÁTIL NI PARA DISPERSAR NINGÚN TIPO DE LÍQUIDO O SÓLIDO.**
Otros usos similares a estos pueden resultar en lesiones graves o la muerte.
11. **UTILICE CORRECTAMENTE EL TANQUE DE AIRE.**
Utilice el tanque de aire de acuerdo con las instrucciones proveído aquí. Nunca permita que un niño, individuos no familiarizados con su operación, ni personas no autorizadas, usen el tanque de aire.
12. **NO APLIQUE PRESIÓN EXCESIVA AL TANQUE.**
Este tanque está calificado para una presión de trabajo máxima permisible de 175 PSI. Exceder la presión nominal, incluso una sola vez, puede aplicar una tensión excesiva al material de manera que presurizaciones subsiguientes del tanque, incluso por debajo de la presión nominal, pueden causar que el tanque se rompa violentamente, resultando en daños a la propiedad, lesiones personales e incluso la muerte del usuario y de otras personas cercanas.
13. **NO FROTAS LAS PARTES DE PLÁSTICO CON DISOLVENTES.**
Los disolventes, como gasolina, diluidor de pintura, bencina, tetracloruro de carbono, y alcohol pueden dañar y rajar las partes de plástico. No las limpie con tales disolventes. Limpie las partes plástico con un paño suave ligeramente humedecido en agua jabonosa y séquelas bien.

14. UTILICE SOLAMENTE PIEZAS DE REEMPLAZO GENUINAS DE HITACHI.

Las piezas de reemplazo no fabricadas por Hitachi puede anular la garantía, provocar el mal funcionamiento, y resultar en lesiones. Su proveedor dispone de piezas genuinas de Hitachi.

15. NO MODIFIQUE NI INTENTE ALTERAR EL DISEÑO DE ESTE TANQUE.

No taladre, suelde, parchee ni modifique los tanques de aire. No haga ajustes en los componentes que controlan la presión del tanque. No altere las configuraciones de presión operativa de fábrica. Contactar siempre el centro de asistencia autorizado de Hitachi para todas las reparaciones. Una modificación no autorizada puede no sólo afectar las prestaciones del tanque de aire sino también provocar accidentes al personal encargado de las reparaciones que no disponen de los conocimientos y competencias técnicas requeridas para efectuar correctamente las operaciones de reparación.

16. NO DIRIGIR NUNCA EL CHORRO DE AIRE HACIA PARTES DEL CUERPO.

Riesgo de lesiones físicas. No dirija el chorro de aire a personas ni animales.

17. VACIAR EL DEPÓSITO

Riesgo de explosión. Drene la condensación del tanque después de cada uso y mantenga la llave de vaciado cerrada cuando no esté en uso. No remover la condensación causará que el tanque se oxide prematuramente y aumente el riesgo de explosión.

Mantenga la cara y otras partes corporales alejadas de la salida de drenaje.

Utilice gafas de seguridad ANSI Z87.1 con protecciones laterales cuando drene, puesto que la suciedad puede caerle en la cara.

18. VERIFICAR QUE LA PRESIÓN DE SALIDA DEL TANQUE DE AIRE ESTÉ ESTABLECIDA EN UN VALOR INFERIOR A LA PRESIÓN MÁXIMA DE FUNCIONAMIENTO DEL INSTRUMENTO.

Una presión de aire excesiva provoca el peligro de explosión.

Controlar la máxima presión nominal indicada por el fabricante para los instrumentos neumáticos y accesorios. La presión de salida del tanque de aire nunca debe exceder la presión nominal máxima.

19. LA VÁLVULA DE SEGURIDAD DEBERÁ FUNCIONAR CORRECTAMENTE.

Riesgo de explosión. Antes de usar este tanque, tire de la anilla de la válvula de seguridad para asegurarse de que la válvula de seguridad opera con suavidad. Si la válvula de seguridad no se mueve apropiadamente podría ocurrir sobrepresurización y causar una ruptura del tanque de aire o una explosión. No utilice el tanque de aire si la válvula de seguridad está bloqueada o no opera suavemente. Solicite que la válvula de seguridad defectuosa sea reparada a un centro de servicio autorizado Hitachi.

20. NO UTILICE EL TANQUE DESPUÉS DE LA FECHA DE REEMPLAZO ANOTADA EN EL TANQUE.

Si la pegatina de la fecha de reemplazo falta o está ilegible, deje de usarlo inmediatamente. Deshágase o destruya el tanque en la fecha de reemplazo o antes de esta.

21. EL USO DE ESTE PRODUCTO LO EXPONDRÁ A PRODUCTOS QUÍMICOS QUE EN EL ESTADO DE CALIFORNIA

Algunos polvos producidos por este producto contiene n sustancias químicas que, por lo que sabe en el Estado de California, pueden provocar cáncer, defectos congénitos y otros daños reproductivos. Algunos ejemplos de estas sustancias son:

- compuestos de fertilizantes;
- compuestos de insecticidas, herbicidas y pesticidas,
- arsénico y cromo provenientes de madera de construcción tratada químicamente.

Para reducir la exposición a estas sustancias químicas, usar equipos de protección aprobados tales como máscaras antipolvos, especialmente diseñadas para filtrar las partículas microscópicas. El uso de este producto expone a sustancias químicas que, por lo que sabe en el Estado de California, pueden causar cáncer, defectos congénitos y otros daños reproductivos. Evitar inhalar vapores y polvos y lavarse las manos después de usar. Este producto contiene sustancias químicas, tales como plomo, que, por lo que se sabe en el Estado de California, causan cáncer, defectos congénitos y daños reproductivos. Lavarse las manos antes de usar.

PIEZAS DE REEMPLAZO

Para reparación, utilice solamente piezas de reemplazo idénticas.
Las reparaciones deberán realizarse solamente por un centro de servicio autorizado por Hitachi.

**¡GUARDE ESTAS INSTRUCCIONES
Y
PÓNGALAS A DISPOSICIÓN DE OTROS USUARIOS DE
ESTA HERRAMIENTA!**

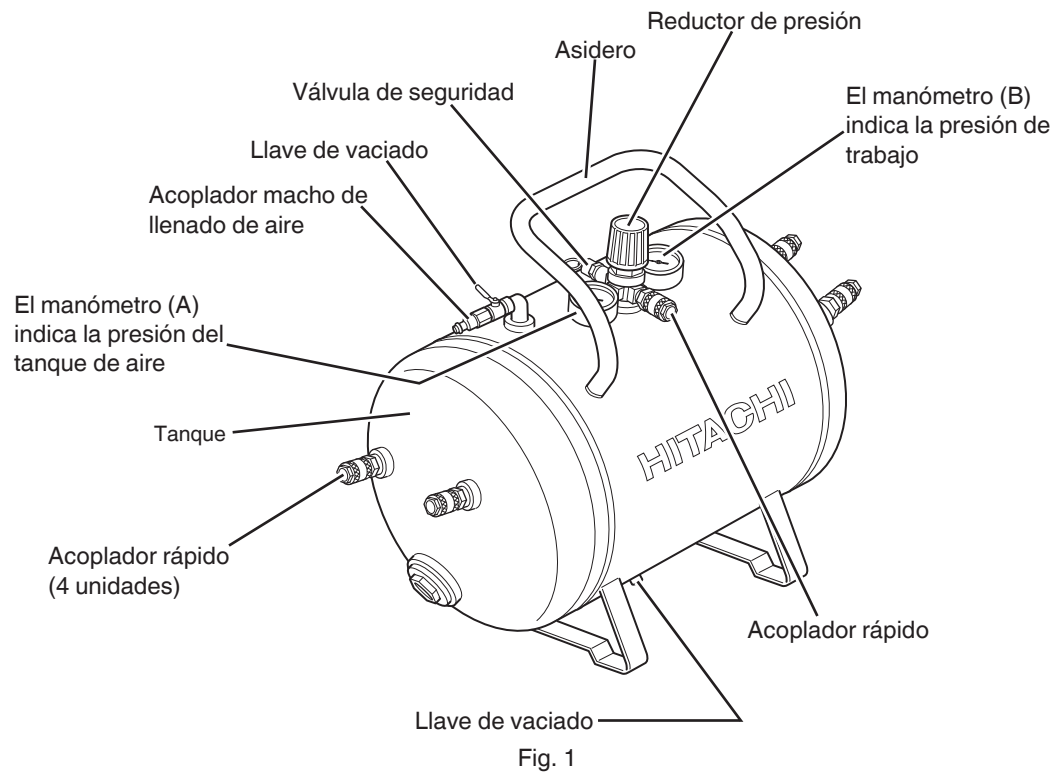
OPERACIÓN Y MANTENIMIENTO

NOTA:

La información contenida en este Manual de Instrucciones ha sido diseñada para asistirle en la operación segura y mantenimiento del tanque de aire.

Algunas ilustraciones de este Manual de Instrucciones pueden mostrar detalles o accesorios que posiblemente sean diferentes a los de su tanque de aire.

NOMENCLATURA



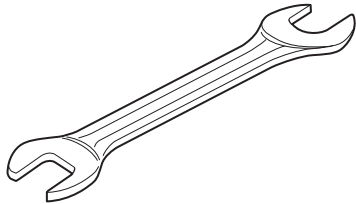
ESPECIFICACIONES

Modelo	UA 3810AB
Capacidad del depósito	10 galones (37.85 litros)
Presión de trabajo máxima permisible	175 PSI (12.1 barías)
Válvula de seguridad	150 PSI (10.3 barías)

ENSAMBLAJE

1. Herramientas necesarias

La siguiente herramienta es necesaria para apretar los extremos roscados de los acopladores rápidos a los puertos de salida de aire del tanque de aire.



LLAVE DE TUERCAS DE EXTREMO ABIERTO (no incluida)

2. Desempaque

Este producto NO ha sido enviado completamente ensamblado.

Saque cuidadosamente el tanque de la caja. Asegúrese de que todos los elementos listados en la lista de empaque hayan sido incluidos.

Inspeccione el tanque cuidadosamente para asegurarse de que no hayan ocurrido roturas o daños durante el envío.

No descarte el material de empaque hasta que haya inspeccionado cuidadosamente y operado satisfactoriamente la herramienta.

Lista de empaque

Tanque (1)

Acopladores rápidos (4)

Manual de instrucciones (1)

⚠ ADVERTENCIA: Si falta alguna parte, no opere el tanque de aire hasta que las partes que faltan hayan sido reemplazadas. No hacerlo podría resultar en posibles lesiones personales graves.

⚠ ADVERTENCIA: No intente modificar esta herramienta o crear accesorios no recomendados para el uso con esta herramienta. Cualquier alteración o modificación constituye un uso inadecuado y puede resultar en condiciones peligrosas que lleven a posibles lesiones personales graves.

3. Montar los acopladores rápidos

Véase la Figura 2 - 4.

Utilice cinta de Teflon® o sellador de roscas para asegurar las conexiones externas.

Asegúrese de que el tanque haya sido completamente drenado.

Los acopladores rápidos ya deben haber sido proporcionados con cinta de sellado de rosca.

De lo contrario, aplique cinta de sellado de rosca a todos los extremos roscados de los acopladores rápidos (para asegurar las conexiones).

Remueva el tapón de envío con unos alicates o un destornillador (o similar) (Fig. 2)

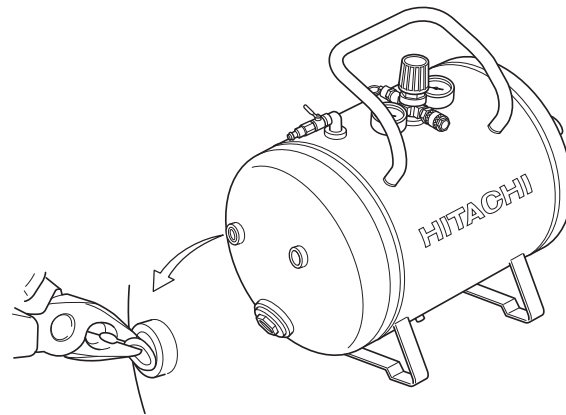


Fig. 2

Inserte el extremo roscado del acoplador rápido en el extremo abierto de la conexión de la salida de aire del tanque. Utilice una llave para tuercas de extremo abierto para apretar de forma segura (Fig. 3)

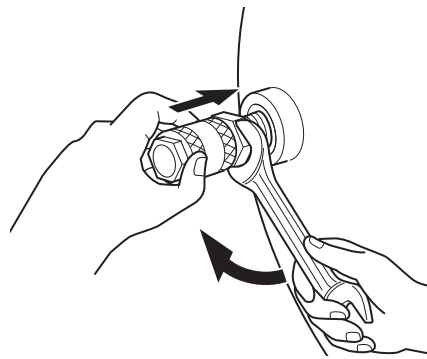


Fig. 3

⚠ PRECAUCIÓN: Fije las conexiones de forma segura. No apriete excesivamente.

⚠ PRECAUCIÓN: Asegúrese de que los cuatro acopladores rápidos estén ensamblados de manera correcta y segura (Fig. 4) antes de usar el tanque de almacenamiento.

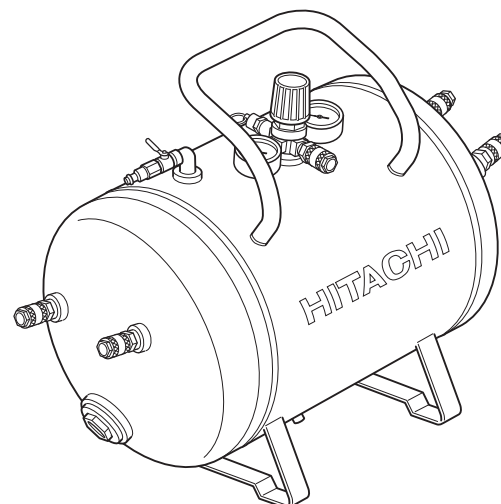


Fig. 4

ANTES DE LA OPERACIÓN

- Para verificar la válvula de seguridad.
Antes de usar este tanque, tire de la anilla de la válvula de seguridad para asegurarse de que la válvula de seguridad opera con suavidad. (Fig. 5) No utilice el tanque de aire si la válvula de seguridad está bloqueada o no opera suavemente. Solicite que la válvula de seguridad defectuosa sea reparada a un centro de servicio autorizado Hitachi.

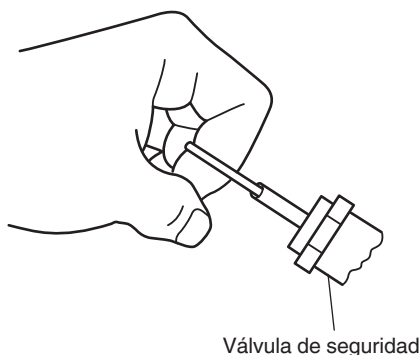


Fig. 5

⚠ ADVERTENCIA: Riesgo de explosión. Si la válvula de seguridad no se mueve apropiadamente podría ocurrir sobrepresurización y causar una ruptura del tanque de aire o una explosión.

- Posición de uso correcta
Siempre use el tanque de aire en una posición estable y segura para prevenir movimientos accidentales de la unidad. Nunca use el tanque de aire en un tejado ni en ninguna otra posición elevada. No lo utilice nunca en una escalera o un soporte inestable. Utilice una manguera de aire adicional para llegar a ubicaciones altas.

⚠ ADVERTENCIA: El tanque de aire puede caer de una mesa, banco de trabajo o techo y causar daños al tanque de aire, que pueden causar lesiones graves o la muerte al operador.

- Temperatura
La temperatura de funcionamiento está comprendida a entre 32 °F y 104 °F (0 °C y 40 °C).

⚠ PRECAUCIÓN: No usar nunca a temperatura inferior a 32 °F (0 °C) ni superior a 104 °F (40 °C).

TRANSPORTE

Drene la presión del tanque completamente antes de transportar el tanque de aire.
Transporte el tanque de aire de la manera correcta.

Cuando transporte el tanque de aire, agarre el asidero.

⚠ ADVERTENCIA: Riesgo de operación insegura. Asegúrese de que está estable y tenga precaución al transportar el tanque de aire, para evitar una pérdida de equilibrio.

OPERACIÓN

⚠ ADVERTENCIA: No utilice el tanque para el almacenamiento de gases comprimidos que no sean aire. Si el tanque presenta cambios de forma de cualquier tipo, deje de usarlo inmediatamente.

⚠ PRECAUCIÓN: Reemplace las conexiones si presentan fugas o tienen algún tipo de daño físico.

⚠ PRECAUCIÓN: Siempre drene completamente la presión del tanque antes de intentar remover o reemplazar alguna conexión.

- Conexión
 - Cierre la llave de aire. (Fig. 6)
 - Conecte el compresor conectando la manguera de aire al acoplador macho de llenado de aire del tanque.
 - Conecte a la aplicación conectando la manguera de aire a los acopladores rápidos del tanque.
 - Abra la llave de aire lentamente.

⚠ ADVERTENCIA: No utilice una manguera de aire con una presión de trabajo máxima de 175 PSI o menos.

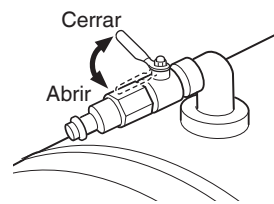


Fig. 6

- Ajuste de la presión de salida
Ajuste la presión de salida al nivel requerido girando la perilla del reductor de presión hacia la derecha para aumentar la presión de salida y hacia la izquierda para reducirla.
Se incluye un manómetro (B) para mostrar cuándo se alcanza la presión requerida.
Cuando ajuste la presión, verifique que el indicador de presión (A) del tanque marque un nivel de presión superior a la presión que se va a ajustar.
Asimismo, es imperativo realizar el ajuste aumentando lentamente la presión desde un nivel inferior a la presión que se va a ajustar.

⚠ ADVERTENCIA: Compruebe la presión máxima indicada por el fabricante del martillo, o grapador, y los accesorios neumáticos. La presión de salida del tanque de aire deberá regularse de forma que la presión máxima indicado por el fabricante del martillo, el grapador y los accesorios, nunca aplicar excede de presión.

3. Desconexión
 - (1) Cierre la llave de aire.
 - (2) Abra lentamente la llave de vaciado y libere por completo la presión del tanque.
 - (3) Desconecte la manguera de aire del acoplador macho de llenado de aire y los acopladores rápidos.
 - (4) Cierre la llave de vaciado.

⚠ ADVERTENCIA: Riesgo de operación insegura. Agarre la manguera de aire con la mano firmemente cuando instale o desconecte, para prevenir que la manguera se suelte.

⚠ ADVERTENCIA: Riesgo de explosión. Si el depósito está oxidado, existe el riesgo de fallo. El agua se condensa en el depósito de aire. Si no se vacía, el agua corroe y desgasta el depósito de aire, exponiéndolo a riesgos de rotura.

Drene el tanque todos los días o después de usarlo. Los gases de escape contienen la humedad presente en el aire, partículas abrasivas, óxido, etc. Para vaciar el depósito, abrir lentamente la válvula e inclinar el tanque de aire para eliminar el agua acumulada. Tener alejado el rostro y ojos del grifo de vaciado.

⚠ PRECAUCIÓN: No abra la llave de aire si el tanque de aire y el compresor no están conectados. Utilice la llave de vaciado cuando descargue el aire comprimido del tanque.

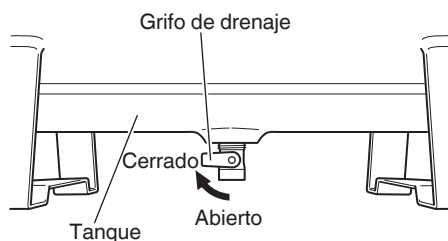


Fig. 7

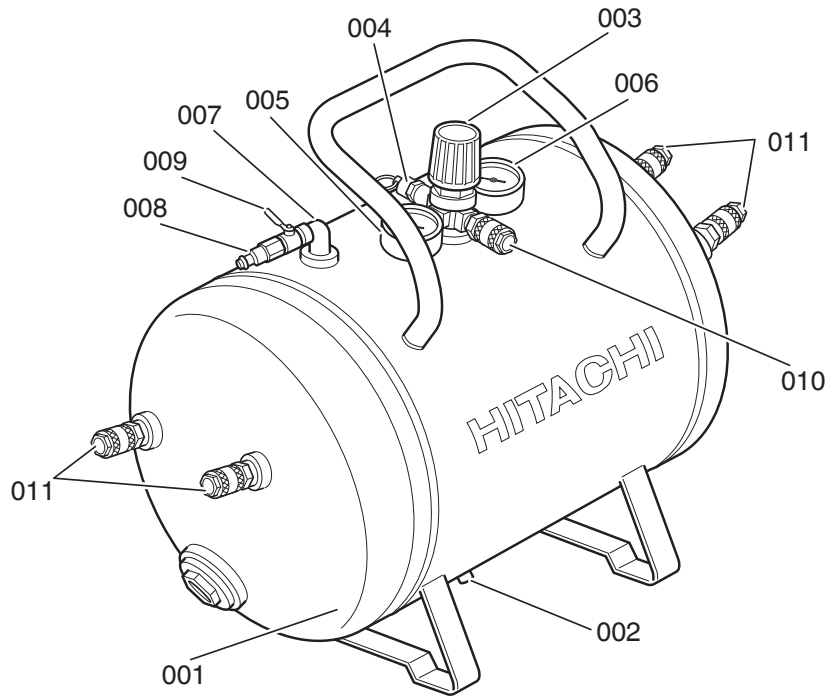
MANTENIMIENTO

1. Drenaje del depósito
Drene el tanque todos los días o después de usarlo. Abra el grifo de drenaje e incline el tanque de aire para vaciar el agua acumulada (Consulte la Fig. 7).

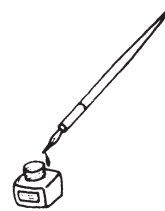
SERVICIO Y REPARACIONES

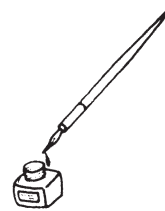
Todos los tanques de aire de calidad requerirán servicios o el reemplazo de partes debido al desgaste provocado por el uso normal. Para asegurar que solo se usan partes de reemplazo genuinas, todas las tareas de servicio y reparaciones deben ser realizadas únicamente por un CENTRO DE SERVICIOS AUTORIZADO DE HITACHI.

NOTA: Las especificaciones están sujetas a cambios sin obligaciones por parte de HITACHI.



ITEM NO.	CODE NO.	PART NAME	Q.TY	REFERENCE NO.
001	889011	TANK	1	9413537206
002	889012	DRAINING VALVE	1	9047113
003	889013	PRESSURE REDUCER	1	9051234
004	889014	SAFETY VALVE	1	9049182
005	889015	GAUGE (TANK PRESSURE)	1	9052217
006	889016	GAUGE (REDUCED PRESSURE)	1	9052218
007	889017	ELBOW	1	9050702
008	889018	QUICK CONNECTOR	1	9047115
009	889019	TAP BALL VALVE	1	9047110
010	889020	QUICK COUPLING 1/4" M (ON REDUCER)	1	9047116
011	889021	QUICK COUPLING 3/8" M (ON SIDES)	4	9047114





Issued by

 **Hitachi Koki Co., Ltd.**

Sinagawa Intercity Tower A, 15-1, Konan 2-chome,
Minato-ku, Tokyo 108-6020, Japan

Distributed by

 **Hitachi Koki U.S.A., Ltd.**

PO Box 970
Braselton, GA 30517

 **Hitachi Koki Canada Corp.**

450 Export Blvd. Unit B,
Mississauga ON L5S 2A4

610

Code No. C99227151

Printed in China