

Tanaka Illustrated Parts Manual

Model Number:

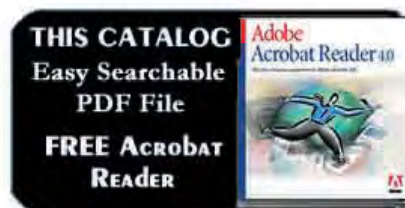
TLE-600

WALK BEHIND EDGER

P/N 40163

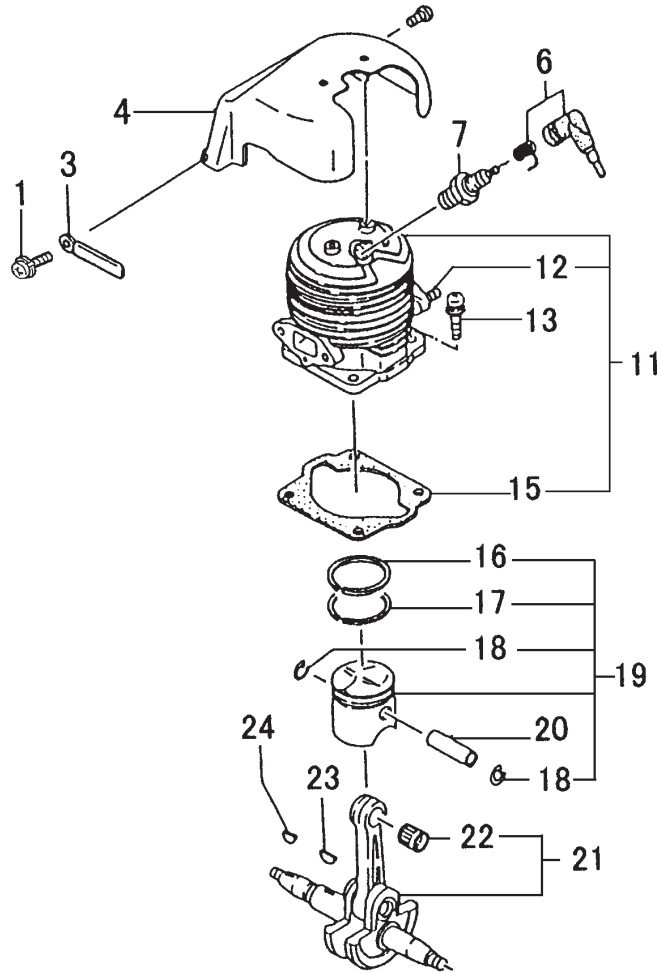
Rev 000

Date 5-15-07



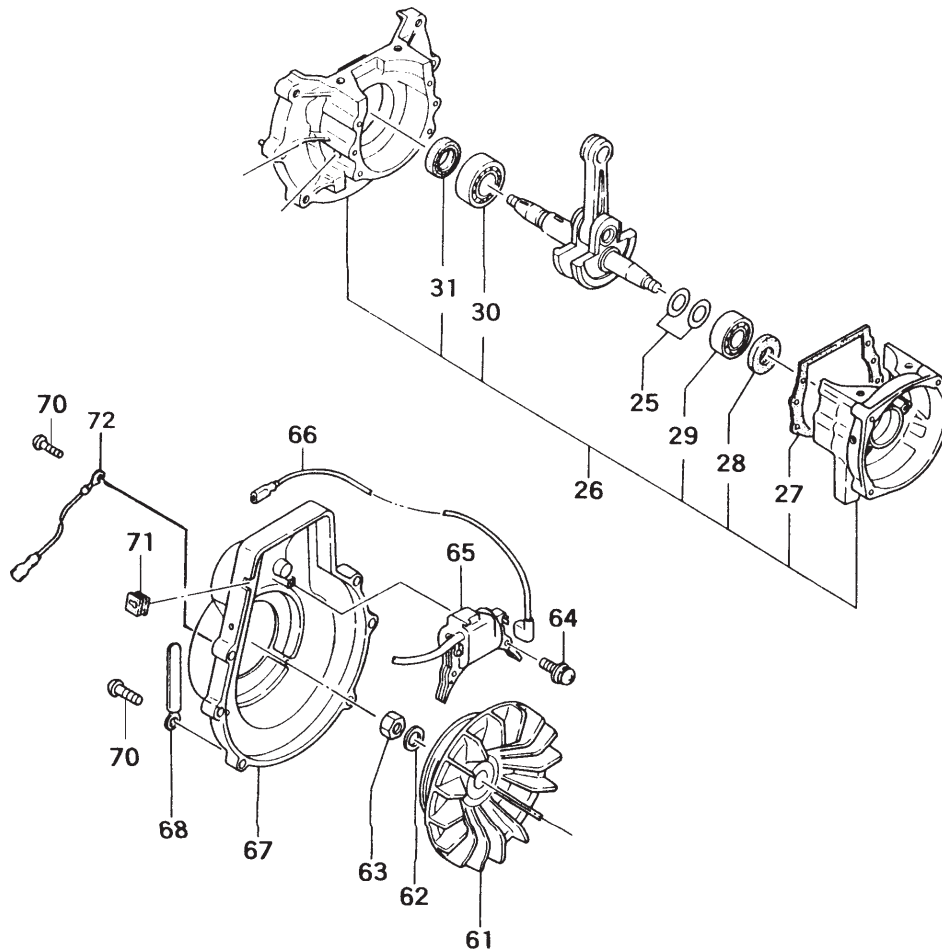
Nikko Tanaka Engineering U.S.A.,Ltd. • 1028 4th Street SW, Bldg B • Auburn, WA 98001 • Phone: (253) 333-1200 • Fax: (253) 333-1212

CYLINDER, PISTON & CRANKSHAFT • FIGURE 1

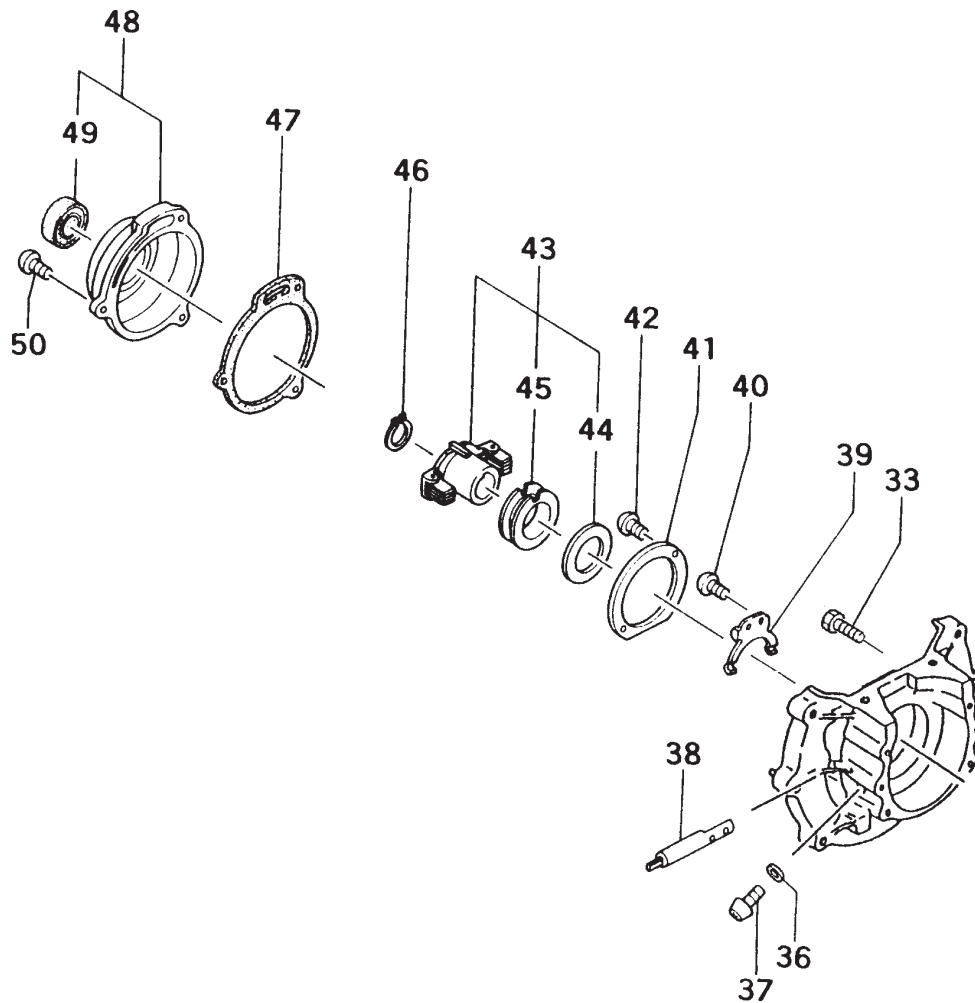


ITEM	PART NUMBER	DESCRIPTION	QTY	COMMENTS
1-1	99413050121	SCREW 5x12/P	3	
1-3	19805015800	CLAMP,CORD	1	
1-4	01610244200	COVER,CYLINDER	1	
1-6	15701570900	CAP,SPARK PLUG,ASSEMBLY	1	
1-7	01802233200	PLUG,SPARK	1	
1-11	0011026690	CYLINDER SET	1	Includes gasket
1-12	1000422U22	STUD,6x30	2	
1-13	99461060184	BOLT,HEX,6x18S	4	
1-15	0171026621	GASKET,CYLINDER	1	
1-16	04010100200	RING,PISTON,TOP	1	
1-17	04110100201	RING,PISTON	1	
1-18	03902000201	CIRCLIP,PISTON PIN	2	
1-19	0301026690	PISTON SET	1	Includes rings and circlips
1-20	03710100200	PIN,PISTON,10X35	1	
1-21	0461024380	CRANKSHAFT	1	
1-22	99962101004	BEARING,NEEDLE,F1010B	1	
1-23	06810100200	KEY,WOODRUFF,3X13X4.5	1	
1-24	06802000200	KEY,WOODRUFF,3X13X5	1	

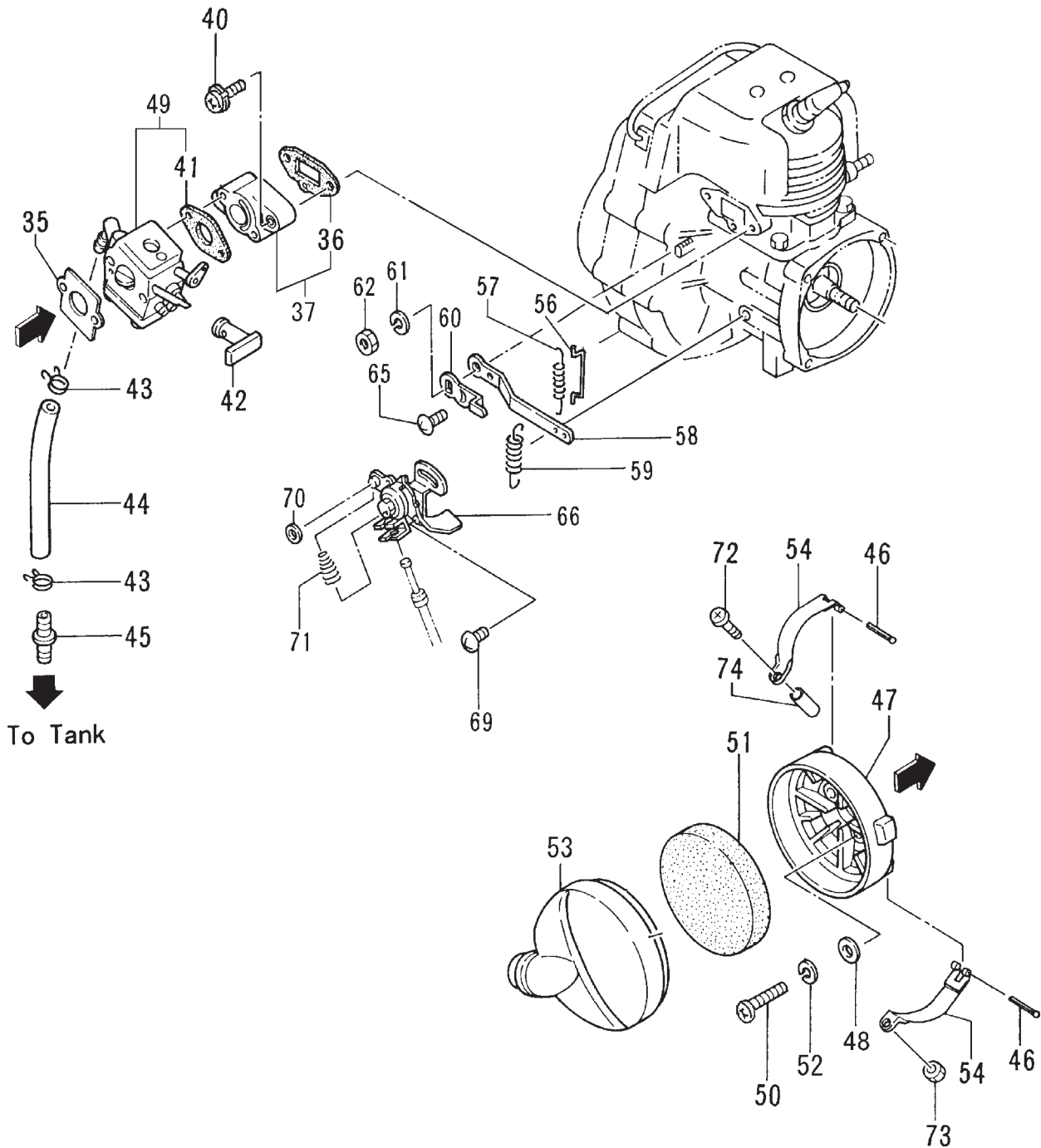
CRANKCASE, FLYWHEEL & IGNITION • FIGURE 2



ITEM	PART NUMBER	DESCRIPTION	QTY	COMMENTS
2-25	07102007210	SHIM,15.2X20X.10	1	
2-25	07102007220	SHIM,15.2X20X.15	1	
2-25	07111600230	SHIM,16X21X.20	1	
2-25	07111600240	SHIM,16X21X.30	1	
2-26	0721026690	CRANKCASE ASSY	1	Includes bearings, seals and gasket
2-27	0901020021	GASKET,CRANKCASE	1	
2-28	99966153000	SEAL,OIL,#15307	1	
2-29	99961620200	BEARING,BALL,#6202	1	
2-30	99961620300	BEARING,BALL,#6203	1	
2-31	99966173066	OIL SEAL,UE17307	1	
2-61	15521714801	ROTOR,MAGNETO	1	
2-62	99201100011	WASHER,10	1	
2-63	99109100001	NUT,10 L.H.	1	
2-64	99416040226	SCREW,WS,4X22	2	
2-65	16721954800	COIL,IGNITION	1	
2-66	1780136M800	CORD,STOP	1	
2-67	11210246200	CASE,FAN	1	
2-68	19810246800	CLAMP,CORD	1	
2-70	99414060301	SCREW,6X30/S	4	
2-71	20210200201	GROMMET,SECONDARY CORD	1	
2-72	27404037800	CORD,EARTH	1	

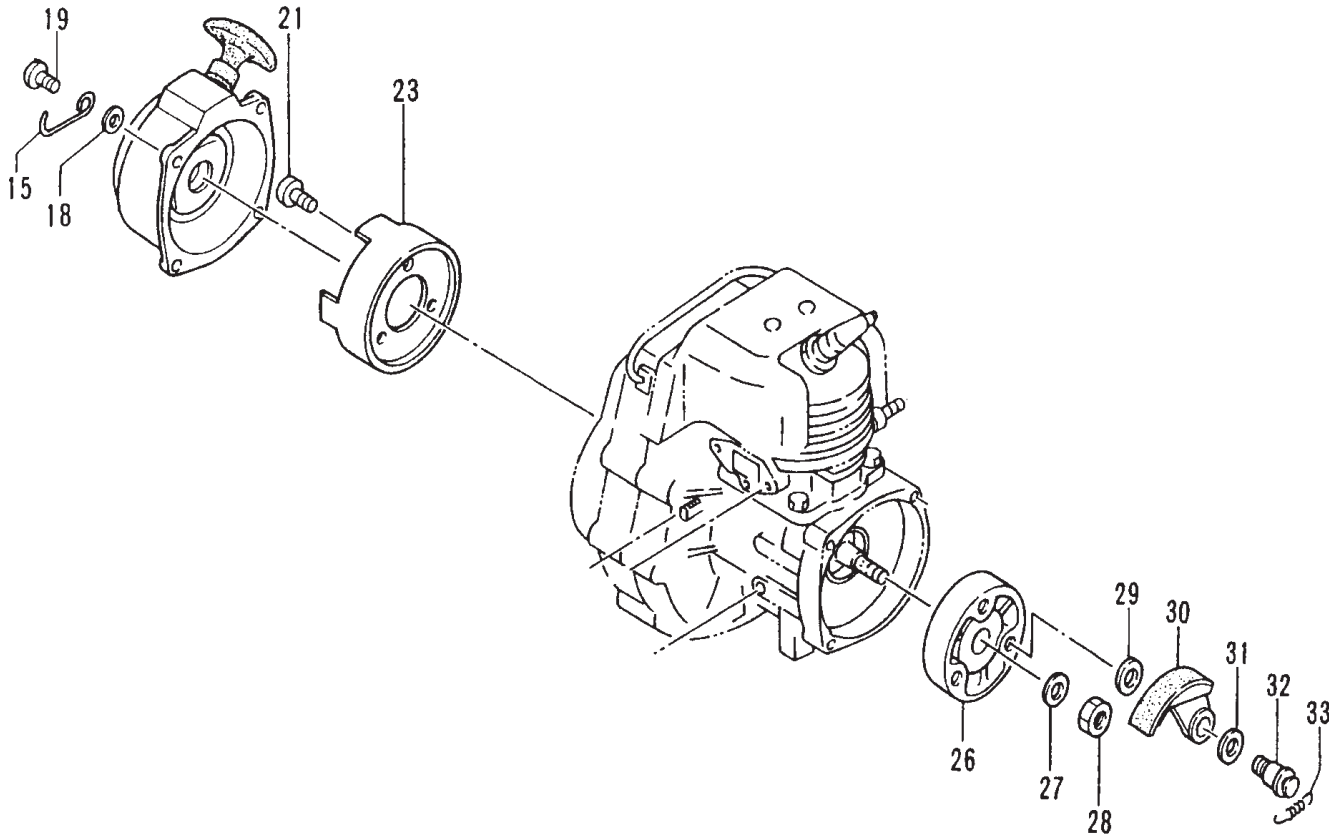


ITEM	PART NUMBER	DESCRIPTION	QTY	COMMENTS
3-33	99461060304	BOLT,HEX,6x30/S	4	
3-36	72701040201	GASKET,DRAIN	1	
3-37	99011060102	SCREW,6X10	1	
3-38	36910250203	SHAFT,GOVERNOR	1	
3-39	36710250210	FORK,GOVERNOR SHAFT	1	
3-40	99011030061	SCREW,3X6	2	
3-41	32910250201	PARTITION,OIL	1	
3-42	99011040081	SCREW,4X8	2	
3-43	1141025000	GOVERNOR ASSY	1	
3-44	38810250210	PLATE,GOVERNOR	1	
3-45	38910250210	SLEEVE,GOVERNOR	1	
3-46	99350015002	RING,STOP,C-15 EX	1	
3-47	38510250202	GASKET,GOVERNOR COVER	1	
3-48	38410243900	COVER,GOVERNOR ASS'Y	1	
3-49	99966152564	SEAL,OIL,UD15257	1	
3-50	99011040101	SCREW,4X10	3	

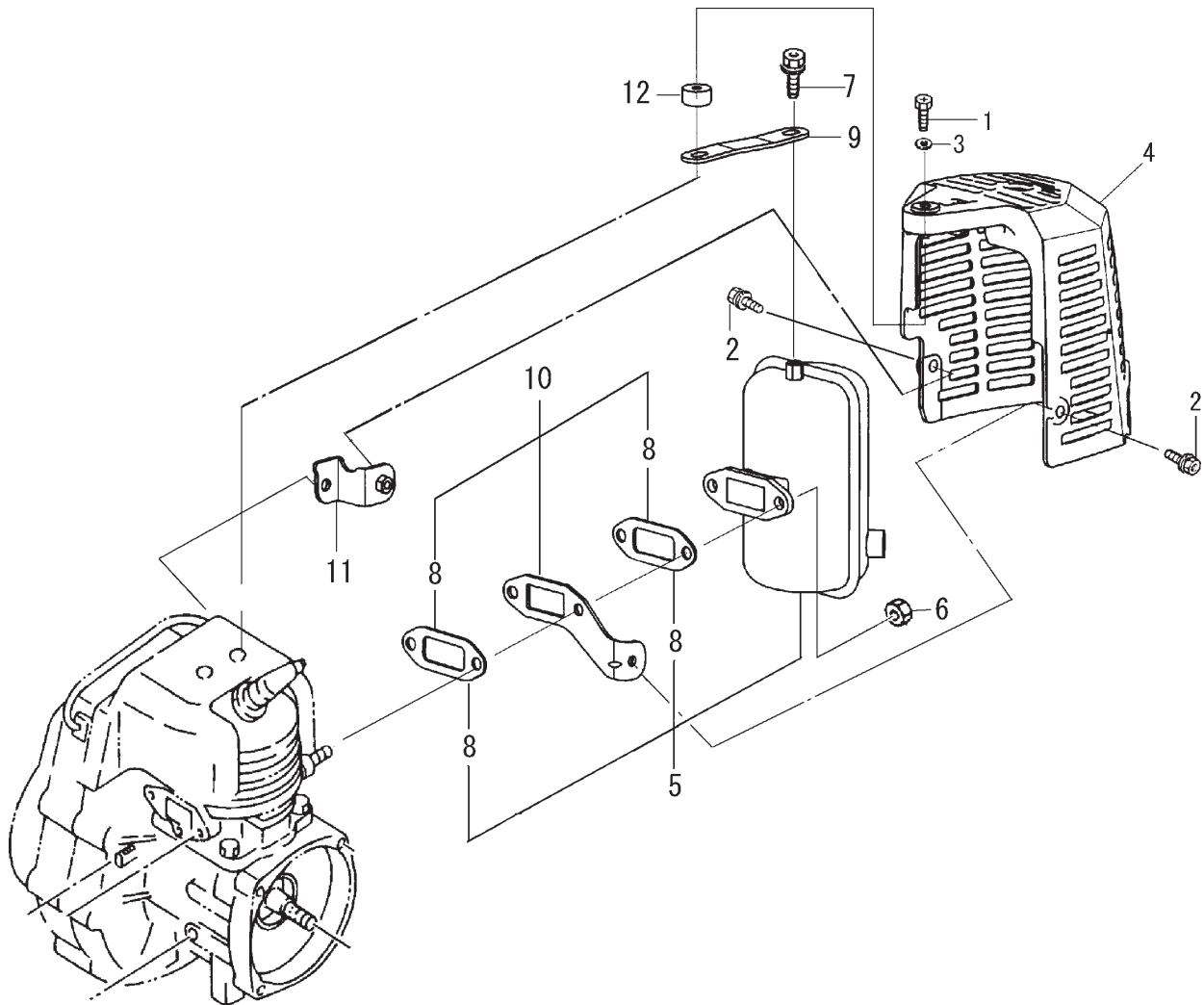


CARBURETOR, THROTTLE LINKAGE & AIR CLEANER • FIGURE 4

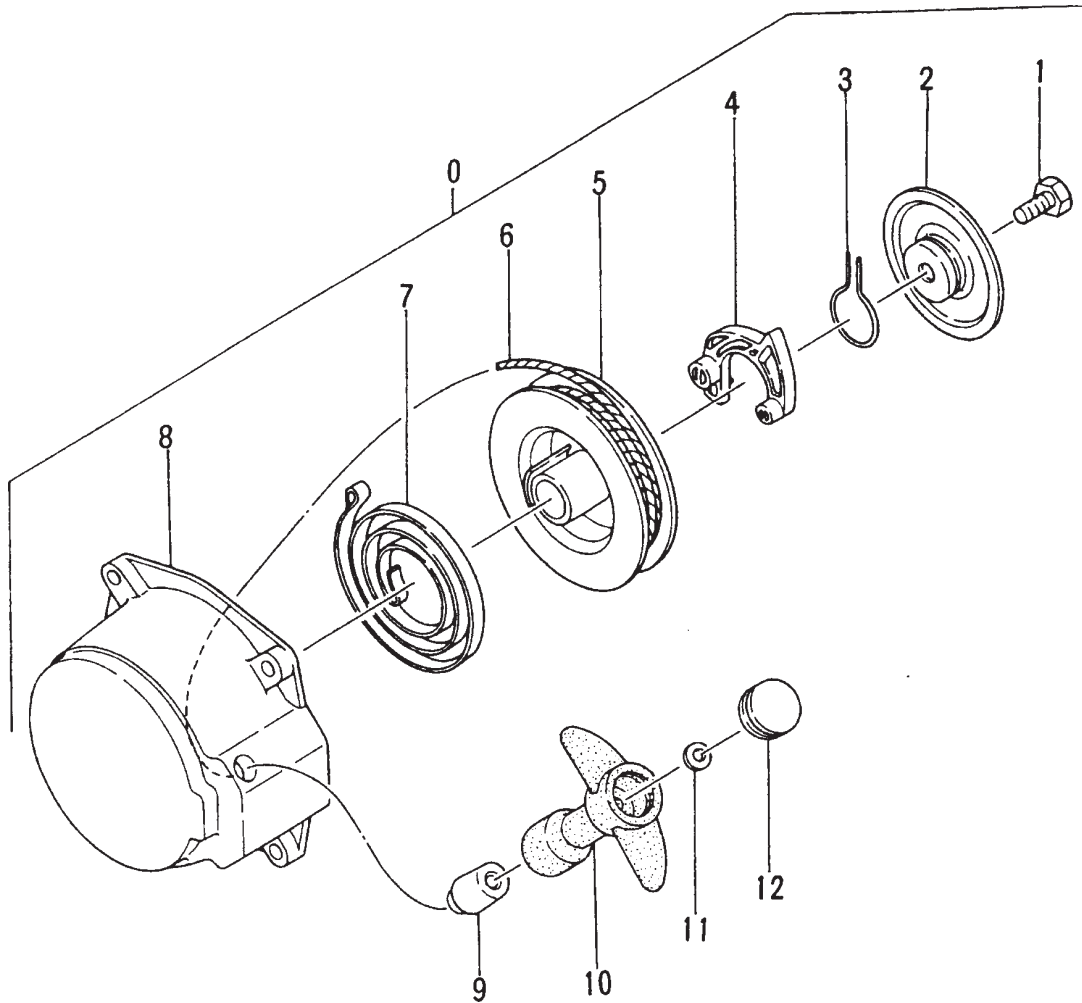
ITEM	PART NUMBER	DESCRIPTION	QTY	COMMENTS
4-35	43105015201	GASKET,CLEANER	1	
4-36	40310244201	GASKET,INTAKE MANIFOLD	1	
4-37	4041026290	INSULATOR SET	1	Includes gasket
4-40	99464050254	BOLT,HEX HOLE,5X25WS	2	
4-41	4020174020	GASKET,CARBURETOR	1	
4-42	49504200200	LEVER,CHOKE	1	
4-43	68000206200	CLIP,5.5	2	
4-44	70053005195	PIPE,FUEL,3X5X195	1	
4-45	49732350200	JOINT,PIPE	1	
4-46	99324025161	PIN,SPRING,2.5X16	2	
4-47	42310246201	BODY,CLEANER	1	
4-48	99200050011	WASHER,SMALL,5	2	Includes gasket
4-49	4551026690	CARBURETOR SET	1	
4-50	99011050651	SCREW,5X65	2	
4-51	44402401201	ELEMENT,CLEANER A	1	
4-52	99210050012	WASHER,S,5	2	
4-53	42410246200	CAP,CLEANER	1	
4-54	43910246200	BAND,CLEANER	2	
4-56	49010244200	ROD,THROTTLE	1	
4-57	37612121200	SPRING,GOVERNOR ROD	1	
4-58	37710244200	LEVER,GOVERNOR OUTER	1	
4-59	37410244200	SPRING,GOVERNOR	1	
4-60	37210250201	LEVER,GOVERNOR SPRING	1	
4-61	99210060012	WASHER,S,6	1	
4-62	99101060013	NUT,6	1	
4-65	99415040081	SCREW,4X8	1	
4-66	83010250903	LEVER,CONTROL,ASS'Y	1	
4-69	99416050101	SCREW,WS,5X10	2	
4-70	70017512003	RETAINER	1	
4-71	90210243200	SPRING,WIRE,RETURN	1	
4-72	99011050351	SCREW,5X35	1	
4-73	99101050011	NUT,5	1	
4-74	47010246200	COLLAR	1	



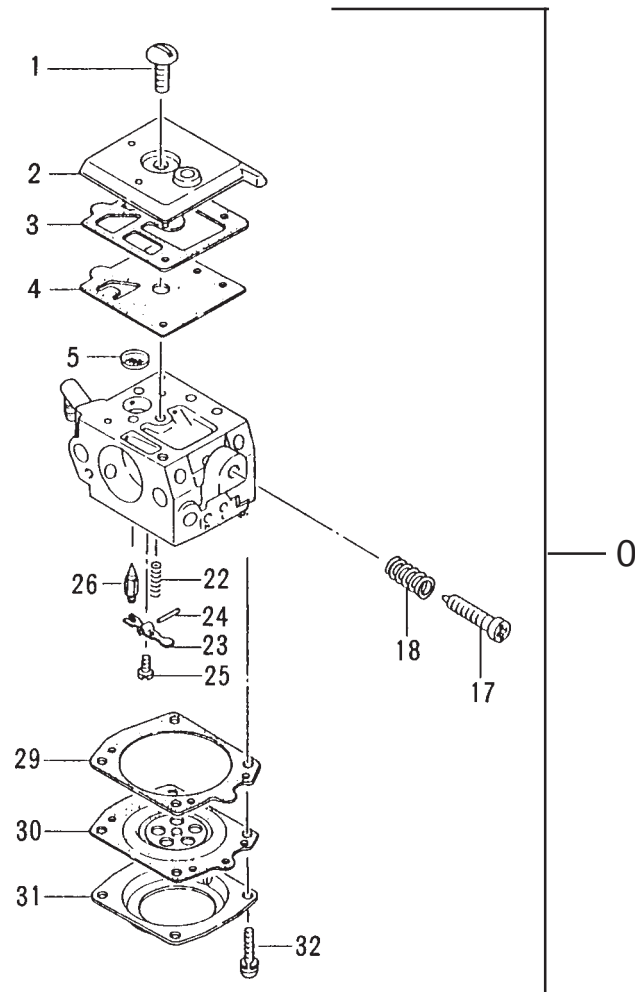
ITEM	PART NUMBER	DESCRIPTION	QTY	COMMENTS
5-15	46133111200	CLAMP	1	
5-18	99201050011	WASHER,5	1	
5-19	99415050201	SCREW,5x20	4	
5-21	99414060201	SCREW,6x20	3	
5-23	79810246200	PULLEY,STARTER	1	
5-26	34710243200	FLANGE,CLUTCH	1	
5-27	99201100011	WASHER,10	1	
5-28	99115100001	NUT,LH,10	1	
5-29	35910112203	WASHER,CLUTCH B	3	
5-30	29010112802	ARM,CLUTCH	3	
5-31	35810112201	WASHER,CLUTCH	3	
5-32	35710112204	BOLT,CLUTCH STEP	3	
5-33	34210205220	SPRING,CLUTCH	3	



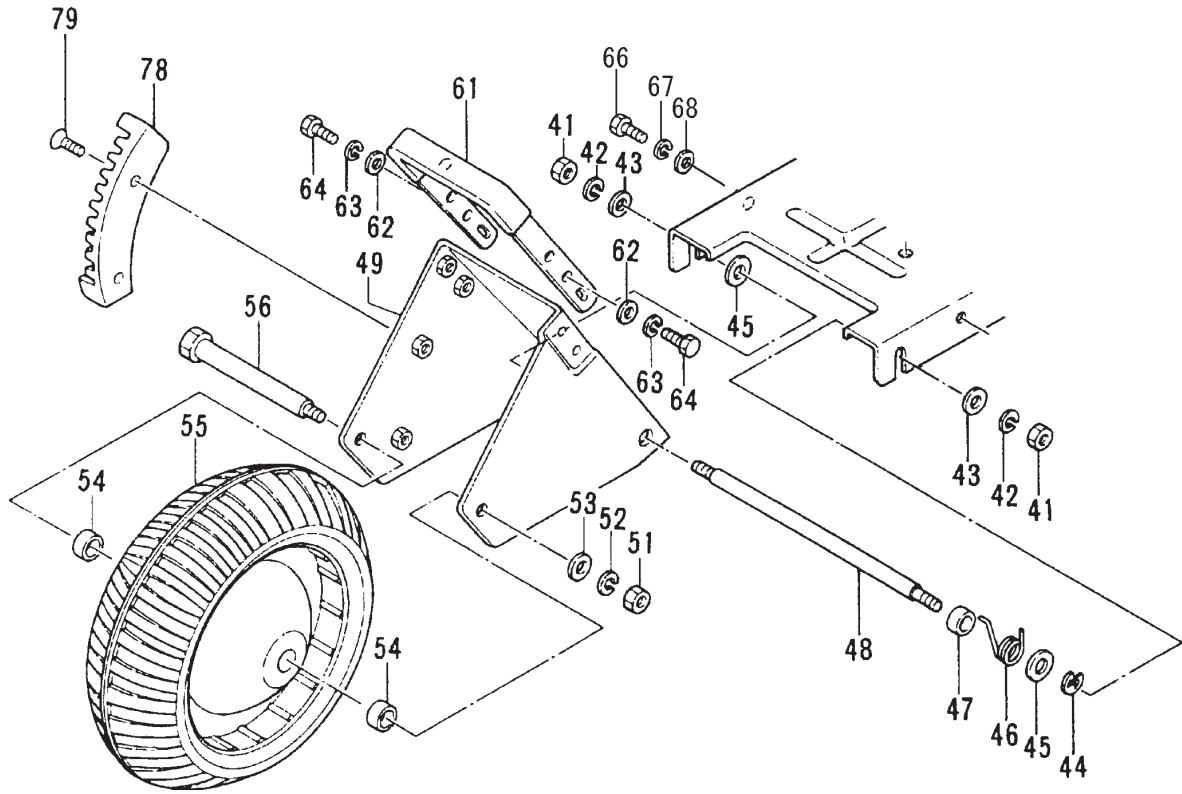
ITEM	PART NUMBER	DESCRIPTION	QTY	COMMENTS
6-1	99461050304	BOLT,HEX,5X30S	1	
6-2	99463050164	BOLT,HEX,5X16,PS	2	
6-3	99201050011	WASHER,5	1	
6-4	7381026620	PROTECTOR,MUFFLER	1	
6-5	7041026690	MUFFLER SET	1	Includes #10 bracket & #8 gaskets
6-6	99440060011	NUT,SPRING 6	2	
6-7	99460050104	BOLT,HEX 5x10W	1	
6-8	7371024220	GASKET,MUFFLER	2	
6-9	73310205210	STAY,MUFFLER	1	
6-10	7291026690	BRACKET,MUFFLER SET	1	Includes #8 gaskets
6-11	7601026680	BRACKET,MUFFLER B	1	
6-12	6490725020	COLLAR,TANK	1	



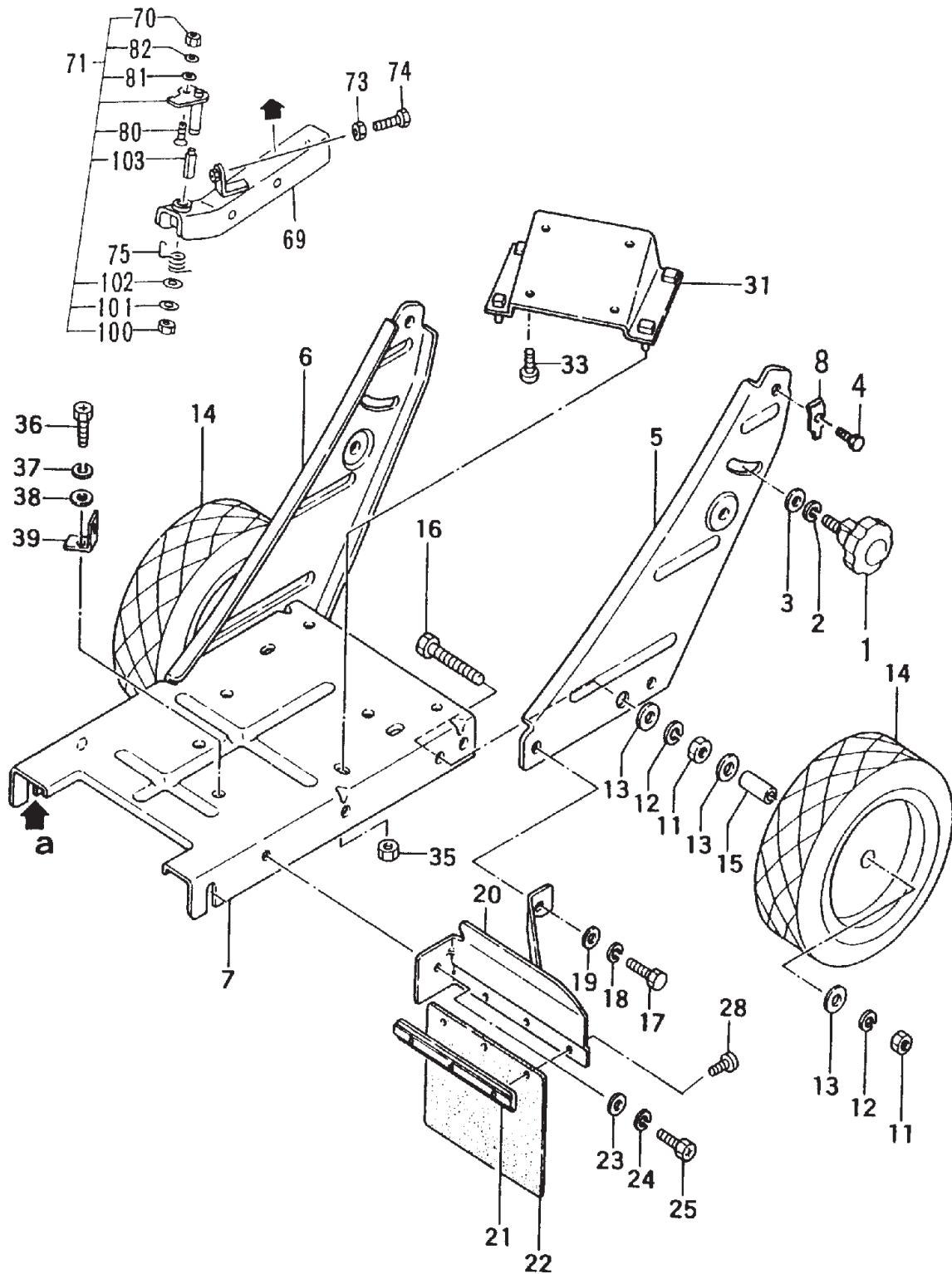
ITEM	PART NUMBER	DESCRIPTION	QTY	COMMENTS
7-0	76210246900	STARTER,RECOIL ASS'Y	1	
7-1	99021060121	BOLT,6X12	1	
7-2	83710205200	PLATE,FRICION	1	
7-3	8361020520	SPRING,FRICION	1	
7-4	78810243200	PAWL,STARTER	1	
7-5	77410246800	PULLEY,STARTER	1	
7-6	78310205200	ROPE,STARTER	1	
7-7	77910205200	SPRING,RECOIL	1	
7-8	77210246200	BODY,RECOIL STARTER	1	
7-9	78010108200	GUIDE,ROPE	1	
7-10	78510118200	HANDLE,STARTER	1	
7-11	79510243200	STOPPER,ROPE	1	
7-12	83510246200	CAP,STARTER HANDLE	1	



ITEM	PART NUMBER	DESCRIPTION	QTY	COMMENTS
8-0	4551026690	CARBURETOR SET	1	Includes gasket
8-1	51425001200	SCREW, SET	1	
8-2	57525012200	BODY, PUMP	1	
8-3	~ ~ ~	GASKET, PUMP	1	~ Included in 650.25012.910 Carb Kit
8-4	~ ~ ~	DIAPHRAGM, PUMP	1	(not available individually)
8-5	57825007200	SCREEN, INLET	1	
8-17	46225006200	SCREW, IDLE ADJUST	1	
8-18	46325012200	SPRING, IDLE ADJUST	1	
8-22	4772508820	VALVE, SPRING	1	
8-23	47325012200	LEVER, CONTROL	1	
8-24	60525001200	PIN, HINGE	1	
8-25	54625001200	SCREW, SET, HINGE PIN	1	
8-26	6032501220	NEEDLE VALVE	1	
8-29	~ ~ ~	GASKET, DIAPHRAGM	1	
8-30	~ ~ ~	DIAPHRAGM, METERING	1	
8-31	47625012201	COVER, DIAPHRAGM	1	
8-32	54825012200	SCREW, SET	4	



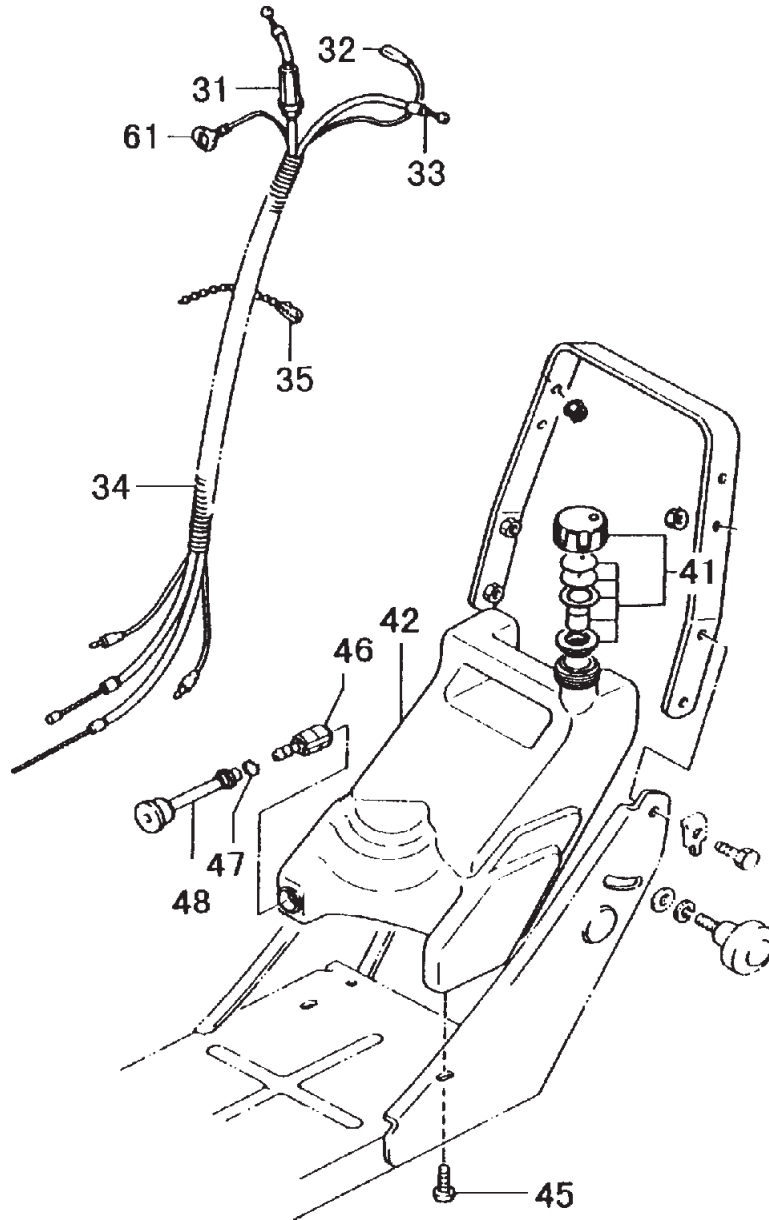
ITEM	PART NUMBER	DESCRIPTION	QTY	COMMENTS
9-41	99101080011	NUT,8	2	
9-42	99210080012	WASHER,S,8	2	
9-43	99201080011	WASHER,8	2	
9-44	99355100001	RING,STOP,10	1	
9-45	48333111200	WASHER	2	
9-46	19633111200	SPRING,FENDER,FRONT	1	
9-47	32133111200	SPACER,B	1	
9-48	29233111200	SHAFT,CENTER	1	
9-49	19533111801	FENDER,FRONT	1	
9-51	99101080011	NUT,8	1	
9-52	99210080012	WASHER,S,8	1	
9-53	99201080011	WASHER,8	1	
9-54	32033111200	SPACER	2	
9-55	43033111800	WHEEL,FRONT,8"	1	
9-56	29033111200	SHAFT,FRONT	1	
9-61	19733111200	HANDLE,CARRYING	1	
9-62	99201060011	WASHER,6	4	
9-63	99210060012	WASHER,S,6	4	
9-64	99021060201	BOLT,6X20	4	
9-66	99021080201	BOLT,8X20	1	
9-67	99210080012	WASHER,S,8	1	
9-68	99201080011	WASHER,8	1	
9-78	47533111200	PLATE,ADJUST	1	
9-79	99012080121	SCREW,8X12 F.H.	2	



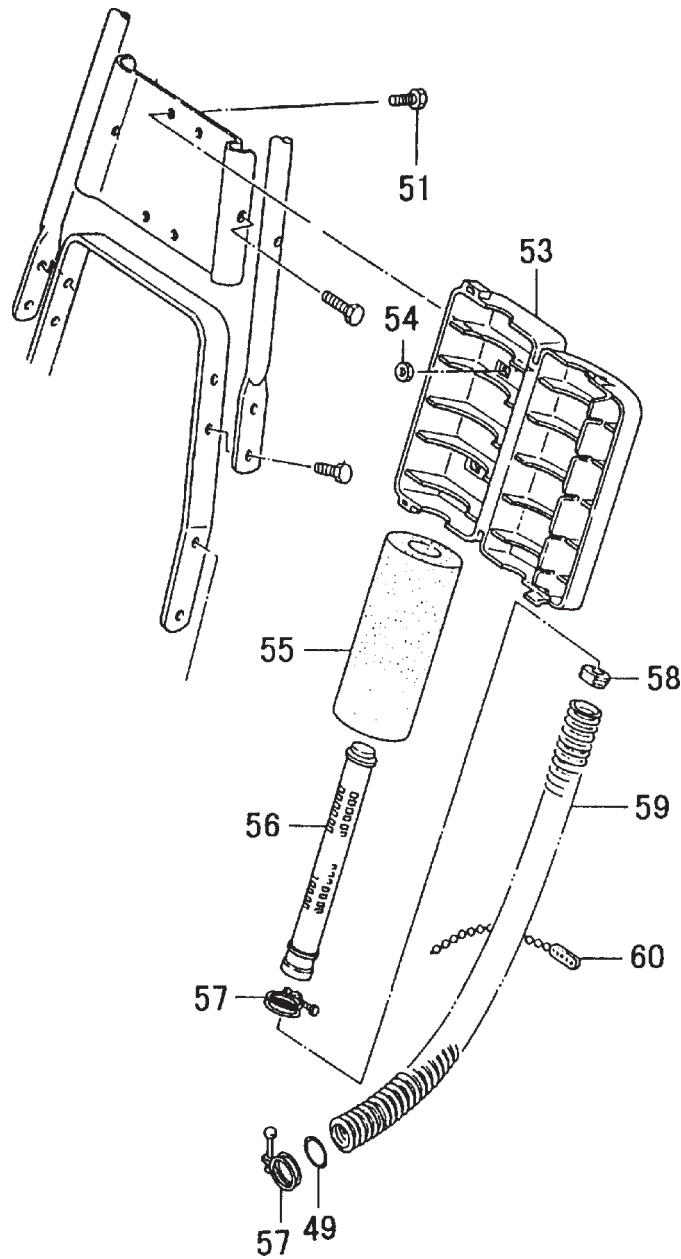
ENGINE BED & REAR WHEELS • FIGURE 10

ITEM	PART NUMBER	DESCRIPTION	QTY	COMMENTS
10-1	21033110800	HANDLE, LOCK	2	
10-2	99210080012	WASHER, S, 8	2	
10-3	99201080011	WASHER, 8	2	
10-4	99021080201	BOLT, 8X20	2	
10-5	16733110210	HOLDER, HANDLE A	1	
10-6	16833110210	HANDLE, HOLDER B	1	
10-7	0023311180	BASE, ENGINE	1	
10-8	16933111200	WASHER, LOCK TAB	2	
10-11	99101100011	NUT, 10	4	
10-12	99210100012	WASHER, S, 10	4	
10-13	99201100011	WASHER, 10	6	
10-14	43133110801	WHEEL, REAR, 8"	2	
10-15	29433111200	COLLAR	2	
10-16	99021100701	BOLT, HEX. HOLE, 10X70	2	
10-17	99021080201	BOLT, 8X20	4	
10-18	99210080012	WASHER, S, 8	4	
10-19	99201080011	WASHER, 8	4	
10-20	49533111810	BRACKET, MUD FLAP	1	
10-21	49633111200	HOLDER, MUD FLAP	1	
10-22	50033111200	FLAP, MUD	1	
10-23	99201060011	WASHER, 6	1	
10-24	99210060012	WASHER, S, 6	1	
10-25	99023060121	BOLT, PLUS, 6X12	1	
10-28	99415040121	SCREW, PS, 4X12	3	
10-31	00533110800	BED, ENGINE	1	
10-33	99414060161	SCREW, S, 6X16	4	
10-35	99182060001	NUT, FLANGE, 6	4	
10-36	99023060161	BOLT, 6X16 PLUS	1	
10-37	99210060012	WASHER, S, 6	1	
10-38	99201060011	WASHER, 6	1	
10-39	33933111200	STAY, CLUTCH CASE	1	
10-69	48133111800	STAY, ADJUST	1	
10-70	99182060001	NUT, FLANGE, 6	1	
10-71	4853311191	PLATE, LOCK	1	
10-73	99101060013	NUT, 6	1	
10-74	8943311120	RECEIVER, OUTER	1	
10-75	4873311121	SPRING, LOCK PLATE	1	
10-80	90433111210	BOLT, SPECIAL	1	
10-81	87132367200	WASHER, SPECIAL	1	
10-82	99201060011	WASHER, 6	1	
10-100	99174080003	U-NUT, 8	1	
10-101	99201080011	WASHER, 8	1	
10-102	30736100200	LEVER, WASHER ENGAGE	1	
10-103	4673311120	COLLAR	1	

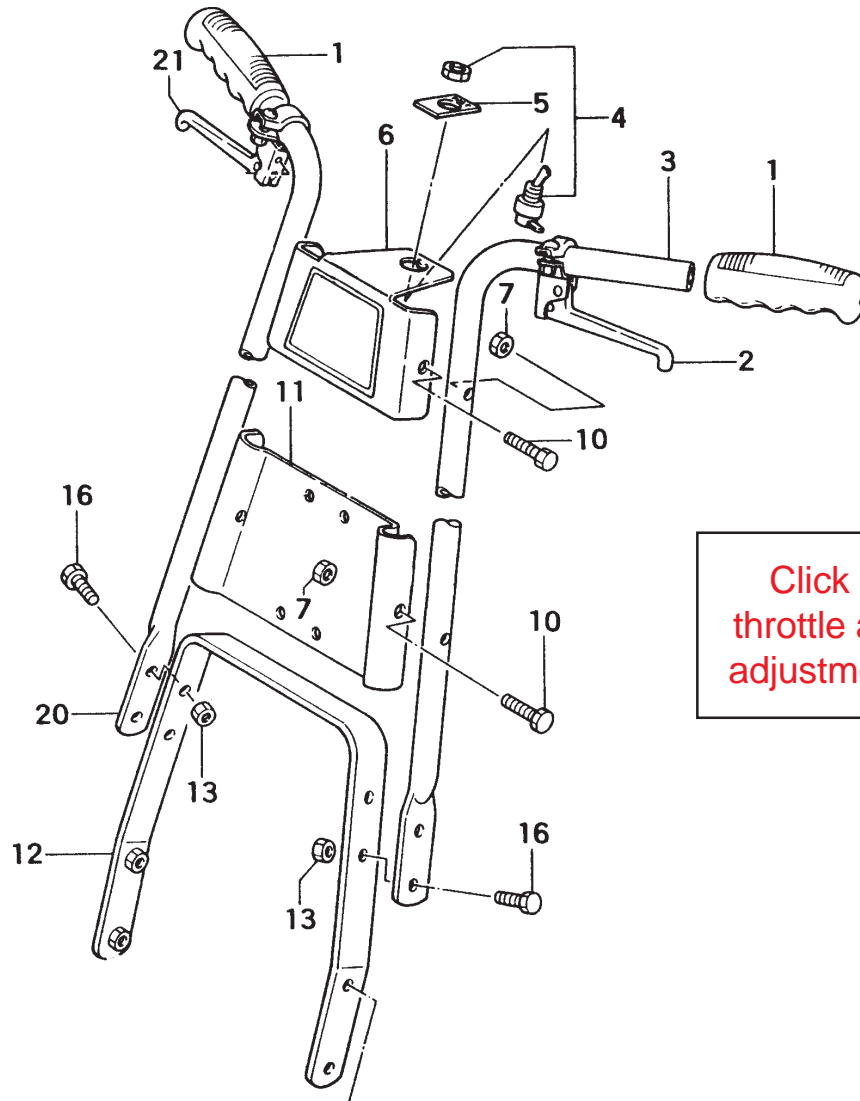
FUEL TANK & CONTROL WIRES • FIGURE 11



ITEM	PART NUMBER	DESCRIPTION	QTY	COMMENTS
11-31	8851026680	WIRE,THROTTLE,TLE-600	1	
11-32	17810243800	CORD,STOP	1	
11-33	4803312790	WIRE,HEIGHT ADJUST	1	
11-34	16413085010	TUBE,PROTECTION,13X850	1	
11-35	4603311120	CLAMP,B	1	
11-41	5953312490	CAP,TANK TLE	1	
11-42	5913312390	TANK W/CAP,TLE	1	
11-42	5913312F80	TANK, FUEL, WHITE WO/CAP	1	~E111601
11-45	99415060121	SCREW,6X12	4	
11-46	67501630900	FILTER,FUEL	1	
11-47	68004019210	CLIP,7	1	
11-48	67810246200	PIPE,FUEL	1	
11-61	17733111800	CORD,EARTH,B	1	

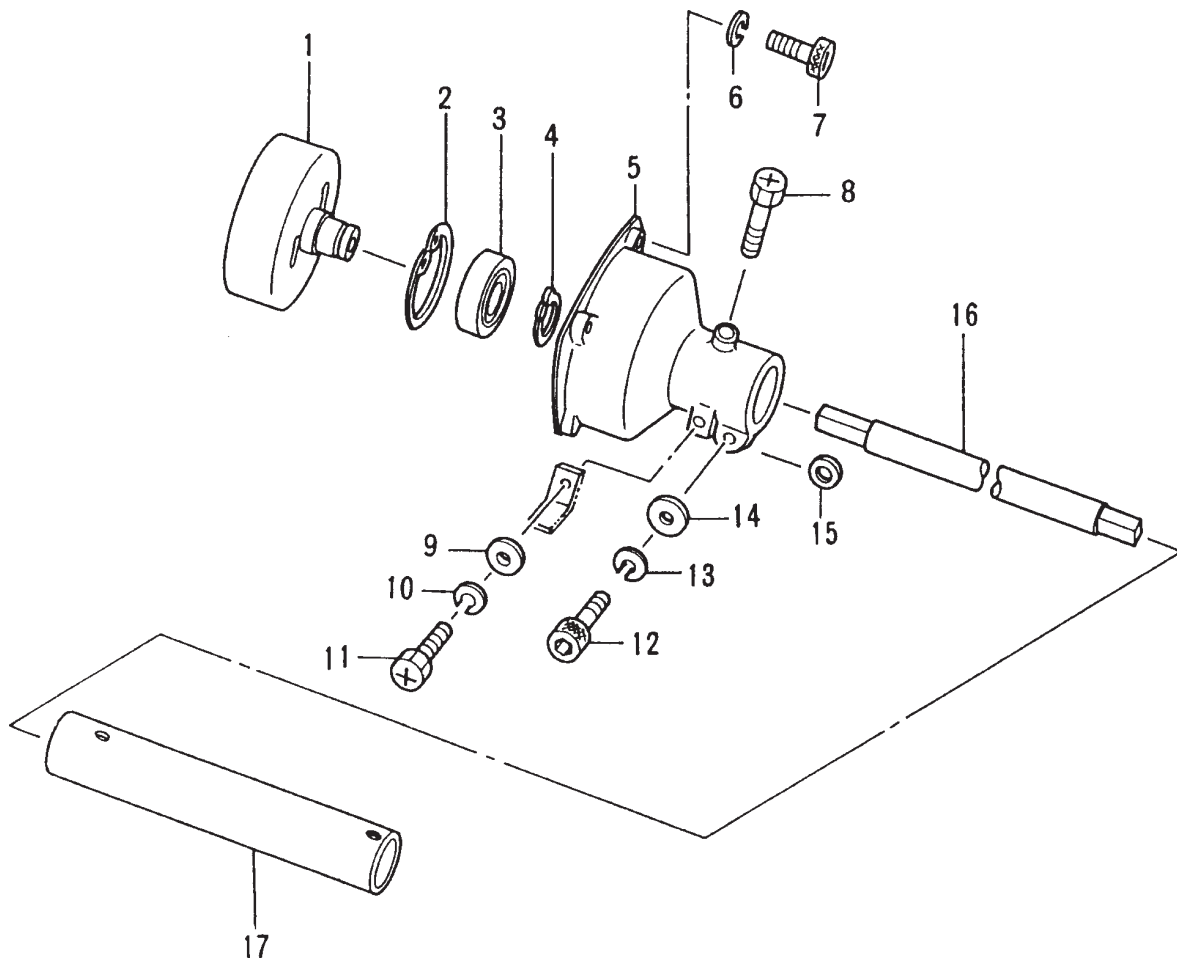


ITEM	PART NUMBER	DESCRIPTION	QTY	COMMENTS
12-49	99967042003	O-RING,P-42	1	
12-51	99415050141	SCREW,5X14/PS	4	
12-53	42333111201	BODY,CLEANER	1	
12-54	99101050011	NUT,5	4	
12-55	44405015200	ELEMENT,CLEANER	1	
12-56	42505015200	CORE,CLEANER	1	
12-57	46633111200	BAND,WIRE 36	2	
12-58	46233110200	PIPE,RUBBER,15	1	
12-59	16432055000	HOSE,CLEANER	1	
12-60	45933111900	CLAMP,HOSE ASS'Y	1	

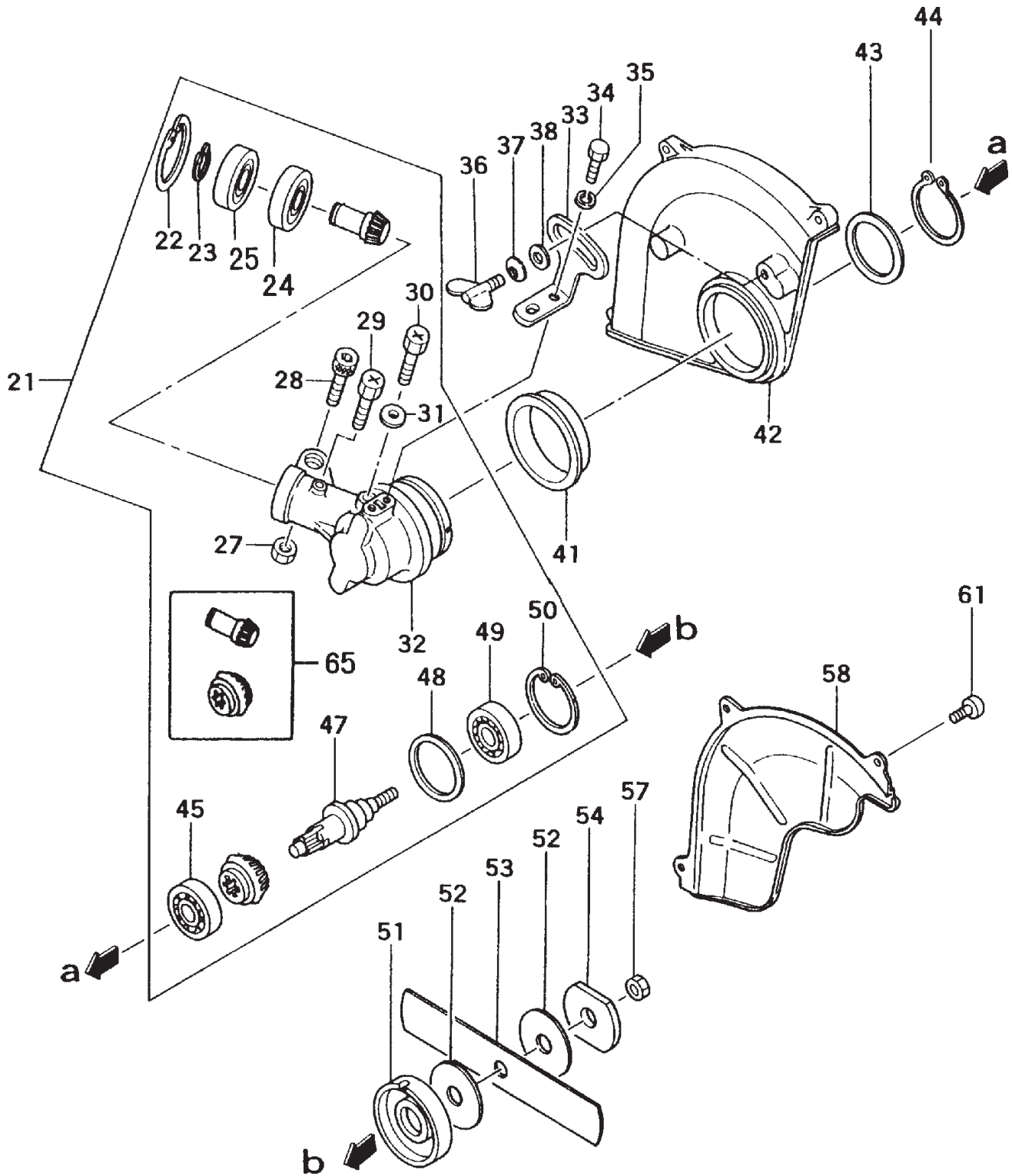


Click here for
throttle and height
adjustment cables

ITEM	PART NUMBER	DESCRIPTION	QTY	COMMENTS
13-1	16533111200	GRIP,HANDLE	2	
13-2	4723311190	LEVER,ADJUST,ASS'Y	1	
13-3	15933111200	HANDLE,LEFT	1	
13-4	16201570900	SWITCH,STOP,ASS'Y	1	
13-5	18301300200	NAME PLATE,SWITCH	1	
13-6	64033111200	PLATE,STOP SWITCH	1	
13-7	99182060001	NUT,FLANGE,6	4	
13-10	99021060351	BOLT,6X35	4	
13-11	45433111200	HOLDER,CLEANER BODY	1	
13-12	15533111800	HANDLE,A	1	
13-13	99182060001	NUT,FLANGE,6	4	
13-16	99023060181	BOLT,PLUS,6X18	4	
13-20	15833111200	HANDLE,RIGHT	1	
13-21	1623311190	LEVER,THROTTLE ASS'Y	1	



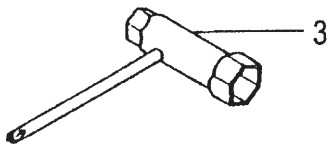
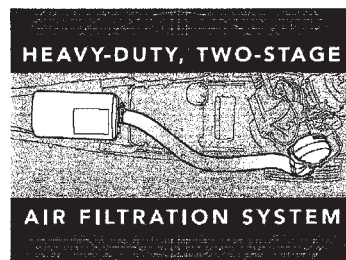
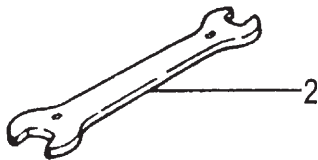
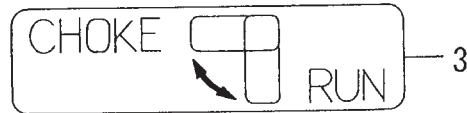
ITEM	PART NUMBER	DESCRIPTION	QTY	COMMENTS
14-1	33233110801	DRUM,CLUTCH	1	
14-2	99351040002	RING,STOP,C40	1	
14-3	99961620304	BEARING,BALL,#6203DD	1	
14-4	99350017002	RING,STOP,C17 EX	1	
14-5	33133110200	CASE,CLUTCH	1	
14-6	99210050062	WASHER,S,5	4	
14-7	99051050253	BOLT,HEX,5X25	4	
14-8	99023060121	BOLT,PLUS,6X12	1	
14-9	99201060011	WASHER,6	1	
14-10	99210060012	WASHER,S,6	1	
14-11	99023060161	BOLT,6X16 PLUS	1	
14-12	99051060303	BOLT,HEX.HOLE,6X30	1	
14-13	99210060062	WASHER,S,6	1	
14-14	99201060061	WASHER,6	1	
14-15	33833110200	WASHER,CLUTCH CASE	1	
14-16	34333111200	SHAFT,DRIVE	1	
14-17	34133111200	PIPE,DRIVE SHAFT	1	



GEAR CASE, SAFETY GUARD & BLADE • FIGURE 15

ITEM	PART NUMBER	DESCRIPTION	QTY	COMMENTS
15-21	30033111900	CASE,GEAR ASS'Y	1	
15-22	99351032002	RING,STOP,C-32 IN	1	
15-23	99350015002	RING,STOP,C-15 EX	1	
15-24	99961600200	BEARING,BALL,#6002	1	
15-25	99961600202	BEARING,BALL,#6002Z	1	
15-27	99101080013	NUT,8	1	
15-28	99051080303	BOLT,HEX.HOLE,8X30	1	
15-29	99023060121	BOLT,PLUS,6X12	1	
15-30	99023080121	BOLT,P,8X12	1	
15-31	31612101200	GASKET,DRAIN PLUG	1	
15-32	30033110210	CASE,GEAR	1	
15-33	44333111202	STAY,SIDE COVER	1	
15-34	99021060151	BOLT,6X15	2	
15-35	99210060012	WASHER,S,6	2	
15-36	99060080201	BOLT,WING,8X20	1	
15-37	99205080030	WASHER,8	1	
15-38	99201080011	WASHER,8	1	
15-41	44533110200	HOLDER,SAFETY COVER	1	
15-42	44133110210	COVER,SAFETY	1	
15-43	14133110200	WASHER,SAFETY COVER	1	
15-44	99350065002	RING,STOP,EX,C-65	1	
15-45	99961620100	BEARING,BALL,#6201	1	
15-47	30433110210	SHAFT,GEAR	1	
15-48	38233110200	HOLDER,BEARING	1	
15-49	99961620504	BEARING,BALL,#6205DD	1	
15-50	99351052002	RING,STOP,C-52 IN	1	
15-51	31033110200	HOLDER,CUTTER	1	
15-52	31433111200	WASHER,HOLDER	2	
15-53	43533110200	BLADE,TLE-500/550	1	
15-54	31133110202	CAP,CUTTER HOLDER	1	
15-57	99111120011	NUT,12	1	
15-58	4423311020	COVER,SIDE	1	
15-61	99415050121	SCREW,5X12/PS	3	
15-65	30133111000	SET,GEAR/PINION	1	

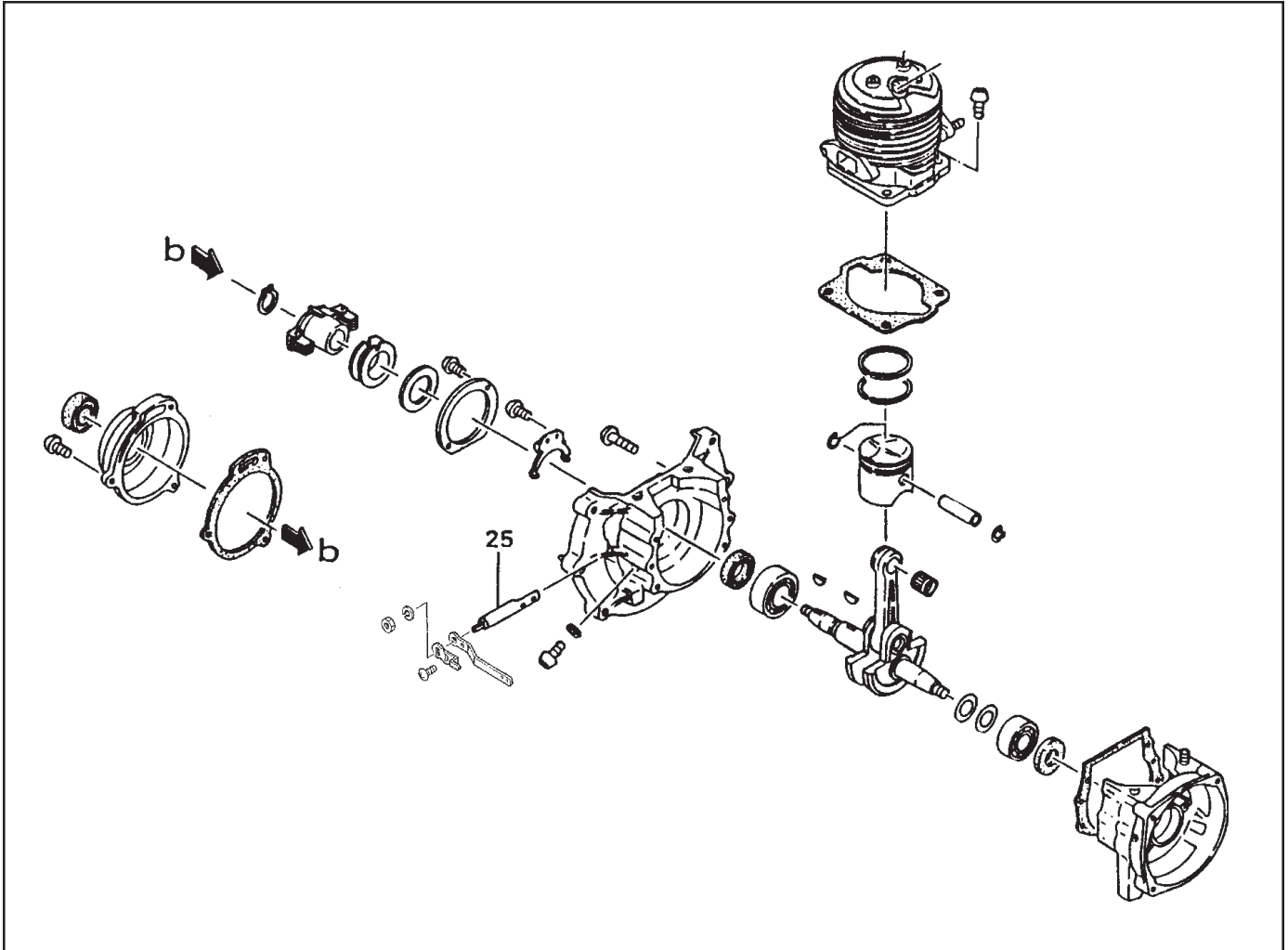
DANGER KEEP HANDS AND FEET AWAY — 2

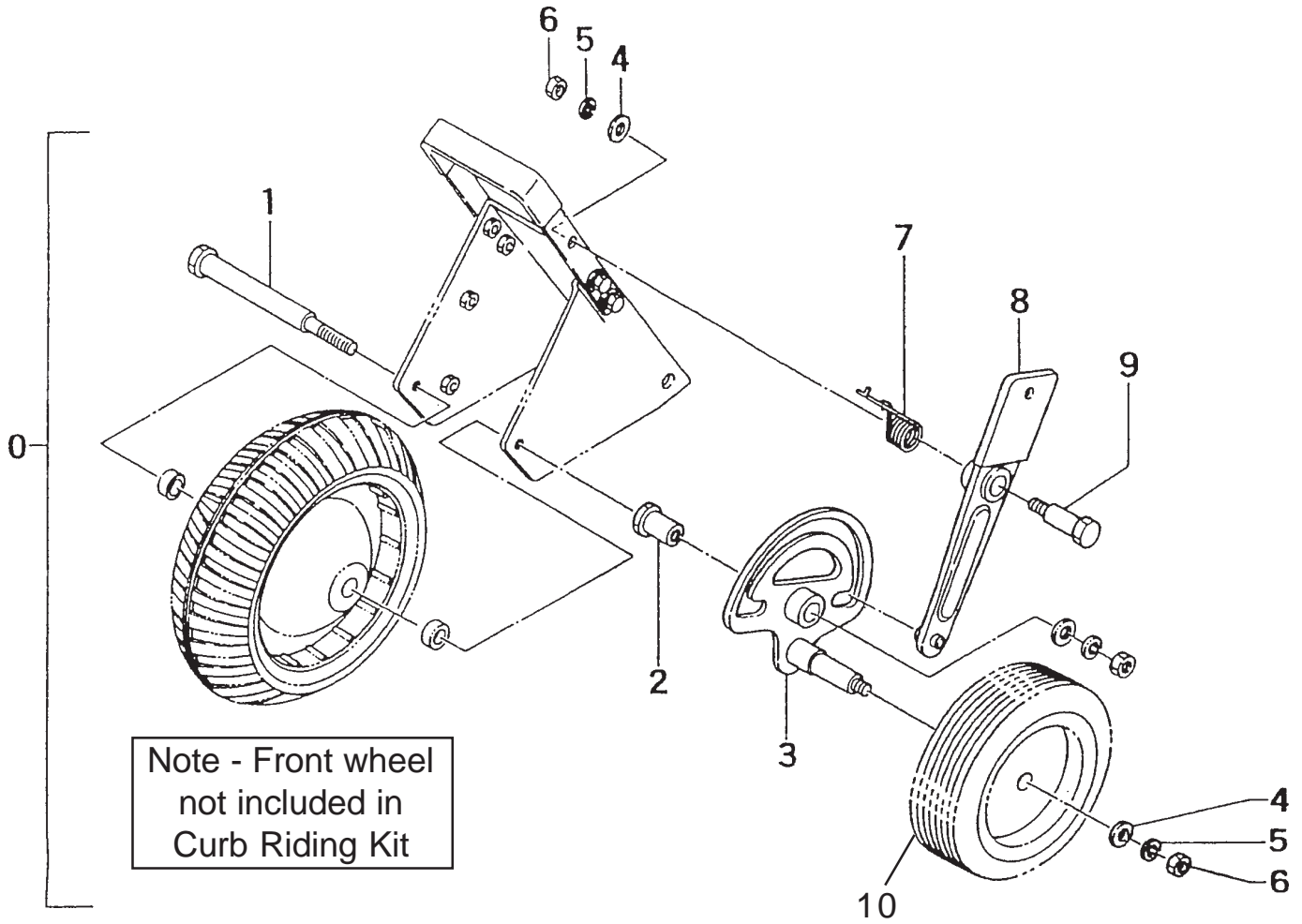


ITEM	PART NUMBER	DESCRIPTION	QTY	COMMENTS
16-1	75233900200	BAR, LOCKING	1	
16-2	81020000200	SPANNER, 13X17	1	
16-3	03629331501	SPANNER, COMBI	1	

ITEM	PART NUMBER	DESCRIPTION	QTY	COMMENTS
17-1	9063312720	DECAL, TLE-600	1	
17-2	91933111201	DECAL, CAUTION	1	
17-3	90810246200	DECAL, CHOKE	1	
17-4	9083312720	DECAL, AIR FILTER, TLE-600	1	
17-6	91833117200	DECAL, CAUTION	1	

Illustrated contents of SB-600 Short Block





ITEM	PART NUMBER	DESCRIPTION	QTY	COMMENTS
0	748011	CURB KIT,TLE-550,600	1	
1	28933111200	SHAFT,FRONT	1	
2	21833110200	NUT,SPECIAL	1	
3	22033110800	HOLDER,WHEEL	1	
4	99201080011	WASHER,8	2	
5	99210080012	WASHER,S,8	2	
6	99101080011	NUT,8	2	
7	22533111200	SPRING,STOPPER	1	
8	22333110800	STAY,STOPPER	1	
9	22633111200	BOLT,SPECIAL	1	
10	1203729480	WHEEL,6"	1	

FORWARD

This attachment is designed for TANAKA lawn edger, model TLE-550 to make curb-ride edging job easy (CR-KIT) and efficient. (Fig.1)

HOW TO INSTALL

(During installation, be careful not to hurt yourself with blades)

1. Replace original front shaft with one for curb-riding assembly.
2. Tighten the re-installed shaft with special nut. (Fig.2)
3. Put grease on and around special nut, then mount wheel holder on the special nut. Install washer, spring washer and nut on front shaft and tighten them firmly. (Fig.3)
4. Install special bolt, stopper stay and stopper spring and fix them with 8 mm washers and nut. (Fig.4)

NOTE: When installed, make sure the stopper stay pin is located in the radius slot of wheel holder.

5. Make sure shorter end of stopper spring is attached on front fender and the other end on stopper stay as shown in Fig.5.
6. Install curb-riding wheel on shaft holding the shaft and tire at the most front for easier installation (convexed side should face front wheel side). Then, place washer, spring washer and nut on the shaft and tighten the nut securely. (Fig.5)

HOW TO OPERATE

1. When you make a curb-riding cut, let curb-riding wheel down by moving stopper stay upwards. (Fig.6) If this is not enough, lift up carrying handle to help move curb-riding wheel down.
2. When you do not use curb-riding wheel, move stopper stay upwards and lift wheel to lock into place. (Fig.6)

NOTE: If stopper stay pin is not locked in place, the curb wheel will not work. If the curb wheel does not roll smoothly, apply some grease to the axle.

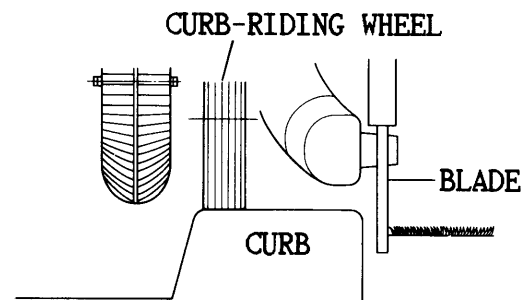


FIG. 1

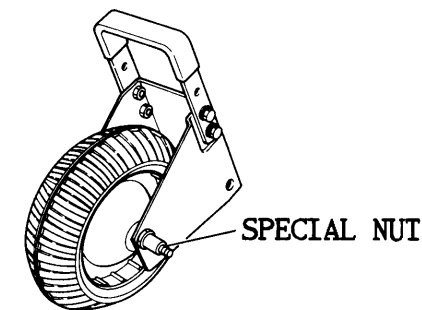


FIG. 2

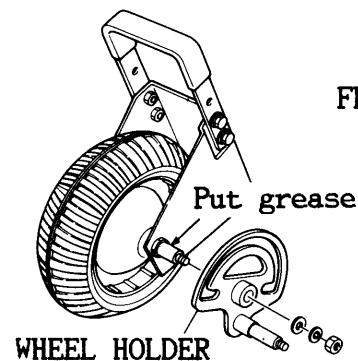


FIG. 3

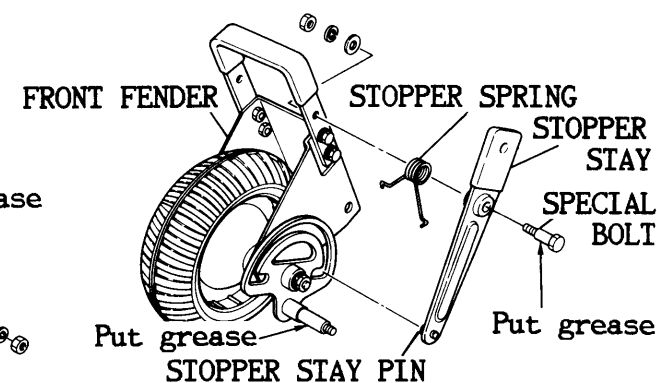


FIG. 4

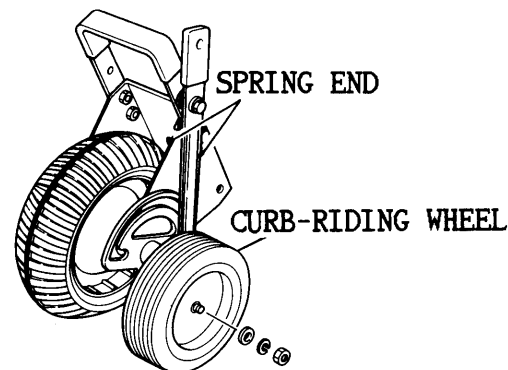


FIG. 5

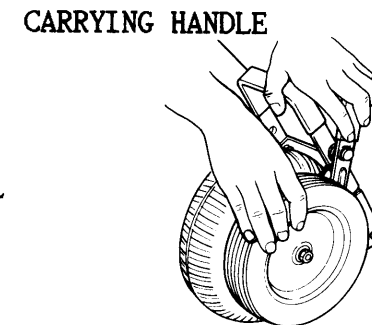
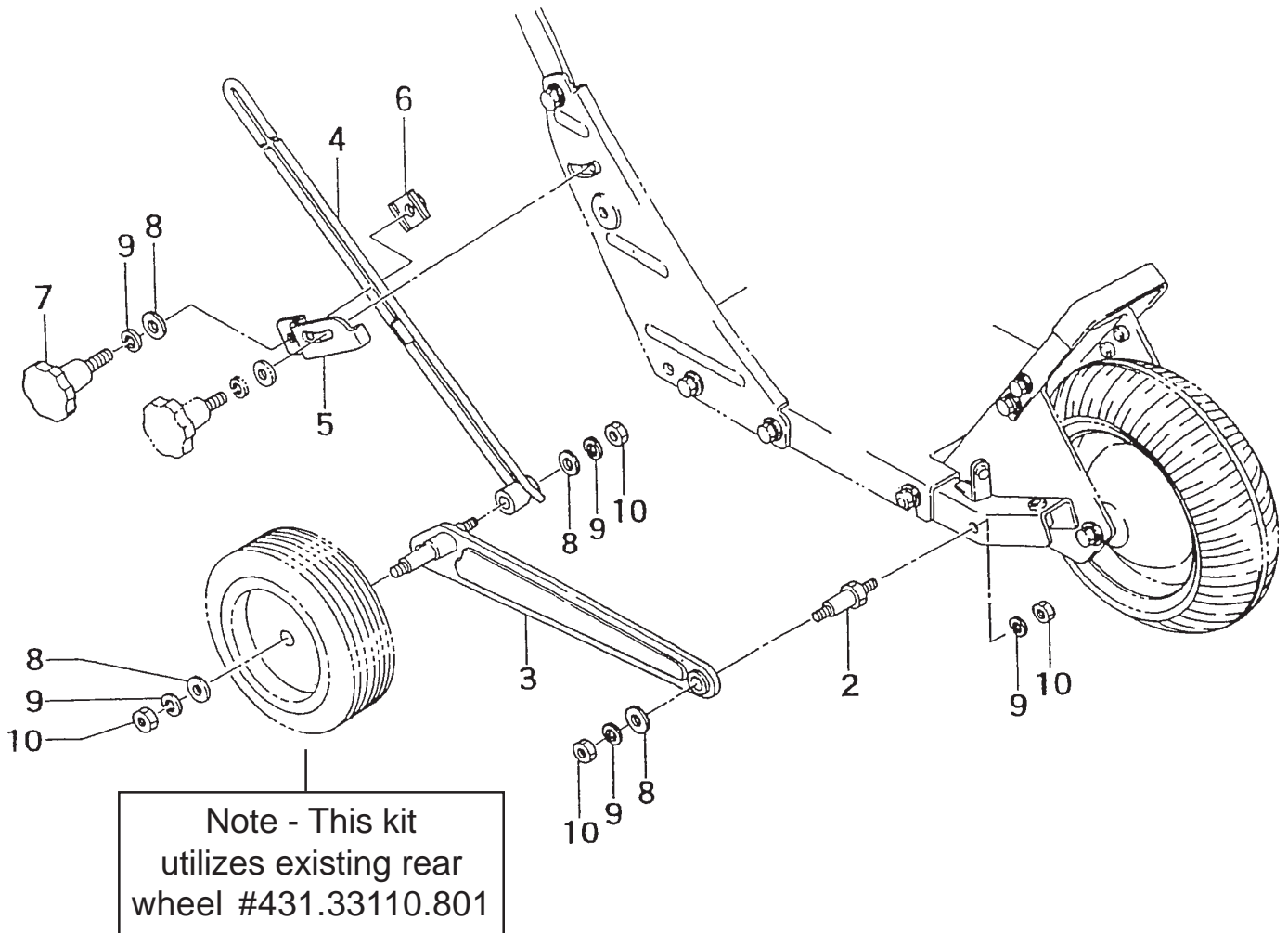


FIG. 6



ITEM	PART NUMBER	DESCRIPTION	QTY	COMMENTS
0	748012	CURB KIT,TLE-550,600	1	
2	38033111200	BOLT,SPECIAL	1	
3	20033110800	BRACKET,WHEEL	1	
4	20533110800	ADJUSTER,WHEEL	1	
5	20833111200	HOLDER,ADJUSTER	1	
6	20933111800	METAL,HOLDER	1	
7	21033110800	HANDLE,LOCK	1	
8	99201080011	WASHER,8	4	
9	99210080012	WASHER,S,8	5	
10	99101080011	NUT,8	4	

FORWARD

This attachment is designed for Tanaka lawn edger, model TLE-550 to make curb-riding job easy and efficient. This TLE-DW-KIT or drop wheel kit works up to 10 inch curb high with adjustable drop wheel. (Fig.1)

HOW TO INSTALL

1. Remove right side rear wheel (viewed from operating position) and its wheel shaft using a 17 mm spanner. (Fig.2)
2. Attach special bolt to adjust stay firmly using 8 mm washers and nut provided and apply some grease around the bolt. (Fig.3)
3. Install wheel bracket onto the greased bolt using 8 mm washers and nut provided. (Fig.3)
4. Install adjust holder to handle holder B using fitting knob and washers. (Fig.5)
5. Reinstall dismantled rear wheel onto mounting shaft of wheel bracket (Fig.5), then set wheel adjuster onto the shaft of wheel bracket from the opposite side of handle holder B using 8 mm washers and nut provided. (Fig.4)
6. Mount adjuster holder to handle holder B using washer, lock washer, and fitting knob. Mount wheel adjuster to the adjuster holder using the fitting knob. (Fig.5)
7. Mount holder metal on wheel adjuster with fitting knob while holding wheel adjuster against adjuster holder. (Fig.5)

HOW TO OPERATE

1. Loosen fitting knob by turning counterclockwise and adjust height of mounted drop wheel according to curb height. Then fix it strongly by turning the knob clockwise.

NOTE: Before operation recheck fixing knob for security. Also during operation see if it is not loose from time to time.

CAUTION !

1. When loading, unloading or transporting the machine, the drop wheel should be in the upward position so that the edger frame is level. (Fig.6)
2. Periodically apply grease to all moving parts.

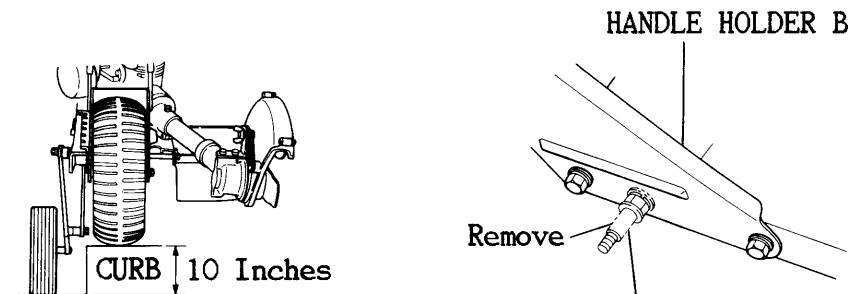


FIG. 1

FIG. 2

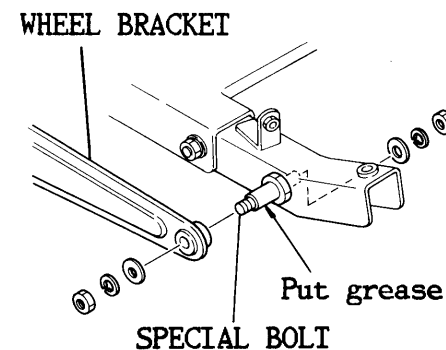


FIG. 3

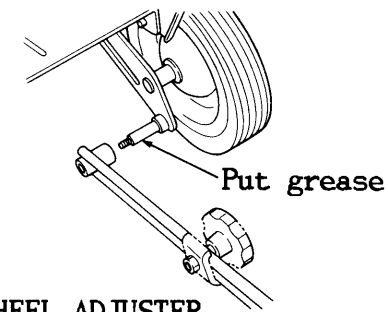


FIG. 4

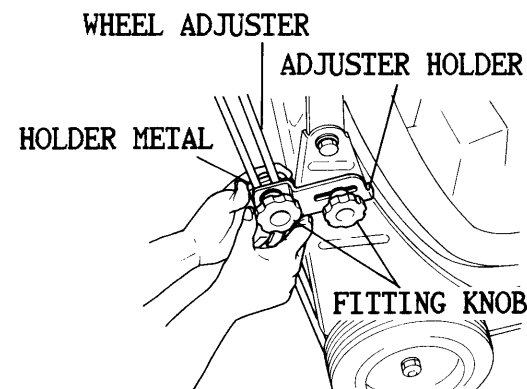


FIG. 5

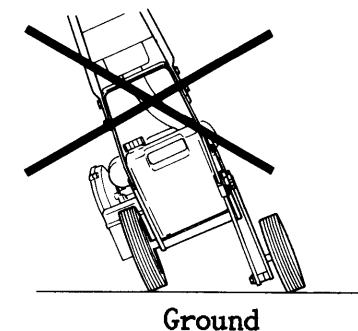


FIG. 6