

Tanaka *Illustrated Parts Manual*

Model Number:

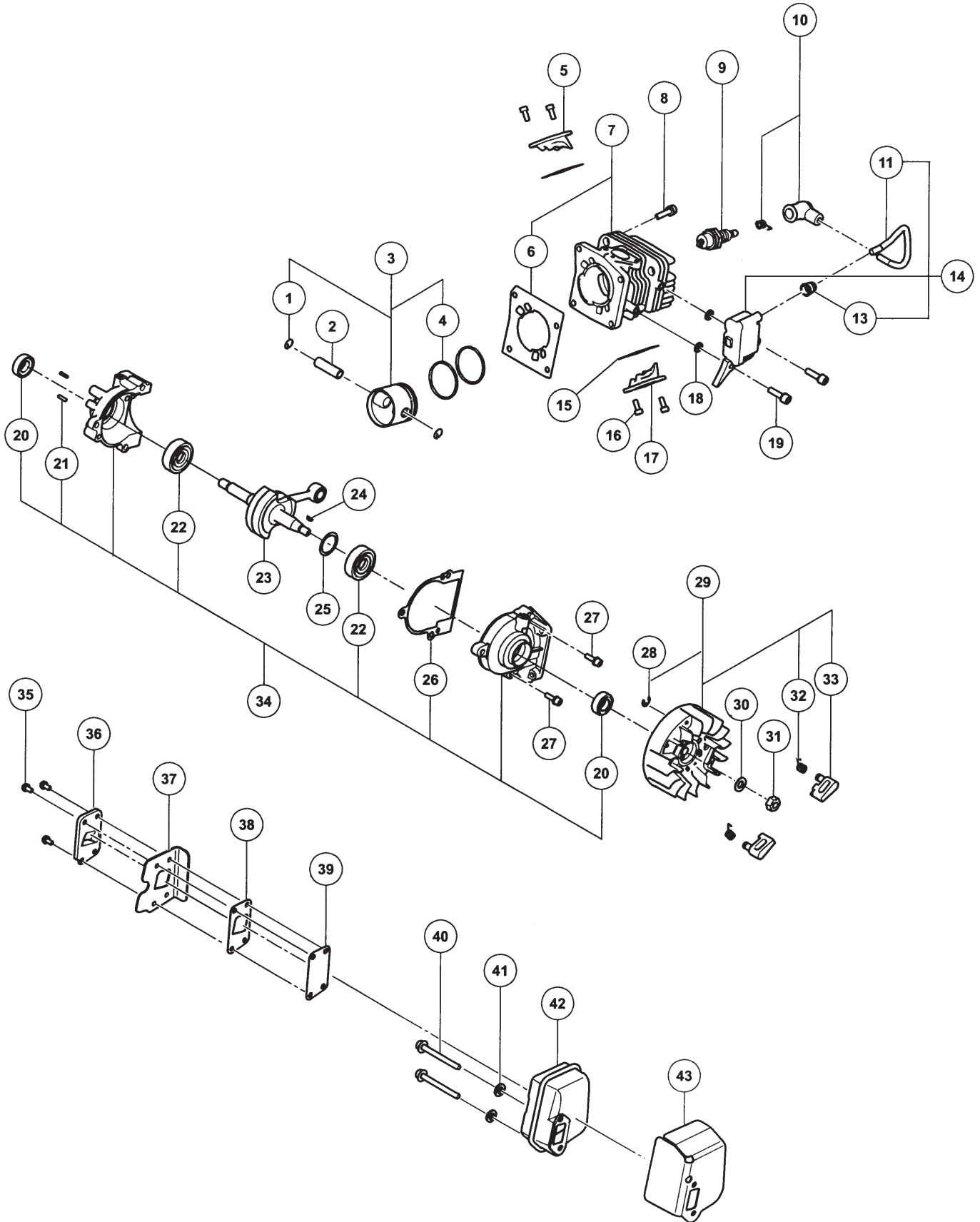
TCS-3301PFS

32cc CHAINSAW

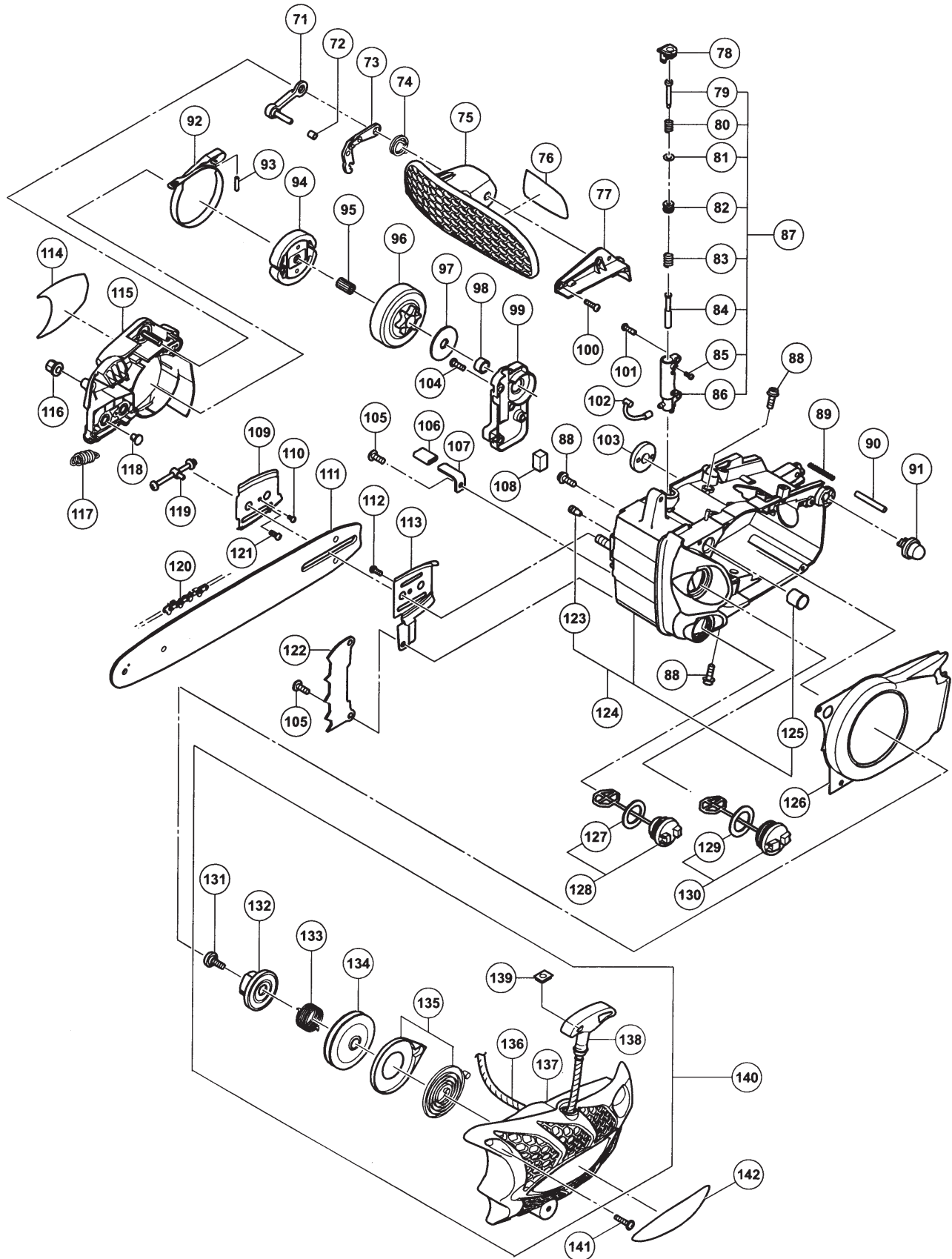
Date 6-20-09



Tanaka Power Equipment • 1028 4th Street SW, Bldg B • Auburn, WA 98001 • Phone: (253) 333-1200 • Fax: (253) 333-1212



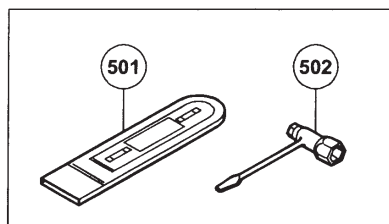
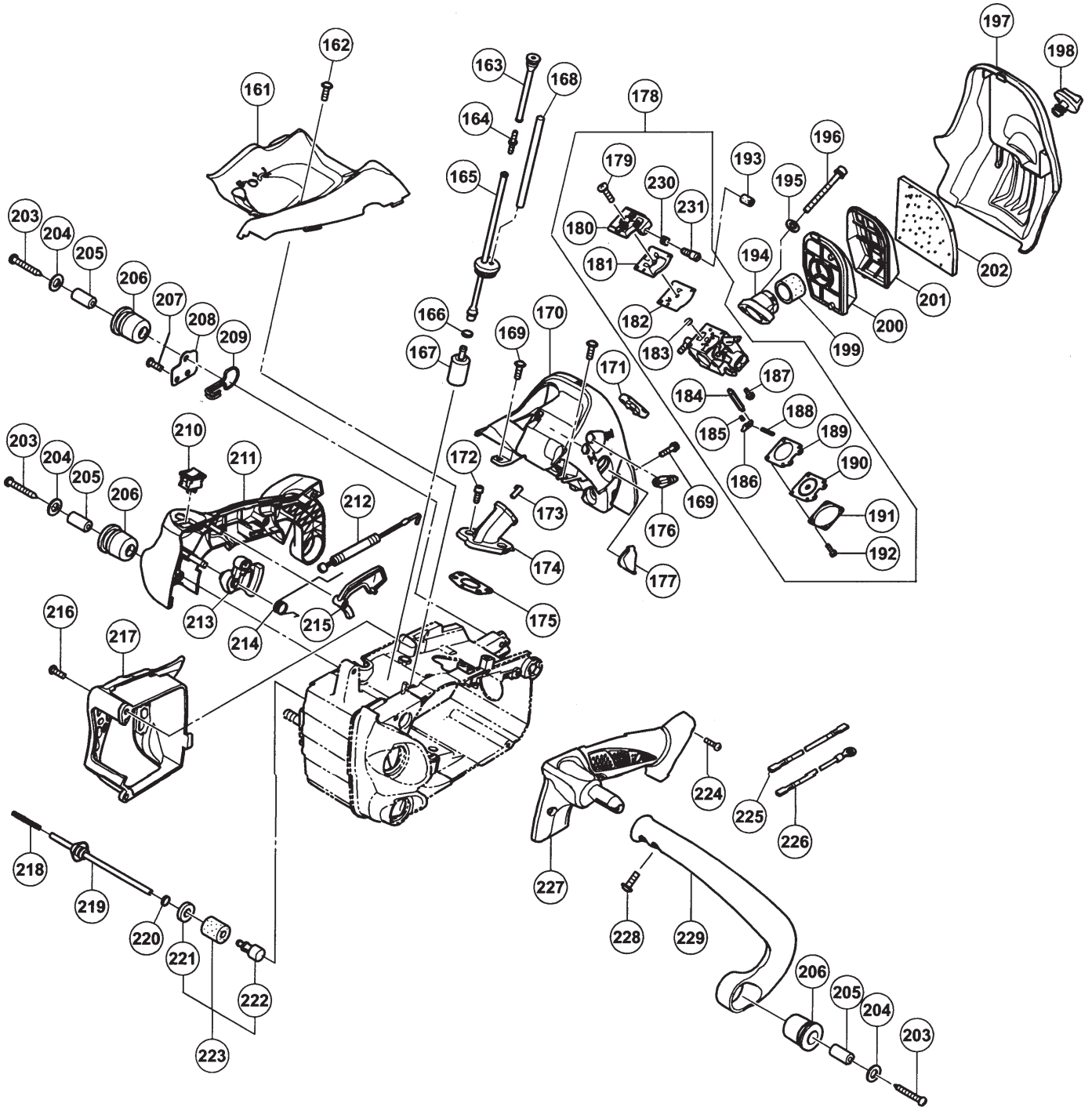
ITEM	PART NUMBER	DESCRIPTION	Qty	COMMENTS
1	03900000201	CIRCLIP	2	
2	6685079	PISTON PIN	1	
3	6685080	PISTON SET	1	Includes rings and circlips (not piston pin)
4	0410173020	PISTON RING	2	
5	6685082	SCAVENGING COVER (B)	1	
6	6685083	CYLINDER GASKET	1	
7	6685084	CYLINDER SET	1	Includes gasket
8	99461050204	BOLT,HEX,HOLE,5X20,S	4	
9	0181166021	PLUG,SPARK	1	
10	6685087	SPARK PLUG CAP ASSY	1	
11	6685088	HIGH TENSION WIRE	1	
13	5602051720	RUBBER CAP	1	
14	6685091	IGNITION COIL	1	
15	6685092	COVER GASKET	2	
16	99051040103	BOLT,HEX.HOLE,4X10	4	
17	6685094	SCAVENGING COVER (A)	1	
18	1820186A20	WASHER	1	
19	99464040184	BOLT,HEX 4x18WS	2	
20	99966122206	SEAL,OIL,#TC12227	2	
21	99905250980	ROLLER,NEEDLE,2.5X9.8	2	
22	99961620106	BEARING,BALL,#6201	2	
23	6685097	CRANKSHAFT	1	
24	06810100200	KEY,WOODRUFF,3X13X4.5	1	
25	0710406323	SHIM,CRANKSHAFT,0.2	V	
25	0710406324	SHIM,CRANKSHAFT,0.3	V	
26	6685100	CRANKCASE GASKET	1	
27	99461050204	BOLT,HEX,HOLE,5X20,S	3	
28	99355040001	RING,STOP	2	
29	1552054490	FLYWHEEL	1	
30	99201070011	WASHER,7	1	
31	06600000200	NUT,FLYWHEEL	1	
32	7900174020	SPRING,STARTER PAWL	2	
33	7880174020	PAWL,STARTER	2	
34	6685107	CRANKCASE ASSY	1	Includes 20-22 and 26
35	99416040101	SCREW,PS,4X10	4	
36	6685110	EXHAUST PIPE	1	
37	6685111	MUFFLER SHIELD	1	
38	6685112	FIXING PLATE,GAUZE	1	
39	6685113	MUFFLER GAUZE	1	
40	99051050503	BOLT,HEX,5X50	2	
41	99201050011	WASHER,5	2	
42	6685115	MUFFLER	1	
43	6685117	MUFFLER GASKET	1	



ITEM	PART NUMBER	DESCRIPTION	Qty	COMMENTS
71	3863290180	METAL,BRAKE HOLDING	1	
72	0313290120	COLLAR	1	
73	3793290180	LINK,BRAKE	1	
74	3883290020	SPRING,BRAKE LEVER	1	
75	6685123	BRAKE HANDLE	1	
76	6685124	DECAL,CAUTION	1	
77	6685126	BRAKE LINK COVER	1	
78	6685127	OIL ADJUST GROMMET	1	
79	6685128	OIL PUMP ADJUSTER	1	
80	6685129	ADJUSTER SPRING	1	
81	99201040011	WASHER,4	1	
82	6685130	OIL PUMP ADJUST CAP	1	
83	6685131	PUMP GEAR SPRING	1	
84	6685132	PUMP GEAR COMP	1	
85	99011030081	SCREW,3X8	1	
86	6685134	OIL PUMP CASE	1	
87	6685135	OIL PUMP CASE ASSY	1	
88	99054050155	SEAL LOCK BOLT M5x15	5	
89	6685137	PROTECTIVE COIL	1	
90	7000500421	PIPE,FUEL,2.5X4X210	1	
91	44225143800	PUMP,PRIMING ASS'Y	1	
92	3783290020	BAND,BRAKE	1	
93	99905300980	BEARING,NEEDLE	1	
94	2870174080	CLUTCH	1	
95	99962101301	BEARING,NEEDLE,101310	1	
96	31032710200	HOUSING,CLUTCH,3/8in	1	
97	35804050201	WASHER,CLUTCH	1	
98	5113290020	COLLAR,CRANKSHAFT	1	
99	6685147	OIL PUMP COVER	1	
100	99341040151	SCREW,4X15	3	
101	99414040141	SCREW,4X14/S	2	
102	6685150	OIL PIPE (A)	1	
103	6685151	SCREW GEAR	1	
104	99075045144	SCREW,TAPPING,4X14	3	
105	99073045144	SCREW,TAPPING 4.5x14	3	
106	70007105020	PIPE,VINYL	1	
107	12532710200	CATCHER,CHAIN	1	
108	5670175020	SPONGE,AIR VENT	1	
109	6685157	GUIDE PLATE (B)	1	
110	6685158	TAPPING SCREW D3x8	1	
111	120SDEA041	12" BAR	1	
111	140SDEA041	14" BAR	1	
112	99341040101	SCREW,TAPPING,4X10	1	
113	6685162	GUIDE PLATE (A)	1	
114	6685163	DECAL,CAUTION	1	
115	6685165	SIDE COVER	1	
116	12132530200	NUT,CLAMP,BAR	2	
117	3743290020	SPRING,BRAKE	1	
118	3017200020	GEAR,A	1	

ENGINE CASE, STARTER, CLUTCH, OILER • FIGURE 2

ITEM	PART NUMBER	DESCRIPTION	Qty	COMMENTS
119	1163291180	TENSIONER	1	
120	91VG045X	CHAIN,12",3/8	1	
120	91VG052X	CHAIN,14",3/8	1	
121	99341040101	SCREW,TAPPING,4X10	1	
122	6685172	BUCKING SPIKE	1	
123	56204060200	VALVE,AIR VENT,B	1	
124	6685174	ENGINE CASE ASSY	1	Includes 123 and 125
125	6290175090	INNER CAPP ASSY	1	
126	6685176	AIR DEFLECTOR	1	
127	5233252K20	GASKET,OIL TANK CAP	1	
128	6423252K90	CAP,OIL TANK ASSY	1	
129	6303252K20	GASKET,TANK CAP	1	
130	6685180	TANK CAP ASSY	1	
131	8390304520	SCREW,SET	1	
132	7590174M20	PLATE,CAM	1	
133	7580176120	SPRING	1	
134	7740176120	PULLEY,STARTER	1	
135	7780176190	SPRING,STARTER	1	
136	7830176120	ROPE,STARTER	1	
137	6685187	FAN CASE	1	
138	7850176120	HANDLE,STARTER	1	
139	7950406320	STOPPER,ROPE	1	
140	6685190	STARTER ASSY	1	Includes 131-139
141	99072045204	SCREW,TAPPING,4.5X20	4	
142	6685192	DECAL	1	



ITEM	PART NUMBER	DESCRIPTION	Qty	COMMENTS
161	6685194	ENGINE CASE COVER	1	
162	99075045144	SCREW,TAPPING,4X14	3	
163	6780175020	PIPE,RUBBER	1	
164	4973297020	JOINT,PIPE	1	
165	6685197	SHIELD TUBE ASSY	1	
166	6685198	CLIP	1	
167	6750404280	FILTER,FUEL	1	
168	7000250421	PIPE,FUEL,2.5X4X210	1	
169	99073045144	SCREW,TAPPING 4.5x14	3	
170	6685201	AIR FILTER BODY	1	
171	4003297020	SPACER,INLET MANIFOLD	1	
172	99461040124	BOLT,HEX,4X12	2	
173	4313297020	GUIDE PLUS	1	
174	6685204	INTAKE	1	
175	6685205	INTAKE GASKET	1	
176	6685206	CHOKE LEVER	1	
177	6685207	ADJUSTER CAP	1	
178	6685208	CARBURETOR ASSY	1	Includes 179-192, 230 and 231
179	51425001200	SCREW,SET	1	
180	57525028200	BODY,PUMP	1	
181	57725007200	GASKET,PUMP	1	
182	57625006200	DIAPHRAGM,PUMP	1	
183	57825007200	SCREEN,INLET	1	
184	6032501220	NEEDLE VALVE	1	
185	6685216	VALVE SPRING	1	
186	47325001200	HINGE,VALVE	1	
187	54625001200	SCREW,SET,HINGE PIN	1	
188	60525001200	PIN,HINGE	1	
189	4752503820	GASKET,DIAPHRAGM	1	
190	6684690	METERING DIAPHRAGM	1	
191	47625004200	COVER,DIAPHRAGM	1	
192	54825012200	SCREW,SET	4	
193	1913297020	GROMMET,IDLE	1	
194	6685225	AIR FILTER BASE	1	
195	99200050061	WASHER,SMALL,5	2	
196	99051050503	BOLT,HEX,5X50	2	
197	6685227	AIR FILTER COVER	1	
198	6685228	AIR FILTER COVER KNOB	1	
199	6685229	AIR FILTER SPONGE (B)	1	
200	6685230	AIR FILTER (A)	1	
201	6685231	AIR FILTER (B)	1	
202	6685232	AIR FILTER SPONGE (A)	1	
203	6685233	TAPPING SCREW D5x45	3	
204	6685234	WASHER,SMALL,5	3	
205	6685235	COLLAR	3	
206	6685236	CUSHION	3	
207	99073045144	TAPPING SCREW D4.5x14	2	
208	6685237	HOOK HOLDER PLATE	1	
209	6685238	HOOK	1	

ITEM	PART NUMBER	DESCRIPTION	Qty	COMMENTS
210	1700406380	BUTTON,STOP	1	
211	6685240	REAR HANDLE (B)	1	
212	6685241	THROTTLE WIRE	1	
213	6685242	THROTTLE LEVER	1	
214	6685243	THROTTLE LEVER SPRING	1	
215	6685244	TRIGGER LOCKOUT	1	
216	99075045144	SCREW,TAPPING,4X14	2	
217	6685245	MUFFLER COVER	1	
218	51211600200	COIL,PROTECTION	1	
219	2230650090	SHIELD TUBE ASSY	1	
220	6685198	CLIP	1	
221	99201050011	WASHER 5	1	
222	48632710200	BODY,OIL FILTER	1	
223	4863271090	OIL FILTER ASSY	1	
224	6685250	TAPPING SCREW D4x15	3	
225	6685251	WIRE,325mm	1	
226	6685252	WIRE,180mm	1	
227	6685253	REAR HANDLE (A)	1	
228	99073050164	SCREW,TAPPING,5X16	2	
229	6685254	FRONT HANDLE	1	
230	46325006200	SPRING,IDLE ADJUST	1	
231	46225016200	SCREW,IDLE ADJUST	1	
501	94332713200	COVER,BAR,12"	1	
501		COVER,BAR,14"	1	
502	01329325400	SPANNER,BOX,10X19	1	