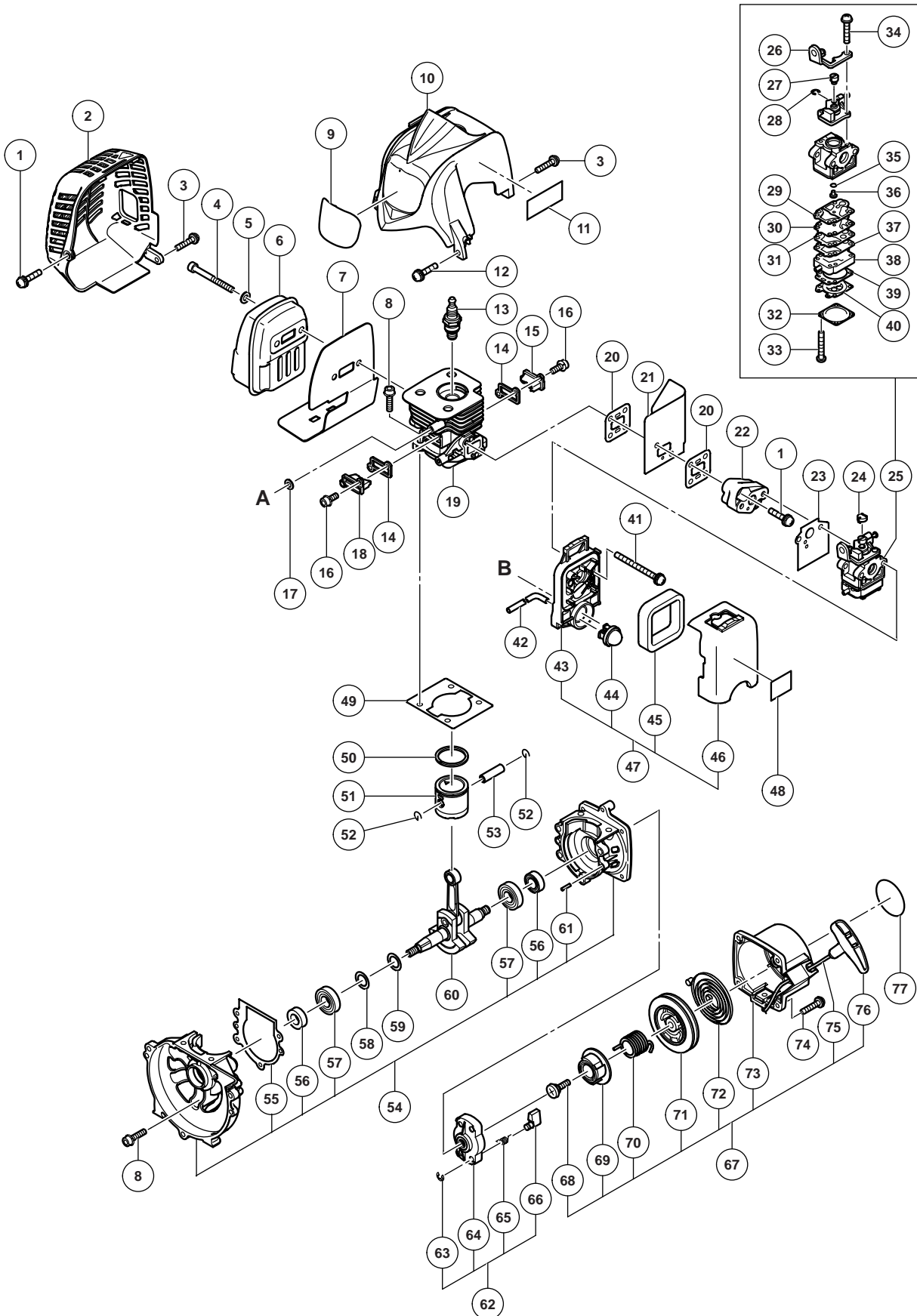


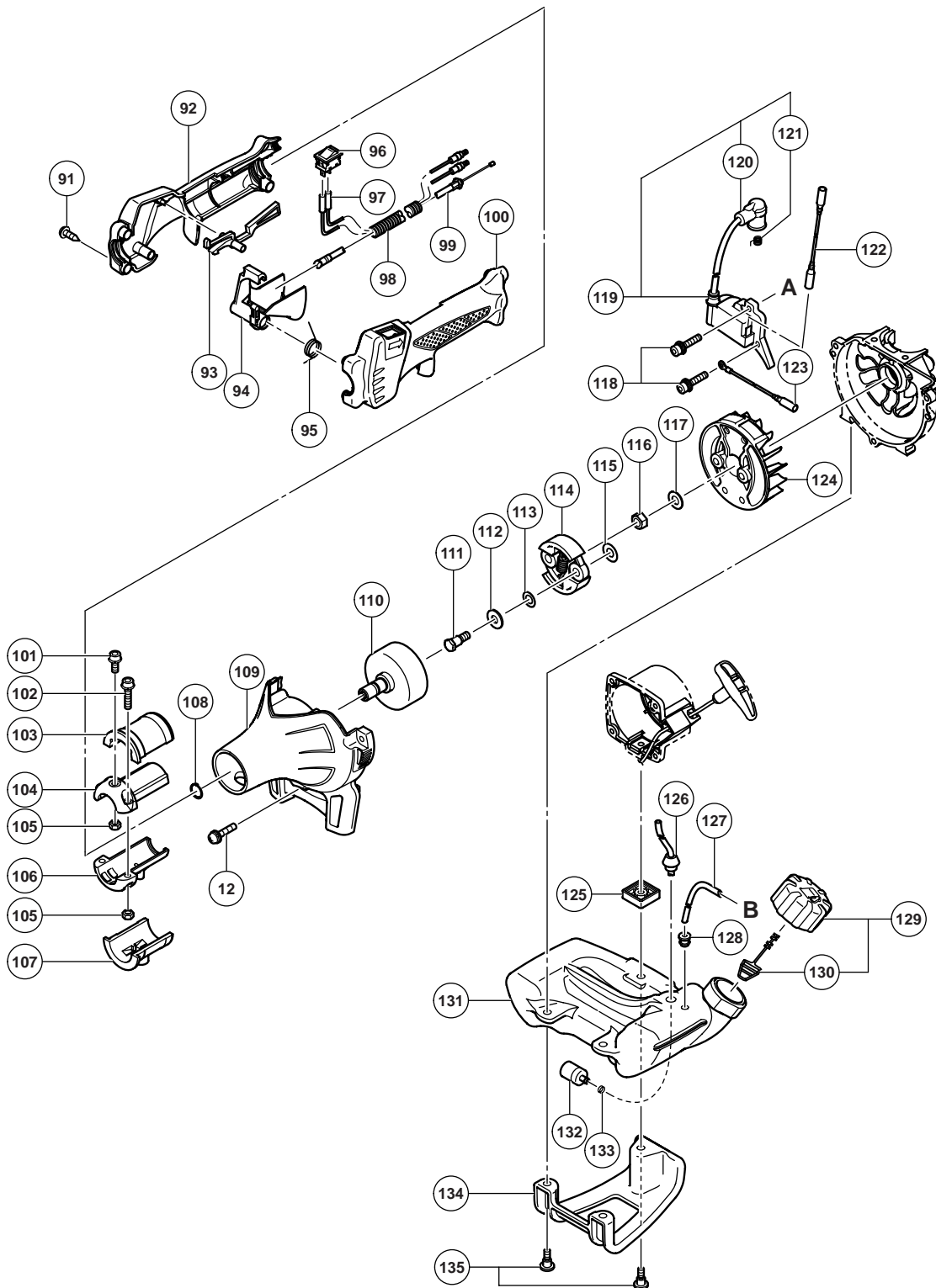
ENGINE TOOL PARTS LIST

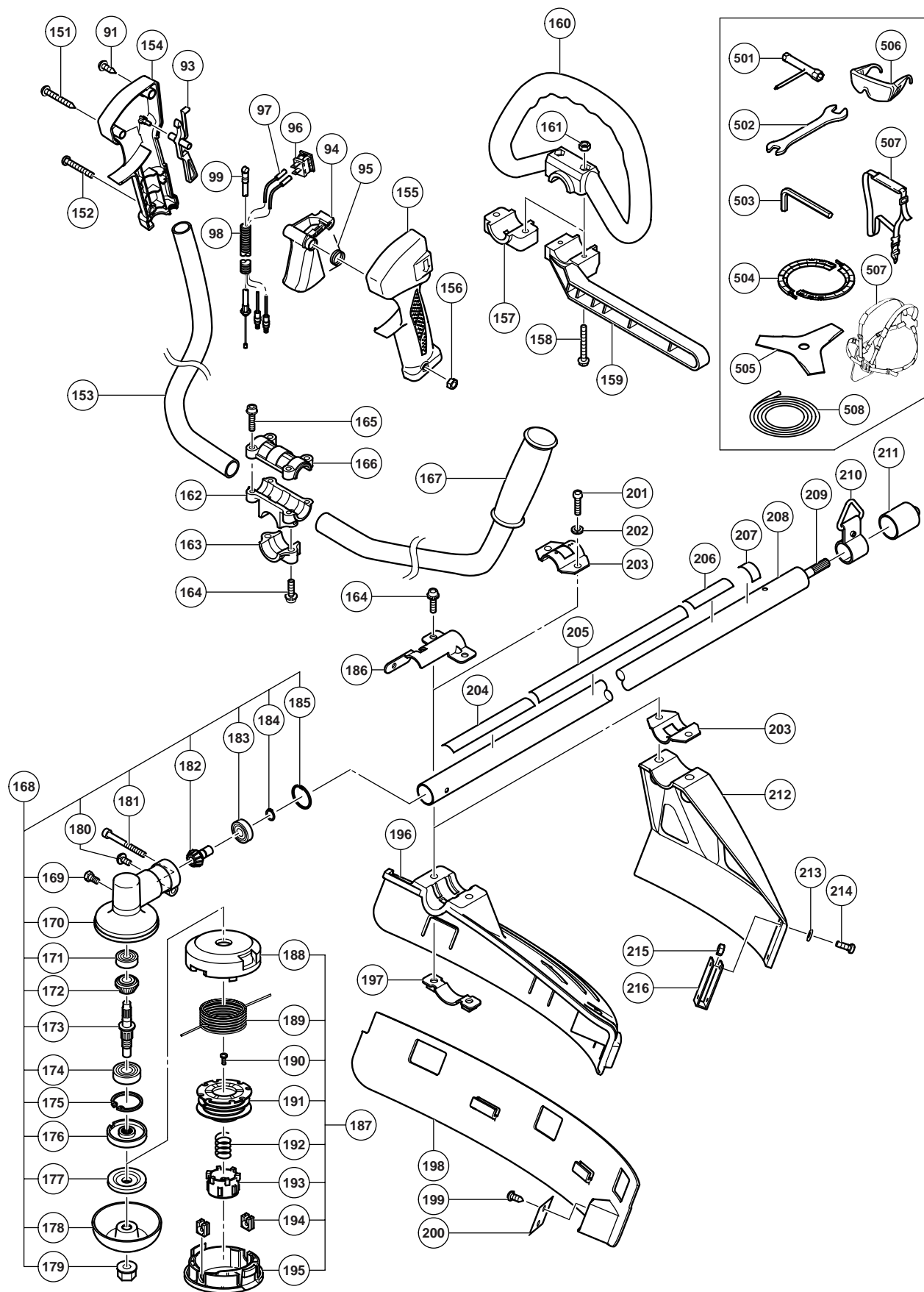
ENGINE BRUSH CUTTER Model TCG 24EASPSL

2012-02-02

(E1a)







PARTS

CG 24EASP

ITEM NO.	CODE NO.	DESCRIPTION	NO. USED	REMARKS
1	880-734	MACHINE SCREW (W/WASHERS) M5 X 25 (BLACK)	3	
2	669-8479	MUFFLER COVER	1	
3	307-606	MACHINE SCREW (W/WASHERS) M4 X 20 (BLACK)	3	
4	669-8384	HEX. SOCKET HD. BOLT M6 X 65	2	
5	949-432	BOLT WASHER M6 (10 PCS.)	2	
6	669-8476	MUFFLER (B)	1	
7	669-6553	HEAT PROTECTION PANEL	1	
8	669-8386	HEX. SOCKET HD. BOLT (W/SP.WASHER) M5 X 18	8	
9		HITACHI LABEL	1	
* 10	669-8466	CYLINDER COVER	1	
* 10	669-8467	CYLINDER COVER	1	FOR USA, CAN
11		CAUTION LABEL	1	
12	880-734	MACHINE SCREW (W/WASHERS) M5 X 25 (BLACK)	2	
* 13	668-4584	SPARK PLUG BMR7A	1	
* 13	668-5052	SPARK PLUG CJ6	1	FOR USA, CAN
14	669-8468	COVER PACKING	2	
15	669-8469	SCAVENGING COVER (A)	1	
16	669-8385	HEX. SOCKET HD. BOLT M4 X 12	4	
17	668-4600	WASHER	2	
18	669-8470	SCAVENGING COVER (B)	1	
19	669-8465	CYLINDER	1	
20	668-4865	INSULATOR GASKET	2	
21	669-8516	FLASH PAN	1	
22	669-8387	CARBURETOR INSULATOR	1	
23	669-8405	CARBURETOR PACKING	1	
24	668-4628	SWIVEL CAP	1	
25	669-8474	CARBURETOR ASS'Y	1	INCLUD. 26-40
26		BRACKET CABLE	1	
27		SWIVEL	1	
28		RING SPRING RETAINING	1	
29		GASKET PUMP	1	
30		DIAPHRAGM PUMP	1	
31		PLATE PUMP	1	
32		COVER-METERING DIAPHRAGM	1	
33		SCREW (A)	1	
34		SCREW (B)	1	
35		O-RING	1	
36		JET	1	
37		GASKET PLATE	1	
38		BODY ASS'Y PUMP	1	
39		GASKET METERING DIAPHRAGM	1	
40		DIAPHRAGM ASS'Y METERING	1	
41	307-224	MACHINE SCREW (W/WASHERS) M5 X 60 (BLACK)	2	
42	669-6962	FUEL PIPE	1	
43		AIR CLEANER HOUSING	1	
44	668-5139	PRIMING PUMP COMP.	1	
45	669-0347	CLEANER ELEMENT	1	
46		CLEANER COVER	1	
47	669-6549	AIR CLEANER ASS'Y	1	INCLUD. 43-46
* 48		START LABEL (A)	1	FOR USA, CAN

PARTS

CG 24EASP

ITEM NO.	CODE NO.	DESCRIPTION	NO. USED	REMARKS
49	668-4587	CYLINDER GASKET	1	
50	669-8404	PISTON RING	1	
51	669-8368	PISTON	1	
52	668-4590	PISTON PIN CIR CLIP	2	
53	668-4591	PISTON PIN	1	
54	668-4606	CRANK CASE ASS'Y	1	INCLUD. 55-57, 61
55	668-4609	CRANK CASE GASKET	1	
56	668-4607	OIL SEAL TB 12227	2	
57	669-5535	BALL BEARING 6001 C3	2	
58	669-6946	SHIM	1	
59	669-6945	SHIM	1	
60	669-6533	CRANK SHAFT COMP.	1	
61	669-6947	KNOCK PIN 4 X 12	2	
62	668-4681	STARTER PULLEY ASS'Y	1	INCLUD. 63-66
63	668-4683	STOP RING E-5	2	
64		STARTER PULLEY	1	
65	668-4684	STARTER PAWL SPRING	2	
66	668-4685	STARTER PAWL	2	
67	668-4672	RECOIL STARTER BODY ASS'Y	1	INCLUD. 68-73, 75, 76
68	668-4679	SET SCREW	1	
69	668-4678	CAM PLATE	1	
70	668-4677	DUMPER SPRING	1	
71	668-4676	STARTER ROPE REEL	1	
72	668-4675	RECOIL SPRING	1	
73	668-4673	RECOIL STARTER BODY COMP.	1	
74	669-8398	SCREW (W/WASHERS) M4 X 16	1	
75	668-4674	STARTER ROPE 3.5 X 860	1	
76	668-4680	STARTER HANDLE	1	
77		NAME PLATE	1	
* 91	305-812	TAPPING SCREW (W/FLANGE) D4 X 16 (BLACK)	4	
* 91	305-812	TAPPING SCREW (W/FLANGE) D4 X 16 (BLACK)	1	FOR EUROPE (S)
* 92	669-6487	HANDLE (B)	1	FOR EUROPE (SL)
* 92	669-6942	HANDLE (B)	1	FOR USA, CAN
* 93	669-6490	LOCK LEVER	1	FOR EUROPE
94	669-6488	LEVER	1	
95	669-6489	SPRING (A)	1	
96	669-6940	STOP SWITCH	1	
* 97	669-6491	STOP SWITCH CORD	2	
* 97	669-6592	STOP SWITCH CORD	2	FOR EUROPE (S)
* 98	669-6967	PROTECTION TUBE	1	
* 98	669-6594	PROTECTION TUBE	1	FOR EUROPE (S)
* 99	669-6560	THROTTLE WIRE COMP.	1	
* 99	669-6593	THROTTLE WIRE COMP.	1	FOR EUROPE (S)
* 100	669-6486	HANDLE (A)	1	FOR EUROPE (SL)
* 100	669-6941	HANDLE (A)	1	FOR USA, CAN
101	668-4667	HEX.HOLE BOLT M5 X 12/S	1	
102	669-5492	HEX. HOLE BOLT 5 X 22/S	2	
103	669-6963	ANTI VIBE RUBBER (A)	1	
104	669-6542	PIPE HOLDER (A)	1	
105	302-012	NUT M5 (BLACK)	3	

PARTS

CG 24EASP

ITEM NO.	CODE NO.	DESCRIPTION	NO. USED	REMARKS
106	669-6543	PIPE HOLDER (B)	1	
107	669-6964	ANTI VIBE RUBBER (B)	1	
108	939-542	RETAINING RING FOR D12 SHAFT (10 PCS.)	1	
* 109	669-8471	FAN CASE	1	
* 109	669-8472	FAN CASE	1	FOR USA, CAN
110	668-4663	CLUTCH DRUM COMP.	1	
111	669-6469	STEP BOLT	2	
112	668-4648	BENT WASHER 8	2	
113	669-6546	CLUTCH PLATE (A)	2	
114	669-6948	CLUTCH	1	
115	669-6547	CLUTCH WASHER (B)	2	
116	668-5337	FLYWHEEL NUT	1	
117	323-212	BOLT WASHER M8 (BLACK)	1	
118	669-8388	HEX. SOCKET HD. BOLT (W/WASHERS) M4 X 18	2	
119	669-6929	IGNITION COIL ASS'Y	1	INCLUD. 120, 121
120	669-8435	PLUG CAP	1	
121	669-8436	METAL FITTING OF PLUG CAP	1	
122	669-6544	CORD	1	
123	669-6545	EARTH CORD	1	
124	669-6928	MAGNETO ROTOR COMP.	1	
125	669-8496	SPACER	1	
126	669-6551	SHIELD TUBE	1	
127	669-8401	FUEL PIPE (PINK)	1	
128	669-6970	RETURN GROMMET	1	
129	669-8402	FUEL TANK CAP ASS'Y	1	INCLUD. 130
130		TANK CAP CHAIN	1	
* 131	669-8475	TANK	1	
* 131	669-8377	TANK	1	FOR USA, CAN
132	668-4620	PUMP FILTER BODY COMP.	1	
133	669-6949	CLIP	1	
134	669-4787	STAND	1	
135	669-8512	BOLT (W/FLANGE) L23.8	3	
* 151	323-837	TAPPING SCREW (W/FLANGE) D4 X 30	1	FOR EUROPE (S)
* 152	323-041	MACHINE SCREW M5 X 30 (BLACK)	1	FOR EUROPE (S)
* 153	669-8637	HANDLE RIGHT	1	FOR EUROPE (S)
* 154	669-6590	HANDLE (B)	1	FOR EUROPE (S)
* 155	669-6588	HANDLE (A)	1	FOR EUROPE (S)
* 156	302-012	NUT M5 (BLACK)	1	FOR EUROPE (S)
* 157	669-6972	HANDLE HOLDER (A)	1	FOR USA, CAN
* 158	669-6974	BOLT (BLACK) M6	2	FOR EUROPE (SL), USA, CAN
* 159	669-6973	BARRIER	1	FOR EUROPE (SL)
* 160	669-6975	LOOP HANDLE	1	FOR EUROPE (SL), USA, CAN
* 161	949-556	NUT M6 (10 PCS.)	2	FOR EUROPE (SL), USA, CAN
* 162	669-6577	HANDLE HOLDER (B)	1	FOR EUROPE (S)
* 163	669-6578	HANDLE HOLDER (C)	1	FOR EUROPE (S)
* 164	668-4714	HEX.HOLE BUTTON SCREW 6 X 25S	4	FOR EUROPE (S)
* 164	668-4714	HEX.HOLE BUTTON SCREW 6 X 25S	2	FOR EUROPE (SL)
* 165	668-4709	HEX.HOLE BOLT M5 X 25/S	4	FOR EUROPE (S)
* 166	669-6576	HANDLE HOLDER (A)	1	FOR EUROPE (S)
* 167	669-8638	HANDLE LEFT	1	FOR EUROPE (S)

PARTS

CG 24EASP

ITEM NO.	CODE NO.	DESCRIPTION	NO. USED	REMARKS
* 168	669-6485	GEAR CASE ASS'Y 3BB (A)	1	INCLUD. 169-185
* 168	669-6976	GEAR CASE ASS'Y 3BB (B) SET	1	INCLUD. 169-176, 180-185 FOR USA, CAN
169	669-6974	BOLT (BLACK) M6	1	
170		GEAR CASE D24	1	
171		BB.626	1	
172		GEAR	1	
173		GEAR SHAFT D24	1	
174		BB.600DDU	1	
175		C-RING D26	1	
176	669-6977	CUTTER HOLDER (A)	1	
* 177		CUTTER HOLDER (B)	1	FOR EUROPE
* 178		NUT COVER	1	FOR EUROPE
* 179		LEFT HAND NYLON NUT M10	1	FOR EUROPE
180		SCREW W/SPRING WASHER M5	1	
181		HEX. BOLT M5	1	
182		PINION	1	
183		BB.609Z	1	
184		GRIP RING D9	1	
185		C-RING D24	1	
* 186	669-6494	COVER BRACKET	1	FOR EUROPE
* 187	669-6454	NYLON HEAD ASS'Y	1	INCLUD. 188-195
* 187	669-8639	NYLON HEAD ASS'Y	1	INCLUD. 188-195 FOR USA, CAN
188	669-8937	COVER	1	
189		NYLON CORD	1	
190		SET SCREW	1	
191	669-8939	REEL	1	
192	669-8941	RETURN SPRING	1	
193	669-8940	BUTTON	1	
194	669-8942	CORD GUIDE	2	
195	669-8938	CASE	1	
* 196	669-6980	COVER	1	FOR EUROPE
* 197	669-6951	SAFETY COVER HOLDER	1	FOR EUROPE
* 198	669-6950	COVER GUARD	1	FOR EUROPE
* 199	668-4751	TAPPING SCREW 4 X 14	1	FOR EUROPE
* 200	668-4750	KNIFE	1	FOR EUROPE
* 201	668-5064	HEX. SOCKET HD. BOLT (W/BUTTON) M6 X 20	2	FOR USA, CAN
* 202	949-455	SPRING WASHER M6 (10 PCS.)	2	FOR USA, CAN
* 203	669-6978	COVER BRACKET	2	FOR USA, CAN
* 204	668-5061	LEVEL MARK	1	FOR USA, CAN
* 205	668-4850	CAUTION MARK 9900RPM	1	
* 205		CAUTION MARK USA	1	FOR USA, CAN
* 206	668-4852	LEVEL MARK	1	FOR EUROPE (SL), USA, CAN
* 207	668-4851	LEVEL MARK	1	FOR EUROPE
208	669-6558	MAIN PIPE COMP.	1	
209	669-8514	DRIVE SHAFT	1	
* 210	669-6493	HANGER	1	FOR EUROPE
* 211	669-8515	CAP (A)	1	FOR EUROPE
* 212	669-6583	SAFETY COVER COMP.	1	FOR USA, CAN
* 213	323-210	BOLT WASHER M4 (BLACK)	2	FOR USA, CAN
* 214	668-5068	MACHINE SCREW (W/SP. WASHER) M4 X 12	2	FOR USA, CAN

