

B70

Tanaka Illustrated Parts Manual

Model Number:

TBC-280PF

GRASS TRIMMER

Date: 2012-11-01

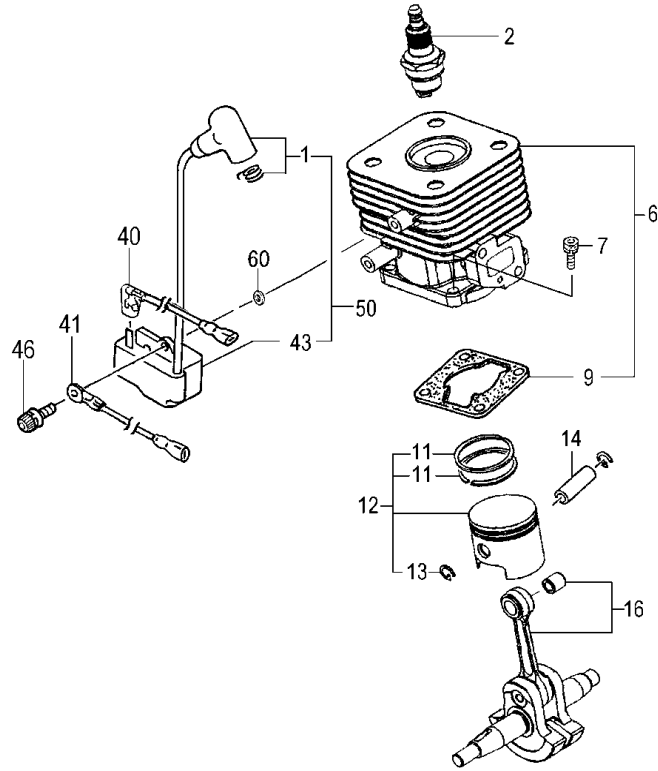


Hitachi Power Tools

3950 Steve Reynolds Blvd. Norcross, GA. 30093 Tel: Tech Support: 866.775.9429 Customer Service: 800.706.7337

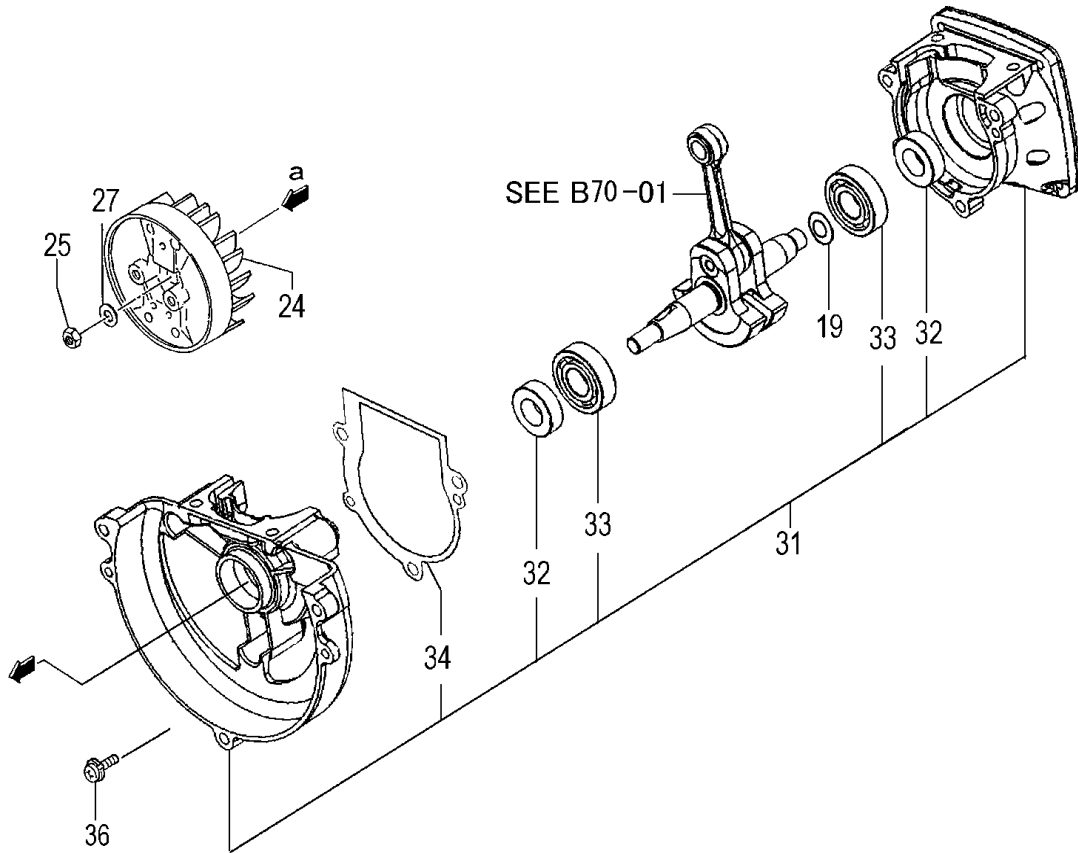
www.tanaka-usa.com

B70-01 CYLINDER/PISTON/CRANK SHAFT



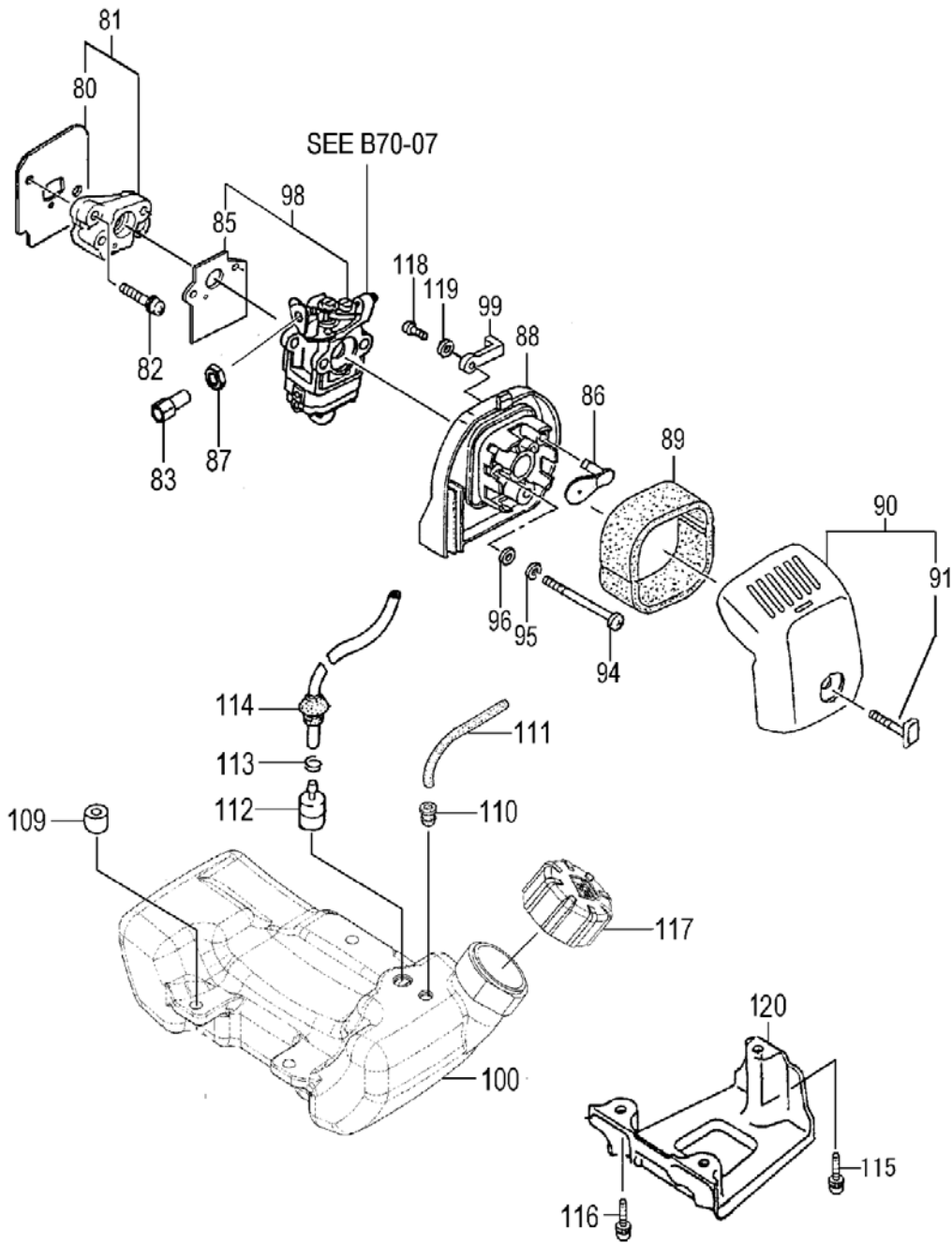
REF. NUMBER	SERVICE CODE No.	DESCRIPTION	Q'TY	REMARKS /SERIAL NO.
B70-01 CYLINDER/PISTON/CRANK SHAFT				
001	668-4894	PLUG CAP	1	
002	668-5771	SPARK PLUG CJ8	1	
006	668-5495	CYLINDER SET	1	
007	668-4586	HEX.HOLE BOLT M5X18/S	4	
009	668-4896	CYLINDER GASKET	1	
011	668-6121	PISTON RING	2	
012	668-5902	PISTON SET	1	
013	668-4590	CIR CLIP	2	
014	668-4591	PISTON PIN	1	
016	668-6219	CRANK SHAFT COMP.	1	
040	668-7836	STOP CORD B 190M	1	
041	668-8443	EARTH CORD B 165M	1	
043	668-7687	IGNITION COIL COMP.	1	
046	668-4599	HEX.HOLE BOLT M4X18/WS	2	
050	668-7688	IGNITION COIL ASS'Y MB-65	1	
060	668-4600	WASHER T1.6	2	

B70-02 CRANK CASE



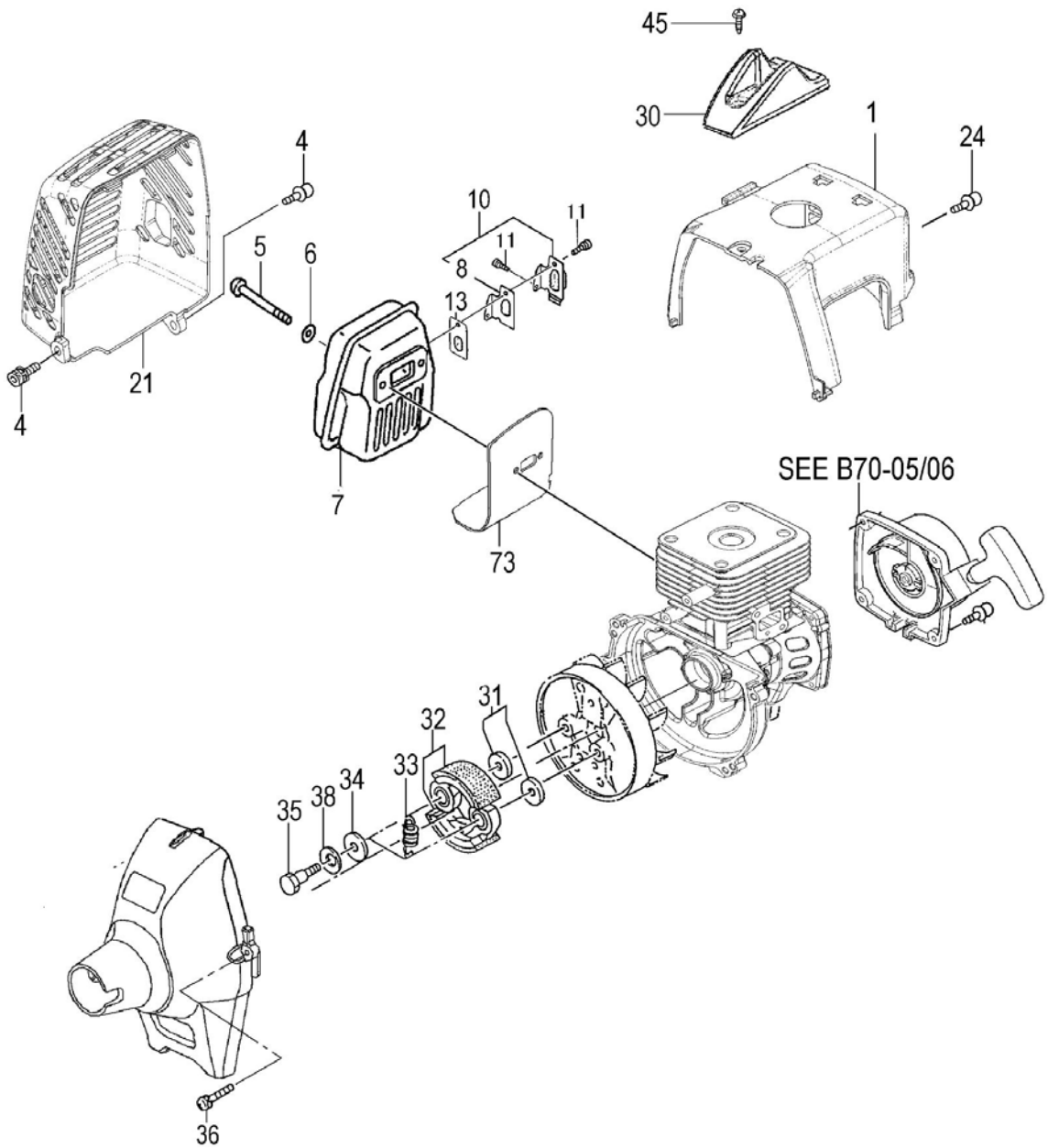
REF. NUMBER	SERVICE CODE No.	DESCRIPTION	Q'TY	REMARKS /SERIAL NO.
B70-02 CRANK CASE				
019	668-4604	GEAR SHAFT SHIM 0.20	V	
019	668-4605	GEAR SHAFT SHIM 0.30	V	
024	668-7385	MAGNETO ROTOR COMP. FW-76	1	
025	668-4612	HEX.NUT M8	1	
027	668-4611	BOLT WASHER M8	1	
031	668-4905	CRANK CASE ASS'Y	1	
032	668-4607	OIL SEAL TB 12227	2	
033	669-5535	BALL BEARING 6001 C3	2	
034	668-4904	CRANK CASE GASKET	1	
036	668-4903	HEX.HOLE BOLT M5X16/S	4	

B70-03 ENGINE-1



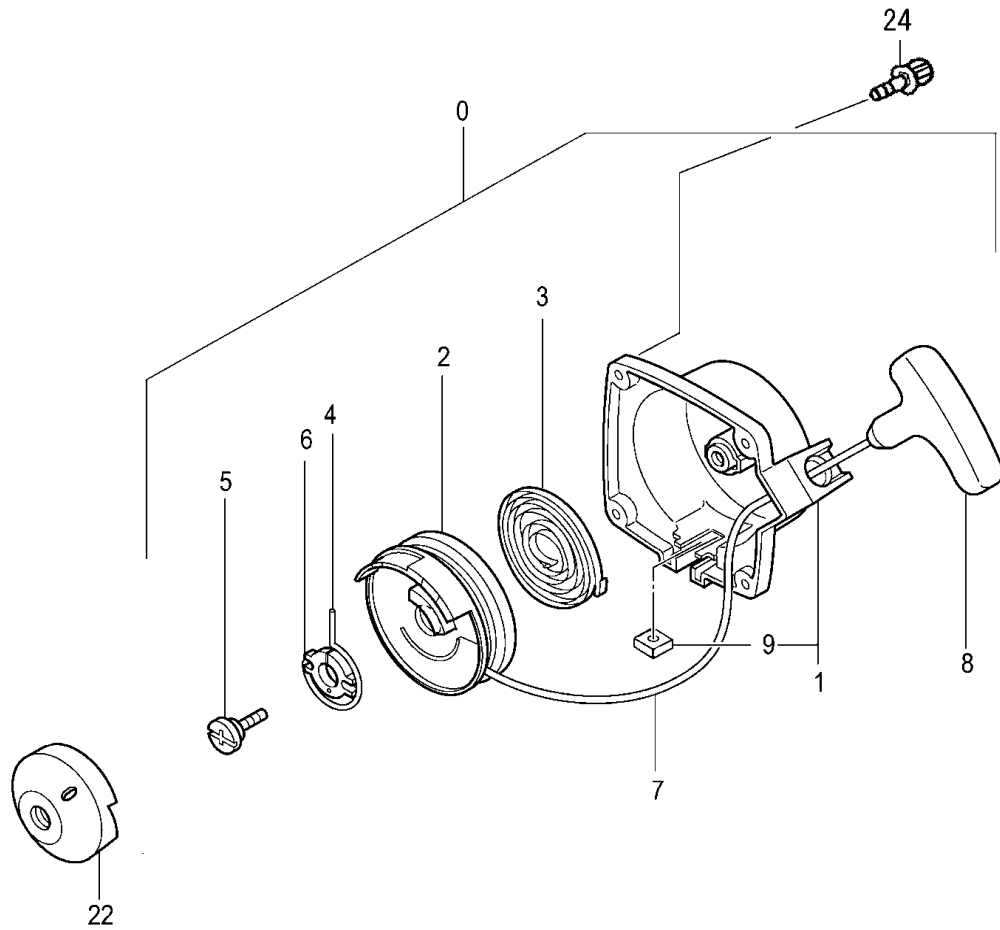
REF. NUMBER	SERVICE CODE No.	DESCRIPTION	Q'TY	REMARKS /SERIAL NO.
B70-03 ENGINE-1				
080	668-9895	INLET MANIFOLD GASKET	1	
081	668-9972	INSULATOR SET	1	
082	668-4617	HEX. HOLE BOLT 5X25/WS	2	
083	668-4871	CABLE ADJUSTER	1	
085	668-4616	CARBURETOR PACKING	1	
086	669-1276	CHOKE PLATE 2.0	1	
087	668-4872	LOCK NUT M6	1	
088	669-0120	CLEANER BODY COMP.	1	
089	669-0365	CLEANER SPONGE	1	
090	669-0402	CLEANER COVER ASS'Y	1	
091	669-0384	COVER FIXING BOLT	1	
094	669-4914	SCREW 5X55	2	
095	668-4662	S.WASHER 5	2	
096	668-4864	SMALL WASHER 5	2	
098	669-0522	CABURETOR SET WYJ-463	1	
099	669-1239	CHOKE CONTROL LEVER	1	
100	669-1602	TANK WHT	1	
109	668-4623	COLLAR C	3	
110	669-7846	RETURN GROMMET	1	
111	668-4626	FUEL PIPE 3X5X65	1	
112	668-4620	PUMP FILTER BODY COMP.	1	
113	668-4619	CLIP,6.3 DIA.	1	
114	669-8970	SHIELD TUBE SET	1	
115	668-4617	HEX. HOLE BOLT 5X25/WS	1	
116	668-4634	HEX.HOLE BOLT 5X20/PS	2	
117	669-1748	TANK CAP D ASS'Y	1	
118	669-5280	TAP SCREW 4X14 P	1	
119	668-5070	BOLT WASHER M4	1	
120	669-4787	STAND	1	

B70-04 ENGINE-2



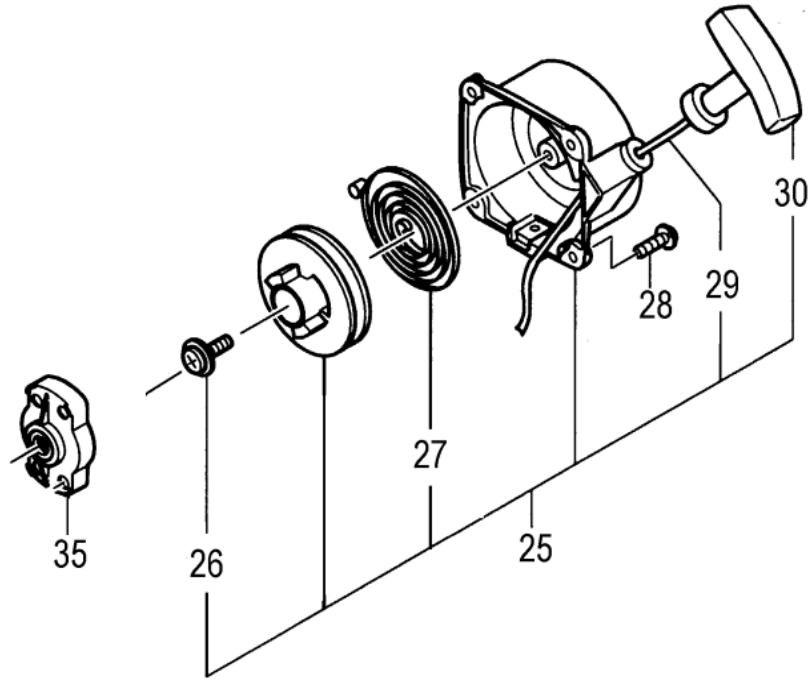
REF. NUMBER	SERVICE CODE No.	DESCRIPTION	Q'TY	REMARKS /SERIAL NO.
B70-04 ENGINE-2				
001	668-5693	CYLINDER COVER (BLK)	1	
004	669-5504	HEX.HOLE BOLT 5X16/PS	2	
005	669-5067	HEX.HOLE BOLT 6X65	2	
006	668-4639	BOLT WASHER 6	2	
007	669-2576	MUFFLER COMP.	1	
008	669-2888	TAIL PIPE GASKET	1	
010	669-2715	TAIL PIPE SET	1	
011	668-4651	SCREW M4X8/WS	2	
013	669-2701	SPARK ARRESTER	1	
021	669-2818	MUFFLER PROTECTOR BLK	1	
024	669-5508	HEX. HOLE BOLT 4X18WS	2	
030	668-8344	PLUG COVER	1	
031	668-4642	CLUTCH WASHER B	2	
032	668-4643	CLUTCH SHOE COMP.	2	
033	668-4644	CLUTCH SPRING	1	
034	668-4645	CLUTCH PLATE A 0.5	2	
035	668-4646	STEP BOLT	2	
036	668-4634	HEX.HOLE BOLT 5X20/PS	3	
038	668-4648	BENT WASHER 8	2	
045	668-4636	TAPPING SCREW D4.5X16	1	
073	668-7265	HEAT SHIELD	1	

B70-05 RECOIL STATER (SERIAL No.-JN90000)



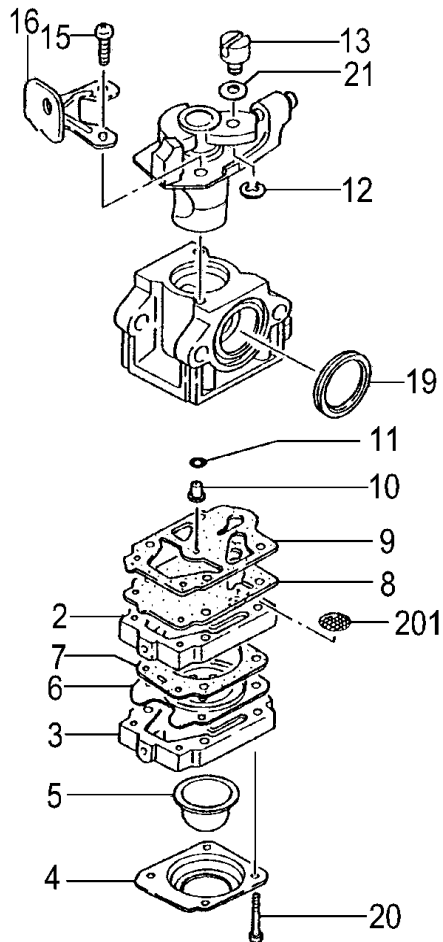
REF. NUMBER	SERVICE CODE No.	DESCRIPTION	Q'TY	REMARKS /SERIAL NO.
B70-05 RECOIL STATER (SERIAL No.-JN90000)				
000	668-4938	RECOIL STARTER BODY ASS'Y	1	
001	668-4944	RECOIL STARTER BODY COMP.	1	
002	668-4941	STARTER ROPE REEL	1	
003	668-4942	RECOIL SPRING	1	
004	668-4940	SWING ARM	1	
005	668-4679	SET SCREW	1	
006	668-4939	PULLEY STAY	1	
007	668-4943	ROPE 3.0X800	1	
008	668-4680	STARTER HANDLE	1	
009	668-5000	SPECIAL NUT M5	1	
022	668-4937	STARTER PULLEY	1	
024	669-5508	HEX. HOLE BOLT 4X18WS	2	

B70-06 RECOIL STATER (SERIAL No.JN90001-)



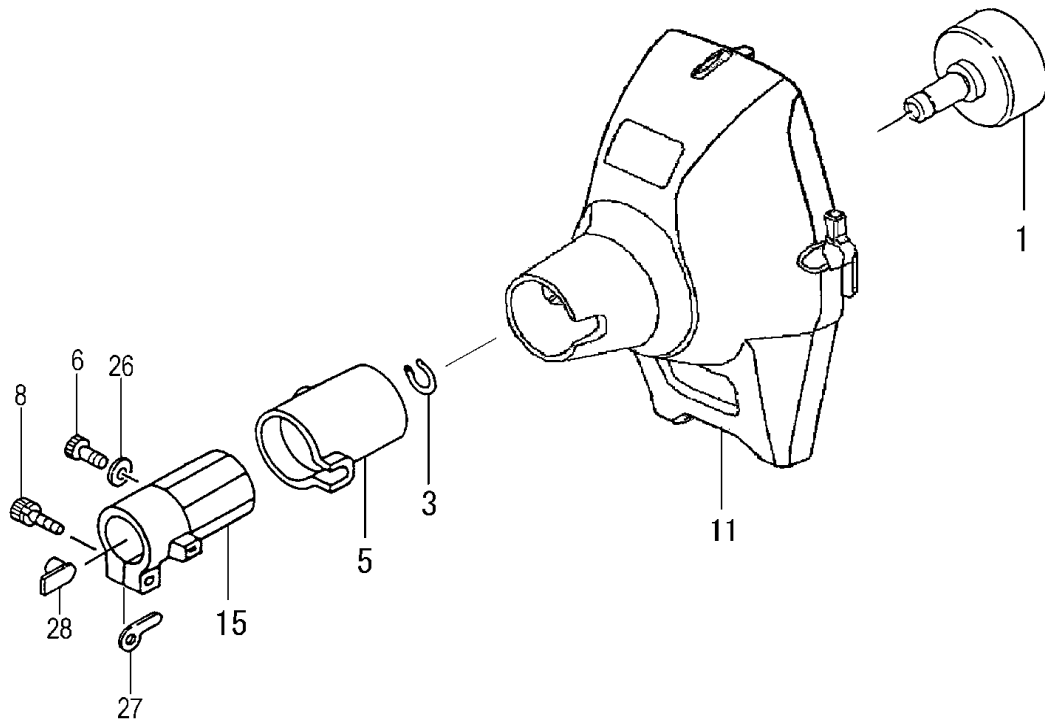
REF. NUMBER	SERVICE CODE No.	DESCRIPTION	Q'TY	REMARKS /SERIAL NO.
B70-06 RECOIL STATER (SERIAL No.JN90001-)				
025	669-6572	RECOIL STARTER BODY ASS'Y	1	
026	669-3633	SET SCREW	1	
027	668-4675	RECOIL SPRING	1	
028	669-5508	HEX. HOLE BOLT 4X18WS	2	
029	669-3168	ROPE	1	
030	669-3227	STARTER HANDLE	1	
035	669-6471	STARTER PULLEY	1	

B70-07 CARBURETOR



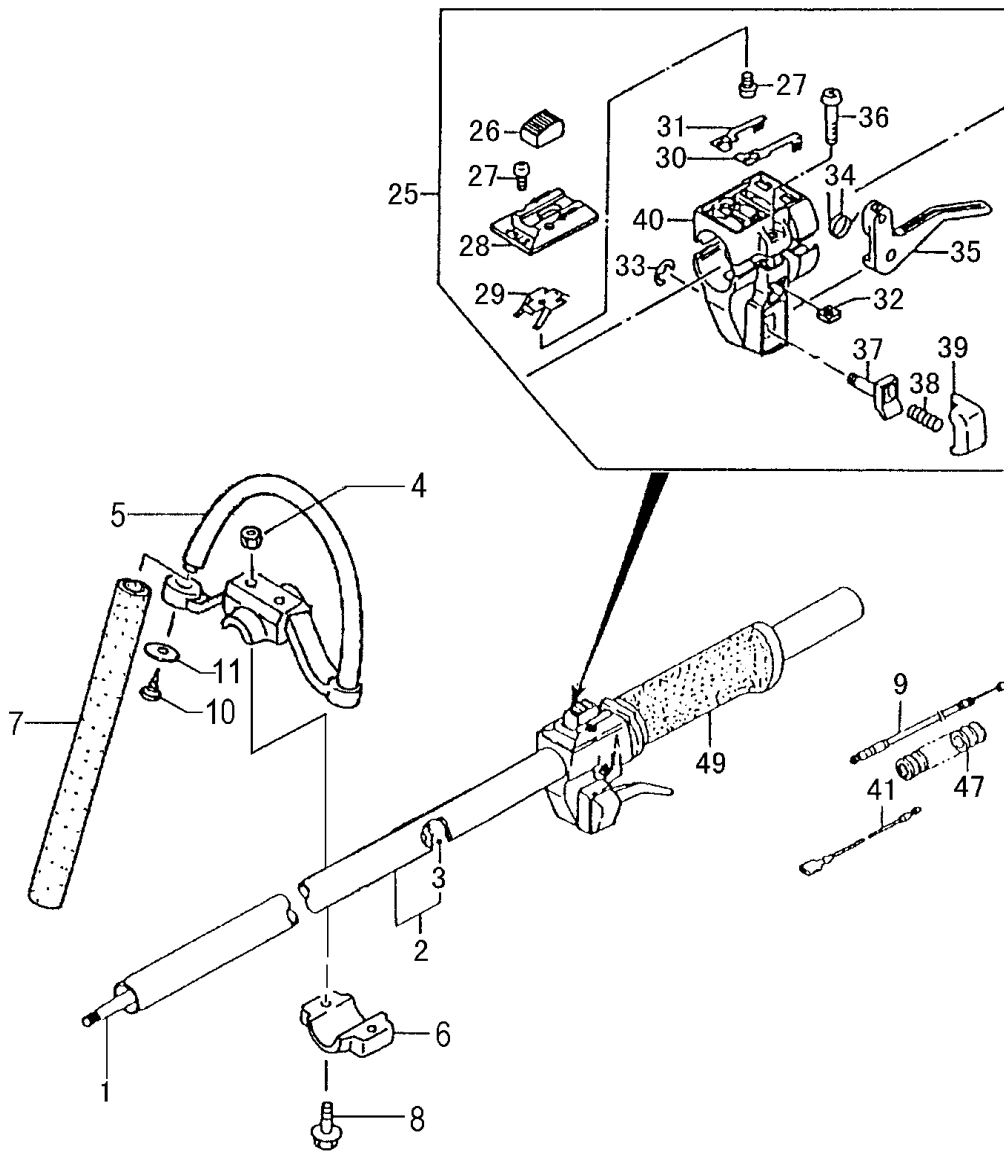
REF. NUMBER	SERVICE CODE No.	DESCRIPTION	Q'TY	REMARKS /SERIAL NO.
B70-07 CARBURETOR				
002	668-4879	PUMP BODY COMP.	1	
003	668-4687	PRIMING PUMP COMP.	1	
004	668-4688	DIAPHRAGM COVER	1	
005	668-4689	PRIMING BODY	1	
006	668-4690	METERING DIAPHRAGM	1	
007	668-4691	DIAPHRAGM GASKET	1	
008	668-4693	PUMP DIAPHRAGM	1	
009	668-4692	PUMP GASKET	1	
010	669-1874	LONG MAIN JET #38	1	
011	668-4695	O-RING	1	
012	668-4696	STOP RING	1	
013	668-4697	SWIVEL	1	
015	668-4870	THROTTLE SET SCREW	2	
016	668-4873	CABLE ADJUSTER STAY	1	
019	668-4875	CLEANER PACKING	1	
020	668-4699	SET SCREW	4	
021	668-4874	THRUST WASHER	1	
201	668-4700	INLET SCREEN	1	

B70-08 FANCASE



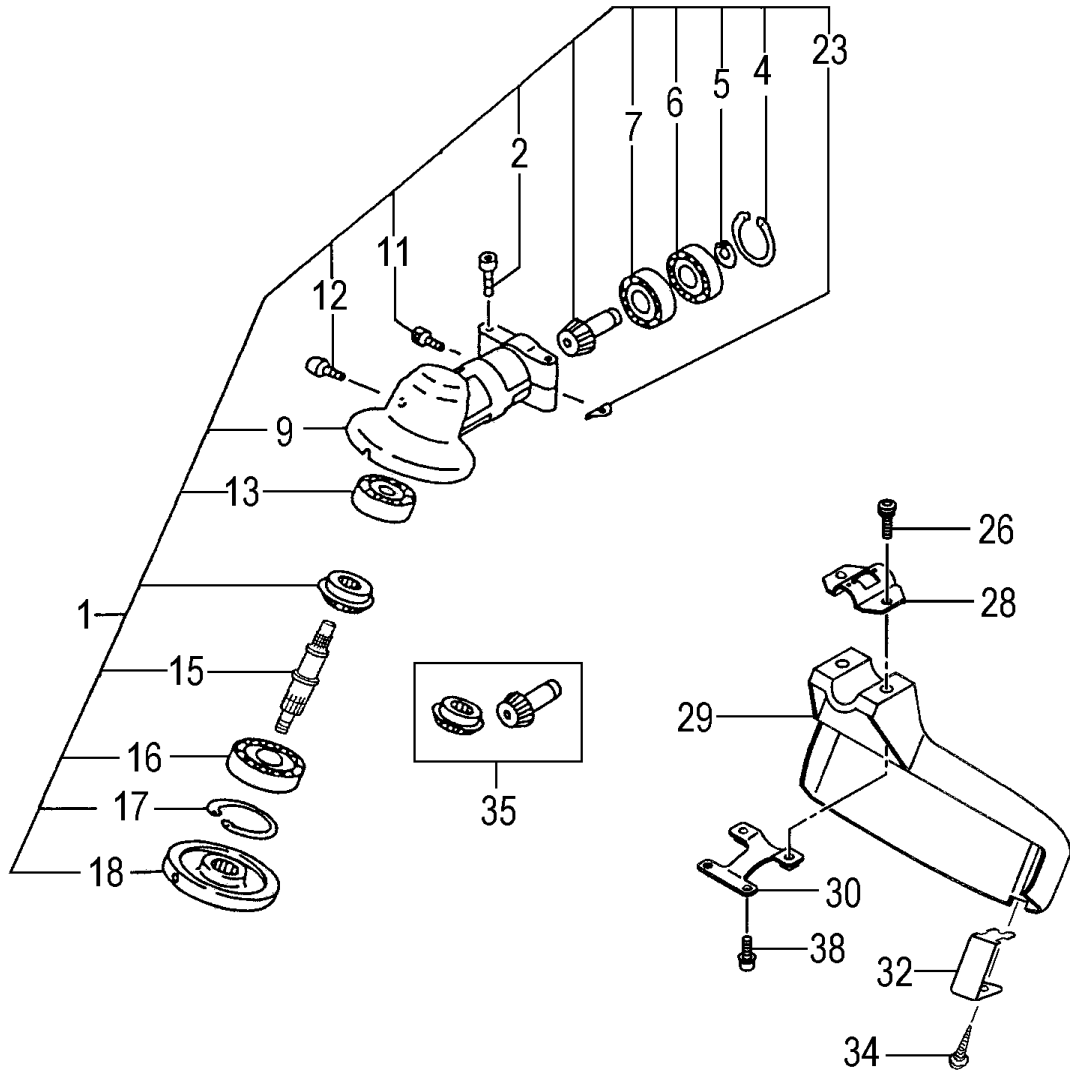
REF. NUMBER	SERVICE CODE No.	DESCRIPTION	Q'TY	REMARKS /SERIAL NO.
B70-08 FANCASE				
001	668-8580	CLUTCH DRUM COMP.	1	
003	668-4664	STOP RING C-12 OUTER	1	
005	669-1823	CUSHION RUBBER	1	
006	669-5046	HEX. HOLE BOLT 5X16	1	
008	668-4709	HEX.HOLE BOLT M5X25/S	1	
011	668-6959	FAN CASE COMP.	1	
015	668-9651	PIPE HOLDER, TPE	1	
026	668-4918	WASHER M5 (BLACK)	1	
027	668-9159	GEAR CASE WASHER	1	
028	668-9664	METAL FITTING	1	

B70-09 OPERATION PIPE/LEVER



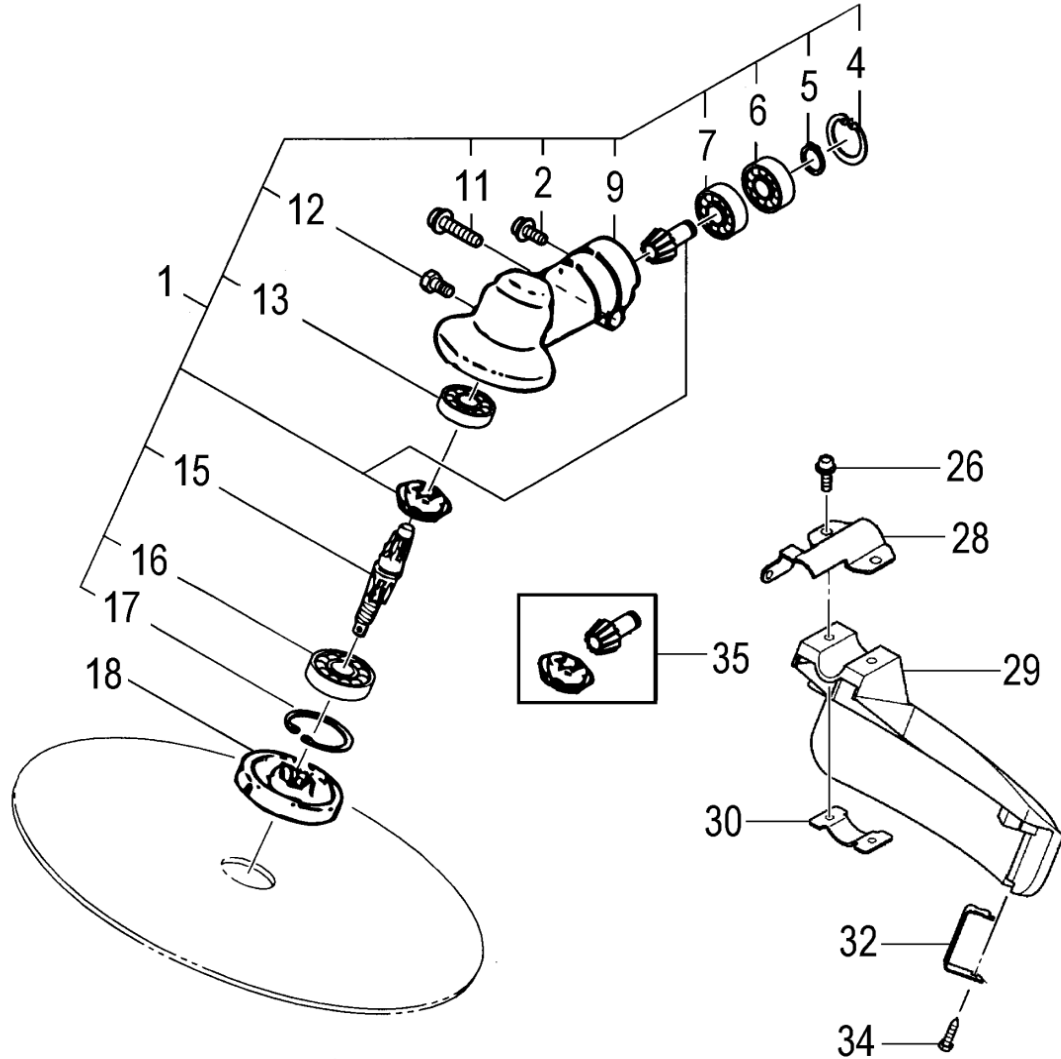
REF. NUMBER	SERVICE CODE No.	DESCRIPTION	Q'TY	REMARKS /SERIAL NO.
B70-09 OPERATION PIPE/LEVER				
001	668-9477	DRIVE SHAFT 1487L	1	- F055032
001	669-6010	DRIVE SHAFT 1484L	1	J590001 -
002	668-9386	DRIVE SHAFT PIPE COMP.	1	
003	669-7839	BUSH ASS'Y	5	
004	668-4835	HEX.NUT 6	2	
005	669-1046	LOOP HANDLE, 24 DIA.,BLACK	1	
006	669-1134	HANDLE BRACKET A	1	
007	669-1098	HANDLE GRIP	1	
008	668-4838	BOLT 6X43/P (BLACK)	2	
009	669-3963	THROTTLE WIRE COMP., 4T	1	
010	669-5255	TAPPING SCREW 5X20	1	
011	668-9681	BRAKE SHAFT WASHER	1	
025	669-3736	THROTTLE LEVER ASS'Y	1	
026	668-7515	STOP SWITCH	1	
027	669-5274	TAPPING SCREW 3X8	3	
028	668-8374	STOP SWITCH BASE	1	
029	668-8385	STOP SWITCH SPRING	1	
030	668-7805	EARTH TERMINAL B	1	
031	668-7801	EARTH TERMINAL A	1	
032	668-5000	SPECIAL NUT M5	2	
033	669-5311	STOP RING E-6	1	
034	669-3601	RETURN SPRING	1	
035	669-3804	THROTTLE ARM	1	
036	669-5453	SCREW 5X20	2	
037	669-3653	LOCK BUTTON SHAFT	1	
038	669-4834	LOCK BUTTON SPRING	1	
039	669-4829	LOCK BUTTON	1	
040	668-8378	STOP BUTTON BODY B	1	
041	668-7915	STOP CORD, B430M	2	
047	668-7563	PROTECTION TUBE 10X190L	1	
049	669-7902	SHAFT GRIP	1	

B70-10 GEAR CASE (SERIAL No.-F055032)

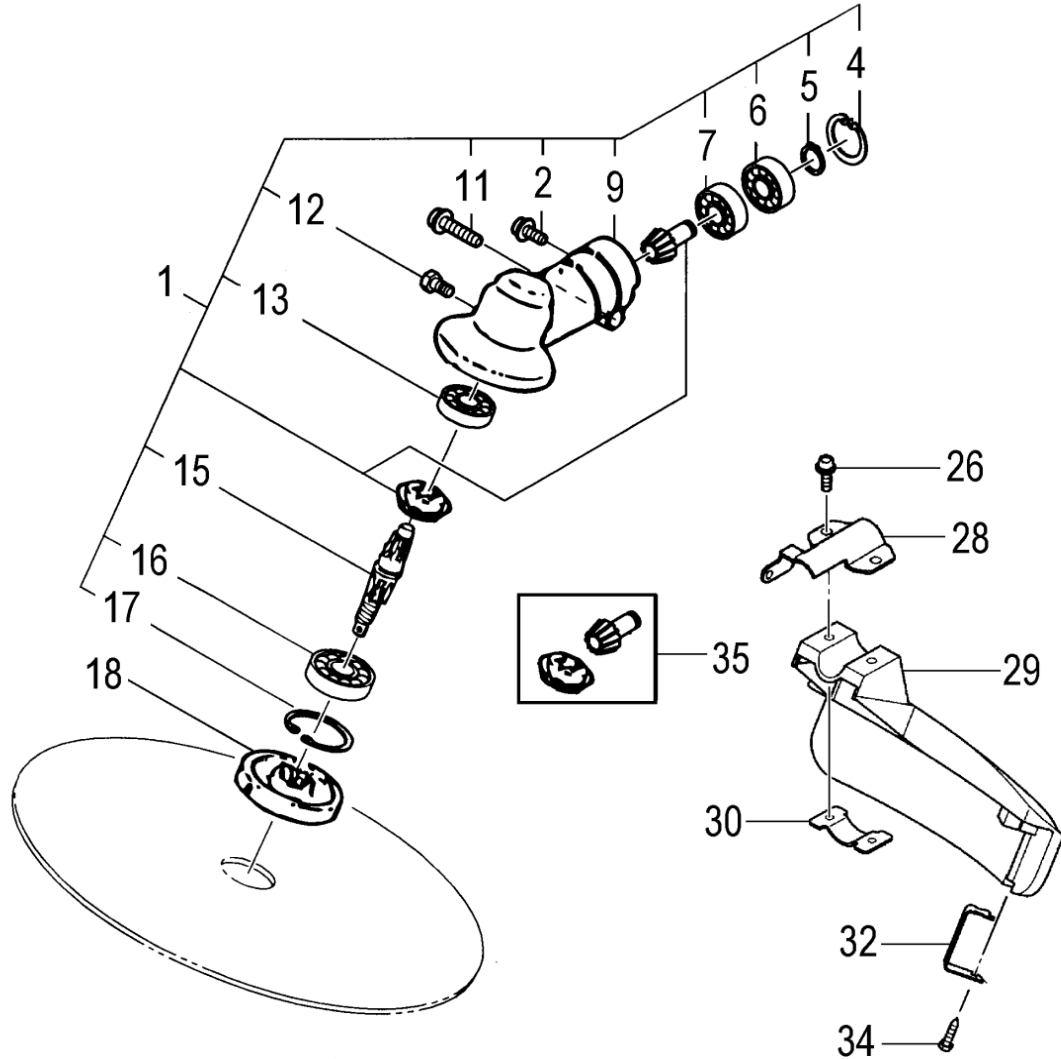


REF. NUMBER	SERVICE CODE No.	DESCRIPTION	Q'TY	REMARKS /SERIAL NO.
B70-10 GEAR CASE (SERIAL No.-F055032)				
001	668-8812	GEAR CASE ASSY 24	1	
002	668-4709	HEX.HOLE BOLT M5X25/S	2	
004	669-5293	RETAINING RING C-TYPE D22	1	
005	669-5315	STOP RING OUTER 10	1	
006	669-5579	BALL BEARING	1	
007	669-5577	BALL BEARING 6900, 22MM/OD	1	
009	668-8808	GEAR CASE 24	1	
011	668-4667	HEX.HOLE BOLT M5X12/S	1	
012	668-9109	OILING BOLT	1	
013	668-4734	BALL BEARING 609	1	
015	668-8946	GEAR SHAFT	1	
016	669-5554	BALL BEARING 6201D, 32MM/OD	1	
017	669-5295	STOP RING C-32, INNER	1	
018	668-9032	CUTTER HOLDER	1	
023	668-9159	GEAR CASE WASHER	1	
026	668-4714	HEX.HOLE BUTTON SCREW 6X25S	2	
028	668-5065	GUARD BRACKET	1	
029	669-0272	GUARD 24 DIA.	1	
030	669-0343	GUARD HOLDER	1	
032	669-3388	KNIFE	1	
034	668-4753	TAPPING SCREW 5X20	1	
035	668-8882	GEAR PINION SET SPARE	1	
038	668-4667	HEX.HOLE BOLT M5X12/S	2	

B70-11 GEAR CASE (SERIAL No.J590001-)

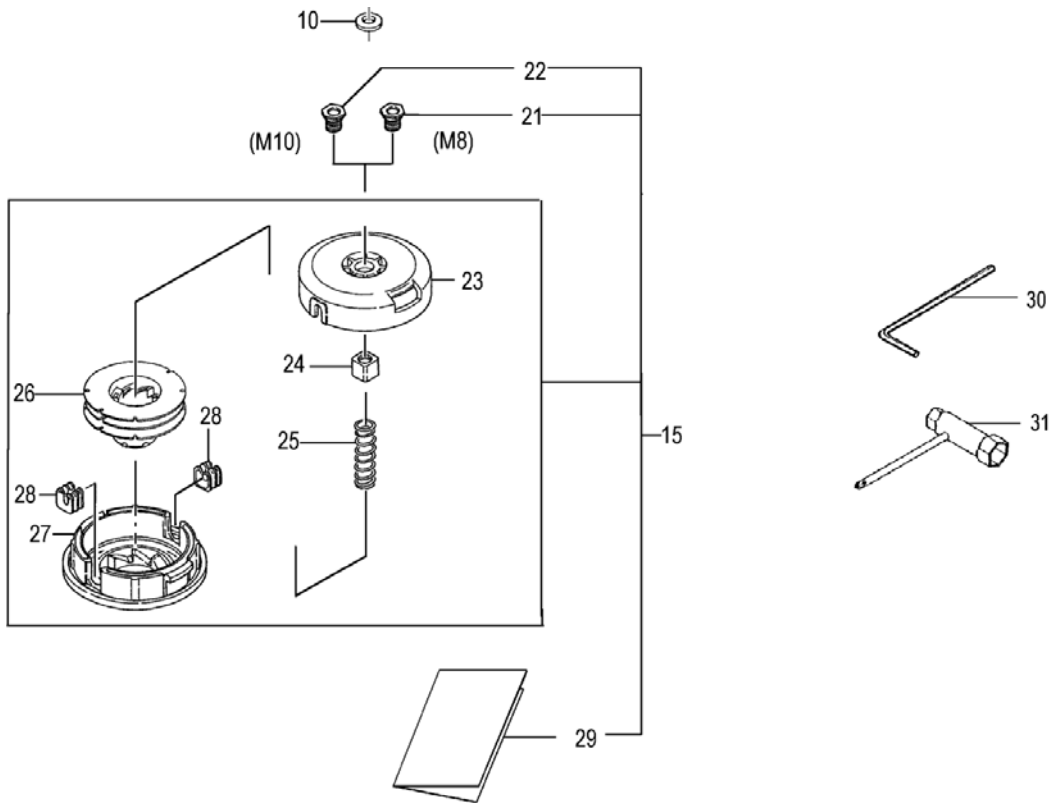


B70-11 GEAR CASE (SERIAL No.J590001-)



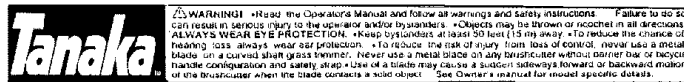
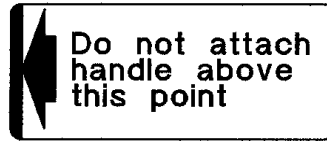
REF. NUMBER	SERVICE CODE No.	DESCRIPTION	Q'TY	REMARKS /SERIAL NO.
B70-11 GEAR CASE (SERIAL No.J0590001-)				
001	668-5062	GEAR CASE ASS'Y	1	
002	668-4667	HEX.HOLE BOLT M5X12/S	1	
004	668-4732	STOP RING C-24,INNER	1	
005	668-4733	STOP RING 9	1	
006	668-4735	BALL BEARING 609Z ST	1	
007	668-4734	BALL BEARING 609	1	
009	668-4736	GEAR CASE 24	1	
011	668-4973	HEX.HOLE BOLT M5X30/WS	1	
012	668-4737	BOLT (W/PLUS) M6X8	1	
013	668-4738	BALL BEARING #608,22MM/OD	1	
015	668-5063	GEAR SHAFT	1	
016	668-4740	BALL BEARING 6001DD,28MM/OD	1	
017	668-4741	STOP RING C-28,INNER	1	
018	668-4742	CUTTER HOLDER	1	
026	668-4714	HEX.HOLE BUTTON SCREW 6X25S	2	
028	669-8812	COVER BRACKET	1	
029	669-0272	GUARD 24 DIA.	1	
030	669-8813	COVER HOLDER	1	
032	669-3388	KNIFE	1	
034	668-4753	TAPPING SCREW 5X20	1	
035	668-4752	GEAR PINION SET	1	

B70-12 TOOLS&NYLON HEAD



REF. NUMBER	SERVICE CODE No.	DESCRIPTION	Q'TY	REMARKS /SERIAL NO.
B70-12 TOOLS&NYLON HEAD				
010	668-5072	BOLT WASHER M12	1	
015	669-5784	SURE TAP 2	1	
021	668-9624	MOUNTING NUT L-M8X1.25	1	
022	668-4756	MOUNTING NUT L-M10X1.25	1	
023	668-4757	CUTTING BODY	1	
024	668-4758	SPECIAL NUT	1	
025	668-4759	REEL SPRING	1	
026	668-4760	SPOOL	1	
027	668-4761	CUTTING BODY CAP	1	
028	668-4762	EYELET	2	
029	669-7612	MANUAL SURE TAP	1	
030	668-4813	HEX. BAR WRENCH 4MM	1	
031	668-4764	BOX WRENCH (HEX. SOCKET 17/19)	1	

B70-13 LABELS



REF. NUMBER	SERVICE CODE No.	DESCRIPTION	Q'TY	REMARKS /SERIAL NO.
B70-13 LABELS				
001	669-4245	NAME PLATE	1	- F055032
003	669-4675	SYMBOL MARK TBC-280PF	1	- F055032
004	668-4851	LEVEL MARK	1	
007	669-4741	SYMBOL MARK	1	- F055032
010	668-5056	CAUTION MARK	1	
026	668-4852	LEVEL MARK	1	