

Tanaka Illustrated Parts Manual

Model Number:

TBC-600

PROFESSIONAL BRUSHCUTTER

P/N 30554

Rev 000

Date 7-18-05



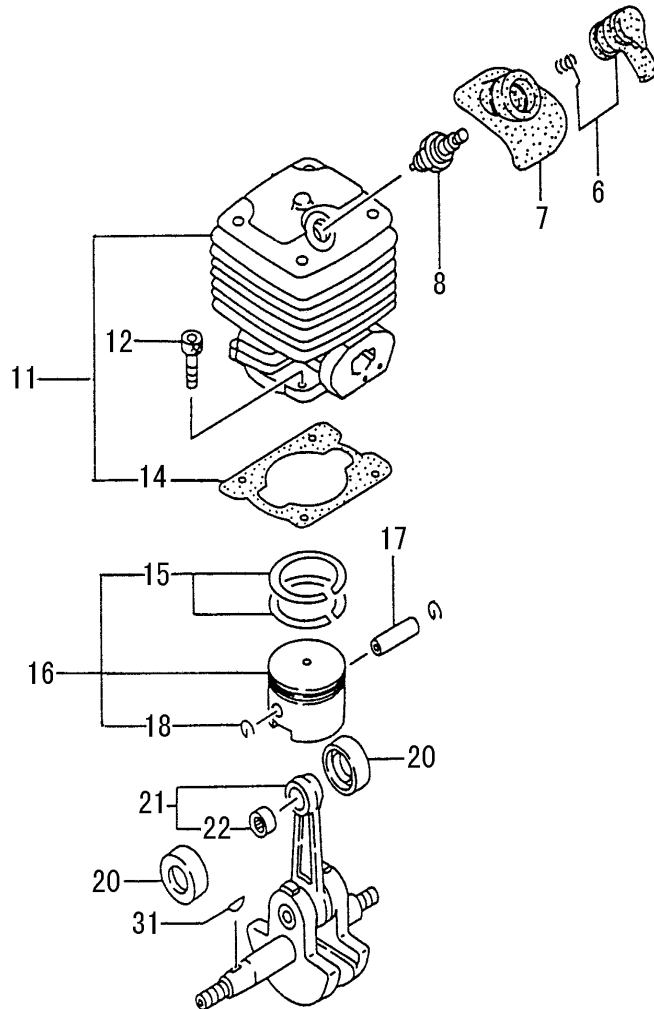
Supplier To The Outdoor Power Equipment Industry

ISM, Inc. • 1028 4th Street SW • Auburn, WA 98001 • Phone: (253) 333-1200 • Fax: (253) 333-1212

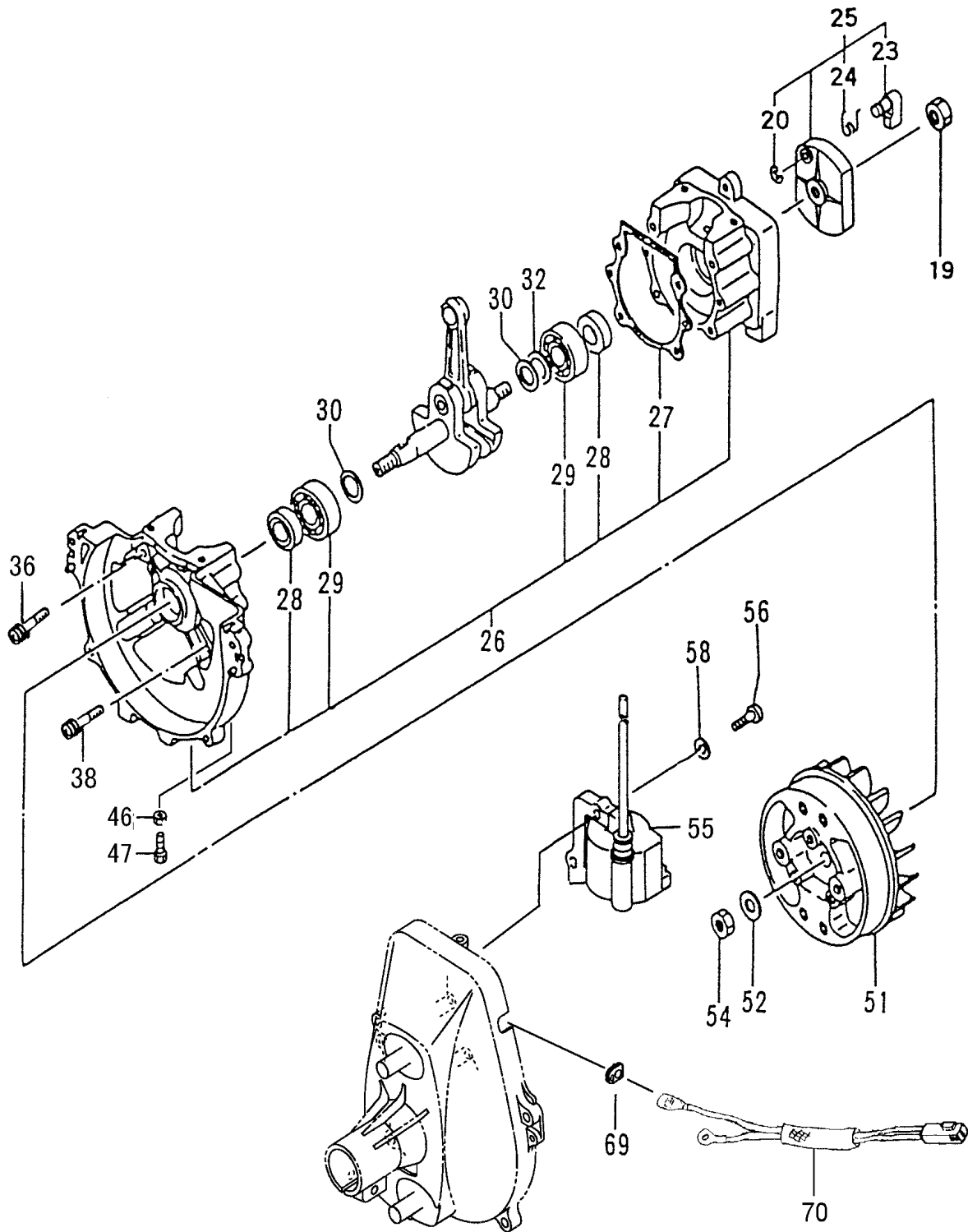
www.tanaka-usa.com

custsvc@tanaka-ism.com

CYLINDER, PISTON, CRANKSHAFT • FIGURE 1

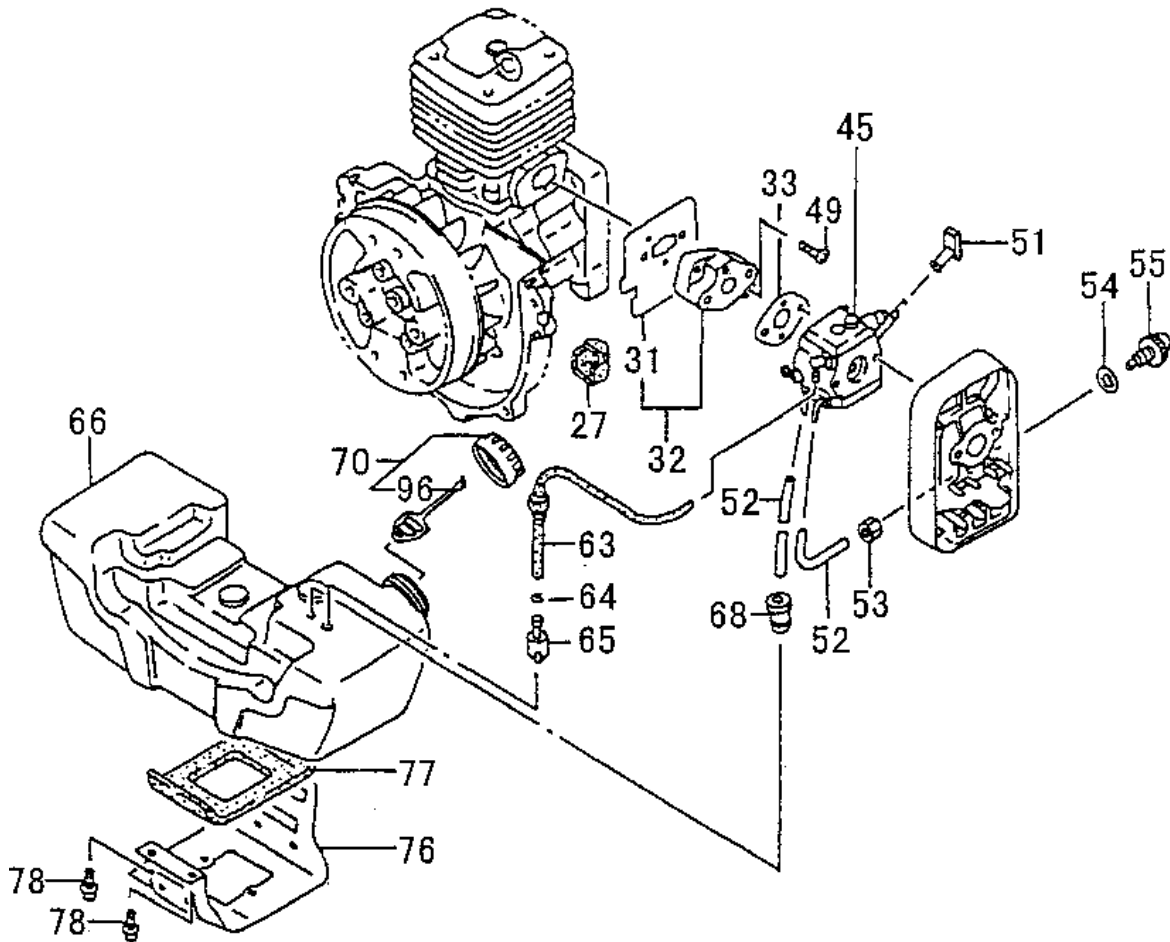


ITEM	PART NUMBER	DESCRIPTION	QTY	COMMENTS
6	15711666900	CAP, SPARK PLUG ASS'Y	1	
7	25504200200	COVER, SPARK PLUG, RUBBER	1	
8	0180654021	PLUG, SPARK	1	
11	0010422U90	SET, CYLINDER	1	Includes gasket
12	99461050184	BOLT, HEX, 5X18, S	4	
14	0170422021	GASKET, CYLINDER	1	
15	04104090210	PISTON RING	2	
16	0300422U90	SET, PISTON	1	Includes rings and circlips
17	03704090200	PIN, PISTON	1	
18	03901000200	CIRCLIP, PISTON PIN	2	
20	0360409020	COLLAR, PISTON PIN	2	
21	0460422080	CRANKSHAFT	1	
22	99962101480	BEARING, NEEDLE	1	
31	06802000200	KEY, WOODRUFF, 3X13X5	1	

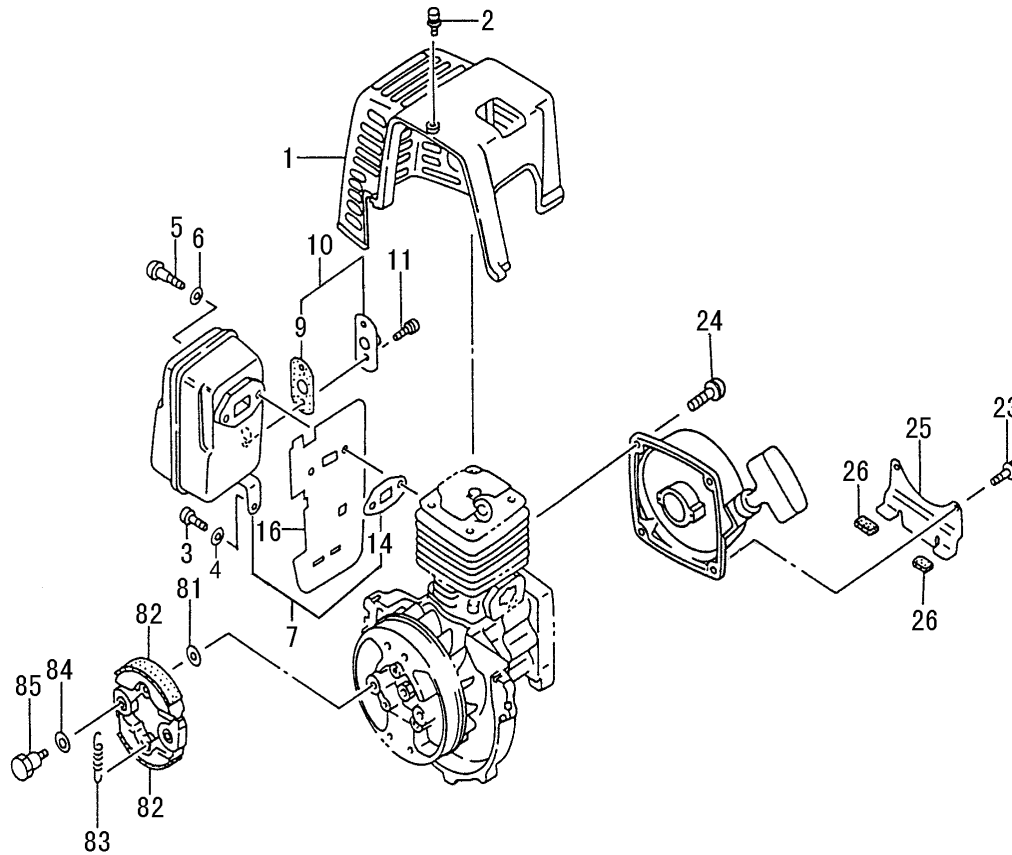


CRANKCASE, FLYWHEEL, IGNITION • FIGURE 2

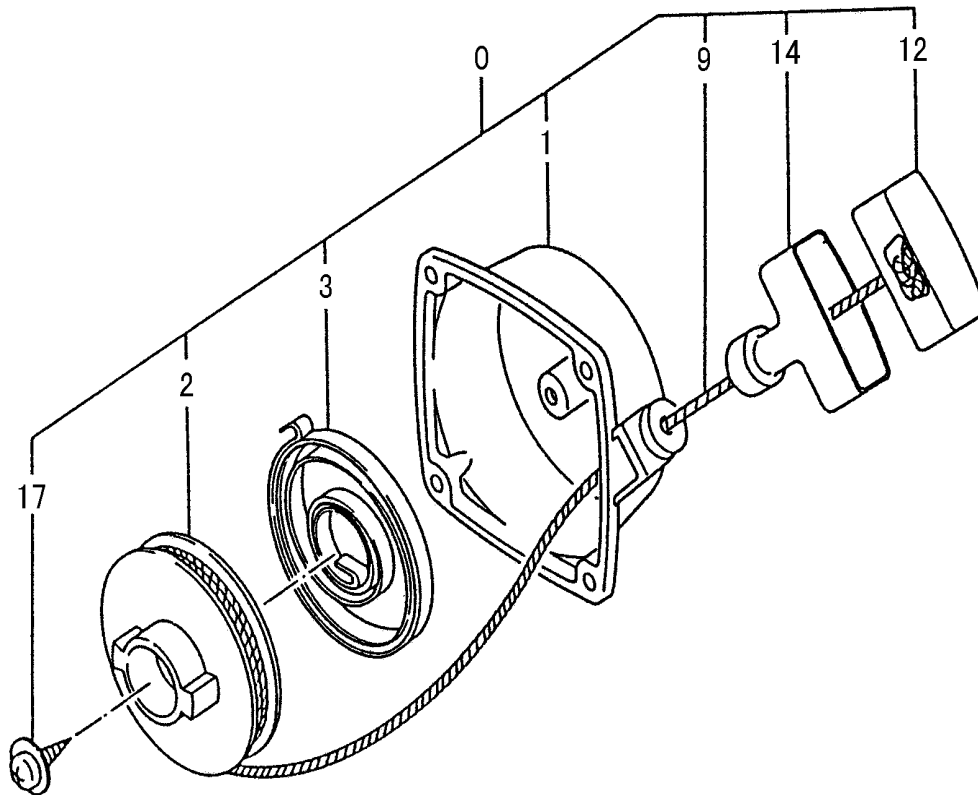
ITEM	PART NUMBER	DESCRIPTION	QTY	COMMENTS
19	99111100013	NUT,10	1	
20	99355050000	RING,STOP,5	1	
23	7880162V20	PAWL,STARTER	1	
24	7900162V200	SPRING,PAWL,STARTER	1	
25	7980422090	PAWL,STARTER ASS'Y	1	
26	0720422091	CRANKCASE ASS'Y	1	
27	09004200210	GASKET,CRANKCASE	1	
28	99966152511	SEAL,OIL,#VE15X25X7	2	
29	99961620200	BEARING,BALL,#6202	2	
30	07002401201	WASHER,CRANKSHAFT 15X22	2	
32	07102007200	SHIM,15.2X20X05	1	
32	07102007210	SHIM,15.2X20X10	1	
32	07102007220	SHIM,15.2X20X15	1	
32	07111600230	SHIM,16X21X20	1	
32	07111600240	SHIM,16X21X30	1	
36	99414060451	SCREW 6x45/S	2	
38	99414060301	SCREW,6X30/S	2	
46	99101060013	NUT,6	1	
47	89401401201	RECEIVER,OUTER	1	
51	1552053780	ROTOR,MAGNETO	1	
52	99200100011	WASHER,10	1	
54	99111100011	NUT,10	1	
55	1672054880	COL,IGNITION	1	
56	99414050181	SCREW,S,5X18	2	
58	99200050011	WASHER,SMALL,5	2	
69	2030659020	GROMMET	1	
70	1910428090	WIRE	1	



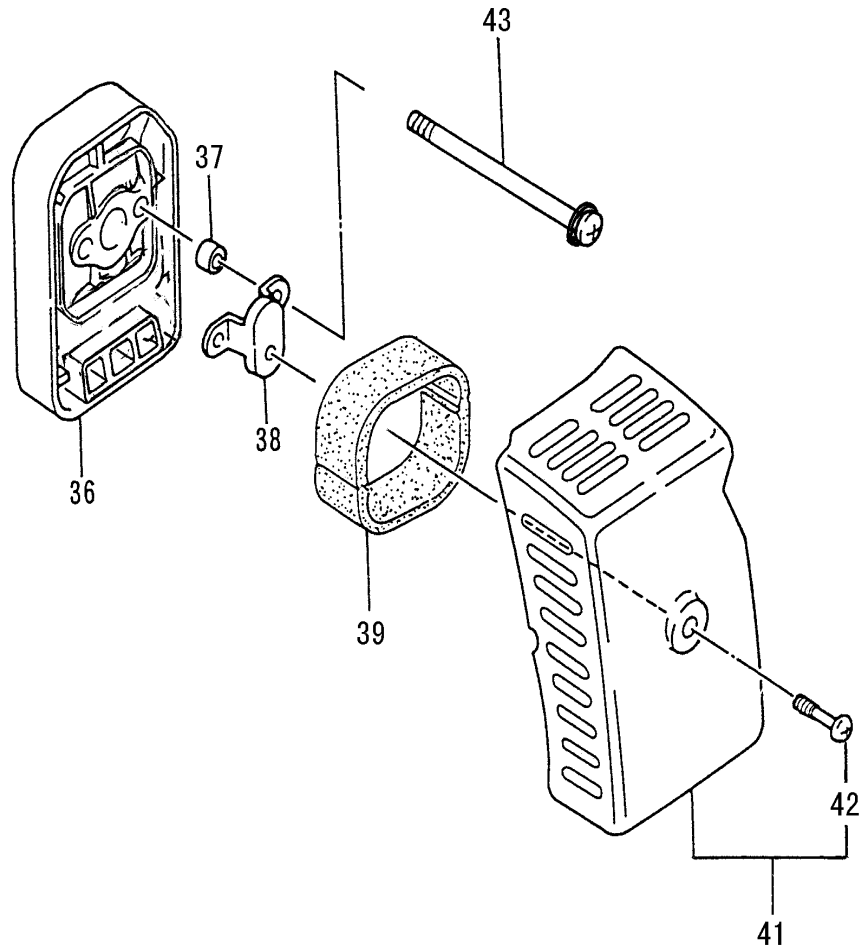
ITEM	PART NUMBER	DESCRIPTION	QTY	COMMENTS
27	65504200200	CUSHION,FUEL TANK	2	
31	4030422021	GASKET,INTAKE	1	
32	4040422U90	SET CARB INSULATOR	1	
33	4020174020	GASKET,CARBURETOR	1	
45	45525055900	CARBURETOR	1	
49	99416050241	SCREW 5x24WS	2	
51	49504200200	LEVER,CHOKE	1	
52	70002504090	PIPE,FUEL	2	
53	99111100011	NUT,10	1	
54	99220100010	WASHER,10 INNER TOOTHED	1	
55	42225030800	PUMP,PRIMING	1	
63	22301251901	PIPE,FUEL,3X5X230	1	
64	68000731201	CLIP 6.3	1	
65	67501630900	FILTER,FUEL	1	
66	59104220210	TANK,FUEL	1	
68	53432710200	GROMMET,FUEL PIPE	1	
70	5950423Q90	CAP,TANK	1	
76	60304201200	BAND,HOLDING,TANK	1	
77	65204201200	CUSHION	1	
78	99415050162	SCREW,5X16/PS	2	
96	62632810200	CHAIN,TANK CAP	1	



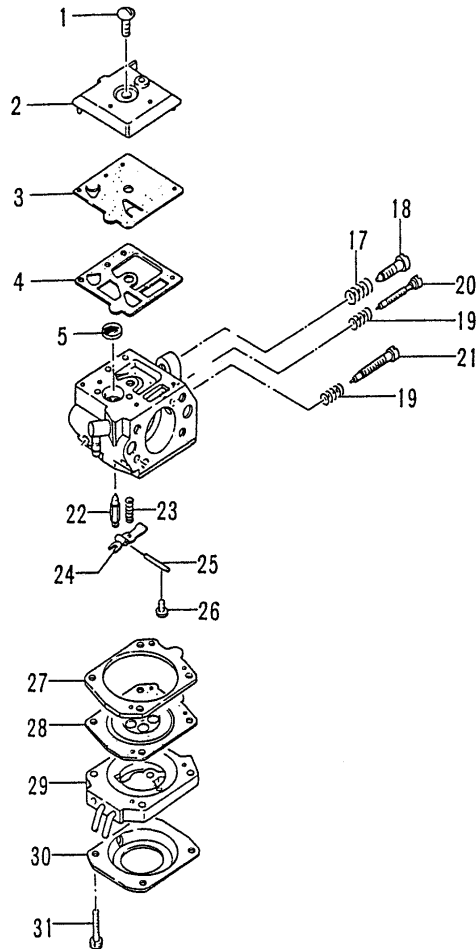
ITEM	PART NUMBER	DESCRIPTION	QTY	COMMENTS
1	7380422020	PROTECTOR,MUFFLER	1	
2	99461050124	BOLT,HEX,5X12S	1	
3	99413050121	SCREW,5x12/P	1	
4	99201050061	WASHER,5	1	
5	99053060653	SCREW,HEX,6X65	2	
6	99201060011	WASHER,6	2	
7	7040422S90	MUFFLER	1	
9	75104200201	GASKET,MUFFLER	1	
10	7210423Z90	PIPE,TAIL	1	
11	99414040081	SCREW,4X8	2	
14	73704230200	GASKET,MUFFLER	1	
16	1330423020	SHIELD,HEAT	1	
23	99415050182	SCREW,5X18/PS	2	
24	99415050252	SCREW,PS,5X25	2	
25	65304200200	BRACKET,TANK	1	
26	65506100200	CUSHION,TANK	2	
81	35910112203	WASHER,CLUTCH B	2	
82	2900427080	SHOE,CLUTCH	2	
83	3420427020	SPRING,CLUTCH	1	
84	99204100030	WASHER,WAVE,10	2	
85	3570136U200	BOLT,STEP,CLUTCH	2	



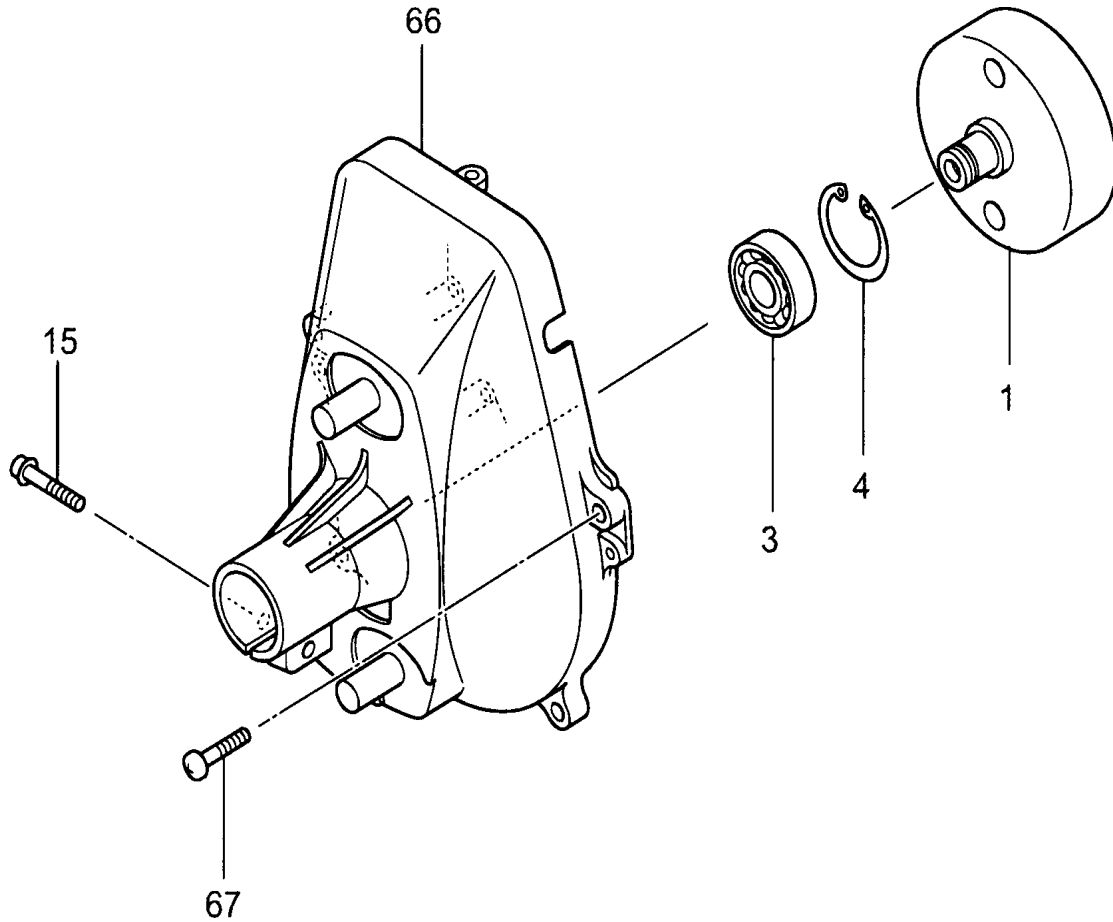
ITEM	PART NUMBER	DESCRIPTION	QTY	COMMENTS
0	7620422090	STARTER,RECOIL ASS'Y	1	
1	7720422080	BODY,RECOIL STARTER	1	
2	7690422020	REEL,STARTER ROPE	1	
3	7790422020	SPRING,RECOIL	1	
9	7830422020	ROPE,STARTER	1	
12	8350422020	CAP,HANDLE	1	
14	7850422020	HANDLE,STARTER	1	
17	8390422020	SCREW,SET	1	



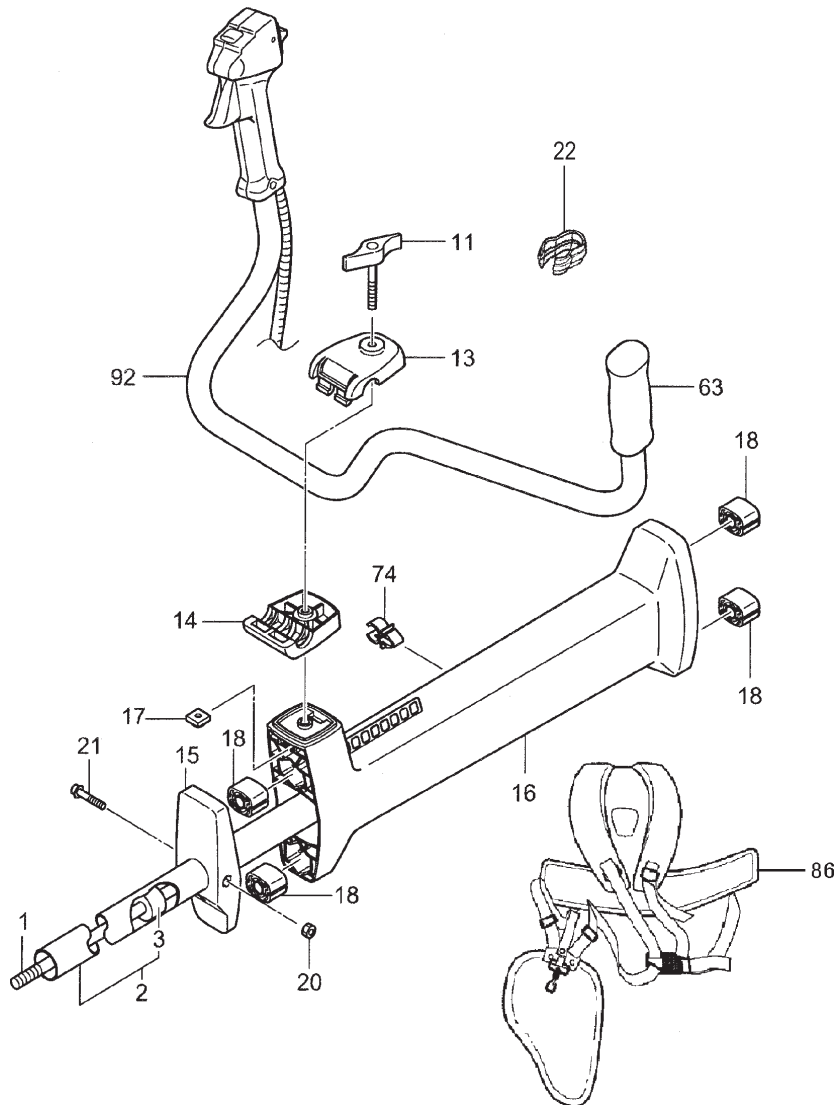
ITEM	PART NUMBER	DESCRIPTION	QTY	COMMENTS
36	4230427020	BODY,CLEANER	1	
37	65900801200	COLLAR	2	
38	47604050200	BOARD,CHECK,BLOW OVER	1	
39	4460427020	CLEANER,ELEMENT	1	
41	4240427090	CLEANER,CAP	1	
42	4500407220	COVER,CLEANER BOLT	1	
43	99414050601	SCREW,5X60	2	



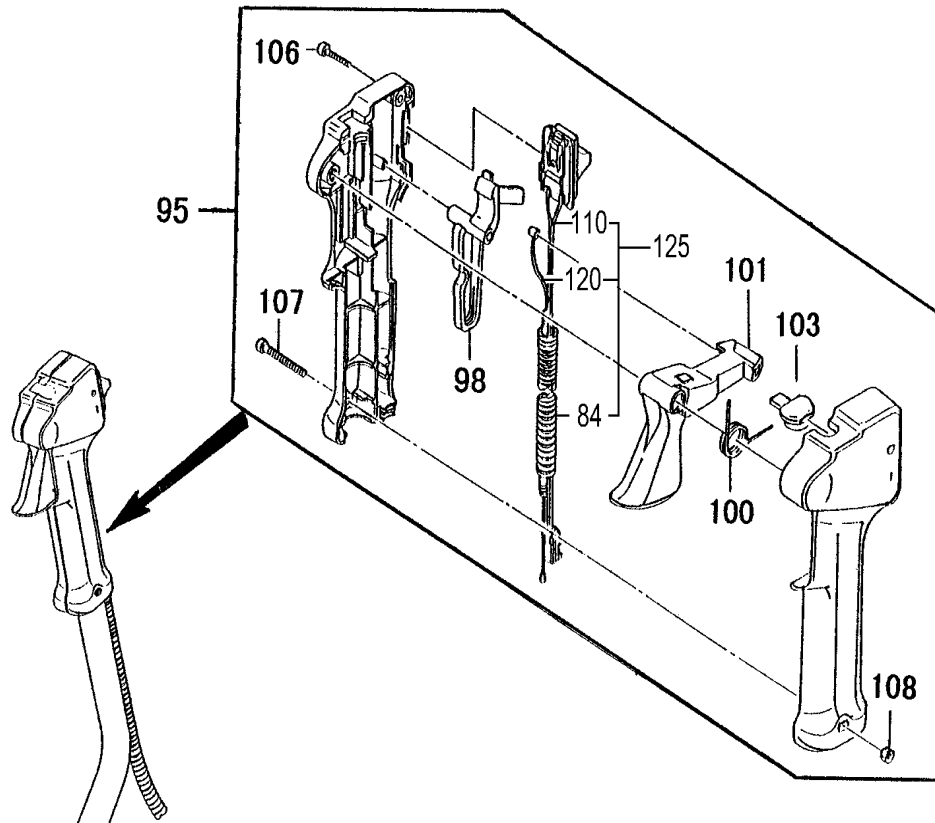
ITEM	PART NUMBER	DESCRIPTION	QTY	COMMENTS
1	51425001200	SCREW, SET	1	
2	57525012200	BODY, PUMP	1	
3	57725012200	GASKET, PUMP	1	
4	57625012200	DIAPHRAGM, PUMP	1	
5	57825007200	SCREEN, INLET	1	
17	46325012200	SPRING, IDLE ADJUST	1	
18	46225006200	SCREW, IDLE ADJUST	1	
19	62325054200	SPRING, ADJUST	2	
20	46125032200	SCREW, LOW ADJUST	1	
21	46025032200	SCREW, HIGH ADJUST	1	
22	6032501220	NEEDLE VALVE	1	
23	47725051200	SPRING, VALVE	1	
24	47325012200	LEVER, CONTROL	1	
25	60525001200	PIN, HINGE	1	
26	54625001200	SCREW, SET, HINGE PIN	1	
27	47525032200	GASKET, DIAPHRAGM	1	
28	47425032800	DIAPHRAGM, METERING	1	
29	45425032800	PURGE, AIR	1	
30	47625032200	COVER, DIAPHRAGM	1	
31	54825016200	SCREW, SET	4	



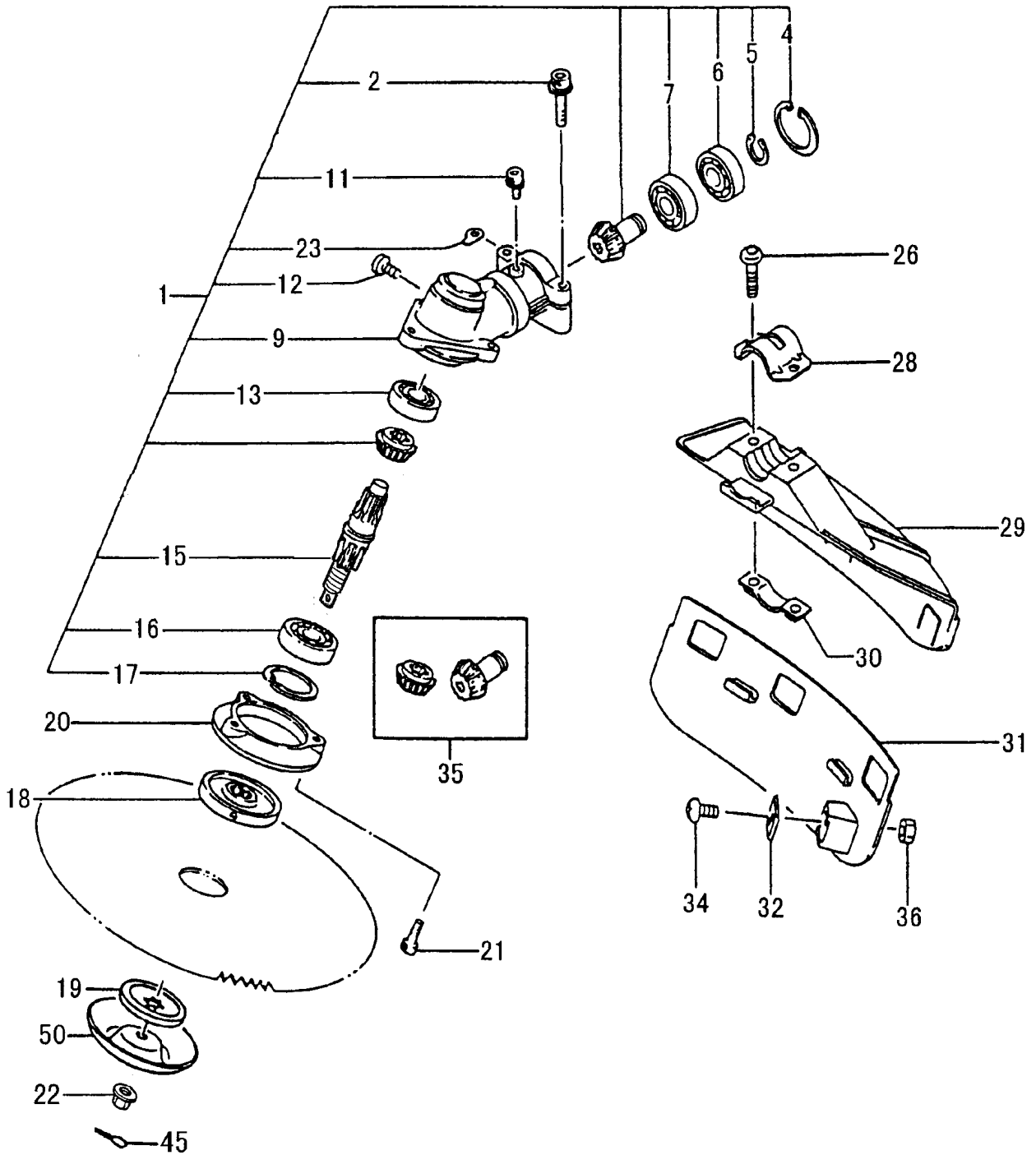
ITEM	PART NUMBER	DESCRIPTION	QTY	COMMENTS
1	2890430880	DRUM, CLUTCH	1	
3	99961620201	BEARING, BALL, #6202ZZ	1	
4	99351035002	RING, IN, C-35, STOP	1	
15	99054060253	SCREW	1	
66	1120428021	CASE, FAN	1	
67	99414060202	SCREW, 6X20S	4	



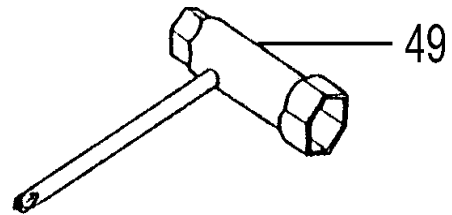
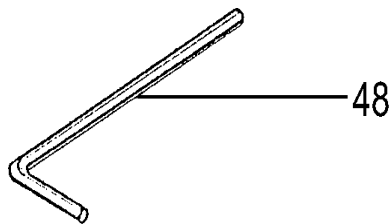
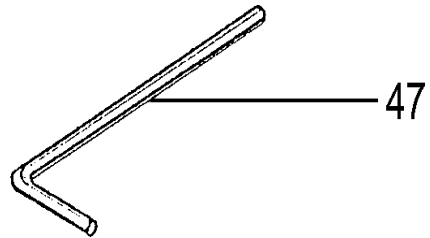
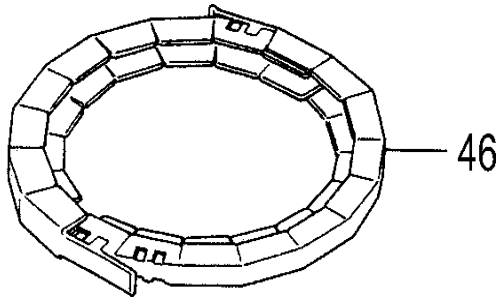
ITEM	PART NUMBER	DESCRIPTION	QTY	COMMENTS
1	3433810120	SHAFT,DRIVE	1	
2	3413786080	PIPE,DRIVE SHAFT	1	
3	3473710090	BUSHING ASS'Y	5	
11	5123786180	KNOB	1	
13	5063786120	BRACKET,HANDLE	1	
14	5073786120	BRACKET,HANDLE	1	
15	5223786120	HOLDER	1	
16	5213786180	ANTI-VIBE	1	
17	3153786120	NUT,SPECIAL	1	
18	3263718020	CUSHION	4	
20	99187060001	NUT	1	
21	99054060303	SCREW	1	
22	1983332A20	CLAMP,CORD	1	V150999~
63	1653786120	GRIP,HANDLE	1	
74	1983786120	HOLDER,WIRE	1	
86	746391	SHOULDER HARNESS ASSY	1	
92	5013786120	HANDLE	1	



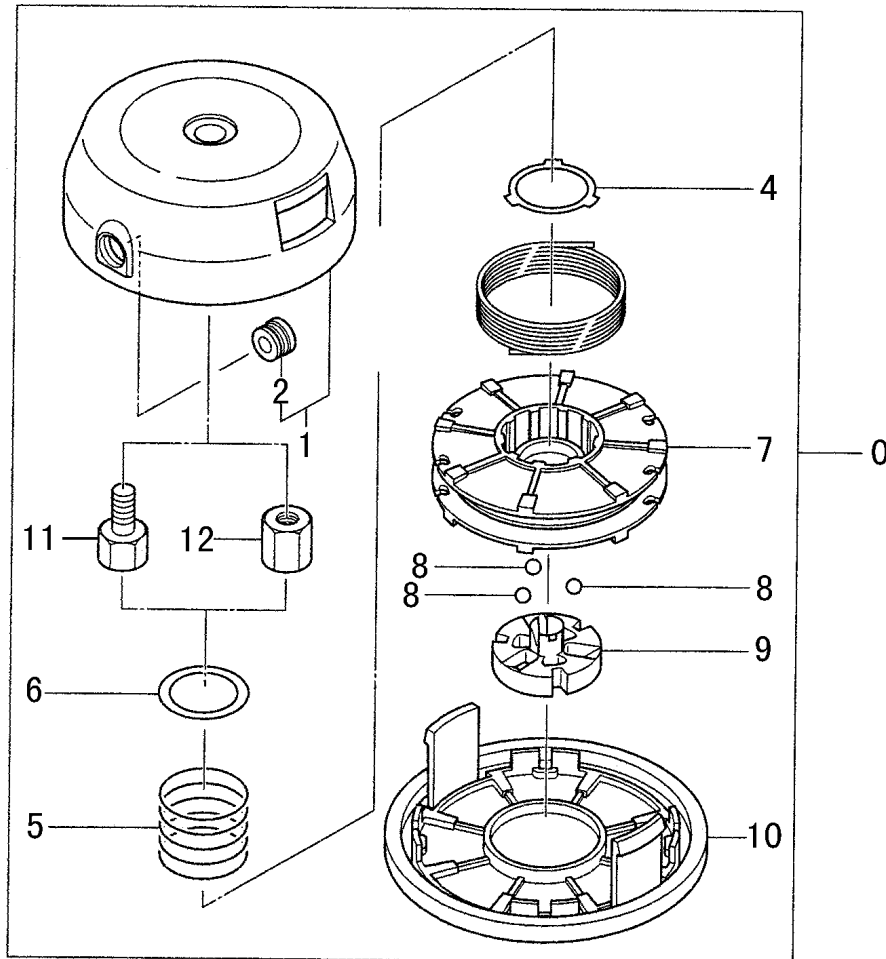
ITEM	PART NUMBER	DESCRIPTION	QTY	COMMENTS
84	1640709900	TUBE,PROTECTION	0	
95	8703718090	THROTTLE LEVER ASS'Y	1	
98	2533840020	LEVER,SAFETY	1	
100	8323840020	SPRING,RETURN	1	
101	8803840120	LEVER,THROTTLE	1	
103	3223840020	GROMMET	1	
106	9934604020	SCREW	1	
107	99431050303	SCREW 5X30 BLACK	1	
108	99101050043	NUT,5	1	
110	1563718080	CORD,STOP	1	
120	8873718080	WIRE,THROTTLE	1	
125	8853718080	WIRE,THROTTLE ASS'Y	1	



ITEM	PART NUMBER	DESCRIPTION	QTY	COMMENTS
1	3003786190	CASE, GEAR ASS'Y	1	~W193150
1	3003786191	CASE, GEAR ASS'Y	1	W193151~
2	99461050254	BOLT, HEX HOLE, 5X25S	2	
4	99351028002	RING, STOP, IN, C-28	1	
5	99350012002	RING, STOP, C-12 EX	1	
6	99961600102	BEARING, BALL, #6001Z	1	
7	99961600100	BEARING, BALL, #6001	1	
9	3003339221	CASE, GEAR	1	
11	99461050124	BOLT, HEX, 5X12S	1	
12	99423080100	BOLT, 8X10	1	
13	99961600000	BEARING, BALL, #6000	1	
15	3043785020	SHAFT, GEAR	1	~W193150
15	3043785021	SHAFT, GEAR	1	W193151~
16	99961620303	BEARING, BALL, #6203D	1	
17	99351040002	RING, STOP, C40	1	
18	3103710022	HOLDER, CUTTER	1	
19	3113786120	CAP, CUTTER HOLDER	2	
20	3073710081	COVER, PROTECTION	1	
21	99416050162	SCREW, 5X16/WS	3	
22	3133810020	NUT, FIXING L.H. 10X1.25	1	
23	32437110200	WASHER, GEAR CASE	2	
26	99481060254	SCREW, HEX HOLE 6X25	2	
28	4423712120	BRACKET, COVER 30 DIA	1	
29	4413713020	SAFETY GUARD, 30MM	1	
30	4453738020	HOLDER, GUARD	1	
31	4473738020	EXTENSION, GUARD	1	
32	7973738021	LIMITER, LINE	1	
34	99414050121	SCREW, S, 5X12	1	
35	3013710000	SET, GEAR/PINION	1	
36	99101050011	NUT, 5	1	
45	3273718090	PIN, COTTER 2X20 (10 PK)	1	~W193150
50	3083786120	COVER, BOLT PROTECTOR	1	



ITEM	PART NUMBER	DESCRIPTION	QTY	COMMENTS
46	6153722420	COVER,CUTTER	1	
47	8132000020	WRENCH,HEX 4	1	
48	8142000020	WRENCH,HEX 5	1	
49	8262000080	WRENCH,BOX COMBI 17X19	1	



ITEM	PART NUMBER	DESCRIPTION	QTY	COMMENTS
1-0	7833384090	HEAD,BRAIN TH-97L	1	Units with female gear case (units prior to 2000)
1-0	7833384290	BRAIN HEAD (TH97LN)	1	Units with male gear case (units after 2000)
1-1	7863384090	BODY, TH-95L	1	
1-2	7883367021	EYELET	2	
1-4	7853384020	BASE,ADJUSTMENT TH97L	1	
1-5	7933391020	SPRING,REEL,SILVER	1	
1-6	79233004200	WASHER,REEL	1	
1-7	7873384020	REEL,TH97	1	
1-8	6733560020	BALL,STEEL	3	
1-9	7903381020	SLIDER,REEL	1	
1-10	7893384020	CAP,CUTTING BODY,TH-97L	1	
1-11	3143367020	BOLT,8X1.25 LH GOLD	1	Units with female gear case (units prior to 2000)
1-12	31533970200	NUT,AQUA,10X1.25,LH	1	Units with male gear case (units after 2000)