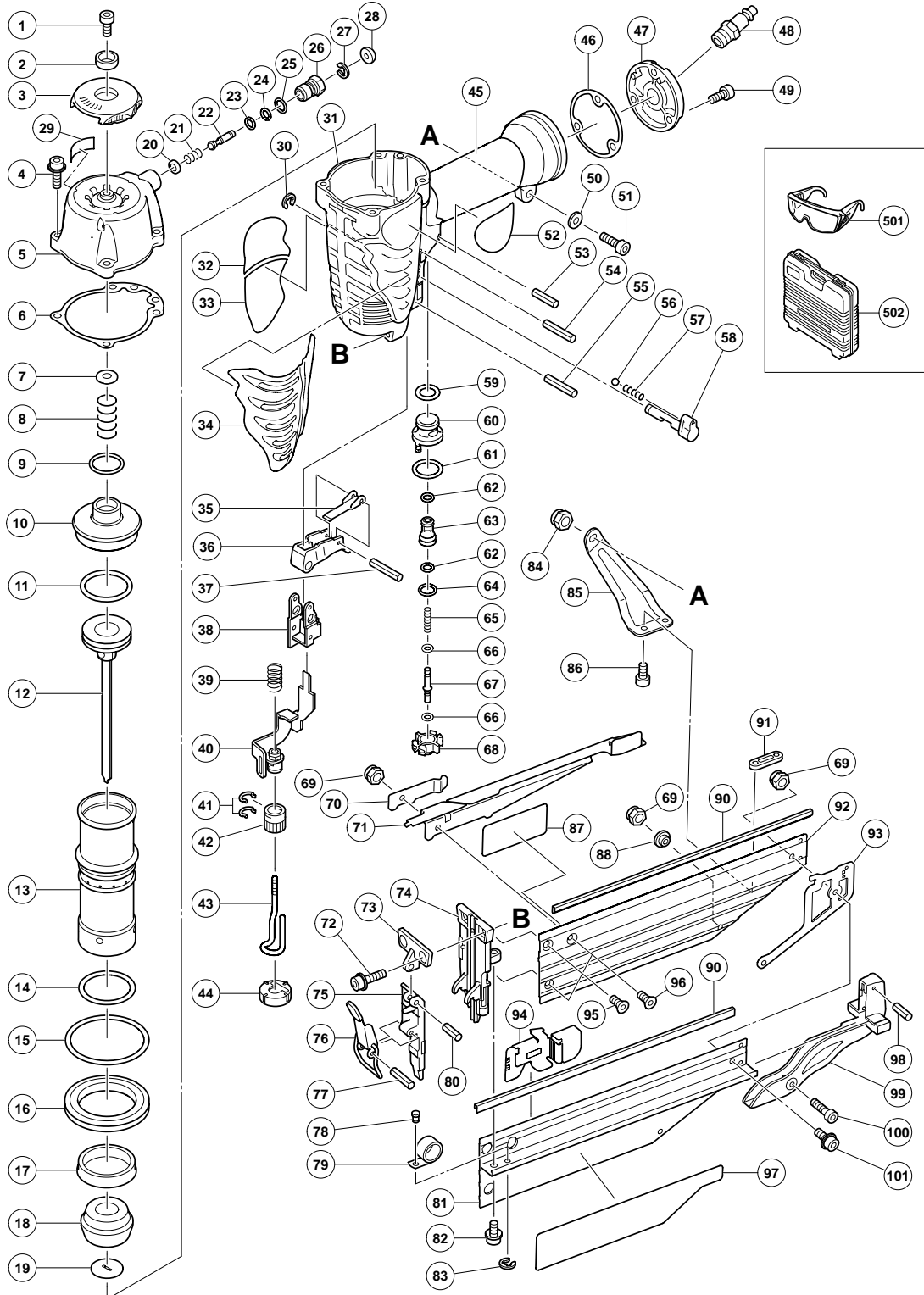


PNEUMATIC TOOL PARTS LIST

FINISH NAILER
Model NT 65M2

2005 • 11 • 15
(E1)



PARTS

NT 65M2

ITEM NO.	CODE NO.	DESCRIPTION	NO. USED	REMARKS
1	949-657	HEX. SOCKET HD. BOLT M6X12 (10 PCS.)	1	
2	880-515	PLATE	1	
3	885-673	TOP COVER	1	
4	885-637	HEX. SOCKET HD. BOLT (W/SP. WASHER) M5X25	4	
5	885-671	EXHAUST COVER	1	
6	885-672	GASKET	1	
7	882-914	HEAD BUMPER	1	
8	882-913	HEAD VALVE SPRING	1	
9	883-992	O-RING (I.D 20.8)	1	
10	882-927	HEAD VALVE (A)	1	
11	885-668	O-RING (I.D 31.7)	1	
12	885-667	PISTON	1	
13	885-663	CYLINDER	1	
14	885-690	O-RING (S-44)	1	
15	885-665	O-RING (I.D 59.6)	1	
16	885-664	CYLINDER PLATE	1	
17	885-666	CYLINDER RING	1	
18	885-669	PISTON BUMPER	1	
19	885-670	BUMPER SHEET	1	
20	884-338	VALVE PACKING	1	
21	881-900	SPRING	1	
22	884-333	PLUNGER	1	
23	881-715	O-RING (S3)	1	
24	873-093	O-RING (1AP-3)	1	
25	987-105	O-RING (S-10)	1	
26	882-701	VALVE BUSHING	1	
27	968-643	RETAINING RING (E-TYPE) FOR D4 SHAFT	1	
28	884-334	KNOB	1	
29		CAUTION PLATE	1	
30	955-479	RETAINING RING (E-TYPE) FOR D6 SHAFT	1	
31	885-662	BODY ASS'Y	1	INCLUD. 45
32		NAME PLATE	1	
33		NAME PLATE (B)	1	
34	885-675	PROTECTOR	1	
35	885-689	TRIGGER ARM (C)	1	
36	885-657	TRIGGER (C) ASS'Y	1	INCLUD. 35, 37
37	881-951	ROLL PIN D2.5X16	1	
38	885-640	PUSHING LEVER GUIDE	1	
39	885-638	PUSHING LEVER SPRING	1	
40	885-639	PUSHING LEVER (B)	1	
41	881-765	RATCHET SPRING	2	
42	884-325	ADJUSTER	1	
43	885-688	PUSHING LEVER (A)	1	
44	881-751	NOSE CAP (A)	1	
45		GRIP RUBBER (A)	1	SUPPLIED WITH ITEM NO. 601, 602
46	884-342	GASKET (B)	1	
47	885-674	CAP (A)	1	
48		AIR PLUG NPT 1/4	1	
49	949-821	HEX. SOCKET HD. BOLT M5X16 (10 PCS.)	3	
50	885-661	WASHER	1	
51	949-757	HEX. SOCKET HD. BOLT M5X20 (10 PCS.)	1	

PARTS

NT 65M2

ITEM NO.	CODE NO.	DESCRIPTION	NO. USED	REMARKS
52		HITACHI LABEL	1	
53	949-539	ROLL PIN D3X25 (10 PCS.)	1	
54	884-975	ROLL PIN D3X32	1	
55	949-866	ROLL PIN D3X30 (10 PCS.)	1	
56	959-155	STEEL BALL D3.97 (10 PCS.)	1	
57	982-454	SPRING (C)	1	
58	885-658	CHANGE KNOB (C)	1	
59	877-763	FEED PISTON O-RING (I.D.14)	1	
60	884-963	VALVE BUSHING (B)	1	
61	873-570	O-RING (P-18)	1	
62	676-531	O-RING (P-7)	2	
63	884-964	VALVE PISTON	1	
64	872-654	O-RING (1AP-10)	1	
65	884-966	PLUNGER SPRING	1	
66	878-888	O-RING (I.D 1.8)	2	
67	884-965	PLUNGER	1	
68	884-962	VALVE BUSHING (A)	1	
69	876-465	NYLON NUT M4	3	
70	885-646	COVER PLATE	1	
71	885-648	MAGAZINE COVER	1	
72	885-637	HEX. SOCKET HD. BOLT (W/SP. WASHER) M5X25	2	
73	885-635	GUIDE PLATE (B)	1	
74	885-636	BLADE GUIDE	1	
75	885-634	GUIDE PLATE (A)	1	
76	884-323	LOCK LEVER	1	
77	949-685	ROLL PIN D3X20 (10 PCS.)	1	
78	885-656	PIN	1	
79	885-655	RIBBON SPRING	1	
80	949-770	ROLL PIN D4X14 (10 PCS.)	1	
81	885-641	MAGAZINE (A)	1	
82	885-652	HEX. SOCKET HD. BOLT (W/SP. WASHER) M5X12	1	
83	872-971	RETAINING RING (E-TYPE) FOR D3 SHAFT	1	
84	877-371	NYLON NUT M5	1	
85	885-659	HANDLE ARM	1	
86	949-812	HEX. SOCKET HD. BOLT M4X10 (10 PCS.)	2	
87		LABEL	1	
88	885-649	SLEEVE	1	
90	885-643	NAIL RAIL	2	
91	885-660	ARM PLATE	1	
92	885-642	MAGAZINE (B)	1	
93	885-644	SPACER	1	
94	885-654	NAIL FEEDER	1	
95	885-651	NYLOCK HEX. SOCKET FLAT HD. BOLT M4X6	1	
96	885-650	NYLOCK HEX. SOCKET FLAT HD. BOLT M4X10	2	
97		LABEL (A)	1	
98	878-791	ROLL PIN D2.5X12	1	
99	885-645	MAGAZINE PROTECTOR	1	
100	949-754	HEX. SOCKET HD. BOLT M4X16 (10 PCS.)	1	
101	885-653	HEX. SOCKET HD. BOLT (W/SP. WASHER) M4X14	1	

STANDARD ACCESSORIES

NT 65M2

ITEM NO.	CODE NO.	DESCRIPTION	NO. USED	REMARKS	
501	885-549	SAFETY GLASSES	1		
502	885-676	CASE	1		

OPTIONAL ACCESSORIES

ITEM NO.	CODE NO.	DESCRIPTION	NO. USED	REMARKS	
601	881-768	GRIP TAPE (A)	1		
602	880-407	TAPE	2		