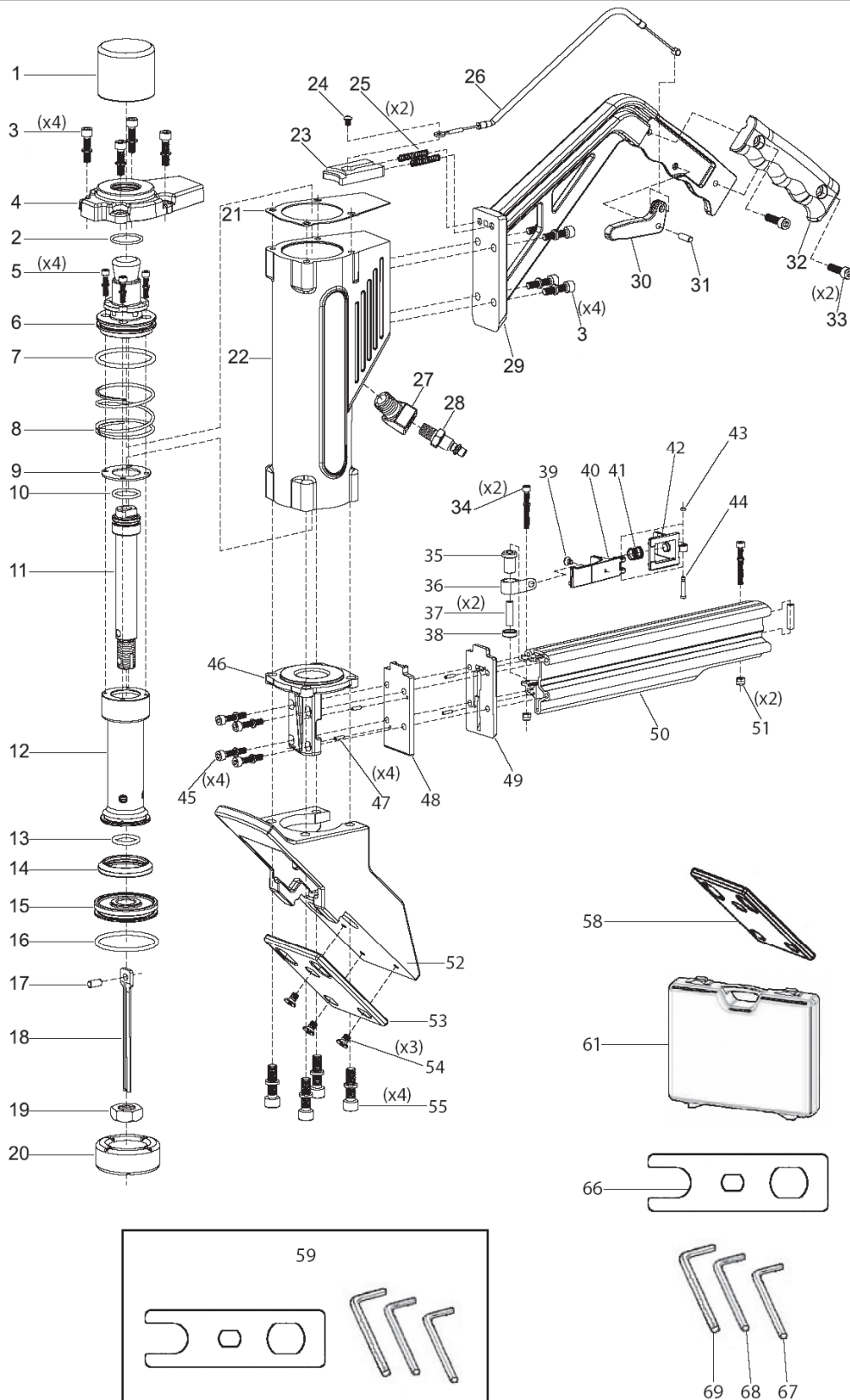


PNEUMATIC TOOL PARTS LIST

■ 2" FLOORING T/L CLEAT NAILER
Model NT50AF

2009 • 09 • 17
(E1)



Parts List

NT50AF

Item #	Code #	DESCRIPTION	NO USED	Remarks
1	330329	Ram Cap	1	
2	330330	O-Ring	1	
3	330331	Screw	4	
4	330332	Cap	1	
5	330333	Screws - Plunger	4	
6	330334	Plunger	1	
7	330335	O-Ring - Plunger O.D.	1	
8	330336	Return Spring	1	
9	330337	Gasket	1	
10	330338	O-Ring - Piston Rod O.D.	1	
11	330339	Piston Rod	1	
12	330340	Poppet	1	
13	330341	O-Ring - Poppet I.D.	1	
14	330342	Seal - Poppet O.D.	1	
15	330343	Piston	1	
16	330344	O-Ring - Piston O.D.	1	
17	330345	Ball Pin	1	
18	330390	Driver Blade - NT50AF	1	
19	330347	Lock Nut - Piston/Driver Blade	1	
20	330348	Piston Cushion	1	
21	330349	Plate	1	
22	330350	Body	1	
23	330351	Safety Plate	1	
24	330352	Screw - Safety Plate	1	
25	330353	Spring - Safety	2	
26	330354	Cable - Safety	1	
27	330355	Elbow	1	
28	190051	Quick Connect - Male	1	
29	330357	Handle	1	
30	330358	Safety Trigger	1	
31	330359	Pin - Safety Trigger	1	
32	330360	Cap - Handle	1	
33	330361	Screw - Handle Cap	2	
34	330362	Screw - Magazine Stand-Off	2	
35	330363	Spindle - Constant Force Spring	1	
36	330364	Constant Force Spring	1	
37	330365	Magazine Spacer / Stand-Off	2	
38	330366	Spindle Cap	1	
39	330367	Screw - Constant Force Spring	1	
40	330368	Pusher Finger	1	
41	330369	Spring - Compression	1	
42	330370	Pusher Bracket	1	
43	330371	O-Ring - Pusher Pivot Pin	1	
44	330372	Pusher Pivot Pin	1	
45	330373	Screws - Foot / Magazine	4	
46	330374	Foot	1	
47	330375	Spring Pin - Foot / Driver Guide Plate	4	
48	330376	Driver Guide Plate - NT50AF	1	
49	330377	Nose - NT50AF	1	
50	330378	Magazine - NT50AF	1	

