

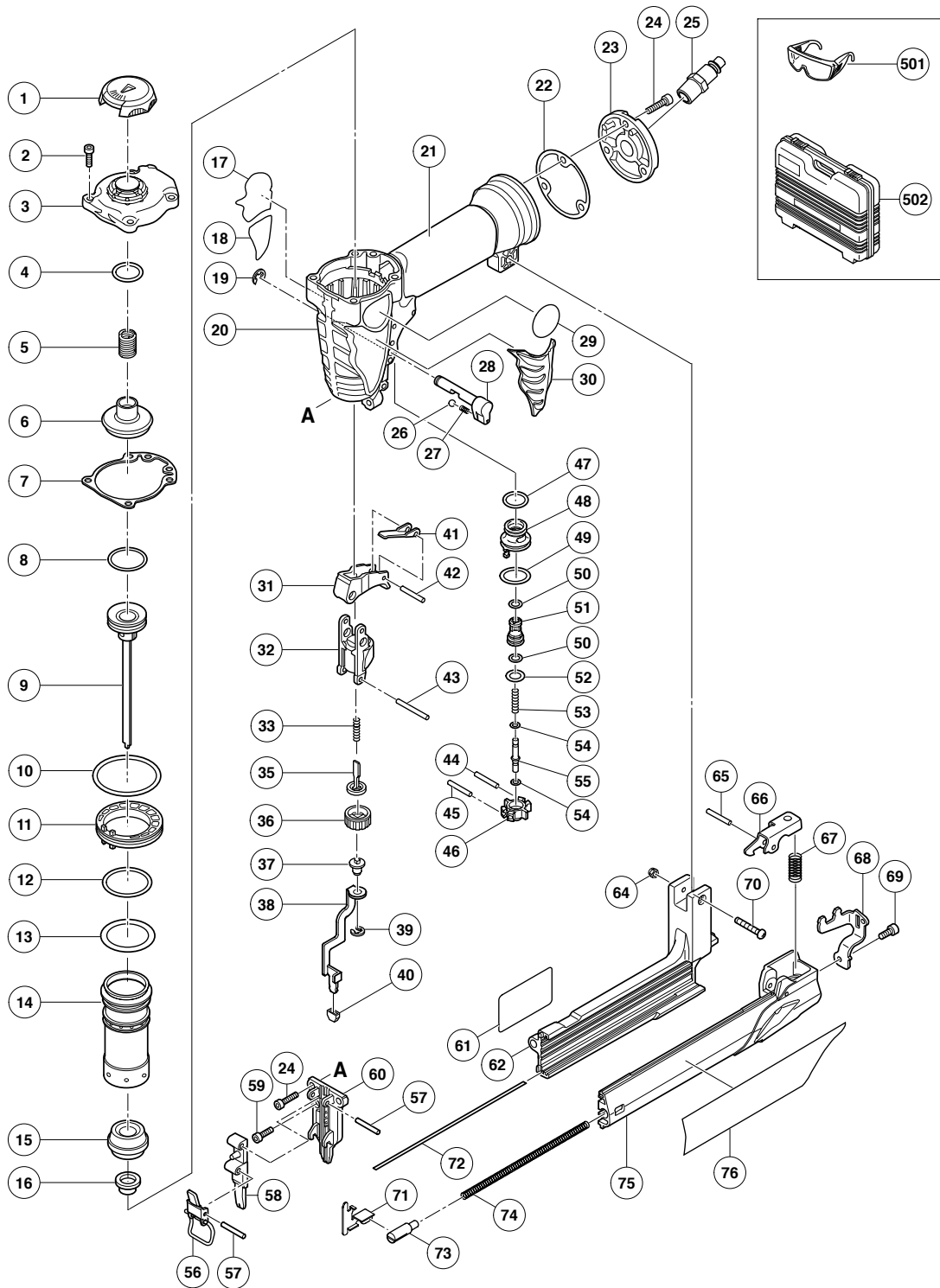
PNEUMATIC TOOL PARTS LIST

BRAD NAILER

2006 · 8 · 3

Model NT 32AE2

(E1)



PARTS

NT 32AE2

ITEM NO.	CODE NO.	DESCRIPTION	NO. USED	REMARKS
1	885-866	TOP COVER	1	
2	949-757	HEX. SOCKET HD. BOLT M5X20 (10 PCS.)	4	
3	885-903	EXHAUST COVER	1	
4	878-600	HEAD VALVE O-RING	1	
5	880-190	HEAD VALVE SPRING	1	
6	880-410	HEAD VALVE (A)	1	
7	885-868	GASKET	1	
8	885-869	O-RING (P22.4)	1	
9	885-904	PISTON	1	
10	885-871	O-RING (I.D 44.7)	1	
11	885-872	CYLINDER PLATE	1	
12	301-684	O-RING (S-30)	1	
13	986-374	O-RING (P-32)	1	
14	885-905	CYLINDER	1	
15	885-874	PISTON BUMPER	1	
16	885-906	BUMPER PIECE	1	
17	885-907	NAME PLATE	1	
18	885-877	WARNING LABEL	1	
19	955-479	RETAINING RING (E-TYPE) FOR D6 SHAFT	1	
20	885-878	BODY ASS'Y	1	INCLUD. 21
21		GRIP RUBBER (A)	1	SUPPLIED WITH ITEM NO. 601, 602
22	884-342	GASKET (B)	1	
23	885-959	CAP (A)	1	
24	949-821	HEX. SOCKET HD. BOLT M5X16 (10 PCS.)	5	
25		AIR PLUG NPT 1/4	1	
26	959-155	STEEL BALL D3.97 (10 PCS.)	1	
27	982-454	SPRING (C)	1	
28	885-658	CHANGE KNOB (C)	1	
29		HITACHI LABEL	1	
30	885-879	PROTECTOR	1	
31	885-657	TRIGGER (C) ASS'Y	1	INCLUD. 41, 42
32	885-880	PUSHING LEVER GUIDE	1	
33	885-881	PUSHING LEVER SPRING (A)	1	
35	885-883	PUSHING LEVER (C)	1	
36	885-884	ADJUSTER	1	
37	885-885	PUSHING LEVER (B)	1	
38	885-908	PUSHING LEVER (A)	1	
39	872-971	RETAINING RING (E-TYPE) FOR D3 SHAFT	1	
40	885-887	NOSE CAP	1	
41	885-689	TRIGGER ARM (C)	1	
42	881-951	ROLL PIN D2.5X16	1	
43	949-539	ROLL PIN D3X25 (10 PCS.)	1	
44	949-539	ROLL PIN D3X25 (10 PCS.)	1	
45	884-975	ROLL PIN D3X32	1	
46	884-962	VALVE BUSHING (A)	1	
47	877-763	FEED PISTON O-RING (I.D.14)	1	
48	884-963	VALVE BUSHING (B)	1	
49	873-570	O-RING (P-18)	1	
50	676-531	O-RING (P-7)	2	
51	884-964	VALVE PISTON	1	
52	872-654	O-RING (1AP-10)	1	

