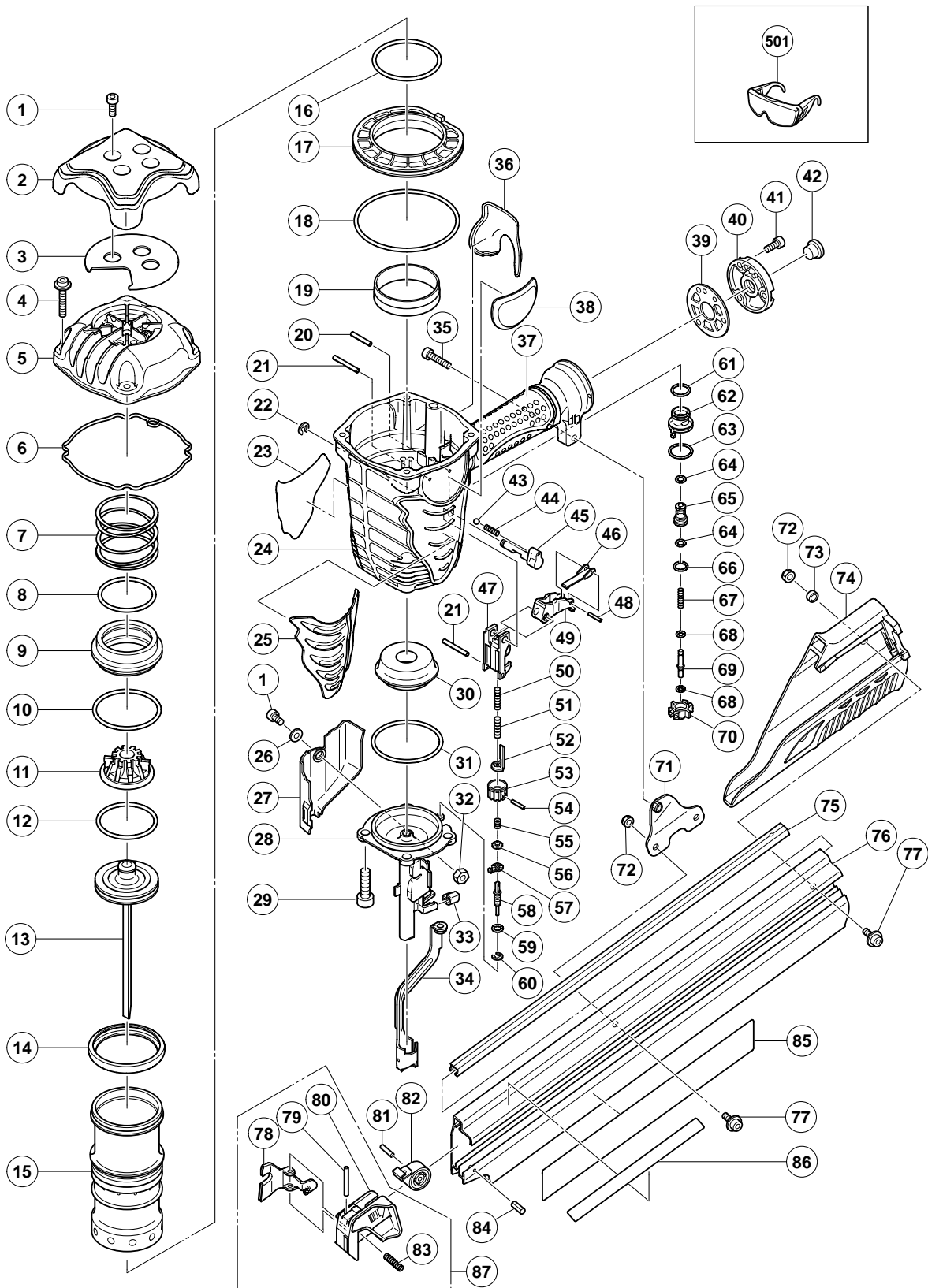


PNEUMATIC TOOL PARTS LIST

■ STRIP NAILER
Model NR 90AE

2005 • 8 • 5
(E1)



PARTS

NR 90AE

ITEM NO.	CODE NO.	DESCRIPTION	NO. USED	REMARKS
1	949-665	HEX. SOCKET HD. BOLT M5X14 (10 PCS.)	5	
2	884-952	HEAD GUARD	1	
3	884-986	SHEET	1	
4	878-877	HEX. SOCKET HD. BOLT (W/FLANGE) M6X30	4	
5	884-951	EXHAUST COVER	1	
6	884-953	GASKET (A)	1	
7	884-949	HEAD VALVE SPRING	1	
8	884-947	O-RING (I.D 49.4)	1	
9	884-946	HEAD VALVE	1	
10	884-948	O-RING (I.D 59.4)	1	
11	884-950	EXHAUST VALVE RUBBER	1	
12	884-958	PISTON O-RING	1	
13	885-519	PISTON	1	
14	884-945	VALVE RUBBER	1	
15	885-520	CYLINDER	1	
16	884-942	O-RING (I.D 59.6)	1	
17	884-944	CYLINDER PLATE	1	
18	884-943	O-RING (I.D 94.6)	1	
19	877-317	CYLINDER RING	1	
20	949-539	ROLL PIN D3X25 (10 PCS.)	1	
21	884-975	ROLL PIN D3X32	2	
22	955-479	RETAINING RING (E-TYPE) FOR D6 SHAFT	1	
23		NAME PLATE	1	
24	884-940	BODY ASS'Y	1	INCLUD. 36, 37
25	884-956	PROTECTOR	1	
26	876-205	WASHER	1	
27	884-976	PUSHING LEVER COVER (A)	1	
28	885-521	NOSE	1	
29	306-437	NYLOCK HEX. SOCKET HD. BOLT M8X30	4	
30	884-959	PISTON BUMPER	1	
31	884-989	O-RING (I.D 60)	1	
32	877-371	NYLON NUT M5	1	
33	884-985	NOSE RUBBER	2	
35	949-670	HEX. SOCKET HD. BOLT M6X22 (10 PCS.)	1	
36	884-987	GRIP RUBBER (B)	1	
37		GRIP RUBBER (A)	1	SUPPLIED WITH ITEM NO. 601, 602
38		HITACHI LABEL	1	
39	883-678	GASKET (B)	1	
40	884-954	CAP	1	
41	949-821	HEX. SOCKET HD. BOLT M5X16 (10 PCS.)	3	
42	872-035	DUST CAP	1	
43	959-155	STEEL BALL D3.97 (10 PCS.)	1	
44	884-970	PUSHING LEVER (A)	1	
44	982-454	SPRING (C)	1	
45	884-968	CHANGE KNOB (C)	1	
46	884-988	TRIGGER ARM (C)	1	
47	884-969	PUSHING LEVER GUIDE	1	
48	881-951	ROLL PIN D2.5X16	1	
49	884-967	TRIGGER (C)	1	INCLUD. 46, 48
50	883-302	PUSHING LEVER SPRING (B)	1	
51	883-305	PUSHING LEVER SPRING (A)	1	

PARTS

NR 90AE

ITEM NO.	CODE NO.	DESCRIPTION	NO. USED	REMARKS
52	884-972	PUSHING LEVER (C)	1	
53	884-974	ADJUSTER	1	
54	880-093	ROLL PIN D2X16	1	
55	882-890	ADJUSTER SPRING	1	
56	884-973	ADJUSTER PLATE (C)	1	
57	882-886	ADJUSTER PLATE (A)	1	
58	884-971	PUSHING LEVER (B)	1	
59	872-822	O-RING (S-5)	1	
60	872-971	RETAINING RING (E-TYPE) FOR D3 SHAFT	1	
61	877-763	FEED PISTON O-RING (I.D.14)	1	
62	884-963	VALVE BUSHING (B)	1	
63	873-570	O-RING (P-18)	1	
64	676-531	O-RING (P-7)	2	
65	884-964	VALVE PISTON	1	
66	872-654	O-RING (1AP-10)	1	
67	884-966	PLUNGER SPRING	1	
68	878-888	O-RING (I.D 1.8)	2	
69	884-965	PLUNGER	1	
70	884-962	VALVE BUSHING (A)	1	
71	885-522	HANDLE ARM	1	
72	963-837	NYLON NUT M6	3	
73	883-499	SLEEVE	1	
74	885-523	MAGAZINE COVER	1	
75	885-524	NAIL RAIL	1	
76	885-525	MAGAZINE	1	
77	984-443	HEX. SOCKET HD. BOLT (W/FLANGE) M6X12	3	
78	885-526	NAIL FEEDER (A)	1	
79	949-547	ROLL PIN D4X36 (10 PCS.)	1	
80	885-527	NAIL FEEDER (B)	1	
81	943-364	NEEDLE ROLLER D4X20	1	
82	883-503	RIBBON SPRING	1	
83	885-528	FEEDER SPRING	1	
84	949-749	ROLL PIN D3X8 (10 PCS.)	1	
85	885-529	LABEL (B)	1	
86		LABEL (C)	1	
87	885-530	NAIL FEEDER ASS'Y	1	INCLUD. 78-80, 83

STANDARD ACCESSORIES

NR 90AE

ITEM NO.	CODE NO.	DESCRIPTION	NO. USED	REMARKS
501	875-769	SAFETY GLASSES	1	

OPTIONAL ACCESSORIES

ITEM NO.	CODE NO.	DESCRIPTION	NO. USED	REMARKS
601	881-768	GRIP TAPE (A)	1	
602	880-407	TAPE	1	