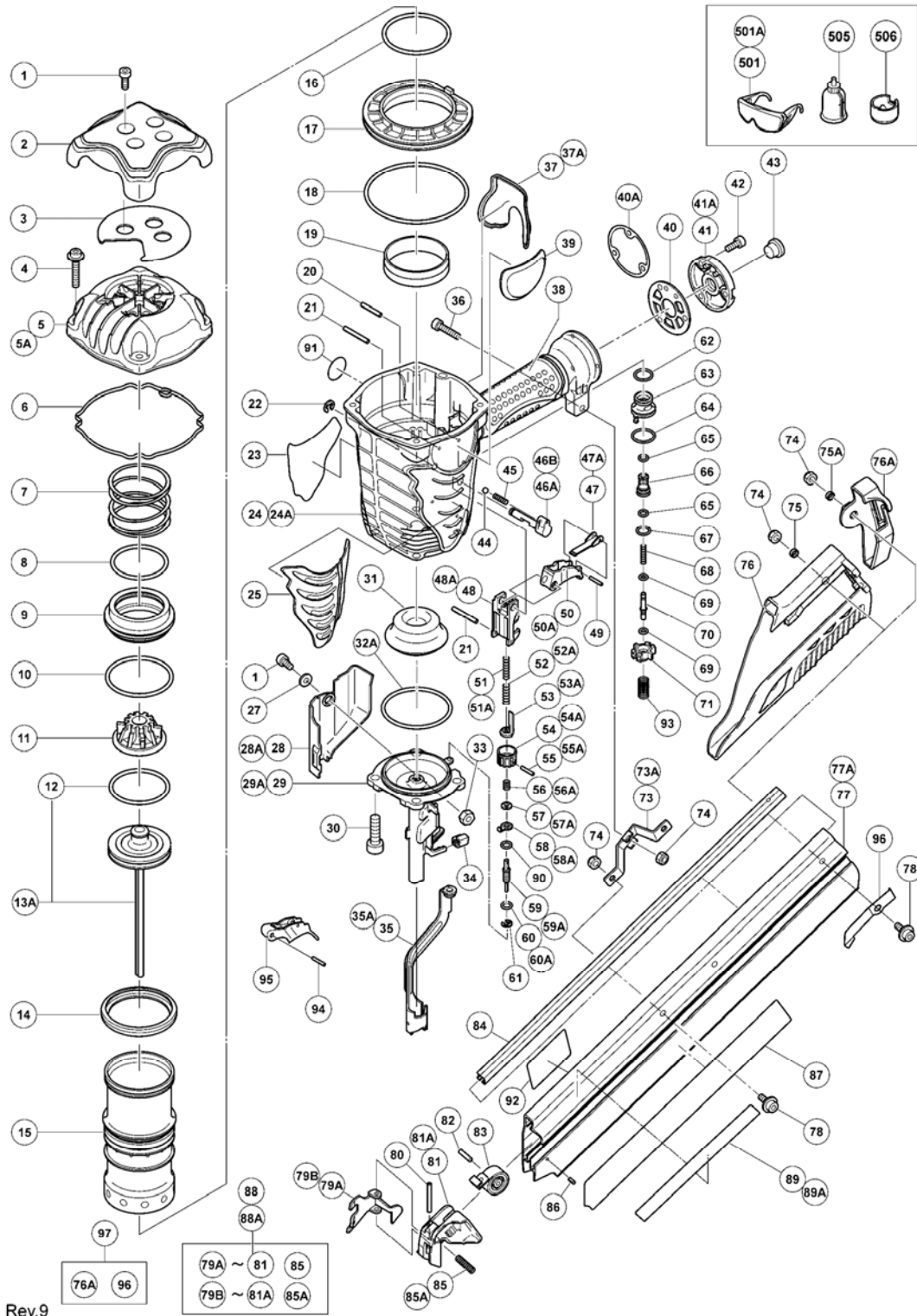


PNEUMATIC TOOL PARTS LIST

■ STRIP NAILER
Model NR90AD (PR)

2010 • 06 • 23
(E1)



PARTS

NR90AD (PR)

ITEM NO.	CODE NO.	DESCRIPTION	NO. USED	REMARKS
1	949665	HEX. SOCKET HD. BOLT M5X14 (10 PCS.)	5	
2	884952	HEAD GUARD	1	
3	884986	SHEET	1	
4	878877	HEX. SOCKET HD. BOLT (W/FLANGE) M6X30	4	
5	884951	EXHAUST COVER	1	
5A	886261	EXHAUST COVER	1	FOR EUROPE.USA.CAN
6	884953	GASKET (A)	1	
7	884949	HEAD VALVE SPRING	1	
8	884947	O-RING (I.D 49.4)	1	
9	884946	HEAD VALVE	1	
10	884948	O-RING (I.D 59.4)	1	
11	884950	EXHAUST VALVE RUBBER	1	
12	884958	PISTON O-RING	1	
13A	885917	PISTON ASS'Y	1	INCLUD.12
14	884945	VALVE RUBBER	1	
15	884941	CYLINDER	1	
16	884942	O-RING (I.D 59.6)	1	
17	884944	CYLINDER PLATE	1	
18	884943	O-RING (I.D 94.6)	1	
19	877317	CYLINDER RING	1	
20	949539	ROLL PIN D3X25 (10 PCS.)	1	
21	884975	ROLL PIN D3X32	2	
22	955479	RETAINING RING (E-TYPE) FOR D6 SHAFT	1	
23		NAME PLATE	1	
24	884940	BODY ASS'Y	1	INCLUD.37.38
24A	886259	BODY ASS'Y	1	INCLUD.37A.38 FOR EUROPE.USA.CAN
25	884956	PROTECTOR	1	FOR AUS.NZL
27	876205	WASHER	1	
28	884976	PUSHING LEVER COVER (A)	1	
28A	886874	PUSH LEVER COVER (A)	1	FOR EUROPE.USA.CAN
29	884961	NOSE	1	
29A	886863	NOSE	1	FOR EUROPE.USA.CAN
30	306437	NYLOCK HEX. SOCKET HD. BOLT M8X30	4	
31	884959	PISTON BUMPER	1	
32A	884989	O-RING (I.D 60)	1	
33	877371	NYLON NUT M5	1	
34	884985	NOSE RUBBER	2	
35	884970	PUSHING LEVER (A)	1	
35A	886865	PUSHING LEVER (A) ASS'Y	1	FOR EUROPE.USA.CAN
36	949670	HEX. SOCKET HD. BOLT M6X22 (10 PCS.)	1	
37	884987	GRIP RUBBER (B)	1	
37A	886260	GRIP RUBBER (B)	1	FOR EUROPE.USA.CAN
38		GRIP RUBBER (A)	1	SEE ITEMS 601 & 602
39		HITACHI LABEL	1	
40	883678	GASKET (B)	1	
40A	884342	GASKET (B)	1	FOR EUROPE.USA.CAN
41	884954	CAP	1	
41A	881949	CAP	1	FOR EUROPE.USA.CAN
42	949821	HEX. SOCKET HD. BOLT M5X16 (10 PCS.)	3	
43	872035	DUST CAP	1	
44	959155	STEEL BALL D3.97 (10 PCS.)	1	
45	982454	SPRING (C)	1	
46A	885658	CHANGE KNOB (C)	1	
46B	886265	CHANGE KNOB (C)	1	FOR EUROPE.USA.CAN
47	884988	TRIGGER ARM (C)	1	
47A	885689	TRIGGER ARM (C)	1	FOR EUROPE.USA.CAN
48	884969	PUSHING LEVER GUIDE	1	FOR AUS
*48	884995	PUSH LEVER GUIDE(B)	1	FOR NZL
48A	886864	PUSHING LEVER GUIDE	1	FOR EUROPE.USA.CAN
49	881951	ROLL PIN D2.5X16	1	

Parts

NR90AD (PR)

ITEM NO.	CODE NO.	DESCRIPTION	NO. USED	REMARKS
50	884967	TRIGGER (C)	1	INCLUD.47.49
50A	885657	TRIGGER (C) ASS'Y	1	INCLUD.47A.49 FOR EUROPE.USA.CAN
51	883302	PUSHING LEVER SPRING (B)	1	
*51	884399	PUSHING LEVER SPRING (D)	1	FOR EUROPE
51A	886861	PUSH LEVER SPRING (B)	1	FOR USA.CAN
52	883305	PUSHING LEVER SPRING (A)	1	
*52	884398	PUSHING LEVER SPRING (C)	1	FOR EUROPE
52A	886860	PUSH LEVER SPRING (A)	1	FOR USA.CAN
53	884972	PUSHING LEVER (C)	1	
53A	886867	PUSH LEVER (C)	1	FOR EUROPE.USA.CAN
54	884974	ADJUSTER	1	
54A	886872	ADJUSTER	1	FOR EUROPE.USA.CAN
55	880093	ROLL PIN D2X16	1	
55A	886873	ROLL PIN D2X16	1	FOR EUROPE.USA.CAN
56	882890	ADJUSTER SPRING	1	
56A	886870	ADJUSTER SPRING	1	FOR EUROPE.USA.CAN
57	884973	ADJUSTER PLATE (C)	1	
57A	886869	ADJUSTER PLATE (C)	1	FOR EUROPE.USA.CAN
58	882886	ADJUSTER PLATE (A)	1	
58A	886868	ADJUSTER PLATE (A)	1	FOR EUROPE.USA.CAN
59	884971	PUSHING LEVER (B)	1	
59A	886866	PUSH LEVER (B)	1	FOR EUROPE.USA.CAN
60	872822	O-RING (S-5)	1	
60A	886871	O-RING	1	FOR EUROPE.USA.CAN
61	872971	RETAINING RING (E-TYPE) FOR D3 SHAFT	1	
62	877763	FEED PISTON O-RING (I.D. 14)	1	
63	884963	VALVE BUSHING (B)	1	
64	873570	O-RING (P-18)	1	
65	676531	O-RING (P-7)	2	
66	884964	VALVE PISTON	1	
67	872654	O-RING (1AP-10)	1	
68	884966	PLUNGER SPRING	1	
69	878888	O-RING (I.D. 1.8)	2	
70	884965	PLUNGER	1	
71	884962	VALVE BUSHING (A)	1	
73	884984	HANDLE ARM	1	
73A	886877	HANDLE ARM	1	FOR EUROPE.USA.CAN
74	963837	NYLON NUT M6	4	
75	883499	SLEEVE	1	
75A	886273	SLEEVE	1	FOR EUROPE.USA.CAN
76	884979	MAGAZINE COVER	1	
76A	887493	MAGAZINE COVER	1	FOR EUROPE.USA.CAN
77	884977	MAGAZINE	1	
77A	886858	MAGAZINE	1	FOR EUROPE.USA.CAN
78	984443	HEX. SOCKET HD. BOLT (W/FLANGE) M6X12	3	
79A	884981	NAIL FEEDER (A)	1	
79B	886875	NAIL FEEDER (A) ASS'Y	1	FOR EUROPE.USA.CAN
80	949682	ROLL PIN D4X32 (10 PCS.)	1	
81	884982	NAIL FEEDER (B)	1	
81A	886876	NAIL FEEDER (B)	1	FOR EUROPE.USA.CAN
82	943364	NEEDLE ROLLER D4X20	1	
83	883503	RIBBON SPRING	1	
84	884978	NAIL RAIL	1	
85	884983	FEEDER SPRING	1	
85A	886278	FEEDER SPRING	1	FOR EUROPE.USA.CAN
86	949749	ROLL PIN D3X8 (10 PCS.)	1	
87	884955	LABEL (B)	1	FOR AUS.NZL
88	884980	NAIL FEEDER ASS'Y	1	INCLUD.79-81.85
88A	887490	NAIL FEEDER (B)	1	INCLUD.79A.80.81A.85A FOR EUROPE.USA.CAN
89		LABEL (C)	1	
89A	887489	LABEL (C)	1	FOR EUROPE.USA.CAN

