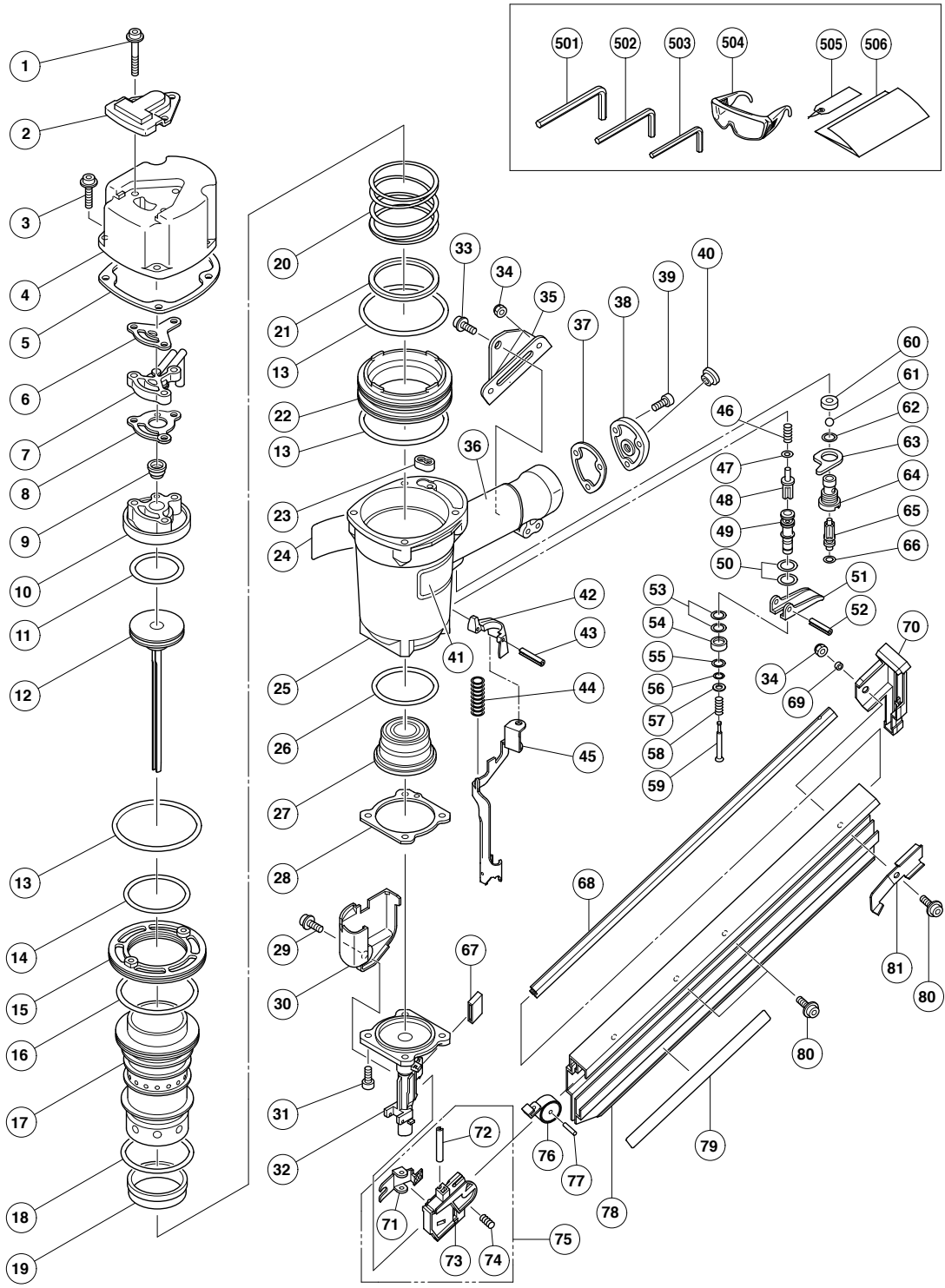


## PNEUMATIC TOOL PARTS LIST

■ STRIP NAILER  
Model NR 83AA3

2006 · 4 · 10  
(E2)



## PARTS

NR 83AA3

ITEM NO.	CODE NO.	DESCRIPTION	NO. USED	REMARKS
1	883-509	HEX. SOCKET HD. BOLT (W/FLANGE) M6X45	3	
2	877-330	TOP COVER	1	
3	883-507	HEX. SOCKET HD. BOLT (W/SP. WASHER) M6X25	4	
4	877-324	EXHAUST COVER	1	
5	877-325	GASKET (B)	1	
6	877-329	GASKET (F)	1	
7	877-328	EXHAUST PIECE	1	
8	877-854	GASKET (C)	1	
9	884-110	EXHAUST VALVE (ORANGE)	1	
10	877-307	HEAD CAP AND GASKET SET	1	INCLUD. 8
11	877-368	O-RING (1AP-48)	1	
12	883-510	PISTON	1	
13	877-316	O-RING (S-90)	3	
14	877-312	CYLINDER O-RING (I.D 63.1)	1	
15	877-318	CYLINDER PLATE	1	
16	877-313	CYLINDER O-RING (I.D 79.3)	1	
17	884-068	CYLINDER	1	
18	877-314	CYLINDER O-RING (I.D 69.3)	1	
19	877-317	CYLINDER RING	1	
20	877-321	CYLINDER SPRING	1	
21	877-322	BASE WASHER	1	
22	877-310	CYLINDER GUIDE	1	
23	877-327	GASKET (G)	1	
24	884-070	WARNING LABEL	1	
25	883-506	BODY ASS'Y	1	INCLUD. 36
26	877-315	CYLINDER O-RING (I.D 63.9)	1	
27	883-511	PISTON BUMPER (B)	1	
28	877-334	GASKET (A)	1	
29	882-974	NYLOCK BOLT (W/FLANGE) M6X12	1	
30	883-493	GUARD	1	
31	883-492	NYLOCK HEX. SOCKET HD. BOLT M8X22	4	
32	883-490	NOSE	1	
33	883-505	NYLOCK BOLT (W/FLANGE) M8X16	1	
34	963-837	NYLON NUT M6	3	
35	883-504	HANDLE ARM	1	
36		GRIP RUBBER	1	(SUPPLIED WITH ITEM NO. 605, 606)
37	877-331	GASKET (D)	1	
38	878-311	CAP	1	
39	949-658	HEX. SOCKET HD. BOLT M5X18 (10 PCS.)	3	
40	872-035	DUST CAP	1	
41		NAME PLATE	1	
42	884-119	GUARD (B)	1	
43	884-025	ROLL PIN D3X45	1	
44	884-117	SPRING	1	
45	884-118	PUSHING LEVER	1	
46	875-643	PLUNGER SPRING	1	
47	874-436	O-RING (P-4)	1	
48	884-113	PLUNGER (A)	1	
49	884-111	VALVE BUSHING	1	
50	884-112	O-RING (I.D 10.7)	2	
51	876-203	TRIGGER	1	



