

# **Tanaka** Illustrated Parts Manual

Model Number:

**HTD-2526PF**

**26" HEDGETRIMMER**

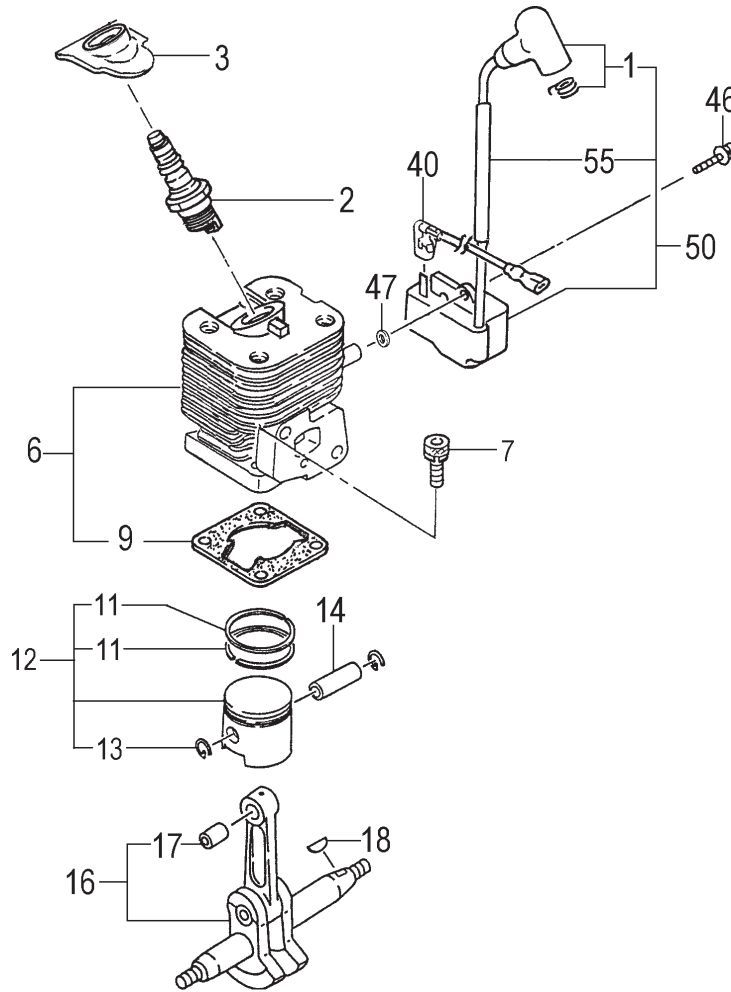
P/N 30217

Rev 000

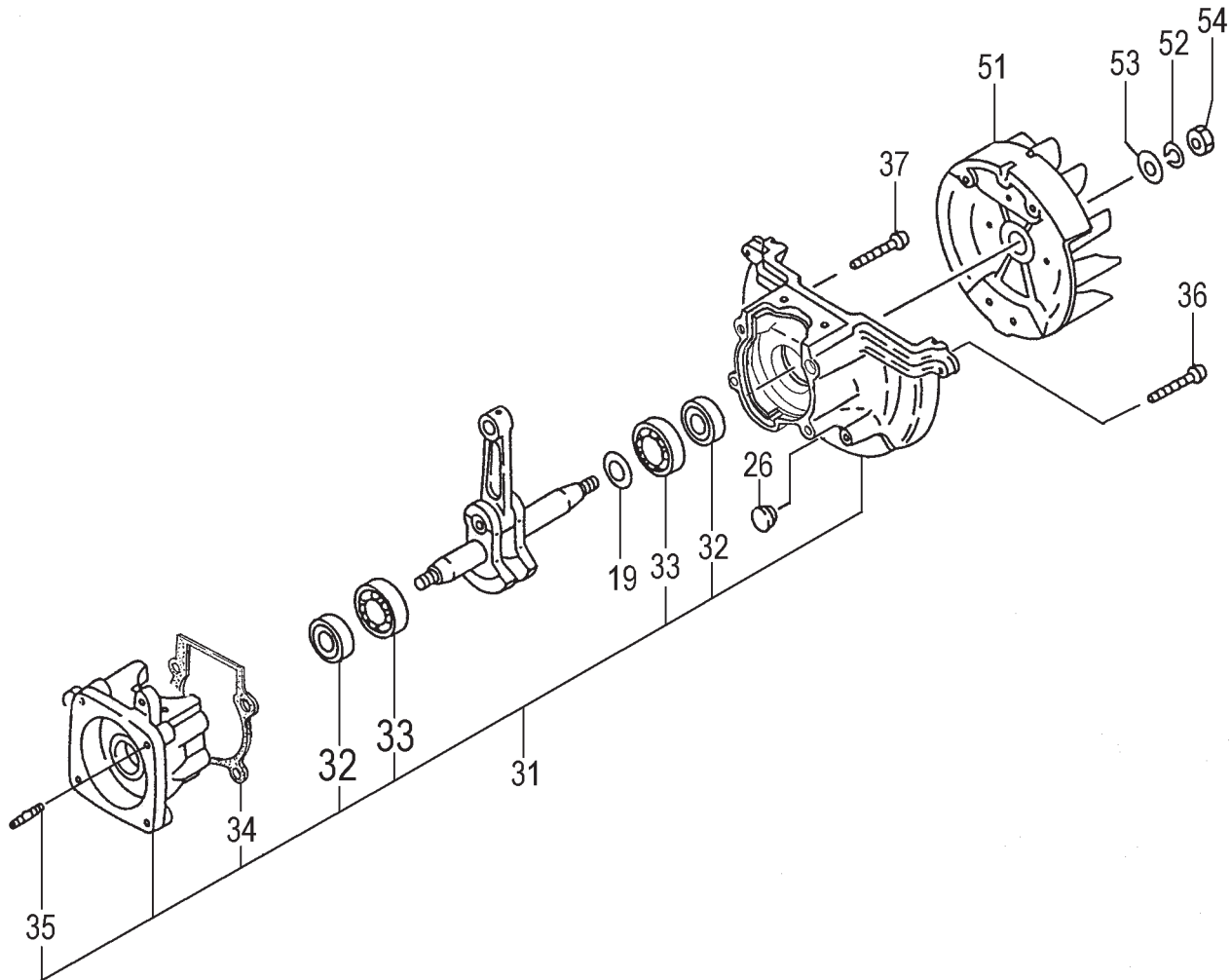
Date 9-17-08



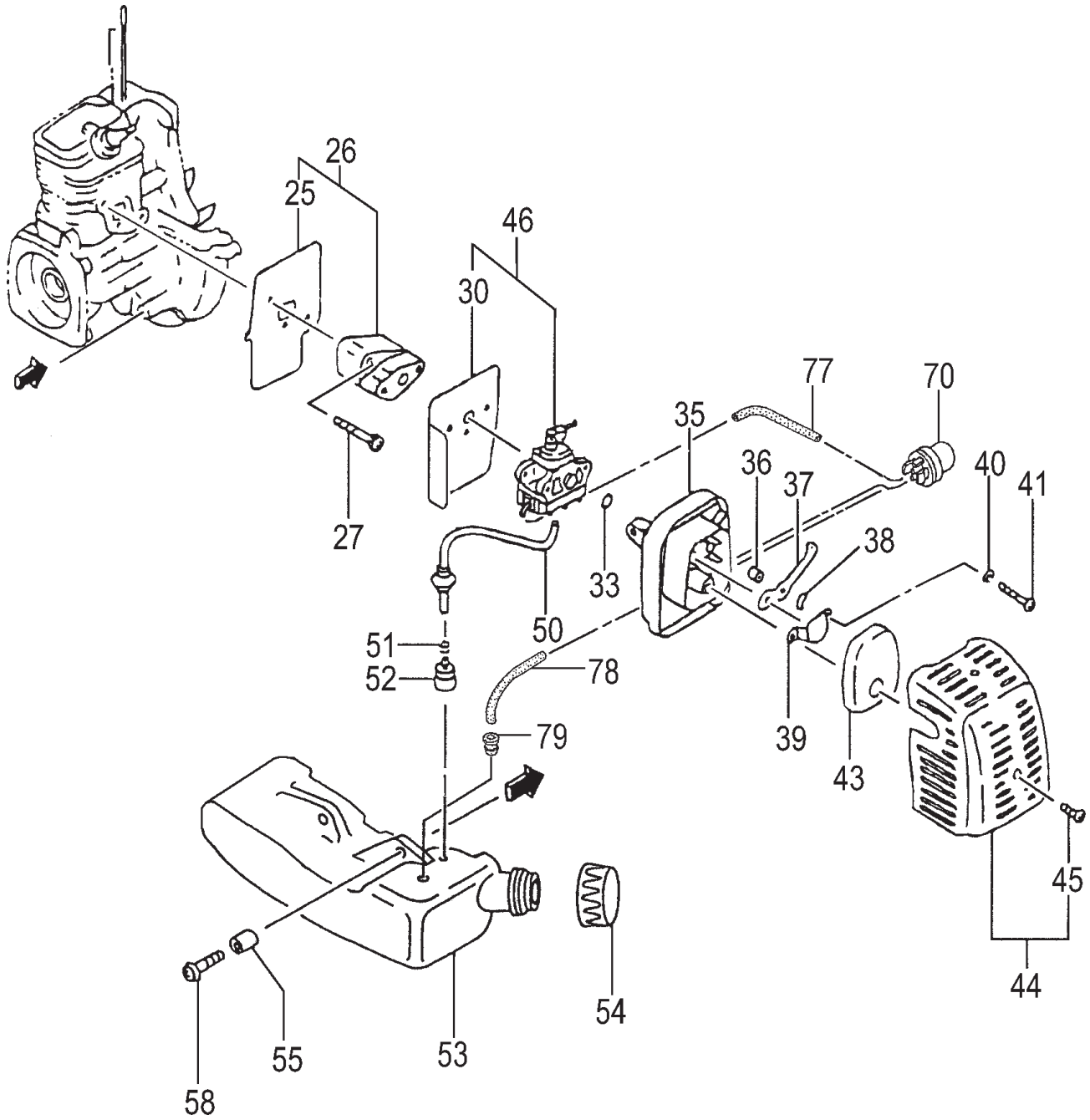
Nikko Tanaka Engineering U.S.A., Ltd. • 1028 4<sup>th</sup> Street SW, Bldg B • Auburn, WA 98001 • Phone: (253) 333-1200 • Fax: (253) 333-1212



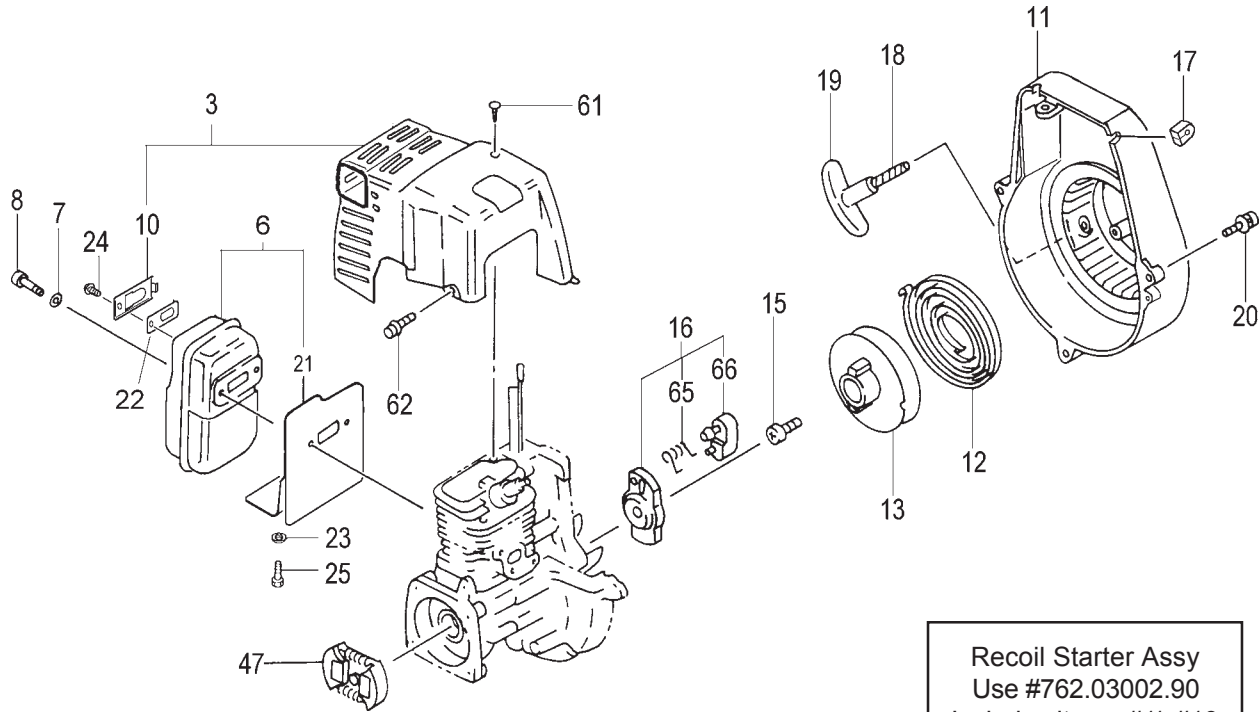
ITEM	PART NUMBER	DESCRIPTION	QTY	COMMENTS
1-1	1570168090	CAP, SPARK PLUG ASS'Y	1	
1-2	0181166021	PLUG, SPARK	1	
1-3	2550168020	COVER, SPARK PLUG, RUBBER	1	
1-6	0010300290	SET, CYLINDER	1	Includes gasket
1-7	99461050184	BOLT, HEX, 5X18, S	4	
1-9	0170300220	GASKET, CYLINDER	2	S/N ~A047500 requires 2 gaskets
1-9	0170300221	GASKET, CYLINDER	1	S/N A047500~ requires 1 gaskets
1-11	04101601200	RING, PISTON	2	
1-12	0300168090	PISTON SET	1	Includes rings & circlips
1-13	03900000201	CIRCLIP, PISTON PIN	2	
1-14	03701700200	PIN, PISTON	1	
1-16	0460300280	CRANKSHAFT	1	
1-17	99962091325	BEARING, NEEDLE, F-910	1	
1-18	06810100200	KEY, WOODRUFF, 3X13X4.5	1	
1-40	1780300280	CORD, B, 140M	1	
1-46	99464040184	BOLT, HEX 4x18WS	2	
1-47	1820186A201	WASHER, SPECIAL	2	
1-50	1672174390	COIL, IGNITION ASS'Y	1	
1-55	2500168020	TUBE, INSULATOR	1	



ITEM	PART NUMBER	DESCRIPTION	QTY	COMMENTS
2-19	33000200210	SHIM,12.2X19X.10	1	
2-19	33000200220	SHIM,12.2X19X.15	1	
2-19	33000200230	SHIM,12.2X19X.20	1	
2-19	33000200240	SHIM,12.2X19X.30	1	
2-26	2030300220	GROMMET	1	
2-31	0720300290	CRANKCASE	1	Includes bearings, seals and gasket
2-32	99966122206	SEAL,OIL,#TC12227	2	
2-33	99961600115	BEARING,BALL,6001 C3	2	
2-34	0900300220	GASKET,CRANKCASE	1	
2-35	10002100200	BOLT,STUD,6X22	2	
2-36	99461050304	BOLT,HEX,5X30S	2	
2-37	99414050451	SCREW,5X45/S	2	~A091100
2-37	99051050453	BOLT,HEX,5X45	2	A091101~
2-38	99210050062	WASHER,S,5	2	A091101~
2-51	1552174480	MAGNETO	1	
2-52	99210080012	WASHER,S,8	1	
2-53	99201080011	WASHER,8	1	
2-54	99101080011	NUT,8	1	

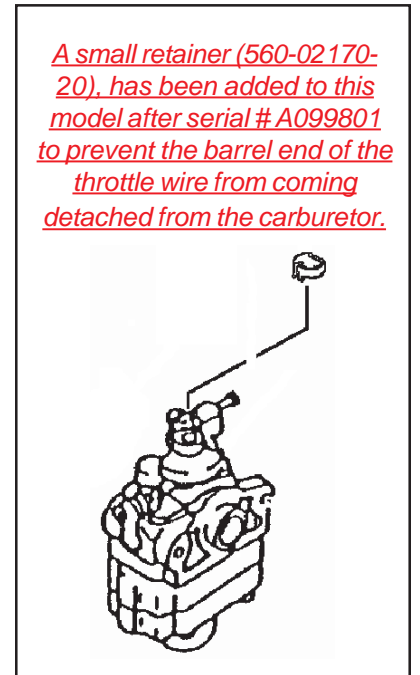
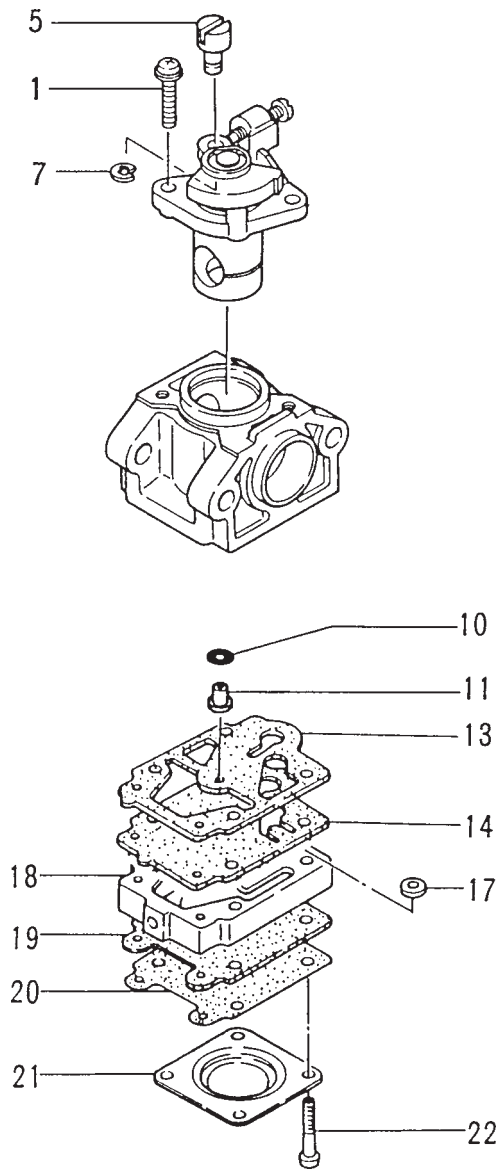


ITEM	PART NUMBER	DESCRIPTION	QTY	COMMENTS
3-25	4030300220	GASKET,INTAKE	1	Includes gasket
3-26	4040300291	INSULATOR SET	1	
3-27	99464050254	BOLT,HEX HOLE,5X25WS	2	
3-30	4020300220	GASKET,CARBURETOR	1	
3-33	99967015000	O-RING,P15	1	
3-35	4230650081	BODY,CLEANER	1	
3-36	47006500200	COLLAR	2	
3-37	5280300220	VALVE,CHOKE	1	
3-38	99204080030	WASHER,8	1	
3-39	47601700200	BOARD,BLOW OVER CHECK	1	
3-40	99210050012	WASHER,S,5	2	
3-41	99011050602	SCREW,5X60	2	
3-43	4460650021	ELEMENT	1	Includes gasket
3-44	4520650091	COVER,CLEANER,W/BOLT	1	
3-45	3800637C200	BOLT,CLEANER COVER	1	
3-46	4550300290	SET,CARBURETOR	1	
3-50	2230700090	FUEL PIPE ASSY	1	
3-51	68000731201	CLIP 6.3	1	
3-52	6750404280	FILTER,FUEL	1	~C226140 C226141~
3-53	5910300220	TANK,FUEL,ORANGE	1	
3-53	5910301620	TANK,FUEL,WHITE	1	
3-54	5950300290	CAP,TANK (BLACK/RED)	1	
3-55	65900801200	COLLAR	2	
3-58	99463050185	BOLT,HEX 5X18PS	2	
3-61	5600712020	SWIVEL CAP	1	A123751~
3-70	44225143800	PUMP,PRIMING ASS'Y	1	
3-77	7000250408	PIPE,FUEL,2.5x4x80	1	
3-78	7000250407	PIPE,FUEL,2.5x4x70	1	
3-79	53432710200	GROMMET,FUEL PIPE	1	

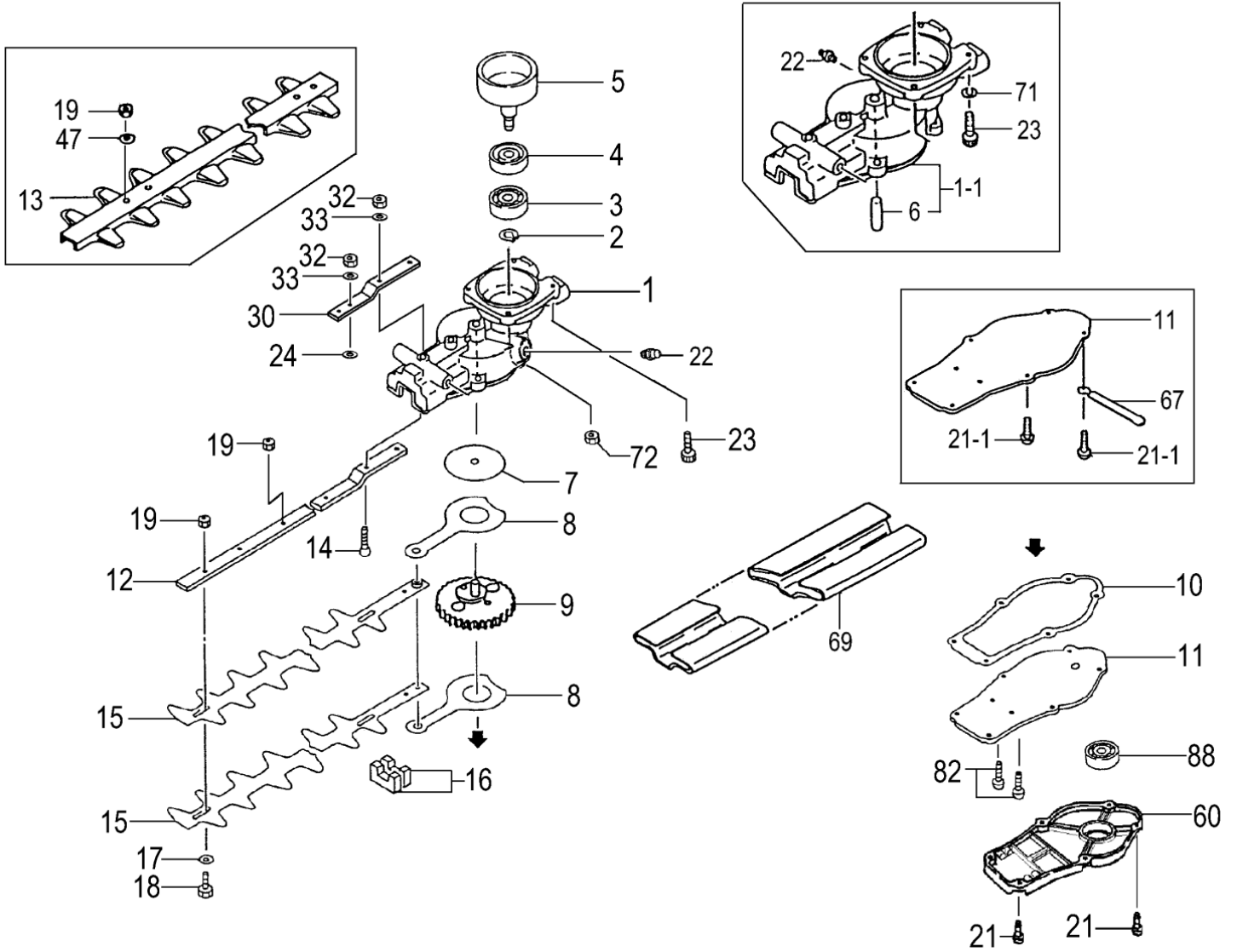


Recoil Starter Assy  
 Use #762.03002.90  
 Includes items #11-#19

ITEM	PART NUMBER	DESCRIPTION	QTY	COMMENTS
4-3	7380300221	PROTECTOR,MUFFLER	1	See Bulletin # PI 3121
4-6	7040300290	SET,MUFFLER	1	See Bulletin # PI 3121
4-7	99201060011	WASHER,6	2	
4-8	99053060553	SCREW,HEX.HOLE	2	
4-10	7210440020	PIPE,TAIL	1	See Bulletin # PI 3121 ~Z044250
4-10	7210300320	PIPE,TAIL	1	Z044251~
4-11	1120300280	CASE,FAN	1	
4-12	78006097200	SPRING,RECOIL	1	
4-13	77406097200	PULLEY,STARTER	1	
4-15	8390201020	SCREW,SET	1	
4-16	79806500900	PULLEY,STARTER,ASS'Y	1	
4-17	20306000200	GROMMET,PRIMARY CORD	1	
4-18	78306097200	ROPE,STARTER	1	
4-19	78506410200	HANDLE,STARTER	1	
4-20	99463040154	BOLT,HEX,4X15,PS	3	
4-21	7350300281	SHIELD,HEAT	1	
4-22	7320440020	ARRESTER,SPARK	1	
4-23	99201050011	WASHER,5	1	
4-24	99435040081	SCREW,4X8PS	1	
4-25	99414050081	SCREW,5X8,S	1	
4-47	2770634F901	CLUTCH	1	
4-61	99073045104	SCREW,TAPPING,4.5X10	1	
4-62	99425040128	BOLT,PS,4X12	1	
4-65	79006097200	SPRING,STARTER PAWL	1	
4-66	7880650020	PAWL,STARTER	1	



ITEM	PART NUMBER	DESCRIPTION	QTY	COMMENTS
5-0	4550300290	SET,CARBURETOR	1	Includes gasket
5-1	54825140200	SCREW,THROTTLE SET	2	
5-5	53925120200	SWIVEL	1	Carburetor Repair Kit - 650-25140-900
5-7	48925100200	RING,STOP	1	Gasket/Diaphragm Kit - 652-25140-900
5-10	55025100200	O-RING	1	
5-11	5992001W35	JET,MAIN,#35	1	
5-13	~ ~ ~	GASKET,PUMP	1	~ Contained in Carb Kits
5-14	~ ~ ~	DIAPHRAGM,PUMP	1	
5-17	57825007200	SCREEN,INLET	1	
5-18	5752522580	BODY,PUMP	1	
5-19	~ ~ ~	GASKET,DIAPHRAGM	1	
5-20	~ ~ ~	DIAPHRAGM,METERING	1	
5-21	47625004200	COVER,DIAPHRAGM	1	
5-22	54825101200	SCREW,SET	4	



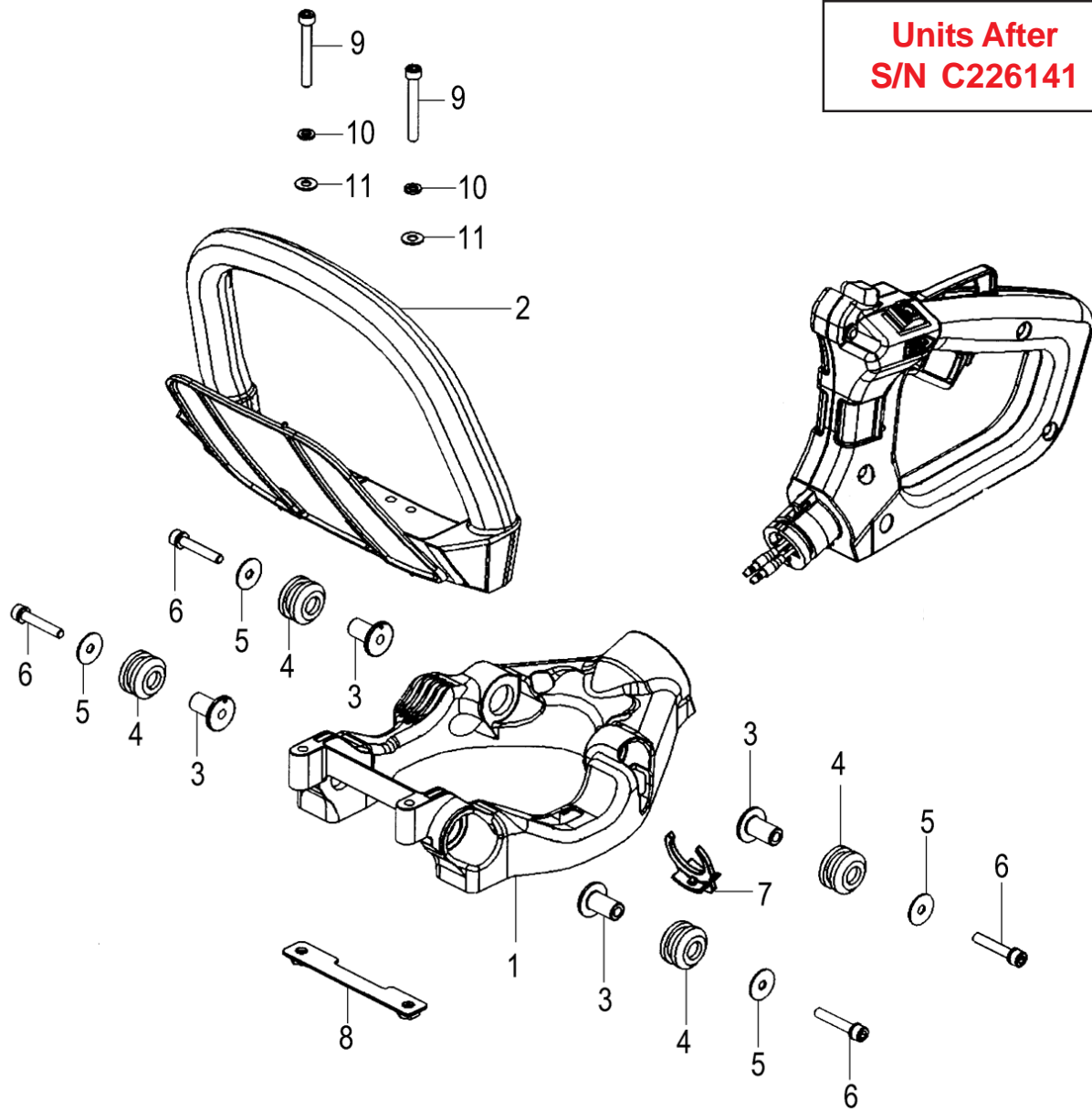


### CLUTCH DRUM, GEAR CASE, BLADES • FIGURE 6

ITEM	PART NUMBER	DESCRIPTION	QTY	COMMENTS
6-1-1	3003316082	GEAR CASE	1	~C226140
6-1	3003329081	CASE,GEAR	1	C226141~
6-2	99350015002	RING,STOP,C-15 EX	1	
6-3	99961600200	BEARING,BALL,#6002	1	
6-4	99961600202	BEARING,BALL,#6002Z	1	
6-5	2883318080	DRUM,CLUTCH	1	
6-6	30533160200	SHAFT,GEAR	1	~C226140
6-7	07533160200	PLATE,GUIDE	1	
6-8	1013316022	ROD,CAM	2	
6-9	3073318020	GEAR,2	1	~C226140
6-9	2923319480	GEAR 2	1	C226141~
6-10	30333160200	GASKET,GEAR CASE	1	
6-11	6303316020	COVER,GEAR CASE	1	~C226140
6-11	6303316520	COVER,GEAR CASE	1	C226141~
6-12	1223316821	BAR,28-7/8"OAL,STANDARD	1	~A319700
6-12	1223324820	BAR,28-7/8"OAL,METRIC	1	A319701~
6-13	1363316020	PLATE,PROTECTION	1	~A319700
6-14	99052060165	BOLT,HEX,6X16	2	~C226140
6-14	99052060255	BOLT,HEX FLUSH,6X25	2	C226141~
6-15	CB-22A	BLADE,A,DS,26"	2	
6-16	08533160200	SEAL,GREASE A	2	
6-17	12933202201	WASHER,7	5	
6-18	1243320221	BOLT,CUTTER FIXING,A	5	~A319700
6-18	1243228720	BOLT,FIXING,A,M6	5	A319701~
6-19	1233317A20	NUT,SPECIAL	5	~A319700
6-19	40927	NUT,FLANGE,6	5	From A319701 to C226140
6-19	40927	NUT,FLANGE,6	4	C226141~
2-21-1	99461040104	BOLT,HEX,4X10,S	8	~C226140
6-21	99461040124	BOLT,HEX,4X12	6	C226141~
6-22	30032250801	FITTING,GREASE	1	
6-23	99051060143	BOLT,HEX,6X14	2	~A319700
6-23	99461060184	BOLT,HEX,6x18S	2	A319701~
6-24	87132600200	WASHER,SPECIAL,B	1	C226141~
6-30	4623329020	PLATE,SUPPORT	1	C226141~
6-32	99187060001	NUT	3	C226141~
6-33	99201060011	WASHER,6	3	C226141~
6-47	99201060011	WASHER,6	3	Z044251~
6-47	99101060011	NUT,6	3	~A319700
6-60	3013316021	CASE,GEAR B	1	C226141~
6-67	19805015800	CLAMP,CORD	1	~C226140
6-69	1383317120	COVER,CUTTER,26"	1	
6-71	99210060012	WASHER,S,6	2	~A319700
6-72	99440060011	NUT,SPRING 6	2	
6-82	99461040104	BOLT,HEX,4X10,S	2	C226141~
6-88	99961608013	BEARING,BALL,#608Z	1	C226141~

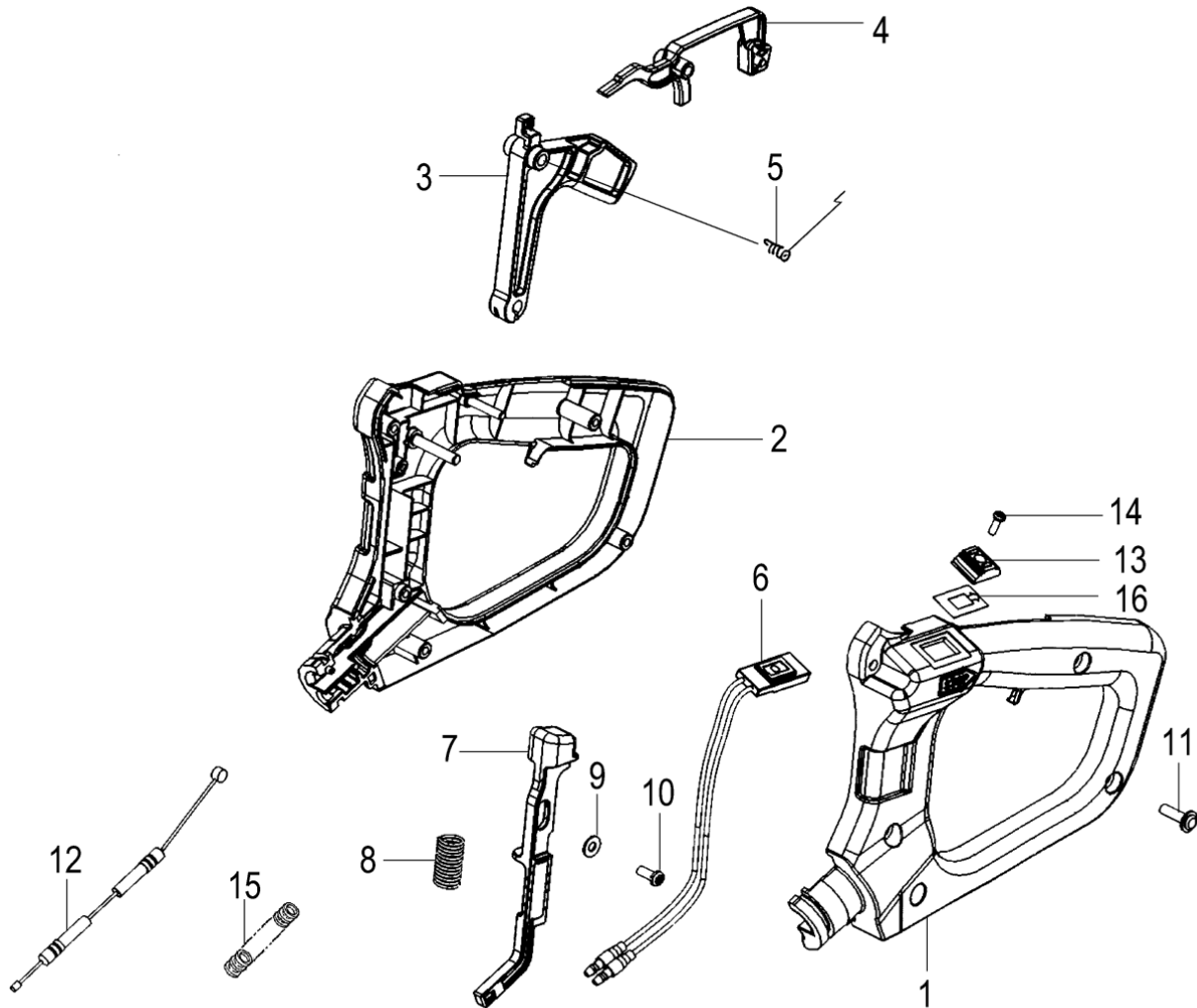


ITEM	PART NUMBER	DESCRIPTION	QTY	COMMENTS
7-25	05033160200	HANDLE,A	1	Units before S/N C226141
7-26	17033160800	SWITCH,STOP	1	
7-27	2581165020	BUTTON,STOP	1	
7-28	99011030101	SCREW,3X10	1	
7-29	23033160200	LEVER,THROTTLE	1	
7-30	23133160200	LEVER,SAFETY	1	
7-31	23233160200	SPRING,THROTTLE LEVER	1	
7-33	05133160200	HANDLE,B	1	
7-35	7653212020	CAP	1	
7-36	99072045164	SCREW,TAPPING,4.5X16	6	
7-37	05833160200	BRACKET,HANDLE	1	
7-38	99200060011	WASHER,SMALL,6	2	
7-39	99161060012	NUT,WING,6	1	
7-40	99021060501	BOLT,6X50	1	
7-41	26632750200	DAMPER,B	2	
7-42	27632710201	COLLAR,DAMPER B	2	
7-43	36832057200	WASHER,BRAKE SHAFT	2	
7-45	99414050301	SCREW,5X30/S	2	
7-46	2943316021	COLLAR 16	1	
7-47	88506500800	WIRE,THROTTLE	1	
7-48	92533160200	DECAL,STOP BUTTON	1	
7-50	2493316020	BODY,CLAMP A	1	
7-51	27632710201	COLLAR,DAMPER B	2	
7-52	26632750200	DAMPER,B	2	
7-53	36832057200	WASHER,BRAKE SHAFT	2	
7-55	99414050301	SCREW,5X30/S	2	
7-56	99073045124	SCREW,TAPPING,4.5X12	2	
7-57	2503316020	BODY,CLAMP,B	1	
7-58	99073045124	SCREW,TAPPING,4.5X12	3	
7-61	2103316022	HANDLE,FRONT	1	
7-62	0403316080	SUPPORT,HANDLE	1	
7-63	3683205720	WASHER,5	2	
7-65	99414050401	SCREW,5X40/S	2	
7-73	16407007000	TUBE,PROTECTION,7X700	1	

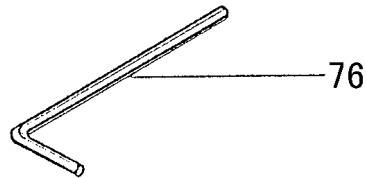
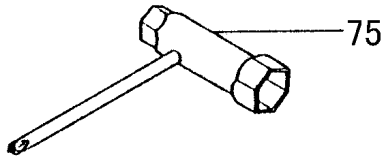
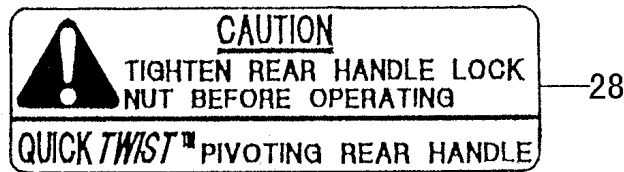
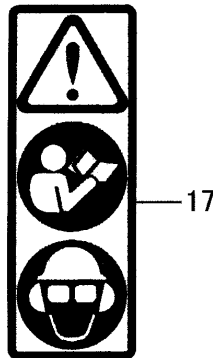
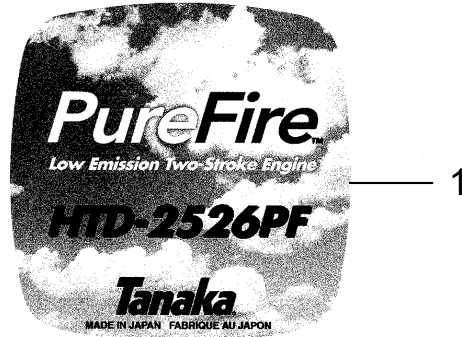


Units After  
S/N C226141

ITEM	PART NUMBER	DESCRIPTION	QTY	COMMENTS
8-1	2603329020	FRAME,HANDLE	1	Units after S/N C226141
8-2	2103316022	HANDLE,FRONT	1	
8-3	27632710201	COLLAR,DAMPER B	4	
8-4	26632750200	DAMPER,B	4	
8-5	36832057200	WASHER,BRAKE SHAFT	4	
8-6	99461050304	BOLT,HEX,5X30S	4	
8-7	5053319620	CLIP	1	
8-8	0403316080	SUPPORT,HANDLE	1	
8-9	99051050403	BOLT,HEX,5X40	2	
8-10	99210050062	WASHER,S,5	2	
8-11	36832057200	WASHER,5	2	



ITEM	PART NUMBER	DESCRIPTION	QTY	COMMENTS
9-1	0513329020	HANDLE,B	1	Units after S/N C226141~
9-2	0503329020	HANDLE,A	1	
9-3	2303329020	LEVER,THROTTLE	1	
9-4	2313329020	LEVER,SAFETY	1	
9-5	23233160200	SPRING,THROTTLE LEVER	1	
9-6	1703324780	BUTTON,STOP	1	
9-7	2333329020	LEVER,LOCK	1	
9-8	2453329020	SPRING	1	
9-9	99201040011	WASHER,4	1	
9-10	99341040101	SCREW,TAPPING,4X10	1	
9-11	99072045164	SCREW,TAPPING,4.5X16	5	
9-12	8853324780	WIRE,THROTTLE	1	
9-13	2581165020	BUTTON,STOP	1	
9-14	99431030101	SCREW,3X10	1	
9-15	1640701501	TUBE,PROTECTION,7x150	1	
9-16	92533160200	DECAL,STOP BUTTON	1	



ITEM	PART NUMBER	DESCRIPTION	QTY	COMMENTS
10-1	9060300321	DECAL,MODEL HTD-2526PF	1	
10-17	9203246620	DECAL,CAUTION	1	
10-28	91933160200	DECAL	1	
10-75	03629331501	SPANNER,COMBI	1	
10-76	81320000200	WRENCH,HEX,4	1	