

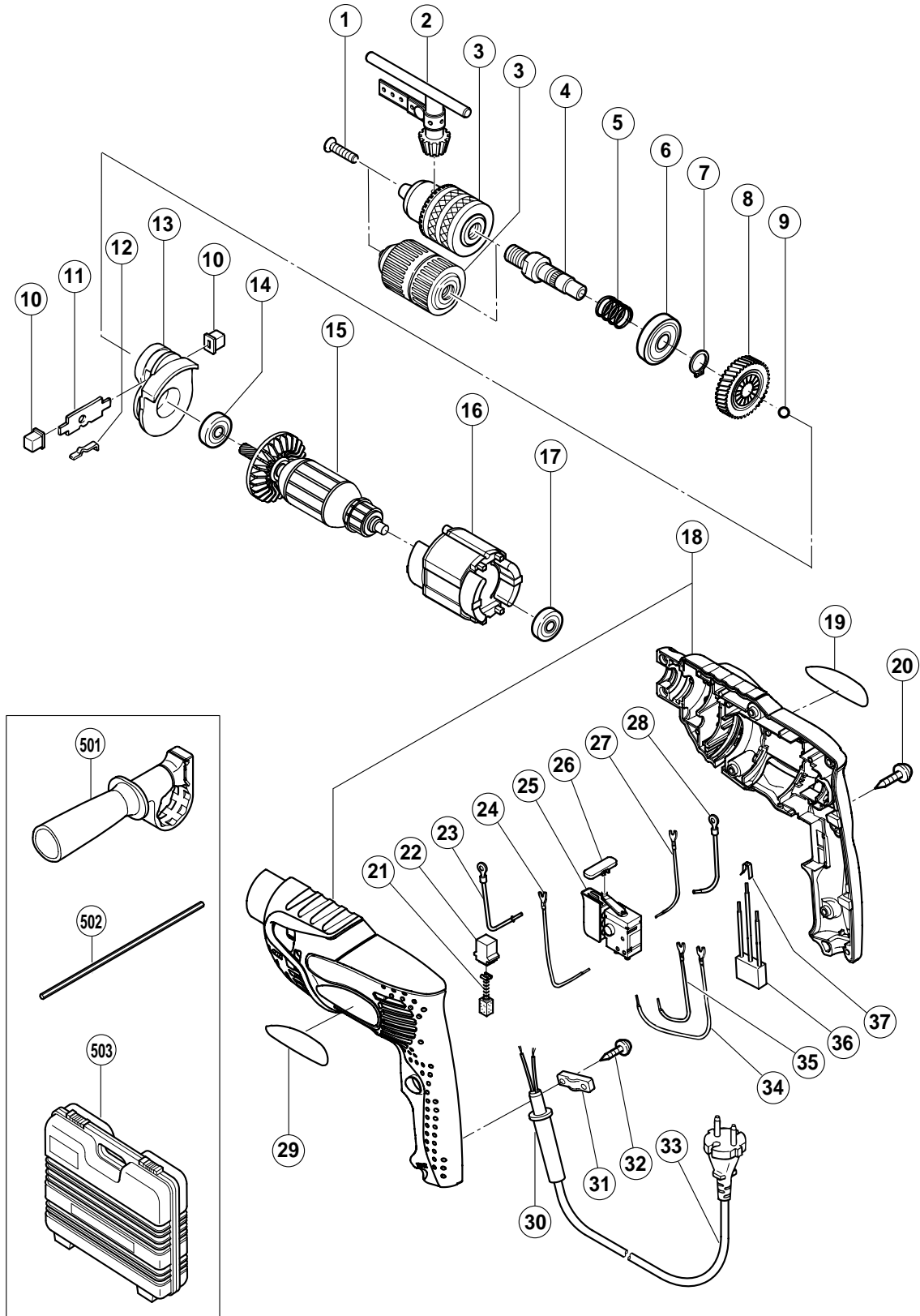
ELECTRIC TOOL PARTS LIST

■ IMPACT DRILL

2004 • 1 • 15

Model FDV 16VB2

(E1)



PARTS

FDV 16VB2

ITEM NO.	CODE NO.	DESCRIPTION	NO. USED	REMARKS
1	995-344	FLAT HD. SCREW (A) (LEFT HAND) M6X25	1	
* 2	987-576	CHUCK WRENCH FOR 13VLB-D,13VLR-D	1	
* 3		DRILL CHUCK 13VLRB-D	1	INCLUD. 2 SUPPLIED WITH ITEM NO. 601
* 3	322-625	DRILL CHUCK 13VLRJ-N (W/O CHUCK WRENCH)	1	
4	316-093	SPINDLE	1	
5	303-651	SPRING	1	
6	620-1VV	BALL BEARING 6201VVCMP2L	1	
7	939-542	RETAINING RING FOR D12 SHAFT (10 PCS.)	1	
8	317-482	GEAR	1	
9	959-149	STEEL BALL D4.76 (10 PCS.)	1	
10	319-604	CHANGE KNOB	2	
11	963-224	CHANGE PLATE	1	
12	963-226	SPRING (A)	1	
13	316-094	HOLDER	1	
14	608-VVM	BALL BEARING 608VVC2PS2L	1	
* 15	360-327U	ARMATURE ASS'Y 110V-120V	1	INCLUD. 14, 17
* 15	360-207E	ARMATURE 220V-230V	1	
* 15	360-207F	ARMATURE 230V-240V	1	FOR KUW, AUS
* 16	340-221	STATOR 100V-120V	1	
* 16	340-222E	STATOR 220V	1	
* 16	340-222F	STATOR 230V-240V	1	
17	626-VVM	BALL BEARING 626VVC2PS2L	1	
* 18	322-421	HOUSING (A).(B) SET (GREEN)	1	
* 18	322-626	HOUSING (A).(B) SET (MOSS GREEN)	1	
* 18	322-423	HOUSING (A).(B) SET (OFF BLACK GREEN)	1	
19		NAME PLATE	1	
20	302-086	TAPPING SCREW (W/FLANGE) D4X20 (BLACK)	7	
21	999-041	CARBON BRUSH (1 PAIR)	2	
* 22	930-483	BRUSH HOLDER	2	
* 22	955-203	BRUSH HOLDER	2	FOR USA, CAN
* 23	322-426	CHOKE COIL (BLUE)	1	FOR NZL, AUS, SAF, EUROPE, SUI, GBR (230V), CHN
* 23	322-427	CHOKE COIL (BLUE)	1	FOR TPE
* 23	322-429	INTERNAL WIRE (BLUE)	1	FOR THA, INA, IND, SIN, KUW, HKG, GBR (110V)
* 23	322-420	INTERNAL WIRE (BLUE)	1	FOR USA,CAN
24	322-418	INTERNAL WIRE (WHITE)	1	
25	321-632	SWITCH (1P PILLAR TYPE)	1	
26	321-628	PUSHING BUTTON	1	
27	322-417	INTERNAL WIRE (BLACK)	1	
* 28	322-424	CHOKE COIL (BROWN)	1	FOR NZL, AUS, SAF, EUROPE, SUI, GBR (230V), CHN
* 28	322-425	CHOKE COIL (BROWN)	1	FOR TPE
* 28	322-428	INTERNAL WIRE (BROWN)	1	FOR THA, INA, IND, SIN, KUW, HKG, GBR (110V)
* 28	322-419	INTERNAL WIRE (BROWN)	1	FOR USA, CAN
29		HITACHI LABEL	1	
* 30	307-217	CORD ARMOR D7.2	1	
* 30	303-662	CORD ARMOR D8.8	1	
31	960-266	CORD CLIP	1	
32	305-812	TAPPING SCREW (W/FLANGE) D4X16 (BLACK)	2	
* 33	303-667	CORD	1	
* 33	500-409Z	CORD	1	(CORD ARMOR D8.8) FOR INA, IND, SAF, EUROPE
* 33	500-423Z	CORD	1	(CORD ARMOR D8.8) FOR SIN, KUW
* 33	500-439Z	CORD	1	(CORD ARMOR D8.8) FOR NZL, AUS

PARTS

FDV 16VB2

ITEM NO.	CODE NO.	DESCRIPTION	NO. USED	REMARKS		
*	33	500-435Z	CORD	1	(CORD ARMOR D7.2) FOR HKG, GBR (230V)	
*	33	500-240Z	CORD	1	(CORD ARMOR D8.8) FOR USA, CAN	
*	33	500-447Z	CORD	1	(CORD ARMOR D8.8) FOR SUI	
*	33	500-470Z	CORD	1	(CORD ARMOR D8.8) FOR TPE	
*	33	500-461Z	CORD	1	(CORD ARMOR D8.8) FOR GBR (110V)	
*	33	500-468Z	CORD	1	(CORD ARMOR D7.2) FOR CHN	
	34	322-416 INTERNAL WIRE (GRAY)	INTERNAL WIRE (GRAY)	1		
	35	303-654 INTERNAL WIRE (A) (RED)	INTERNAL WIRE (A) (RED)	1		
*	36	994-273 NOISE SUPPRESSOR	NOISE SUPPRESSOR	1	FOR NZL, AUS, SAF, EUROPE, SUI, TPE, GBR, CHN	
*	37	302-488 EARTH TERMINAL	EARTH TERMINAL	1	FOR NOISE SUPPRESSOR	

STANDARD ACCESSORIES

FDV 16VB2

ITEM NO.	CODE NO.	DESCRIPTION	NO. USED	REMARKS
501	303-659	SIDE HANDLE	1	
502	303-709	DEPTH GAUGE	1	
* 503	315-999	CASE	1	

OPTIONAL ACCESSORIES

ITEM NO.	CODE NO.	DESCRIPTION	NO. USED	REMARKS
601	321-814	DRILL CHUCK 13VLRB-D	1	INCLUD. 602
602	930-515	CHUCK WRENCH 10G	1	
* 603	315-999	CASE	1	
604	879-347	+ DRIVER BIT SET (NO.1, 2, 3) 65L	1	INCLUD. 605-607
605	983-004	+ DRIVER BIT NO. 1 65L	1	
606	983-006	+ DRIVER BIT NO. 2 65L	1	
607	983-011	+ DRIVER BIT NO. 3 65L	1	
608	879-350	- DRIVER BIT SET (4, 5, 6MM) 50L	1	INCLUD. 609-611
609	992-675	- DRIVER BIT (B) 4MMX50	1	
610	992-676	- DRIVER BIT (B) 5MMX50	1	
611	992-677	- DRIVER BIT (B) 6MMX50	1	