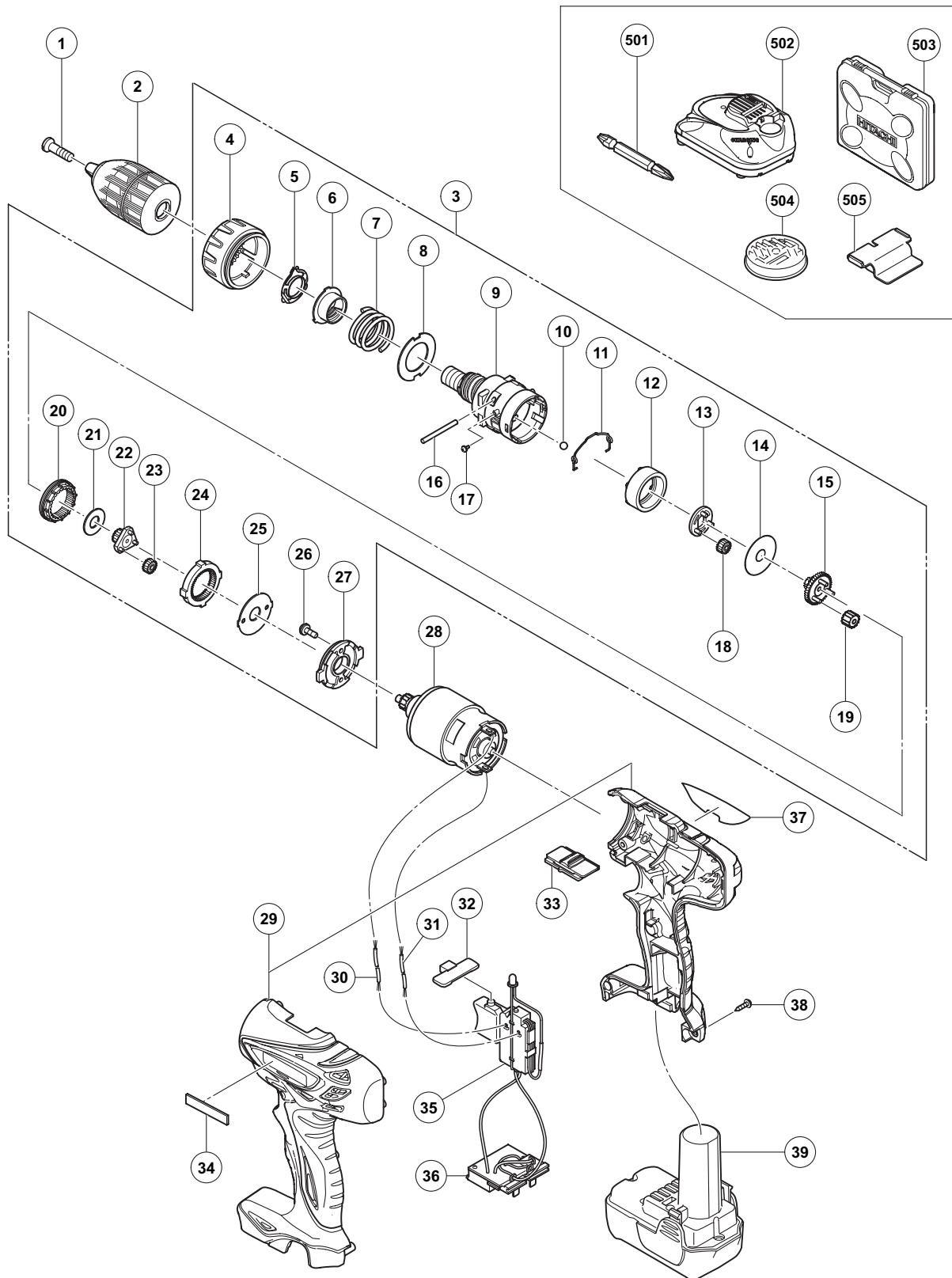


ELECTRIC TOOL PARTS LIST

CORDLESS DRIVER DRILL
Model DS 10DFL

2009·5·27
(E1)



PARTS

DS 10DFL

ITEM NO.	CODE NO.	DESCRIPTION	NO. USED	REMARKS
1	325-616	SPECIAL SCREW (LEFT HAND) (B) M5 X 25	1	
* 2	331-602	DRILL CHUCK 10MM (W/O CHUCK WRENCH)	1	
* 2	331-329	DRILL CHUCK 10MM (W/O CHUCK WRENCH)	1	FOR USA, CAN
3	331-324	GEAR BOX ASS'Y	1	INCLUD. 4-27
4	331-587	CLUTCH DIAL	1	
5	329-579	CLICK SPRING	1	
6	331-582	NUT	1	
7	331-583	SPRING	1	
8	331-584	THRUST PLATE	1	
9	331-585	GEAR CASE	1	
10	306-936	STEEL BALL D5	6	
11	331-586	SHIFT ARM	1	
12	331-592	RING GEAR	1	
13	331-589	CARRIER	1	
14	331-593	WASHER (B)	1	
15	331-590	PINION (C)	1	
16	331-588	NEEDLE	2	
17	330-579	SCREW SET D2 X 3.5 (2 PCS.)	2	
18	331-591	PLANET GEAR (C) SET (3 PCS.)	3	
19	331-595	PLANET GEAR (B) SET (3 PCS.)	3	
20	331-594	SLIDE RING GEAR	1	
21	331-599	WASHER (C)	1	
22	331-596	PINION (B)	1	
23	331-597	PLANET GEAR (A) SET (3 PCS.)	3	
24	331-598	FIRST RING GEAR	1	
25	331-600	WASHER (A)	1	
26	949-203	MACHINE SCREW M3 X 8 (10 PCS.)	2	
27	331-601	MOTOR SPACER	1	
28	331-333	MOTOR DC12V	1	
* 29	331-326	HOUSING (A). (B)SET (GREEN)	1	
* 29	331-328	HOUSING (A). (B) SET (RED)	1	
30		INTERNAL WIRE (RED)	1	
31		INTERNAL WIRE (BLACK)	1	
32	329-548	PUSHING BUTTON (A)	1	
33	331-332	SHIFT KNOB	1	
34	330-719	HITACHI LABEL	1	
35	331-330	DC-SPEED CONTROL SWITCH	1	
36	331-331	CONTROLLER (B)	1	
37		NAME PLATE	1	
38	313-687	TAPPING SCREW (W/FLANGE) D3 X 16 (BLACK)	8	
* 39	331-067	BATTERY BCL 1015 (EUROPE, AUS, NZL)	2	INCLUD. 505
* 39	331-065	BATTERY BCL 1015 (USA, CAN)	2	INCLUD. 505

