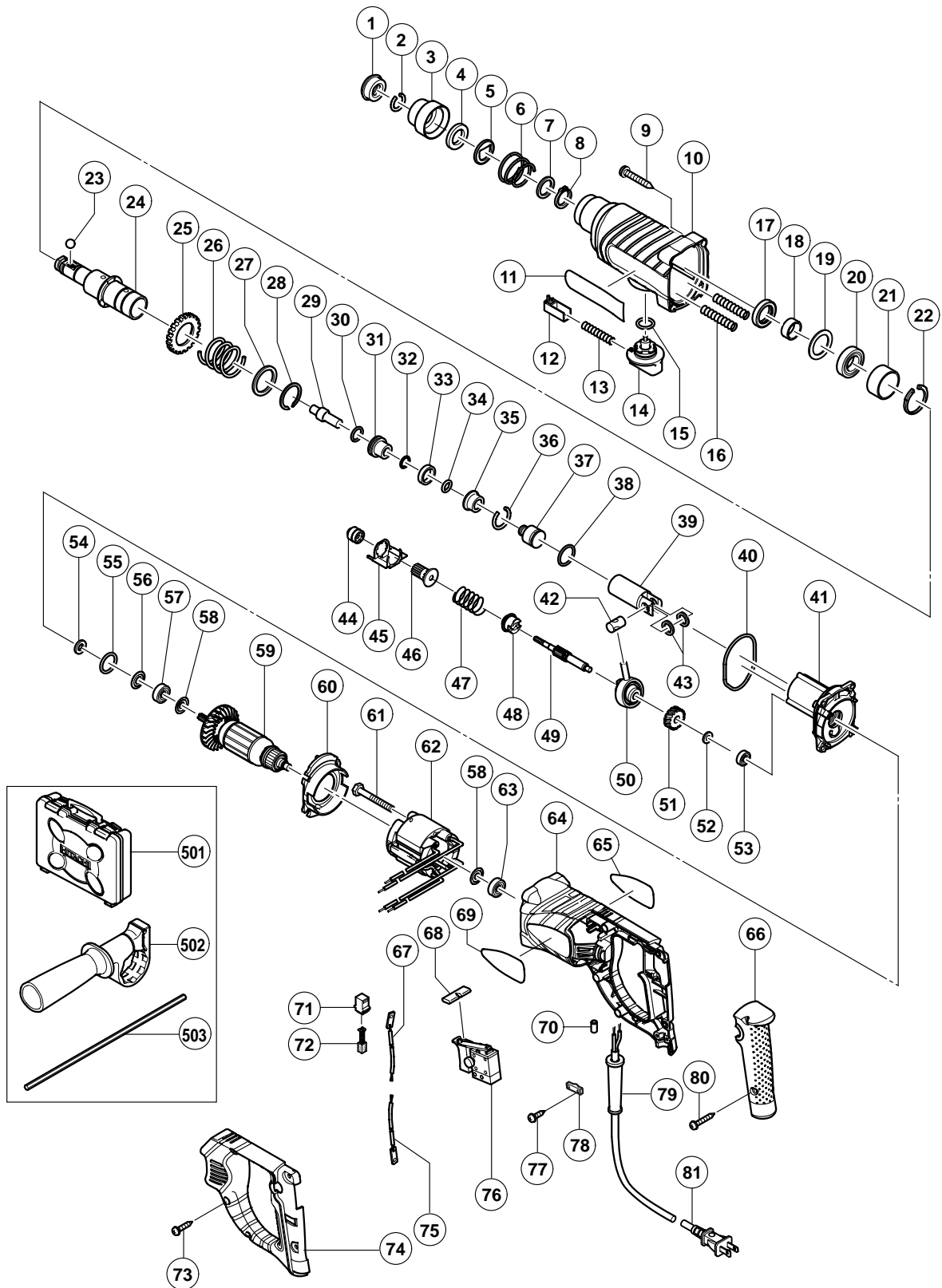


ELECTRIC TOOL PARTS LIST

■ ROTARY HAMMER Model DH 24PF

2004 • 5 • 30

(E1)



PARTS

DH 24PF

ITEM NO.	CODE NO.	DESCRIPTION	NO. USED	REMARKS
1	306-345	FRONT CAP	1	
2	306-340	STOPPER RING	1	
3	322-809	GRIP	1	
4	322-810	BALL HOLDER	1	
5	322-811	HOLDER PLATE	1	
6	322-812	HOLDER SPRING	1	
7	984-118	WASHER (B)	1	
8	939-547	RETAINING RING FOR D20 SHAFT (10 PCS.)	1	
9	301-654	TAPPING SCREW (W/FLANGE) D5X35	4	
10	323-178	GEAR COVER	1	
11		HITACHI LABEL (A)	1	
12	322-789	PUSHING BUTTON	1	
13	317-223	PUSHING SPRING	1	
14	323-179	CHANGE LEVER	1	
15	878-885	O-RING (S-18)	1	
16	317-238	SPRING (B)	2	
17	307-688	OIL SEAL	1	
18	322-815	SLEEVE	1	
19	323-232	FELT PACKING (B)	1	
20	690-4DD	BALL BEARING 6904DDPS2L	1	
21	322-819	SLEEVE (A)	1	
22	322-813	RETAINING RING 37MM	1	
23	959-156	STEEL BALL D7.0 (10 PCS.)	1	
24	323-184	CYLINDER	1	
25	323-185	SECOND GEAR	1	
26	317-233	SPRING (A)	1	
27	317-234	WASHER (A)	1	
28	317-235	RETAINING RING D30	1	
29	322-803	SECOND HAMMER	1	
30	944-486	O-RING (1AP-20)	1	
31	322-804	HAMMER HOLDER	1	
32	322-802	O-RING (B)	1	
33	322-805	DAMPER (A)	1	
34	322-808	O-RING (C)	1	
35	322-806	DAMPER HOLDER	1	
36	322-807	STOPPER RING	1	
37	322-801	STRIKER	1	
38	322-834	O-RING (I.D.16)	1	
39	322-800	PISTON	1	
40	322-793	O-RING (I.D.66.5)	1	
41	322-792	INNER COVER	1	
42	322-798	PISTON PIN	1	
43	322-799	WASHER (C)	2	
44	323-249	PINION SLEEVE	1	
45	318-522	LOCK PLATE	1	
46	323-181	SECOND PINION	1	
47	323-182	CLUTCH SPRING	1	
48	323-183	CLUTCH	1	
49	323-180	SECOND SHAFT	1	
50	306-990	RECIPROCATING BEARING	1	
51	322-797	FIRST GEAR	1	

STANDARD ACCESSORIES

DH 24PF

ITEM NO.	CODE NO.	DESCRIPTION	NO. USED	REMARKS
501	323-129	CASE	1	
502	303-659	SIDE HANDLE	1	
503	310-331	DEPTH GAUGE	1	

OPTIONAL ACCESSORIES

ITEM NO.	CODE NO.	DESCRIPTION	NO. USED	REMARKS
601	980-927	GREASE FOR HAMMER.HAMMER DRILL (500G)	1	
602	981-840	GREASE (A) FOR HAMMER.HAMMER DRILL (30G)	1	
603	308-471	GREASE FOR HAMMER.HAMMER DRILL (70G)	1	
604	306-885	DUST COLLECTOR (B) ASS'Y	1	INCLUD. 605
605	306-910	SOCKET ADAPTER (B)	1	
606	971-787	DUST CUP	1	
607	306-910	SOCKET ADAPTER (B)	1	
608	931-844	STOPPER	1	
609	321-813	DRILL CHUCK 13VLD-D	1	INCLUD. 610
610	303-334	CHUCK HANDLE	1	
611	971-511Z	+ DRIVER BIT (A) NO.2 25L	1	
612	971-512Z	+ DRIVER BIT (A) NO.3 25L	1	
613	944-477	COTTER	1	
614	982-684	CENTER PIN (A) 109L FOR CORE BIT D32-38	1	
615	982-685	CENTER PIN (B) 104L FOR CORE BIT D45-90	1	
616	982-672	CORE BIT (A) 25MM	1	
617	982-673	CORE BIT (A) 29MM	1	
618	982-674	CORE BIT (A) 32MM	1	INCLUD. 619
619	982-686	GUIDE PLATE (FOR CORE BIT 32MM)	1	
620	982-675	CORE BIT (A) 35MM	1	INCLUD. 621
621	982-687	GUIDE PLATE (FOR CORE BIT 35MM)	1	
622	982-676	CORE BIT (A) 38MM	1	INCLUD. 623
623	982-688	GUIDE PLATE (FOR CORE BIT 38MM)	1	
624	982-677	CORE BIT (B) 45MM	1	INCLUD. 625
625	982-689	GUIDE PLATE (FOR CORE BIT 45MM)	1	
626	982-678	CORE BIT (B) 50MM	1	INCLUD. 627
627	982-690	GUIDE PLATE (FOR CORE BIT 50MM)	1	
628	971-794	ANCHOR SETTING ADAPTER A W1/4" (MANUAL)	1	
629	971-795	ANCHOR SETTING ADAPTER A W5/16" (MANUAL)	1	
630	971-796	ANCHOR SETTING ADAPTER A W3/8" (MANUAL)	1	
631	971-797	ANCHOR SETTING ADAPTER A W1/2" (MANUAL)	1	
632	971-798	ANCHOR SETTING ADAPTER A W5/8" (MANUAL)	1	
633	971-799	ANCHOR SETTING ADAPTER B W1/4" (MANUAL)	1	
634	971-800	ANCHOR SETTING ADAPTER B W5/16" (MANUAL)	1	
635	971-801	ANCHOR SETTING ADAPTER B W3/8" (MANUAL)	1	
636	971-802	ANCHOR SETTING ADAPTER B W1/2" (MANUAL)	1	
637	971-803	ANCHOR SETTING ADAPTER B W5/8" (MANUAL)	1	
638	944-460	TAPER SHANK DRILL BIT D11X100	1	
639	944-461	TAPER SHANK DRILL BIT D12.3X110	1	
640	993-038	TAPER SHANK DRILL BIT D12.7X110	1	
641	944-462	TAPER SHANK DRILL BIT D14.3X110	1	

