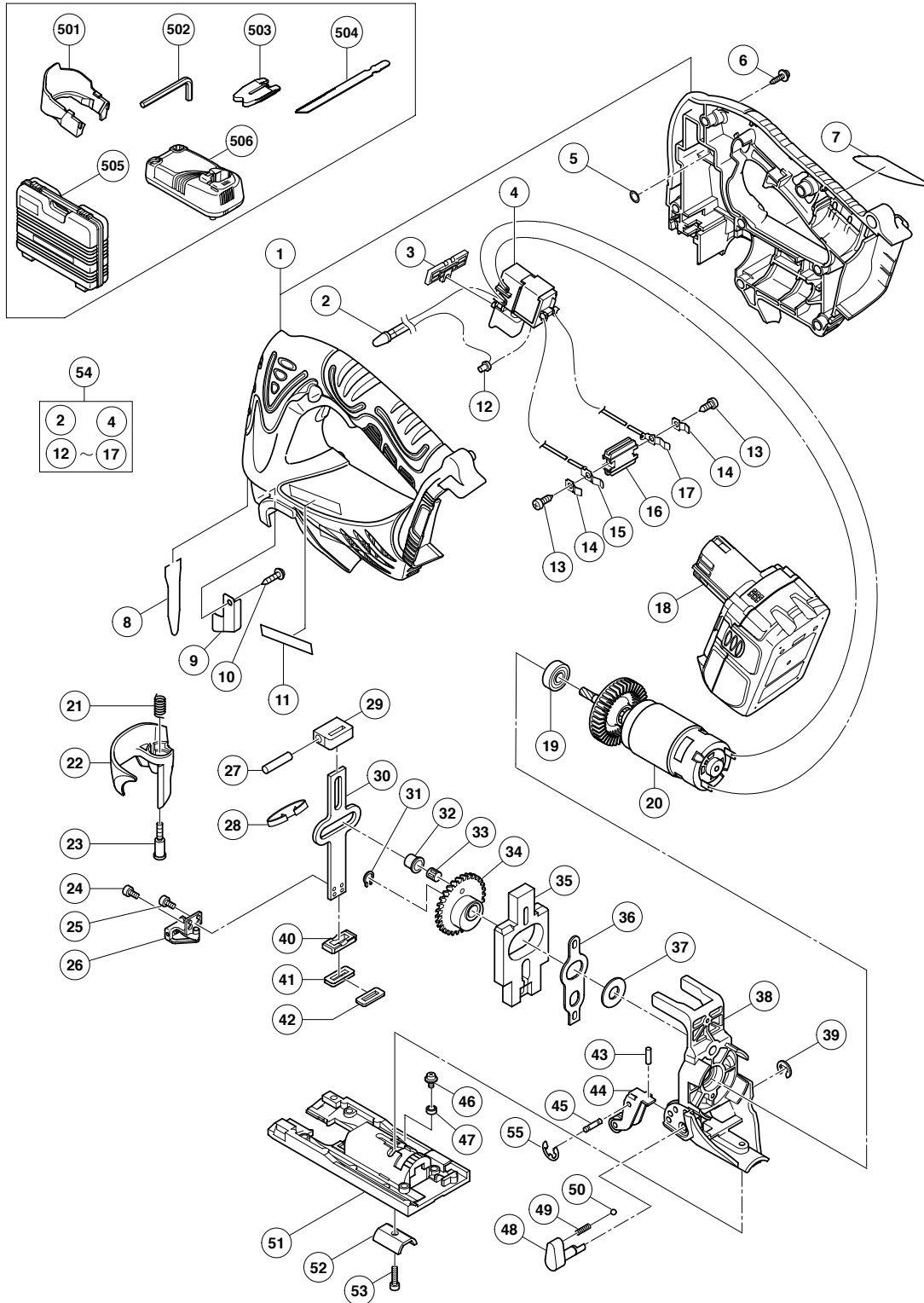


ELECTRIC TOOL PARTS LIST

■ CORDLESS JIG SAW Model CJ 18DL

2007 · 7 · 25

(E1)



PARTS

CJ 18DL

ITEM NO.	CODE NO.	DESCRIPTION	NO. USED	REMARKS
1	328-362	HOUSING (A).(B) SET	1	
2	328-336	LED	1	
3	319-760	PUSHING BUTTON	1	
4	328-335	DC-SPEED CONTROL SWITCH	1	
5	984-528	O-RING (P-6)	4	
6	301-653	TAPPING SCREW (W/FLANGE) D4X20 (BLACK)	8	
7		NAME PLATE	1	
8	328-349	GUARD BAR	1	
9	321-592	FENCE	1	
10	984-327	TAPPING SCREW (W/SP. WASHER) D3X8	1	
11		HITACHI LABEL	1	
12	959-140	CONNECTOR 50091 (10 PCS.)	1	
13	958-715	TAPPING SCREW D4X10	2	
14	996-118	HOLDER SPRING	2	
15	322-995	TERMINAL	1	
16	320-997	TERMINAL PIECE	1	
17	323-003	TERMINAL	1	
* 18	326-240	BATTERY EBM 1830 (EUROPE, AUS, NZL)	2	
* 18	326-241	BATTERY EBM 1830 (USA, CAN)	1	FOR USA, CAN
	608-VVM	BALL BEARING 608VVC2PS2L	1	
* 20	328-361	MOTOR DC 18V	1	INCLUD. 19
* 20	328-739	MOTOR DC 18V	1	INCLUD. 19 FOR USA, CAN
21	321-580	LEVER SPRING	1	
22	328-347	LEVER	1	
23	328-348	LEVER BOLT	1	
24	325-241	SEAL LOCK HEX. SOCKET HD. BOLT M3X8	1	
25	325-077	SEAL LOCK HEX. SOCKET HD. BOLT M3X6	1	
26	325-076	BLADE HOLDER	1	
27	983-564	PIN D6	1	
28	325-071	PLATE SPRING	1	
29	325-070	PLUNGER HOLDER (A)	1	
30	328-343	PLUNGER	1	
31	994-251	RETAINING RING FOR D7 SHAFT	1	
32	328-342	CONNECTING PIECE	1	
33	325-242	NEEDLE BEARING	1	
34	328-341	GEAR	1	
35	328-340	BALANCE WEIGHT	1	
36	328-339	ORBITAL CAM	1	
37	957-540	WASHER (A)	1	
38	328-328	GEAR HOLDER	1	
39	673-489	RETAINING RING (E-TYPE) FOR D5 SHAFT	1	
40	328-344	PLUNGER HOLDER (B)	1	
41	328-346	PACKING COVER	1	
42	328-345	PACKING	1	
43	328-329	NEEDLE ROLLER	1	
44	328-330	ROLLER HOLDER	1	
45	983-545	NEEDLE ROLLER	3	
46	315-500	MACHINE SCREW (W/WASHER) M4X8 (BLACK)	1	
47	321-576	RUBBER BUSHING	1	
48	328-332	CHANGE KNOB	1	
49	982-454	SPRING (C)	1	

STANDARD ACCESSORIES

CJ 18DL

ITEM NO.	CODE NO.	DESCRIPTION	NO. USED	REMARKS
501	328-352	CHIP COVER	1	
502	944-458	HEX. BAR WRENCH 4MM	1	
503	321-590	TABLE INSERT	1	
504	879-357	JIG SAW BLADE NO. 41 (5 PCS.)	1	
505	328-351	CASE	1	
506		CHARGER (MODEL UC 18YRL)	1	

OPTIONAL ACCESSORIES

ITEM NO.	CODE NO.	DESCRIPTION	NO. USED	REMARKS
601	963-400	JIG SAW BLADES NO. 97 FOR STAINLESS (5 PCS.)	1	
602	879-336	JIG SAW BLADES NO. 11 (5 PCS.)	1	
603	879-337	JIG SAW BLADES NO. 12 (5 PCS.)	1	
604	879-338	JIG SAW BLADES NO. 15 (5 PCS.)	1	
605	879-339	JIG SAW BLADES NO. 16 (5 PCS.)	1	
606	879-340	JIG SAW BLADES NO. 21 (5 PCS.)	1	
607	879-341	JIG SAW BLADES NO. 22 (5 PCS.)	1	
608	321-878	JIG SAW BLADES (LONG) 185L (3 PCS.)	1	
609	321-992	SUB BASE (A) SET (STEEL)	1	INCLUD. 610
610	321-996	SPECIAL BOLT	4	
611	321-593	GUIDE	1	
612	325-149	GREASE (MOLUB-ALLOY NO. 777-1) 75G	1	