

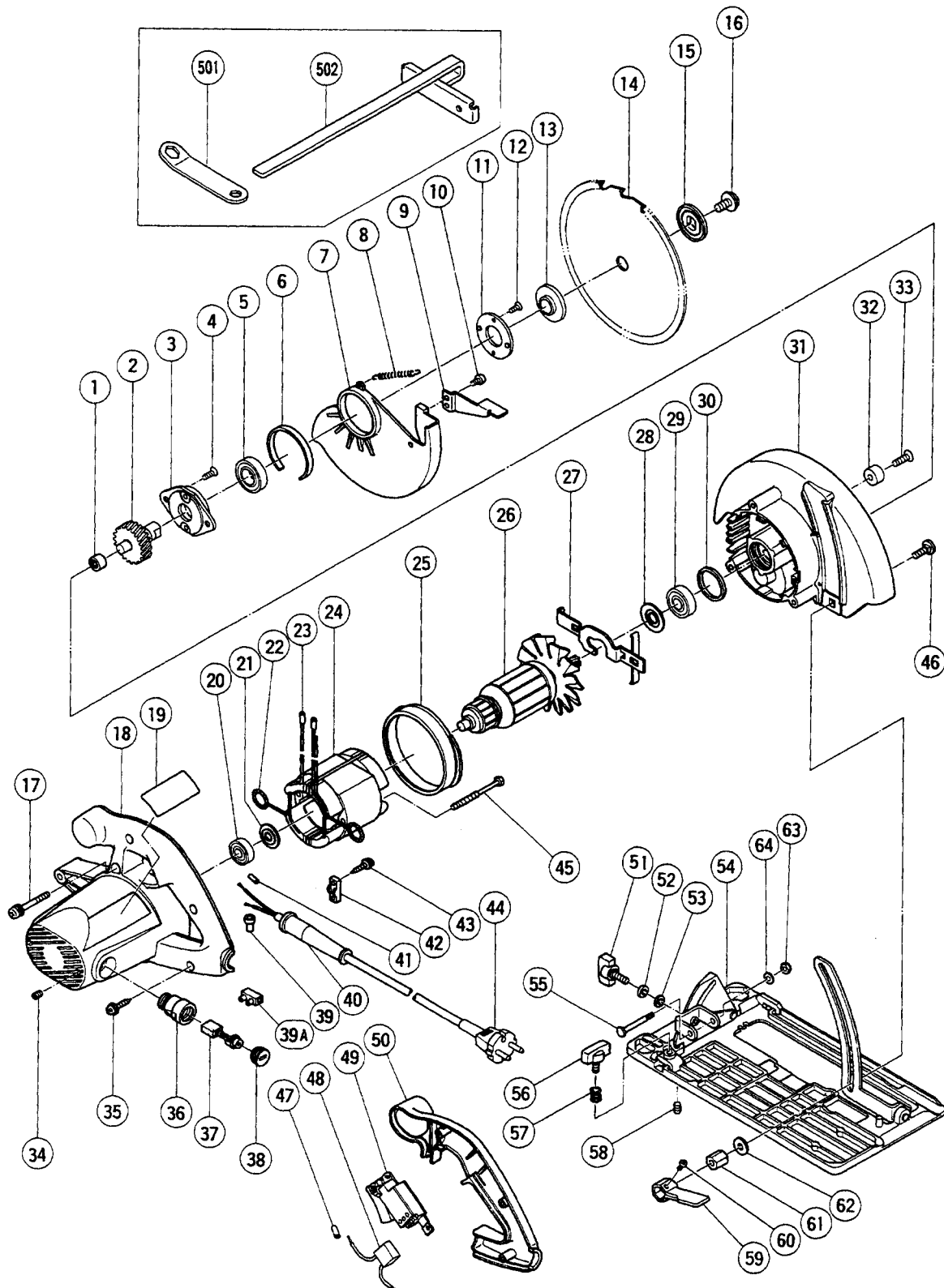
# HITACHI

LIST NO. 0569

## ELECTRIC TOOL PARTS LIST

■ CIRCULAR SAW  
Model C 8

1994 • 3 • 3  
(E2)



## PARTS

C 8

ITEM NO.	CODE NO.	DESCRIPTION	NO. USED	REMARKS
1	982-027	NEEDLE BEARING (HK1010)	1	
2	303-362	SPINDLE GEAR	1	
3	302-433	BEARING HOLDER	1	
4	992-013	SEAL LOCK FLAT HD. SCREW M5X14	2	
5	800-3VV	BALL BEARING 6003VVCMP2S	1	
6	961-807	BUSHING	1	
7	303-361	SAFETY COVER	1	
8	303-364	RETURN SPRING	1	
9	302-426	LEVER	1	
10	949-215	MACHINE SCREW M4X8 (10 PCS.)	1	
11	302-435	BEARING COVER	1	
12	990-430	SEAL LOCK FLAT HD. SCREW M4X10	2	
* 13	303-365	WASHER (A)	1	
* 13	302-443	WASHER (A)	1	FOR USA,CAN
* 14	303-359	TCT SAW BLADE 210MM - D25 HOLE - NT20	1	
* 14	303-358	TCT SAW BLADE 210MM - D16 HOLE - NT20	1	FOR USA,CAN
15	302-423	WASHER (B)	1	
16	302-427	BOLT (W/FLANGE) M8X15.5	1	
17	302-434	MACHINE SCREW (W/WASHERS) M5X45 (BLACK)	3	
18	302-421	HOUSING ASS'Y	1	INCLUD.34,36
19		NAME PLATE	1	
20	800-0VV	BALL BEARING 8000VVCMP2S	1	
21	302-428	WASHER (A)	1	
22	937-623	BRUSH TERMINAL	2	
23	981-373	TUBE (D)	1	
* 24	340-199C	STATOR ASS'Y 110V - 115V	1	INCLUD.22,23
* 24	340-199D	STATOR ASS'Y 120V - 127V	1	INCLUD.22,23
* 24	340-199E	STATOR ASS'Y 220V - 230V	1	INCLUD.22,23
* 24	340-199F	STATOR ASS'Y 240V	1	INCLUD.22,23
* 24	340-199G	STATOR ASS'Y 230V	1	INCLUD.22 FOR NZL
25	302-430	FAN GUIDE	1	
* 26	360-187U	ARMATURE ASS'Y 110V - 115V	1	INCLUD.20,21,28,29
* 26	360-187D	ARMATURE 120V - 127V	1	
* 26	360-187E	ARMATURE 220V - 230V	1	
* 26	360-187F	ARMATURE 240V	1	
27	302-431	LOCK LEVER	1	
28	302-429	DUST WASHER (B)	1	
29	620-1VV	BALL BEARING 6201VVCMP2S	1	
30	302-432	RUBBER RING	1	
31	303-360	GEAR COVER	1	
32	961-729	CUSHION	1	
33	949-794	FLAT HD. SCREW M6X20 (10 PCS.)	1	
34	938-477	HEX. SOCKET SET SCREW M5X8	2	
35	301-653	TAPPING SCREW (W/FLANGE) D4X20 (BLACK)	3	
36	983-362	BRUSH HOLDER	2	
37	999-038	CARBON BRUSH (1 PAIR)	2	
38	961-781	BRUSH CAP	2	
* 39	959-141	CONNECTOR 50092 (10 PCS.)	1	FOR 110V - 120V
* 39	959-140	CONNECTOR 50091 (10 PCS.)	1	FOR 127V - 240V
* 39A	938-307Z	PILLAR TERMINAL	1	FOR USA,AUS
* 40	958-049Z	CORD ARMOR D8.2	1	

\*: ALTERNATIVE PARTS



