

## PNEUMATIC TOOL PARTS LIST

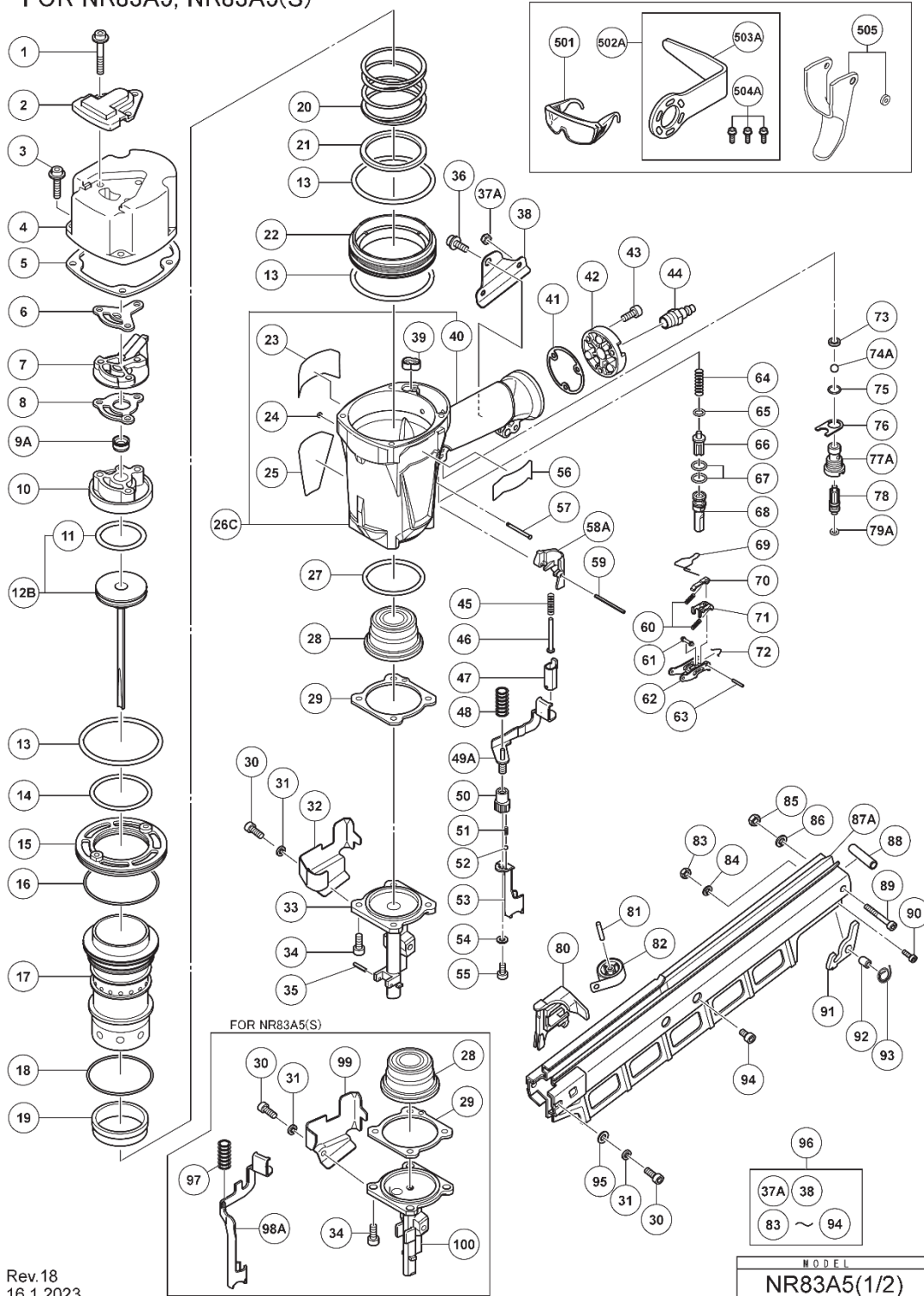
STRIP NAILER

2023 • 02 • 20

Model NR 83A5 / S / S1 / Y

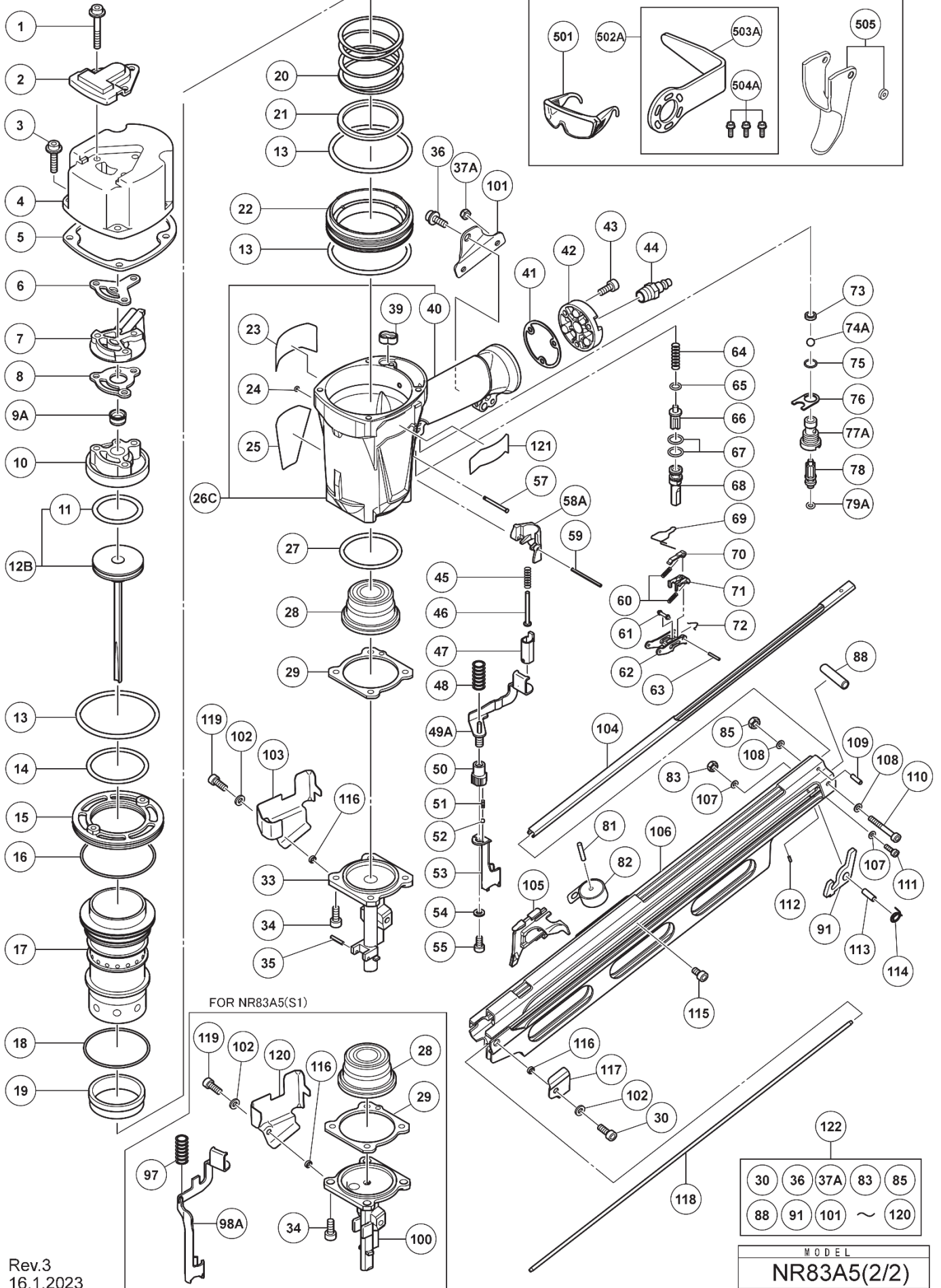
(E3)

FOR NR83A5, NR83A5(S)



Rev.18  
16.1.2023

FOR NR83A5(Y), NR83A5(S1)



Rev.3  
16.1.2023

30	36	37A	83	85
88	91	101	~	120
MODEL				
NR83A5(2/2)				

## PARTS

NR83A5 / S / S1 / Y

ITEM NO.	CODE NO.	DESCRIPTION	NO. USED	REMARKS
1	883509	HEX. SOCKET HD. BOLT (W/FLANGE) M6X45	3	
2	877330	TOP COVER	1	
3	883507	HEX. SOCKET HD. BOLT (W/SP.WASHER) M6X25	4	
4	877324	EXHAUST COVER	1	
5	877325	GASKET (B)	1	
6	877329	GASKET (F)	1	
7	877328	EXHAUST PIECE	1	
8	877854	GASKET (C)	1	
9A	890442	EXHAUST VALVE	1	
10	877307	HEAD CAP AND GASKET SET	1	INCLUD.8
11	877368	O-RING (1AP-48)	1	
12B	890385	EXTENDED LIFE PISTON ASS'Y SET	1	INCLUD.11
13	889112	O-RING	3	
14A	890443	CYLINDER O-RING (I.D 63.1)	1	
15	877318	CYLINDER PLATE	1	
16	877313	CYLINDER O-RING (I.D 79.3)	1	
17	889086	CYLINDER	1	
18	877314	CYLINDER O-RING (I.D 69.3)	1	
19	886483	CYLINDER RING	1	
20	877321	CYLINDER SPRING	1	
21	877322	BASE WASHER	1	
22	889087	CYLINDER GUIDE	1	
23	889107	LABEL	1	
24	883405	O-RING (I.D 1.8)	1	
25	889106	WARNING LABEL	1	
26C	889085	BODY ASS'Y	1	INCLUD.40
27A	890444	CYLINDER O-RING (I.D 63.9)	1	
28	883511	PISTON BUMPER (B)	1	
29	877334	GASKET (A)	1	
**30	888245	NYLOCK HEX. SOCKET HD. BOLT M6X18	2	
**30	888245	NYLOCK HEX. SOCKET HD. BOLT M6X18	1	FOR (Y) (S1)
31	949455	SPRING WASHER M6 (10 PCS.)	2	
**32	884061	GUARD (A)	1	FOR WITH DEPTH ADJUSTMENT TYPE
**33	889108	NOSE (P1)	1	FOR WITH DEPTH ADJUSTMENT TYPE
34	883492	NYLOCK HEX. SOCKET HD. BOLT M8X22	4	
**35	949518	ROLL PIN D3X18 (10 PCS.)	1	FOR WITH DEPTH ADJUSTMENT TYPE
36	883505	NYLOCK BOLT (W/FLANGE) M8X16	1	
37A	890477	NYLON NUT M6	2	
38	884066	HANDLE ARM (B)	1	
39	877327	GASKET (G)	1	
40		GRIP RUBBER	1	SUPPLIED WITH ITEM NO.601.602
41	889080	GASKET (H)	1	
42	889079	CAP (B)	1	
43	949658	HEX. SOCKET HD. BOLT M5X18 (10 PCS.)	3	
44	887863	AIR PLUG NPT 3/8	1	
45	889103	PLUNGER (B) SPRING	1	
46	889102	PLUNGER (B)	1	
47	889099	PUSHING LEVER (C)	1	
**48	884067	SPRING	1	FOR WITH DEPTH ADJUSTMENT TYPE
**49A	889336	PUSHING LEVER (B)	1	FOR WITH DEPTH ADJUSTMENT TYPE
**50	326799	ADJUSTER	1	FOR WITH DEPTH ADJUSTMENT TYPE
**51	880175	ADJUSTER SPRING	2	FOR WITH DEPTH ADJUSTMENT TYPE
**52	959148	STEEL BALL D3.175 (10 PCS.)	2	FOR WITH DEPTH ADJUSTMENT TYPE
**53	888256	PUSHING LEVER (A)	1	FOR WITH DEPTH ADJUSTMENT TYPE
**54	880081	WASHER	1	FOR WITH DEPTH ADJUSTMENT TYPE
**55	888792	HEX. SOCKET HD. BOLT M6X12	1	FOR WITH DEPTH ADJUSTMENT TYPE
56		NAME PLATE	1	
57	889096	TRIGGER PIN	1	
58A	889348	VALVE GUARD	1	
59	887852	ROLL PIN D3X45	1	
60	889094	TRIGGER ARM SPRING	2	
61	889093	CHANGE ROD	1	
62	889091	TRIGGER	1	
63	887856	ROLL PIN D2.5X16	1	
64	886725	PLUNGER SPRING	1	
65	874436	O-RING (P-4)	1	
66	884113	PLUNGER (A)	1	





## STANDARD ACCESSORIES

NR83A5 / S / S1 / Y

ITEM NO.	CODE NO.	DESCRIPTION	NO. USED	REMARKS
501	875769	PROTECTIVE GLASSES	1	
**502A	889661	HOOK ASS'Y	1	INCLUD.503A.504A
**502A	889661M	HOOK ASS'Y	1	INCLUD.503A.504A FOR METABOHPT
503A	889663	HOOK	1	
504A	880219	HEX. SOCKET HD. BOLT (W/FLANGE) M5X16	3	
505	890658	TRIGGER SET	1	CONTACT ACTUATION

## OPTIONAL ACCESSORIES

ITEM NO.	CODE NO.	DESCRIPTION	NO. USED	REMARKS
601	881768	GRIP TAPE (A)	1	
602	888213	TAPE (2 PCS.)	2	