

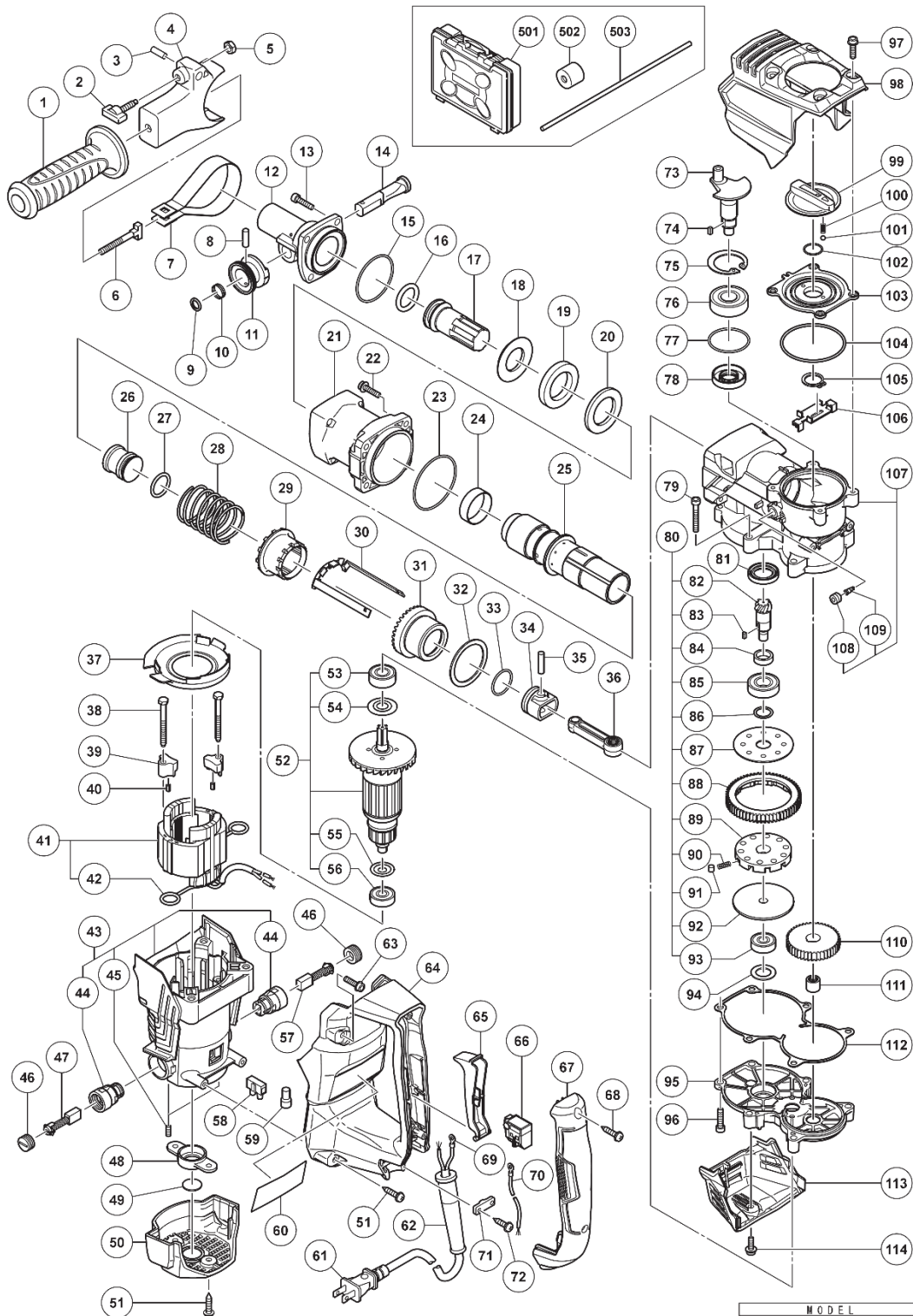
ELECTRIC TOOL PARTS LIST

■ ROTARY HAMMER

Model DH 38YE3

2022 • 10 • 07

(E1)



MODEL
DH38YE3

PARTS

DH38YE3

ITEM NO.	CODE NO.	DESCRIPTION	NO. USED	REMARKS
1	330209	SIDE HANDLE	1	
2	337577	WING BOLT	1	
3	949859	ROLL PIN D2X8 (10 PCS.)	1	
4	371135	MOUNT	1	
5	949556	NUT M6 (10 PCS.)	1	
6	331247	HANDLE BOLT	1	
7	331246	BAND	1	
8	943364	NEEDLE ROLLER D4X20	1	
9	331872	STOP WASHER	1	
10	331871	STOPPER SPRING	1	
11	331870	KNOB	1	
12	379023	FRONT COVER	1	
13	993040	NYLOCK HIGH TENSION BOLT M7X25	4	
14	985372	STOP LEVER (B)	1	
15	331244	O-RING	1	
16	981857	O-RING (C)	1	
17	379024	SECOND HAMMER	1	
18	331865	DAMPER WASHER	1	
19	331864	DAMPER	1	
20	331866	DAMPER HOLDER	1	
21	379027	CYLINDER CASE	1	
22	991712	HEX. SOCKET HD. BOLT (W/FLANGE) M6X25	4	
23	956996	O-RING (1AS-60)	1	
24	981858	VALVE BAND	1	
25	379026	CYLINDER	1	
26	379025	STRIKER	1	
27	986104	O-RING	1	
28	379695	CLUTCH SPRING	1	
29	371137	CLUTCH	1	
30	371147	SLIDER	1	
31	371158	BEVEL GEAR	1	
32	331234	THRUST WASHER	1	
33	986104	O-RING	1	
34	326369	PISTON	1	
35	331221	PISTON PIN	1	
36	376787	CONNECTING ROD	1	
37	371172	FAN GUIDE	1	
38	953174	HEX. HD. TAPPING SCREW D5X55	2	
39	371123	STATOR HOLDER	2	
40	338755	RUBBER BUSH	2	
41	340963D	STATOR ASS'Y 120V	1	INCLUD.42
42	930703	BRUSH TERMINAL	2	
43	371174	HOUSING ASS'Y	1	INCLUD.44.45
44	958900	BRUSH HOLDER	2	
45	938477	HEX. SOCKET SET SCREW M5X8	2	
46	945161	BRUSH CAP	2	
47	999108	CARBON BRUSH (1 PAIR)	1	
48	371139	BEARING HOLDER	1	
49	331547	DUST SEAL	1	
50	371127	TAIL COVER	1	
51	302089	TAPPING SCREW (W/FLANGE) D5X20 (BLACK)	4	
52	361058U	ARMATURE ASS'Y 120V	1	INCLUD.53-56
53	6201DD	BALL BEARING 6201DDCMPS2L	1	
54	325003	DUST WASHER (B)	1	
55	958915	WASHER (A)	1	
56	629VVM	BALL BEARING 629VV	1	
57	999094	CARBON BRUSH (AUTO STOP TYPE) (1 PAIR)	1	
58	938307	PILLAR TERMINAL	1	
59	959141	CONNECTOR 50092 (10 PCS.)	1	
60		NAME PLATE	1	
61	500434Z	CORD	1	
62	958049	CORD ARMOR D8.2	1	
63	994192	HEX. SOCKET HD. BOLT (W/FLANGE) M5X16	2	

PARTS

DH38YE3

ITEM NO.	CODE NO.	DESCRIPTION	NO. USED	REMARKS
64	371129	HANDLE	1	
65	371128	TRIGGER	1	
66	371171	SWITCH	1	
67	371130	HANDLE COVER	1	
68	307028	TAPPING SCREW (W/FLANGE) D4X25 (BLACK)	2	
69	930804	TERMINAL M4.0 (10 PCS.)	1	
70	371149	INTERNAL WIRE	1	
71	960266	CORD CLIP	1	
72	984750	TAPPING SCREW (W/FLANGE) D4X16	2	
73	371136	CRANK SHAFT	1	
74	944109	FEATHER KEY 3X3X8	1	
75	948391	RETAINING RING FOR D40 HOLE	1	
76	6203DD	BALL BEARING 6203DDCMPS2L	1	
77	996363	O-RING (S-40)	1	
78	373199	OIL SEAL (B)	1	
79	986940	SEAL LOCK HEX. SOCKET HD. BOLT M6X45	4	
80	371176	SLIP CLUTCH ASS'Y	1	INCLUD.82-93
81	313050	OIL SEAL (A)	1	
82	331211	BEVEL PINION	1	
83	944109	FEATHER KEY 3X3X8	1	
84	321279	COLLAR	1	
85	6002DD	BALL BEARING 6002DDCMPS2L	1	
86	331213	WASHER	1	
87	331214	WASHER (A)	1	
88	331215	SECOND GEAR	1	
89	321281	GEAR HOLDER	1	
90	321282	SPRING (C)	10	
91	331217	NEEDLE	10	
92	331219	SPACER	1	
93	629VVM	BALL BEARING 629VV	1	
94	331220	BEARING WASHER (C)	1	
95	371124	GEAR COVER	1	
96	992803	SEAL LOCK HEX. SOCKET HD. BOLT M6X20	2	
97	371170	HEX. SOCKET HD. BOLT (W/FLANGE) M5X18	4	
98	379029M	CRANK COVER	1	
99	371134	CHANGE LEVER	1	
100	371168	LEVER SPRING	1	
101	959149	STEEL BALL D4.76 (10 PCS.)	1	
102	878885	O-RING (S-18)	1	
103	379028	LEVER SHAFT HOLDER	1	
104	877315	CYLINDER O-RING (I.D 63.9)	1	
105	939547	RETAINING RING FOR D20 SHAFT (10 PCS.)	1	
106	371146	CHANGE PLATE	1	
107	371173	CRANK CASE ASS'Y	1	INCLUD.108.109
108	371179	CAP SCREW	1	
109	995396	VALVE	1	
110	371162	FIRST GEAR	1	
111	371169	NEEDLE BEARING	1	
112	371143	SEAL PACKING	1	
113	371132	HOOD	1	
114	998471	HEX. SOCKET HD. BOLT (W/FLANGE) M5X12	1	

STANDARD ACCESSORIES

DH38YE3

ITEM NO.	CODE NO.	DESCRIPTION	NO. USED	REMARKS
501	379030	CASE	1	
502	993245	DUST COVER	1	
503	971786	STOPPER ROD	1	

OPTIONAL ACCESSORIES

ITEM NO.	CODE NO.	DESCRIPTION	NO. USED	REMARKS
601	981840	GREASE (A) FOR HAMMER.HAMMER DRILL (30G)	1	
602	308471	GREASE FOR HAMMER.HAMMER DRILL (70G)	1	
603	980927	GREASE FOR HAMMER.HAMMER DRILL (500G)	1	
604	318085	SYRINGE (BELLOWS TYPE)	1	
605	955165	CENTER PIN (A) 133L FOR CORE BIT D38-150	1	
606	985380	CORE BIT 50MM	1	
607	955159	CORE BIT 105MM	1	
608	985379	CORE BIT SHANK D38 (1-1/2") OR ABOVE	1	
609	985383	BULL POINT 300MM (12")	1	
610	985381	COLD CHISEL W25X300L (1"X12")	1	
611	985382	COLD CHISEL W25X460L (1"X18")	1	
612	985384	CUTTER W38X300L (1-1/2"X12")	1	
613	985385	CUTTER W50X300L (2"X12")	1	
614	985386	SCOOP 105X405L (4-1/2"X16")	1	